

[54] POWER BLOWER SWEEPER

[75] Inventor: Fumihiko Aiyama, Oome, Japan

[73] Assignee: Kioritz Corporation, Tokyo, Japan

[**] Term: 14 Years

[21] Appl. No.: 618,672

[22] Filed: Jun. 8, 1984

[30] Foreign Application Priority Data

Dec. 24, 1983 [JP] Japan 55460/1983

[52] U.S. Cl. D32/15

[58] Field of Search D32/15-16, D32/19, 25, 31-33, 34; 15/300 R, 323, 327 C, 341, 344, 405, 408, 410, 412, 143 A, 146

[56] References Cited

U.S. PATENT DOCUMENTS

D. 258,908	4/1981	Satoh	D23/155
D. 263,547	3/1982	Carsello	D32/18
D. 266,587	10/1982	Satoh	D23/155
D. 271,715	12/1983	Kiyooka	D32/15
D. 276,662	12/1984	Zerrer et al.	D32/23
D. 279,319	6/1985	McCloskey et al.	D32/15
4,223,419	9/1980	Sato et al.	15/327 C
4,325,163	4/1982	Mattson et al.	415/121

4,404,706	9/1983	Loyd	15/405
4,461,055	7/1984	Zerrer et al.	15/344

OTHER PUBLICATIONS

Sears, 1980 Spring-Summer, p. 814, Sears Portable Power Blowers.

Primary Examiner—Wallace R. Burke
Assistant Examiner—Ruth E. Takemoto
Attorney, Agent, or Firm—Stevens, Davis, Miller & Mosher

[57] CLAIM

The ornamental design for a power blower sweeper, as shown.

DESCRIPTION

FIG. 1 is a front elevational view of a power blower sweeper showing my new design; FIG. 2 is a rear elevational view thereof; FIG. 3 is a left side elevational view thereof; FIG. 4 is a right side elevational view thereof; FIG. 5 is a top plan view thereof; FIG. 6 is a bottom plan view thereof; and FIG. 7 is a rear, top and right side perspective view thereof with a fan head nozzle attached thereto. The nozzle is omitted in FIGS. 1-6 for ease of illustration only.

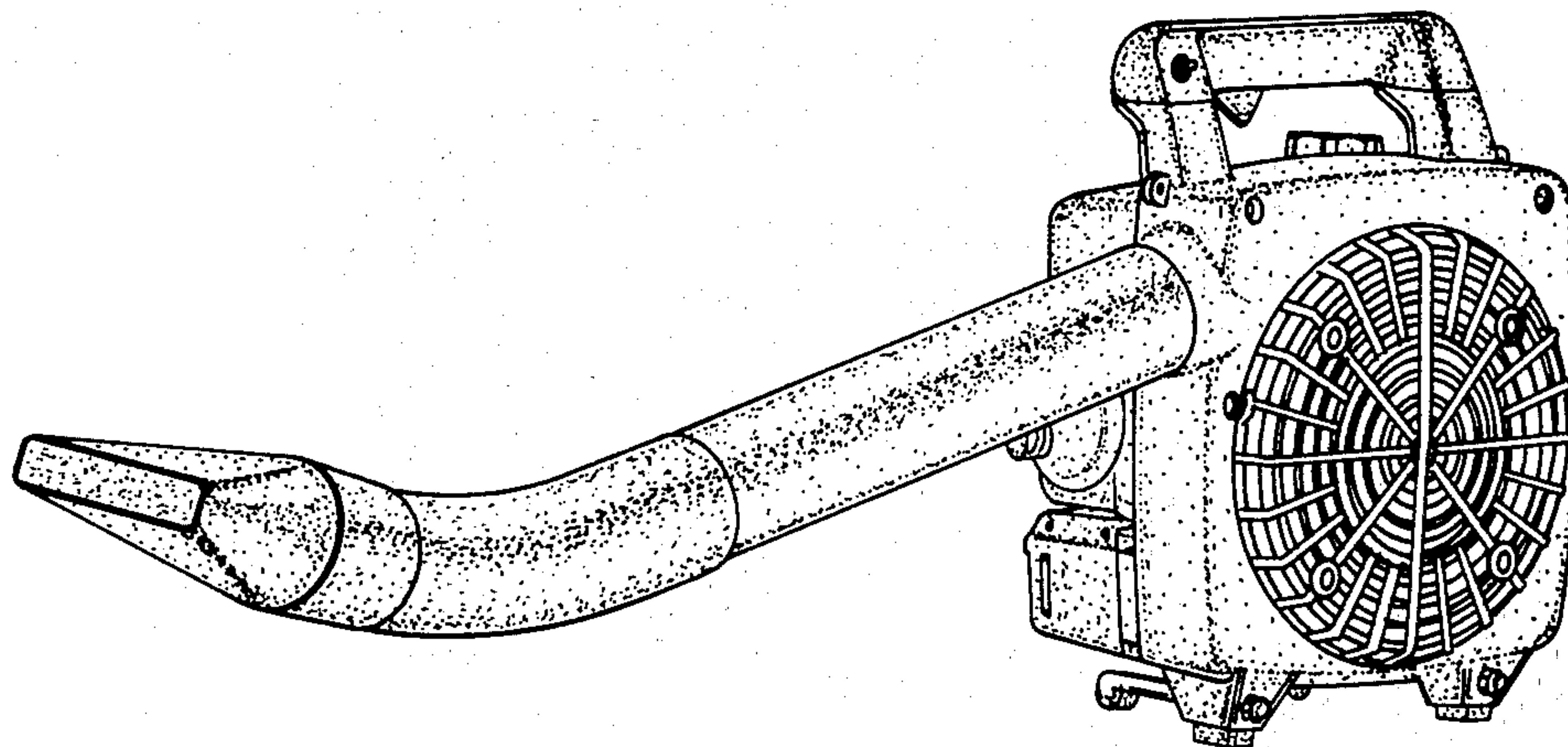


FIG. 1

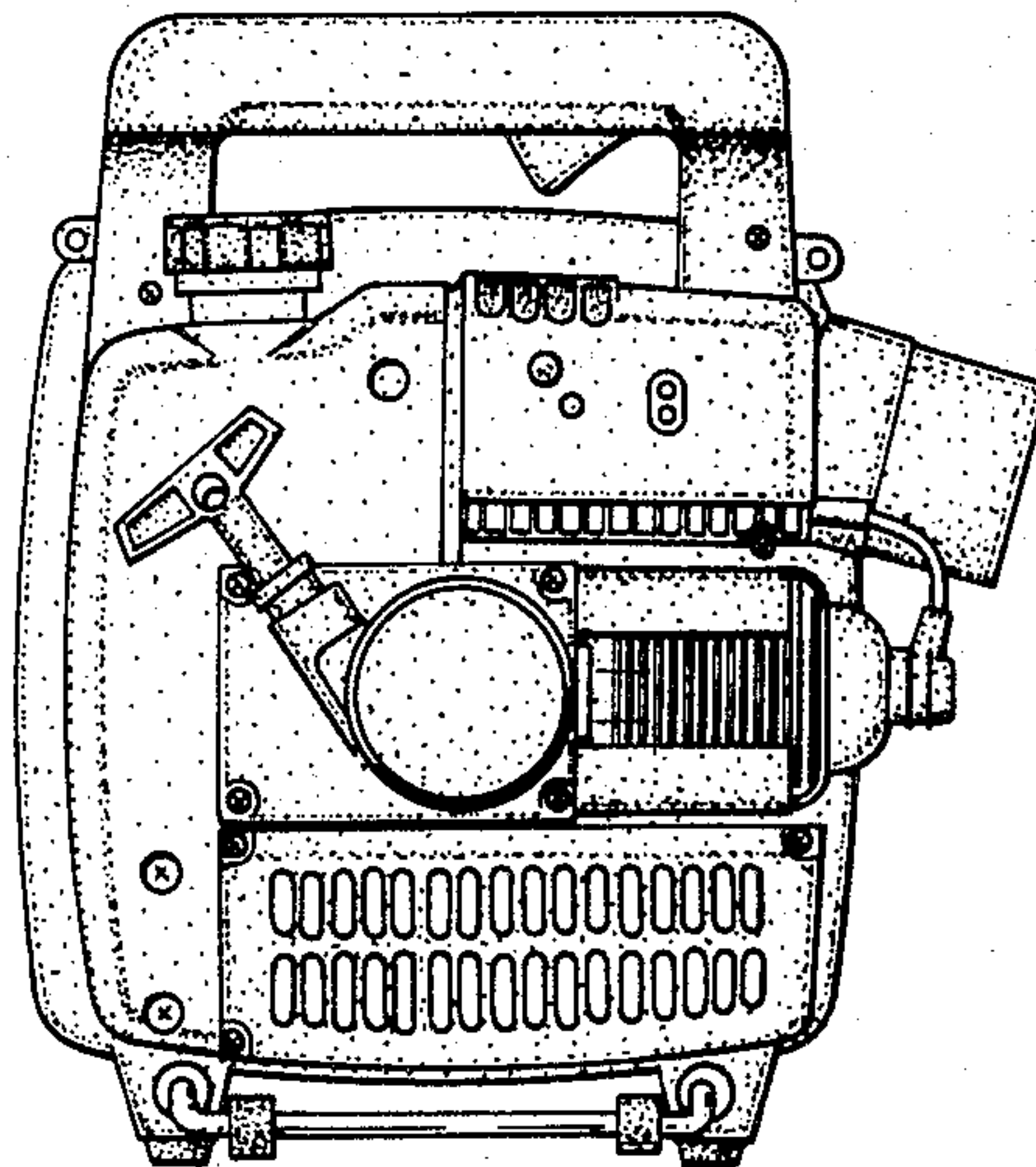


FIG. 2

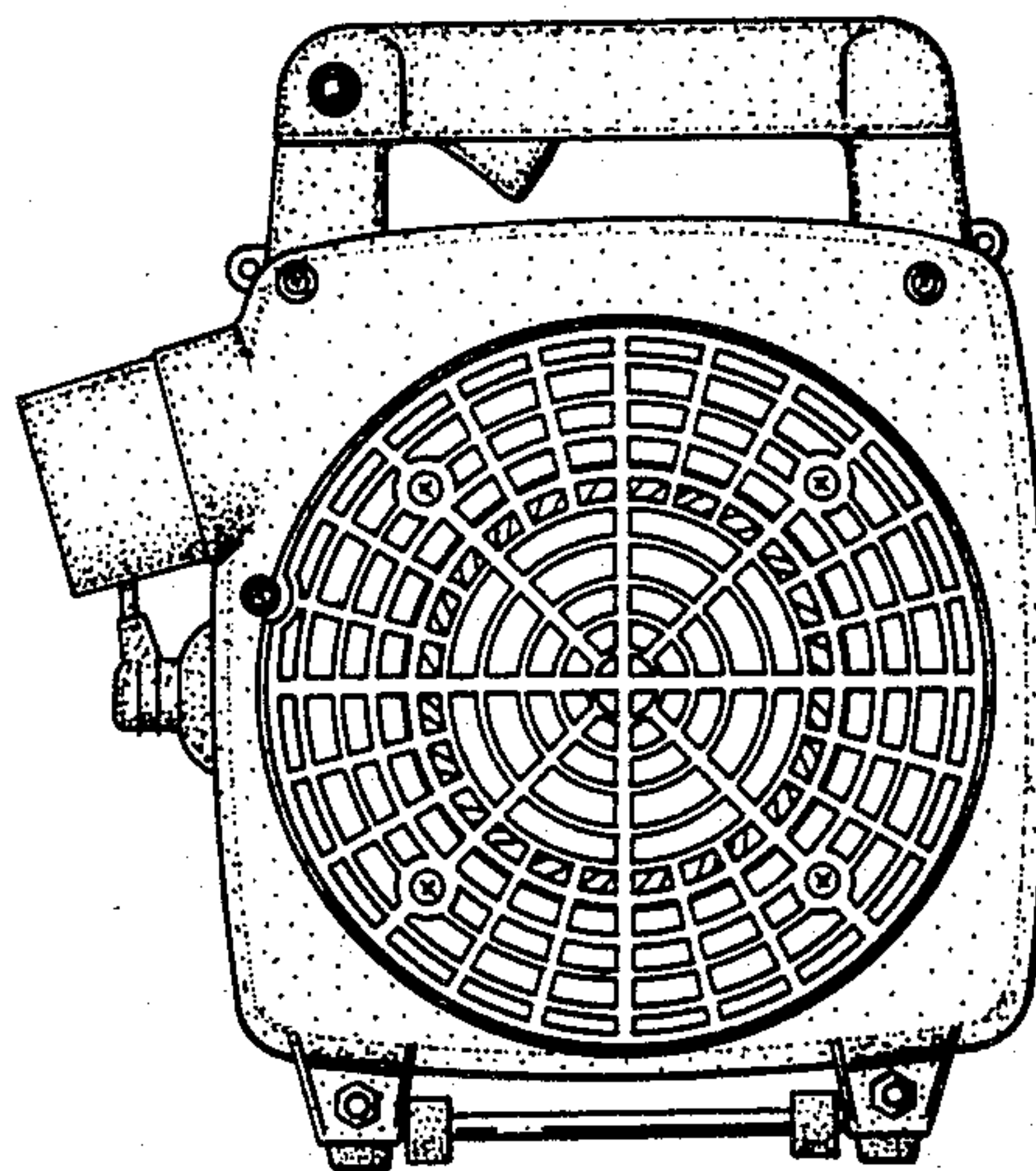


FIG. 3

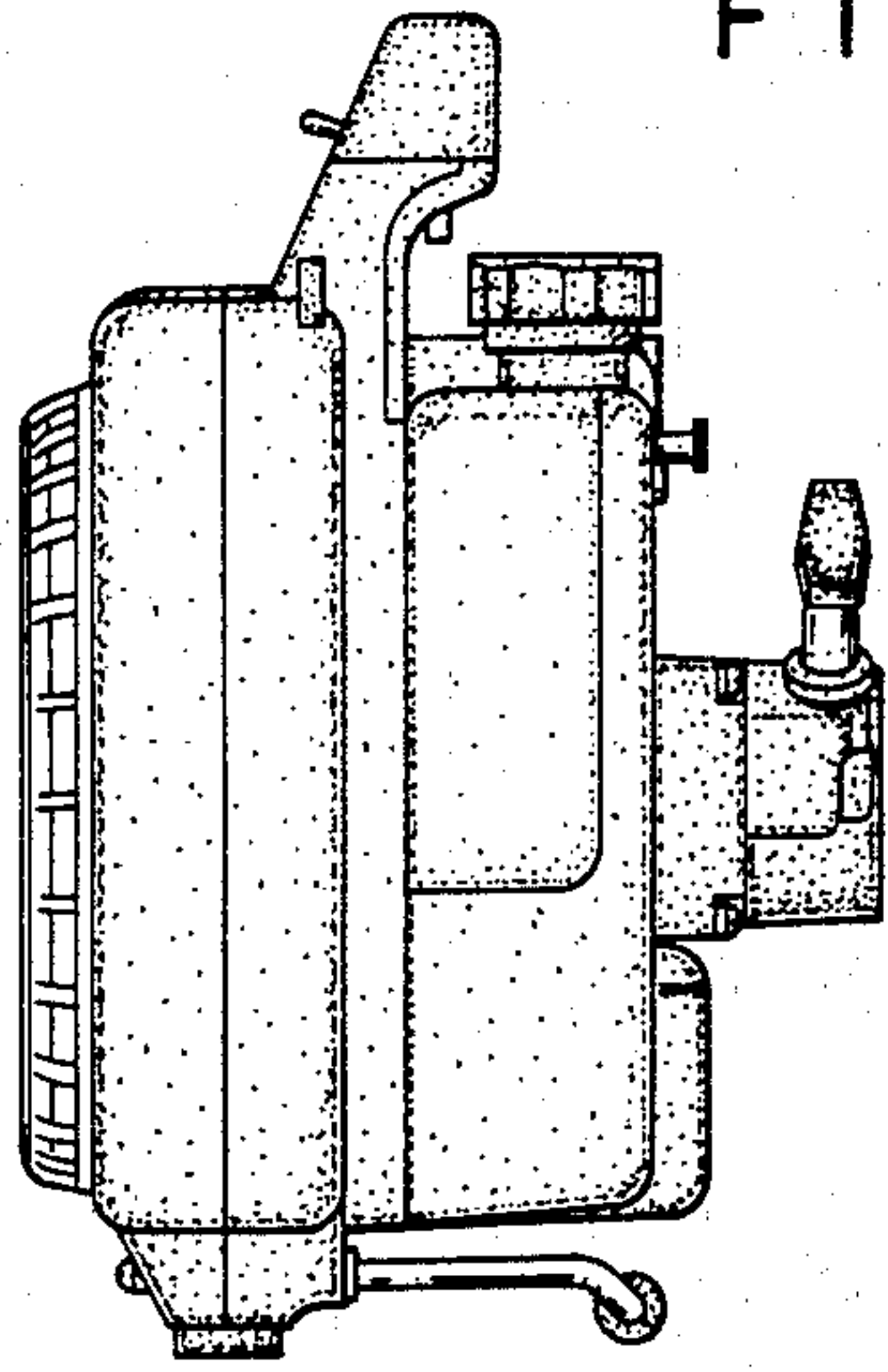


FIG. 4

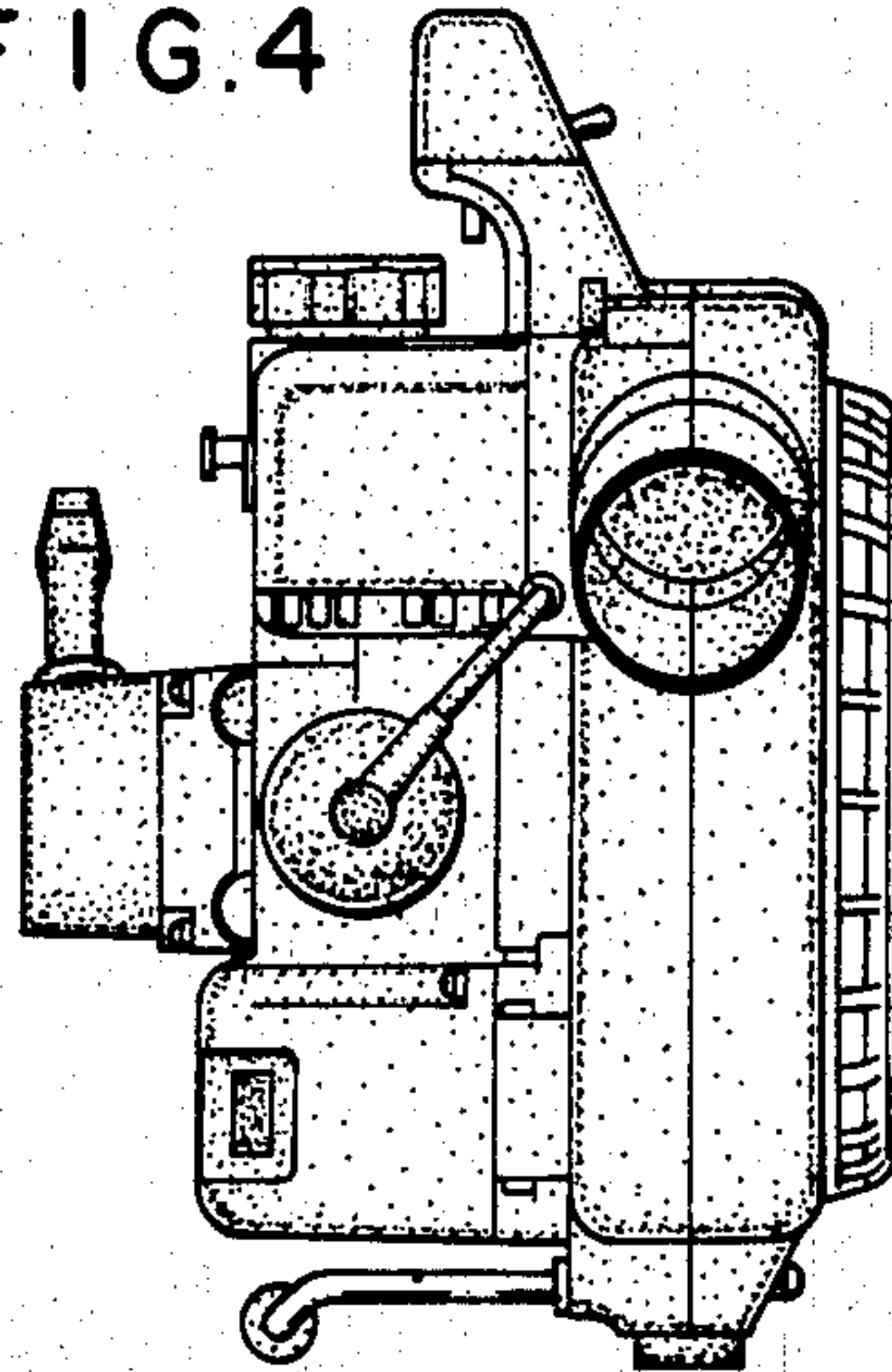


FIG. 5

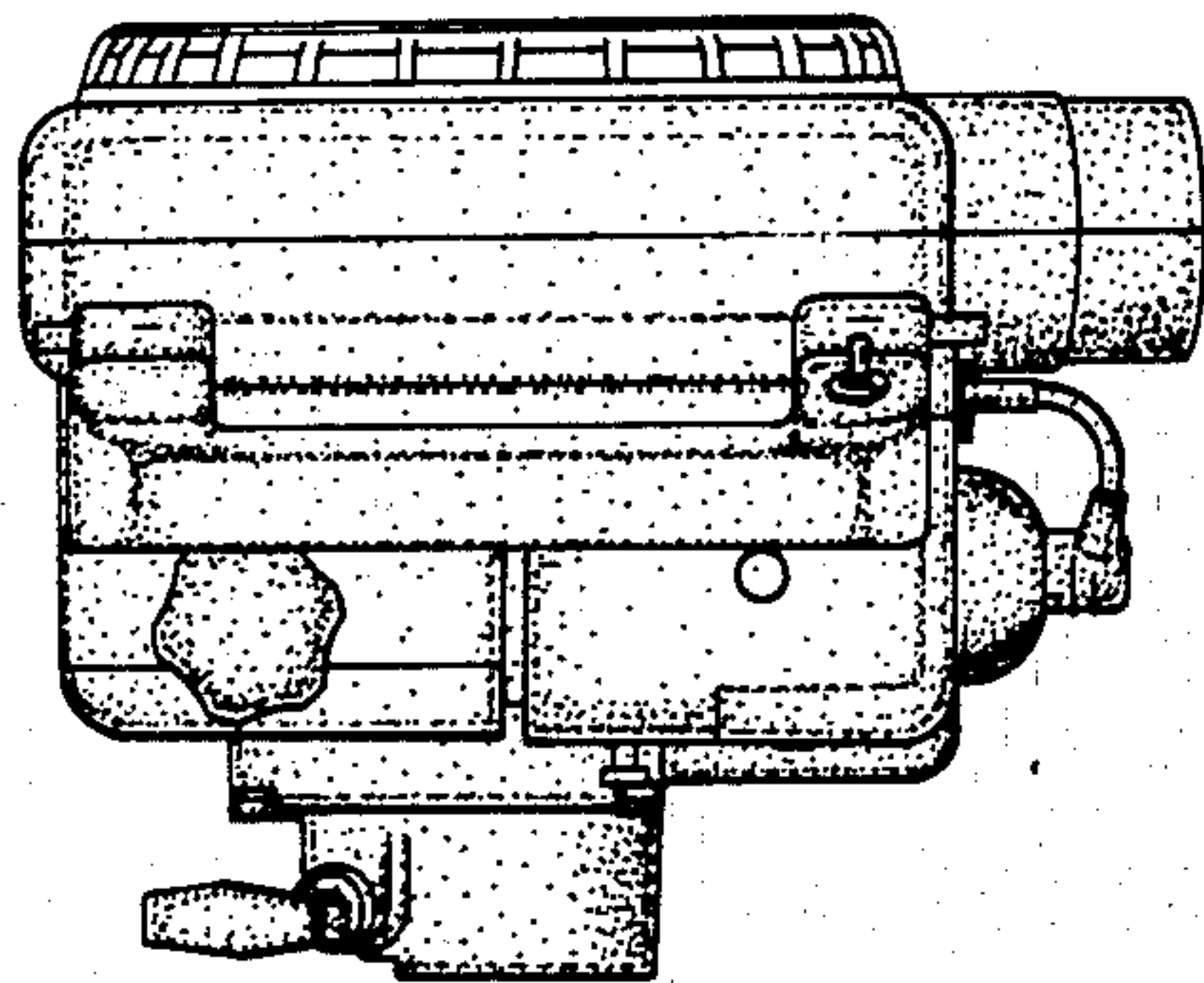


FIG. 6

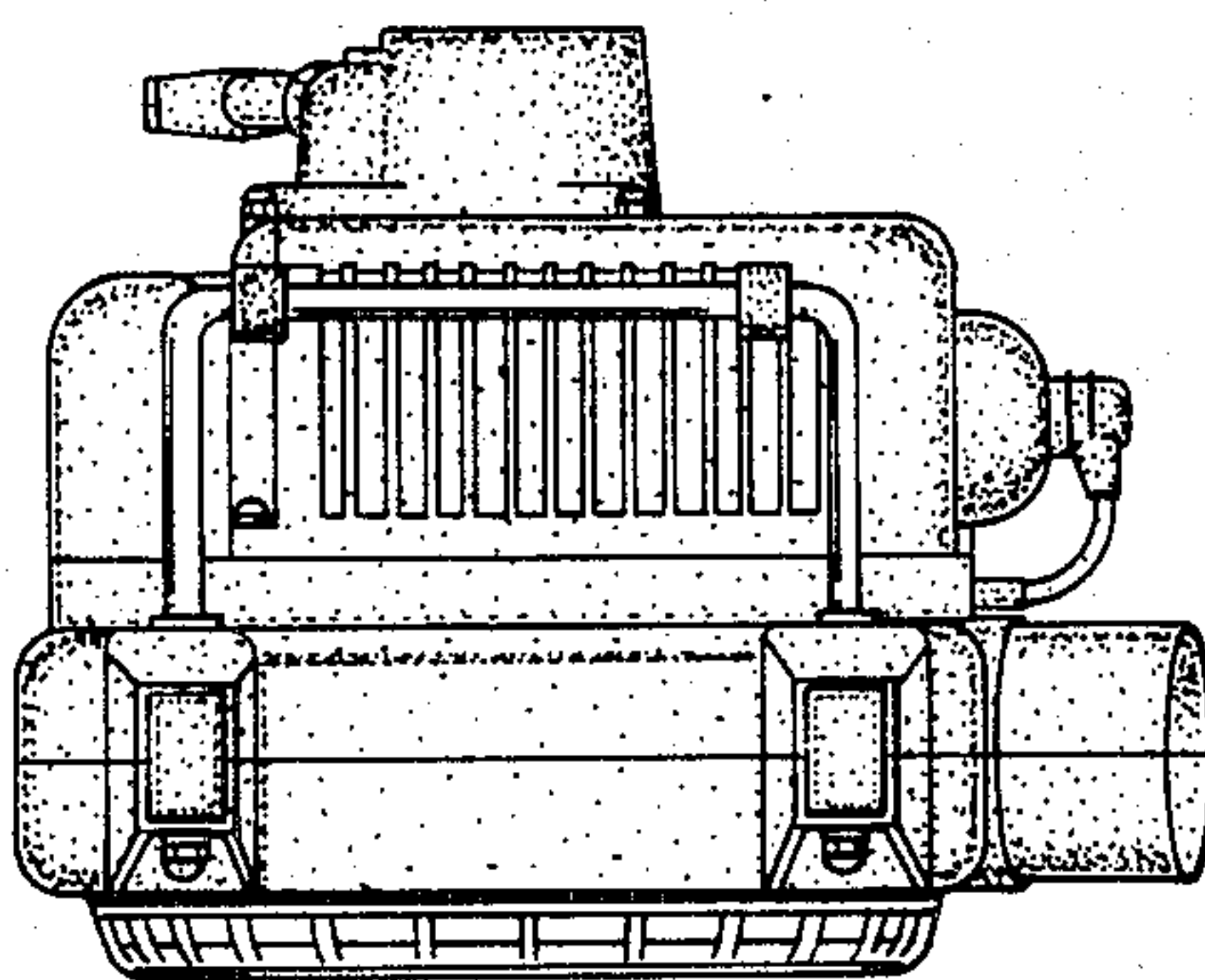


FIG. 7

