

[54] HAIR DRYER

[75] Inventor: Masao Tsuji, Old Lyme, Conn.

[73] Assignee: North American Philips Corporation, New York, N.Y.

[**] Term: 14 Years

[21] Appl. No.: 666,801

[22] Filed: Oct. 31, 1984

[52] U.S. Cl. D28/13; D28/18

[58] Field of Search D28/9, 10, 12-19; D23/77; 34/96-101; 219/222; 132/9

[56] References Cited

U.S. PATENT DOCUMENTS

D. 253,073	10/1979	Anderson	D28/13
D. 253,914	1/1980	Haase	D28/13
D. 254,690	4/1980	Rakocy et al.	D28/13
4,132,360	1/1979	Lee, Jr.	D28/13 X
4,135,080	1/1979	Wells, Jr.	34/97 X

OTHER PUBLICATIONS

Housewares, 7/1977, p. 67-G.E. Dryers & Power Brush.

Primary Examiner—Louis S. Zarfes
Attorney, Agent, or Firm—Rolf E. Schneider

[57] CLAIM

The ornamental design for a hair dryer, as shown and described.

DESCRIPTION

FIG. 1 is a right-side elevational view of a hair dryer showing my new design;
 FIG. 2 is a front elevational view thereof;
 FIG. 3 is a rear elevational view thereof;
 FIG. 4 is a top plan view thereof;
 FIG. 5 is a bottom plan view thereof;
 FIG. 6 is an exploded left-side elevational view thereof;
 FIG. 7 is a front elevational view of FIG. 6;
 FIG. 8 is a rear elevational view of FIG. 6;
 FIG. 9 is a bottom plan view of the dryer barrel unit; and
 FIG. 10 is a top plan view of the dryer handle unit.
 The broken line showing of an electric cord in FIG. 1 is for illustrative purposes only and forms no part of the claimed design.

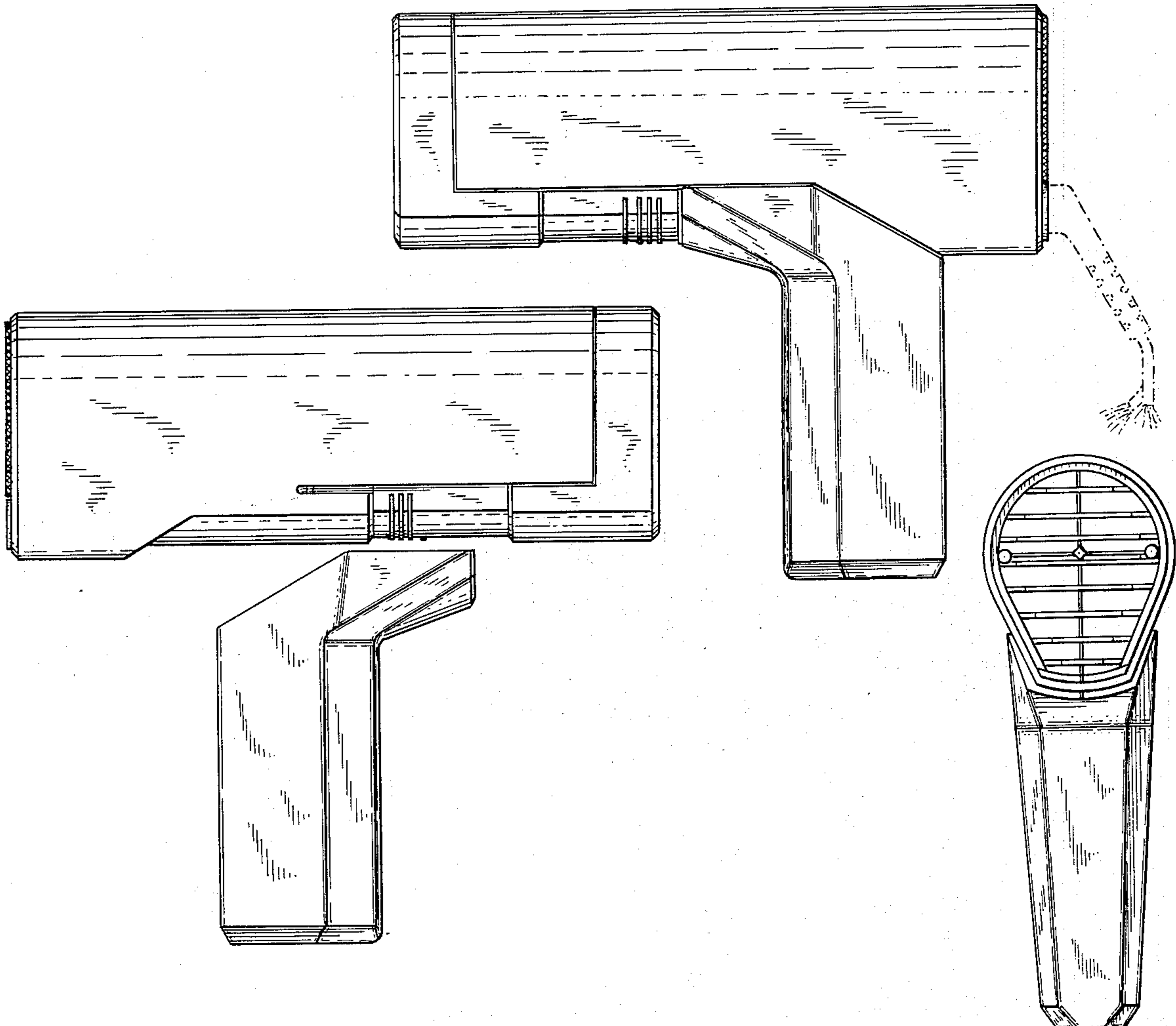


FIG. 1

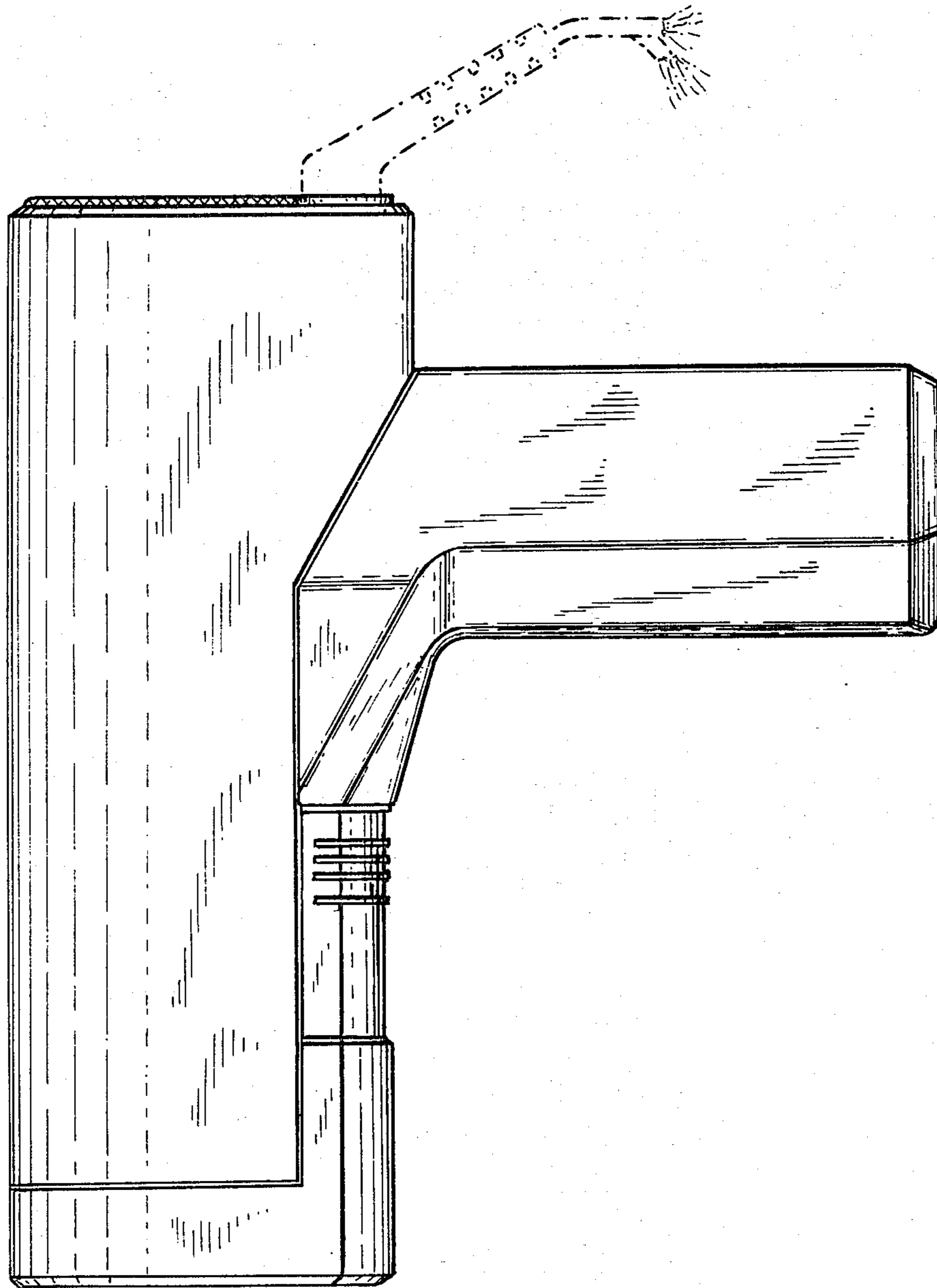


FIG. 2

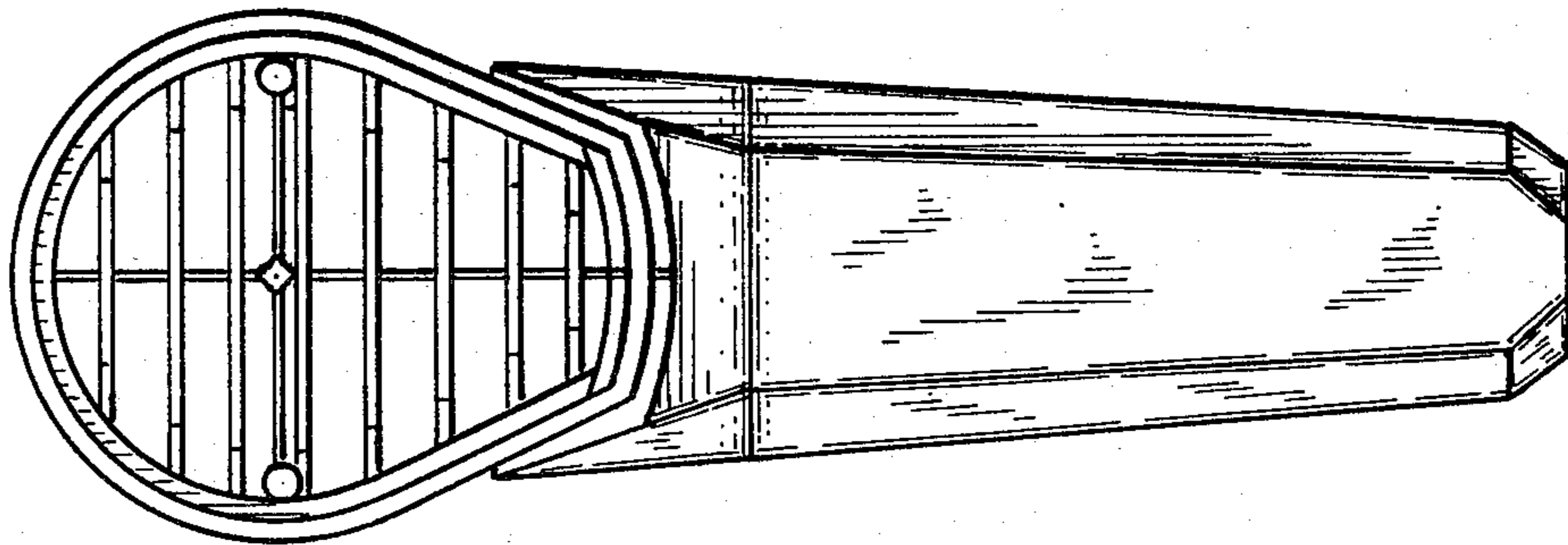


FIG. 3

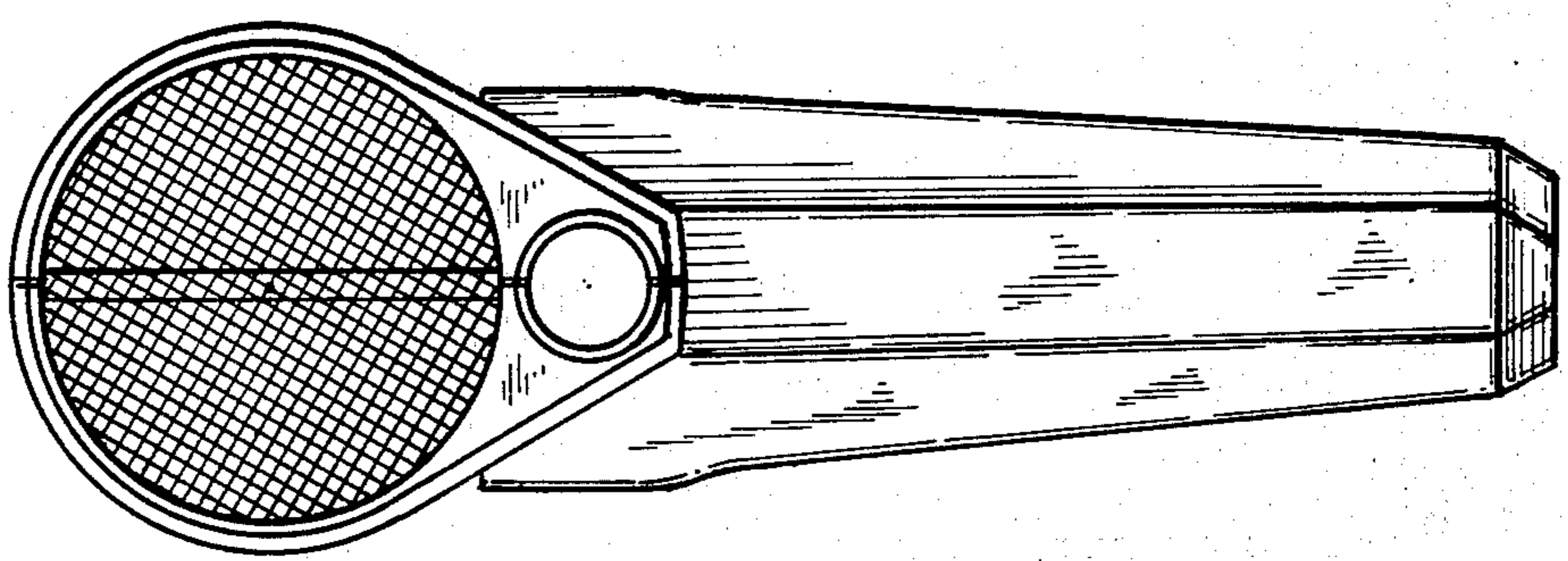


FIG. 4

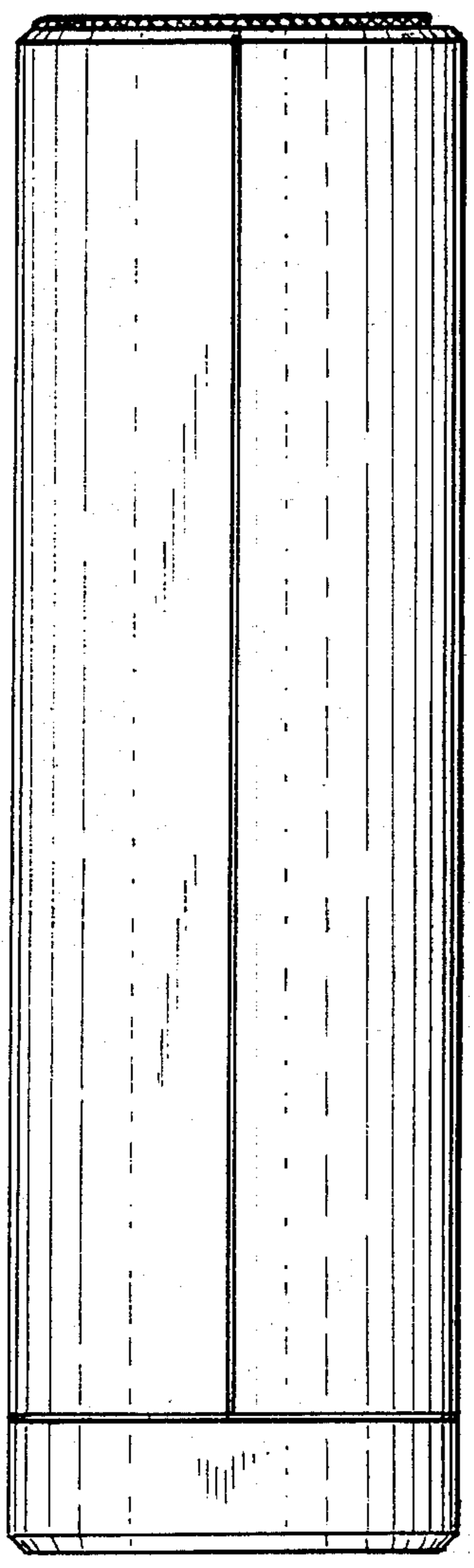
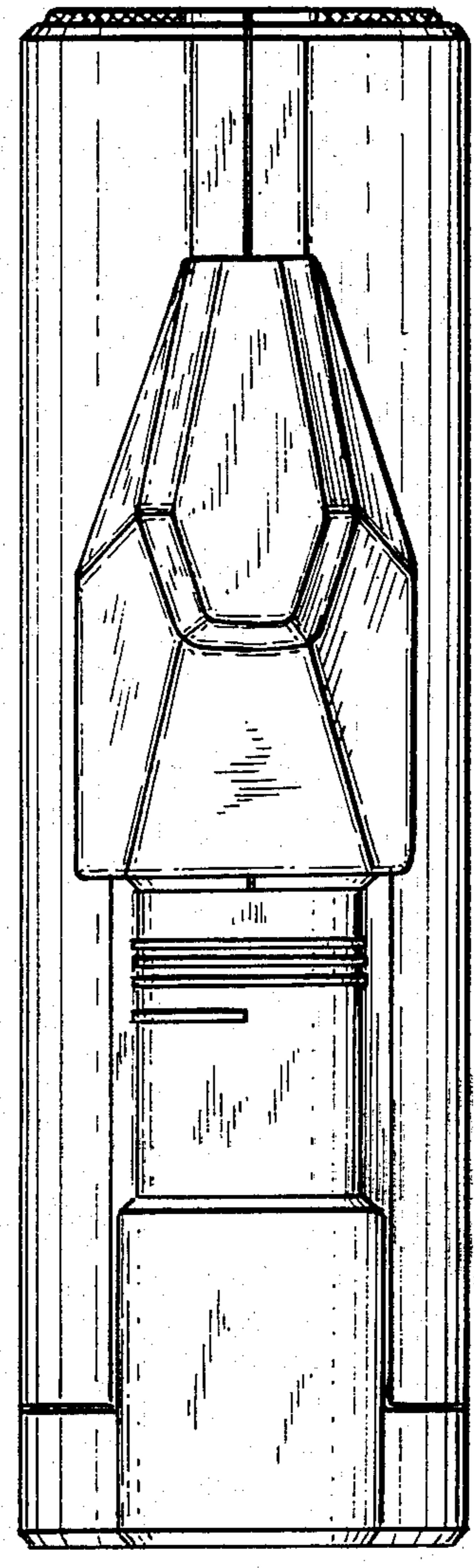


FIG. 5



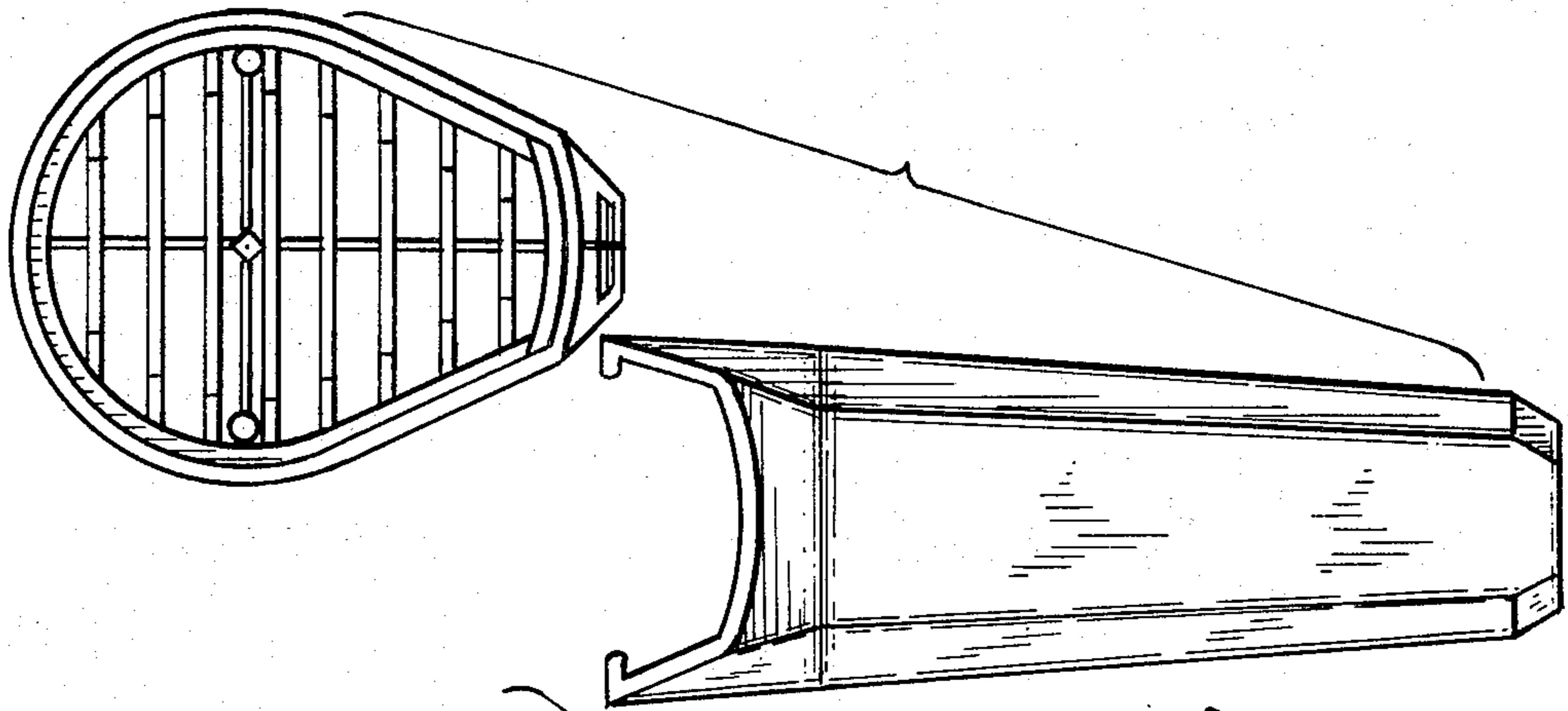


FIG. 7

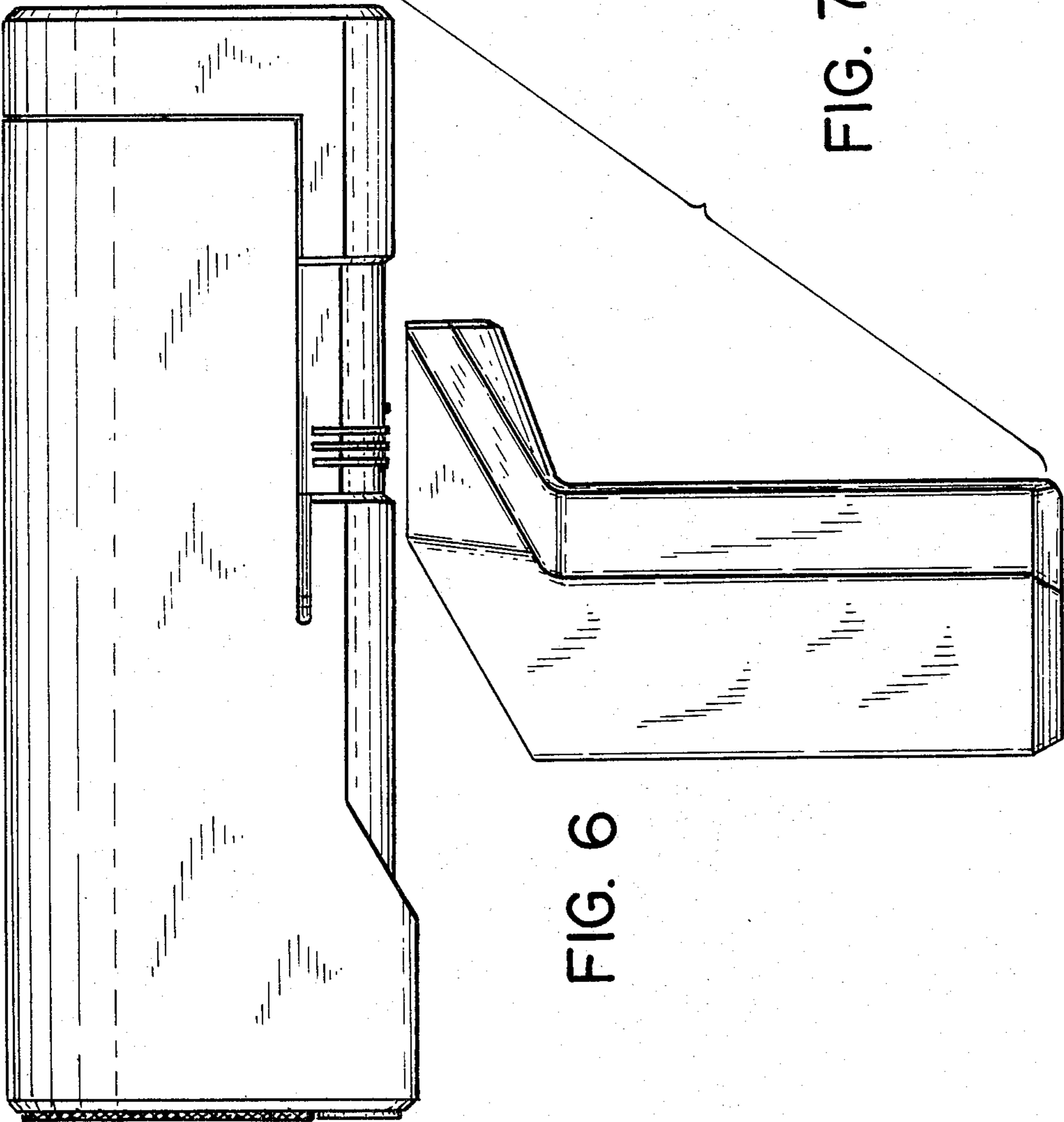


FIG. 6

FIG. 9

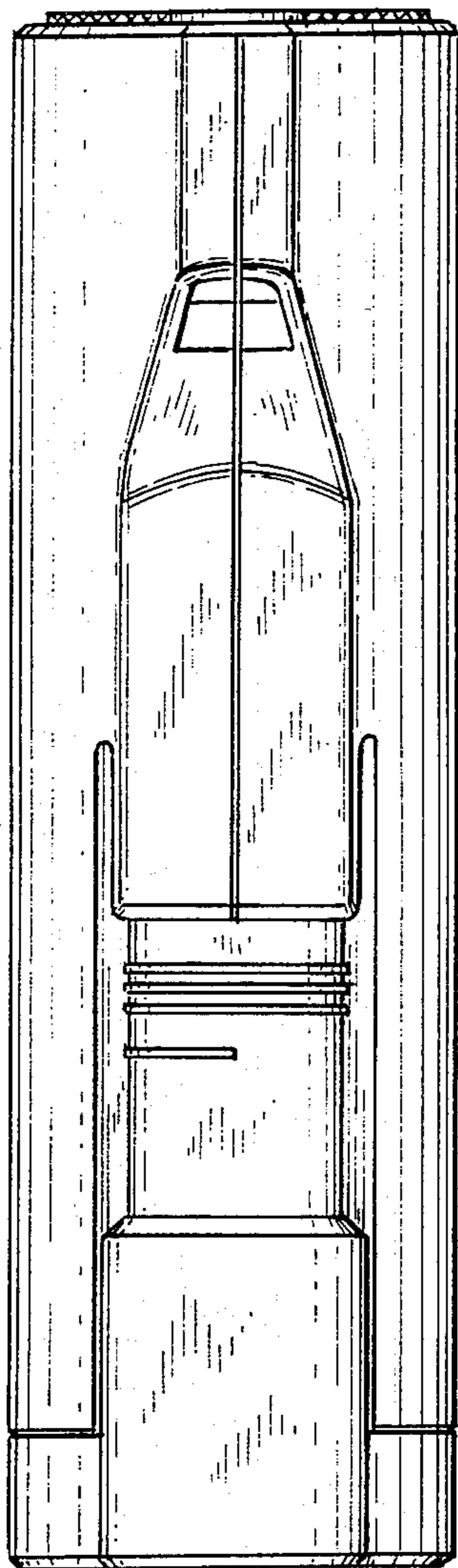


FIG. 10

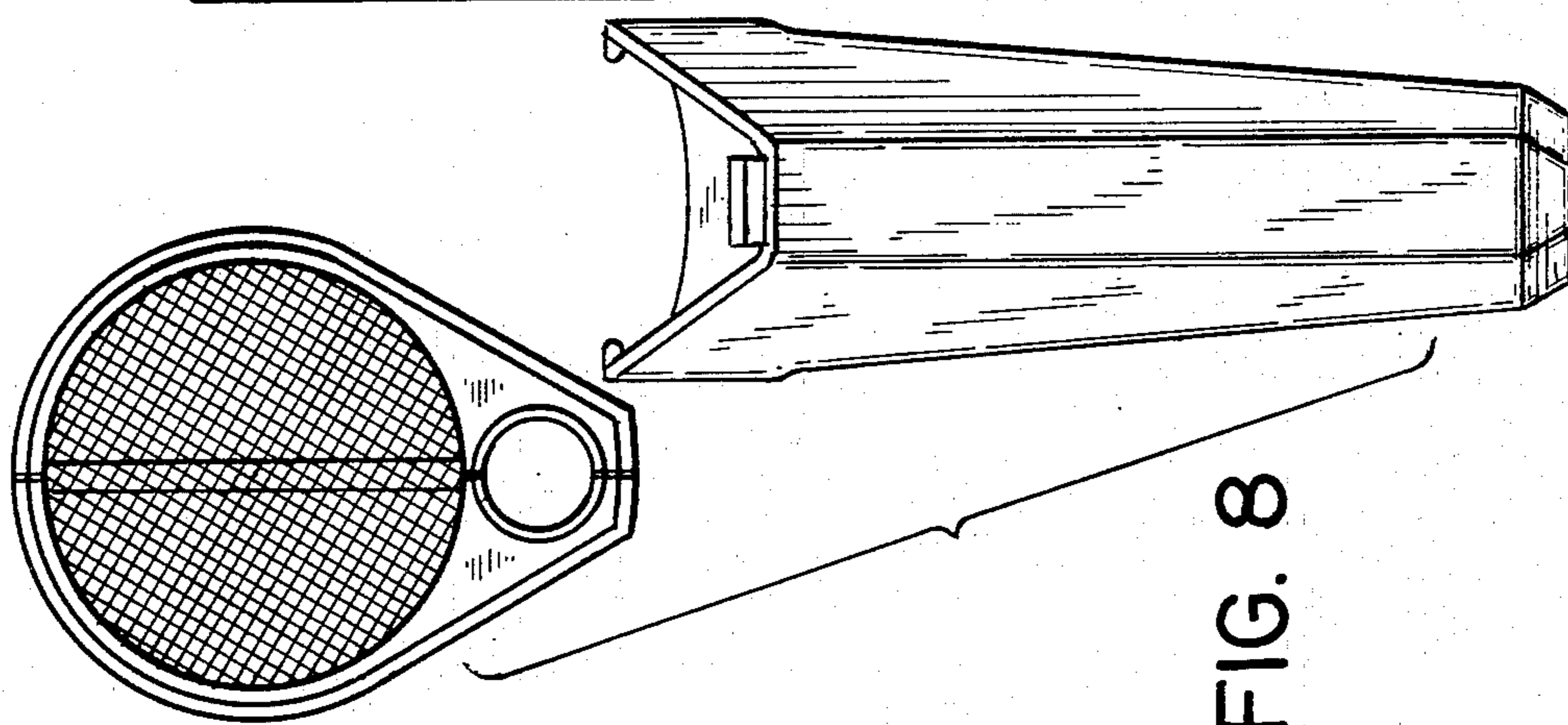
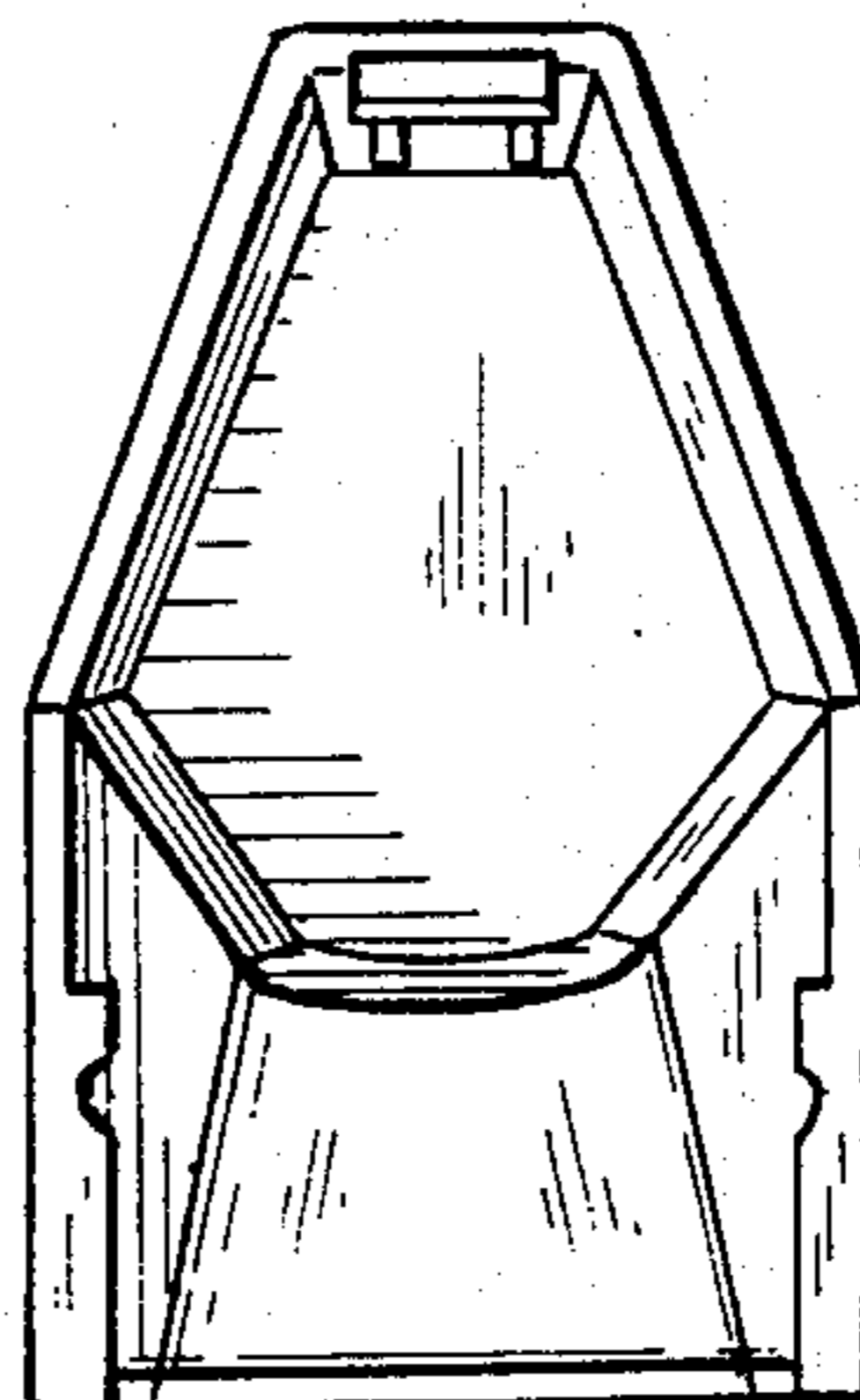


FIG. 8