

[54] HANGING FLUORESCENT LIGHTING FIXTURE

[76] Inventor: John T. Shelton, III, 202 W. Marion St., Apt. 7, Knoxville, Iowa 50138

[**] Term: 14 Years

[21] Appl. No.: 570,354

[22] Filed: Jan. 13, 1984

[52] U.S. Cl. D26/79

[58] Field of Search 362/217, 404, 408; D26/24, 72, 75-92

[56] References Cited

U.S. PATENT DOCUMENTS

- D. 121,296 7/1940 Heath D26/75
- D. 127,489 5/1941 Mandryl D26/79
- D. 266,792 11/1982 Windolph D26/84

Primary Examiner—Susan J. Lucas

[57] CLAIM

The ornamental design for a hanging fluorescent lighting fixture, as described and shown.

DESCRIPTION

FIG. 1 is a top, front perspective view of a hanging fluorescent lighting fixture showing my new design.
 FIG. 2 is a top plan view on a reduced scale.
 FIG. 3 is a side elevational view thereof on a reduced scale.
 FIG. 4 is a cross-sectional view taken along line 4—4 of fixture 3.

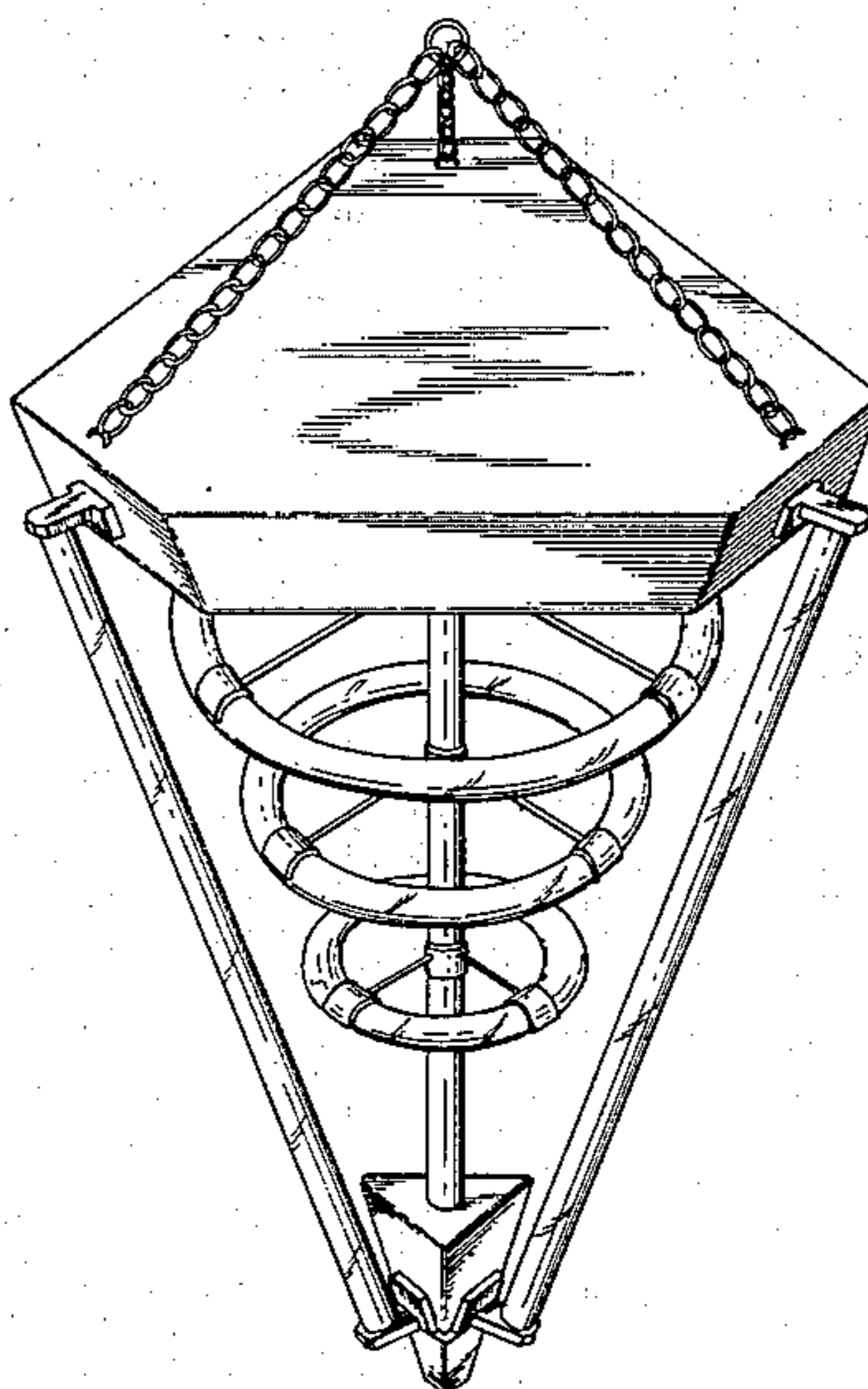


FIG. 1

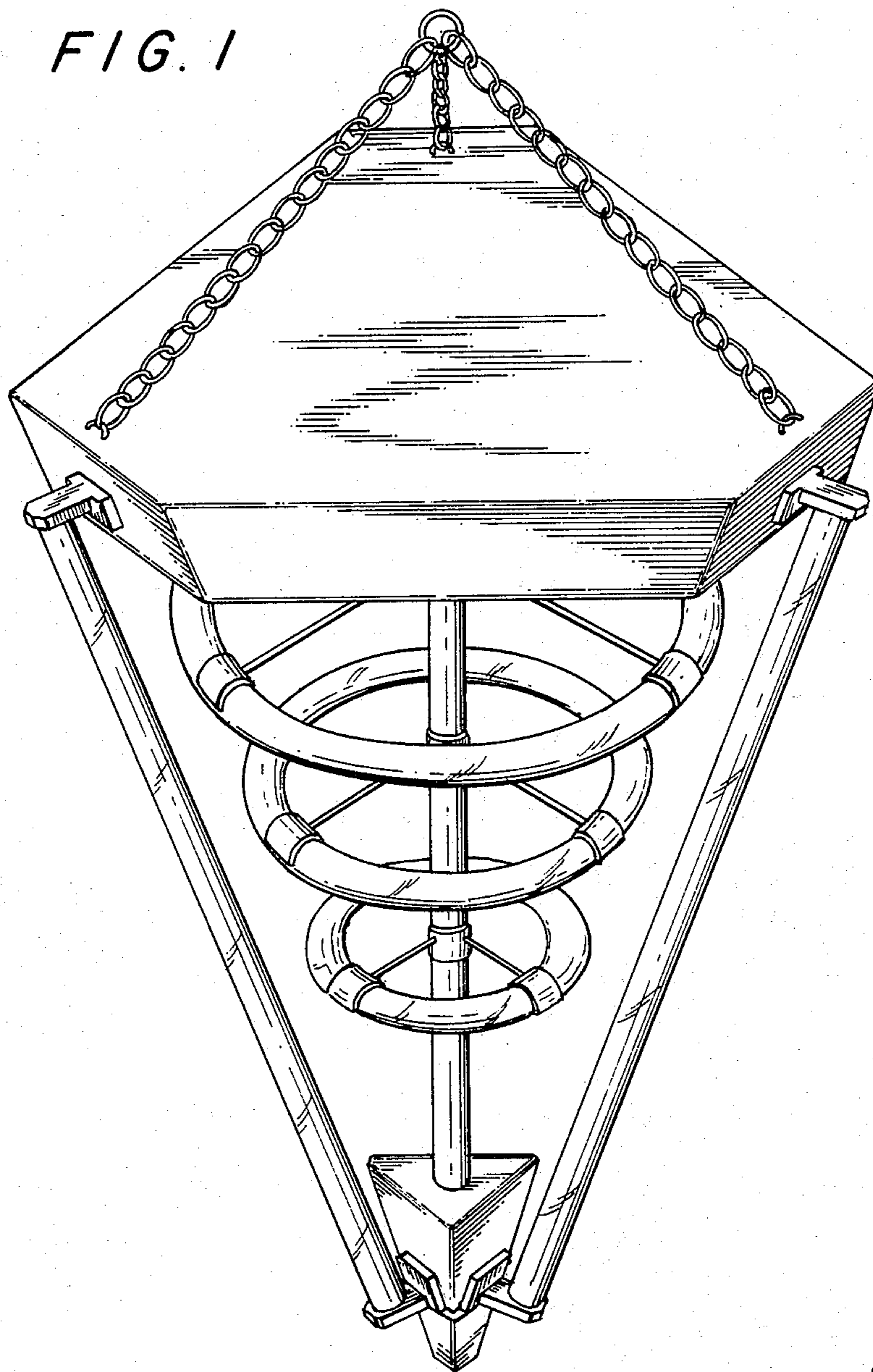


FIG. 4

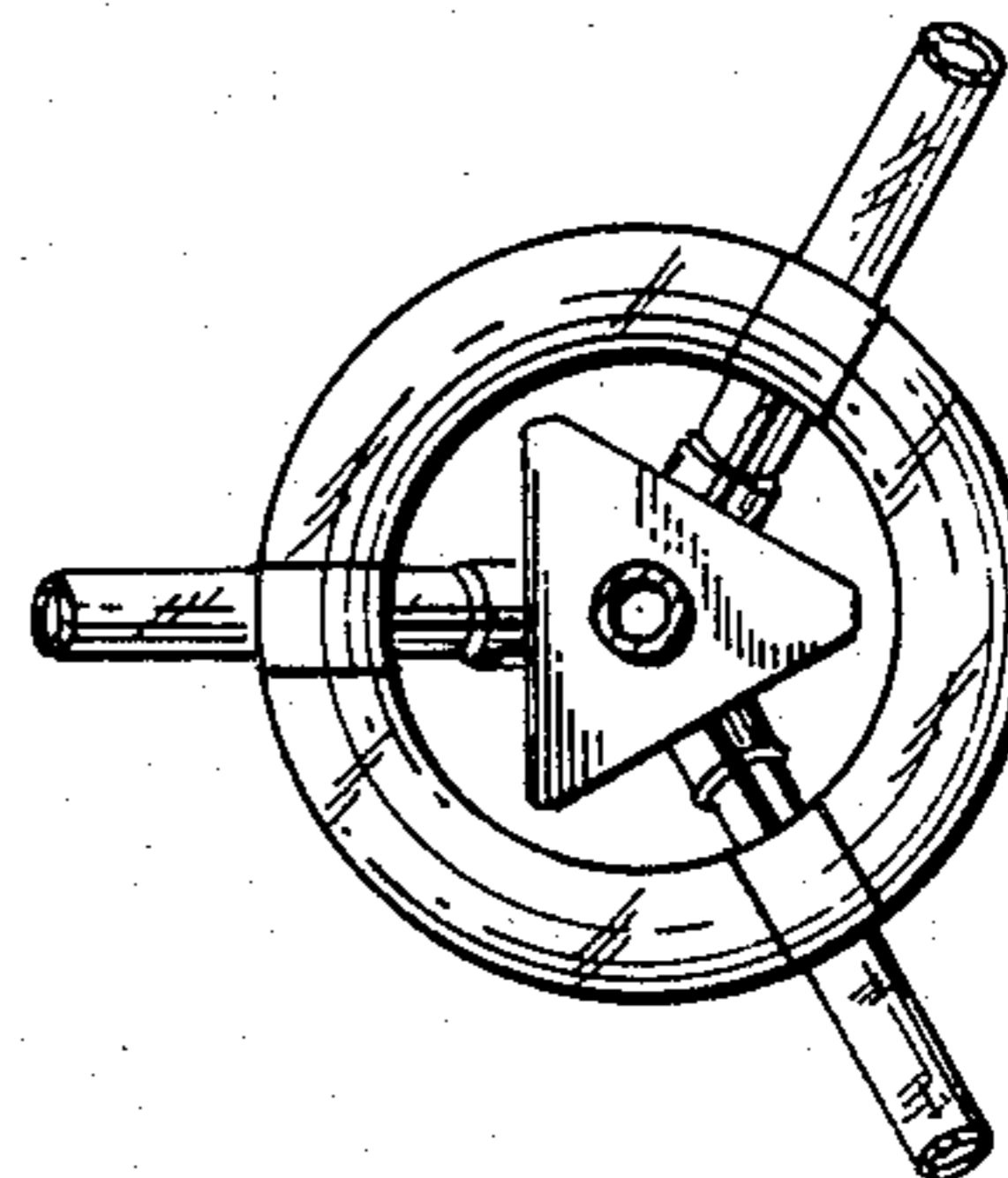


FIG. 2

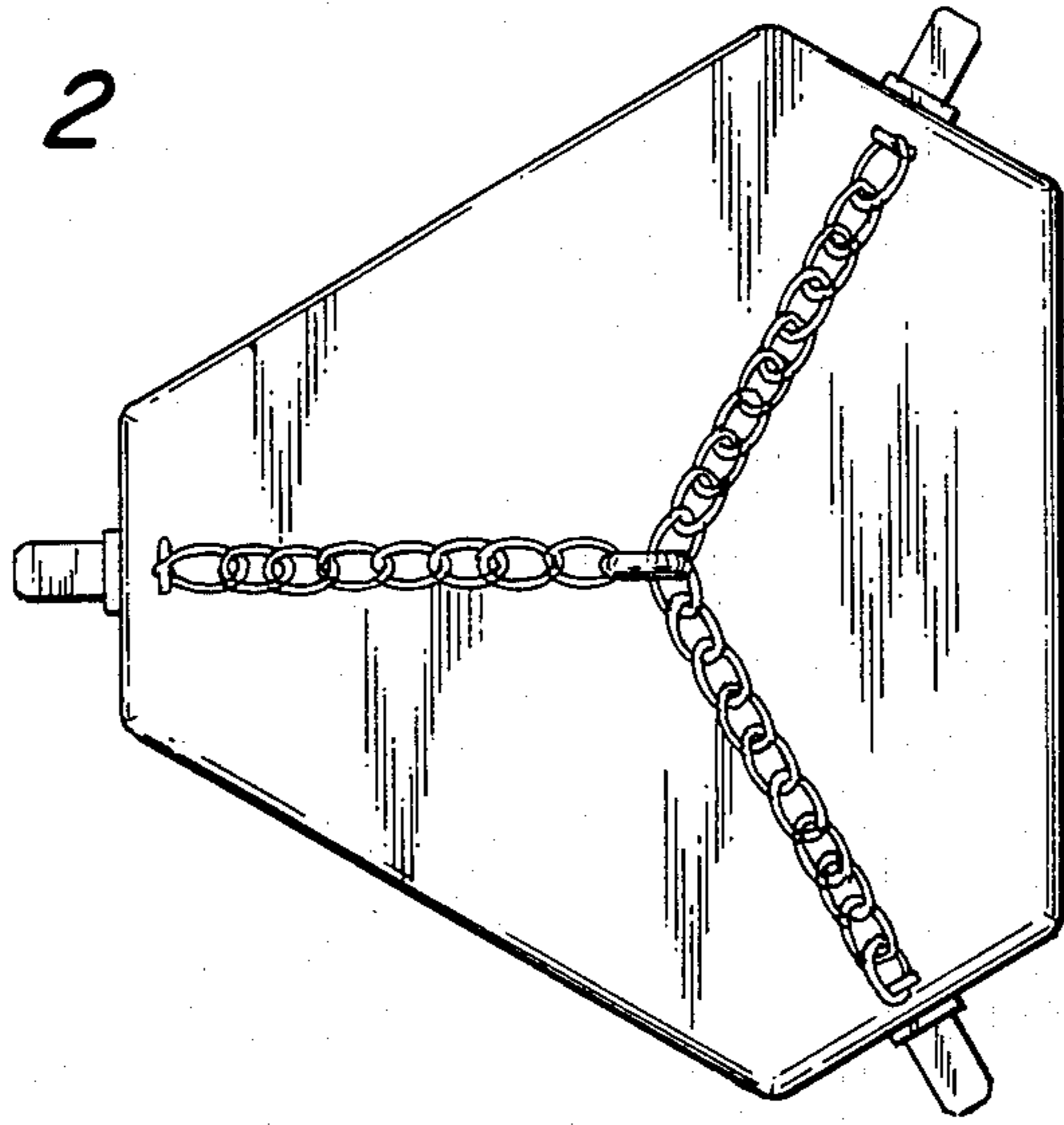


FIG. 3

