

[54] VENTILATOR FOR CONTAINERS

[75] Inventors: Shigeo Mizuno, Yamato; Masaki Takahashi, Kawasaki, both of Japan

[73] Assignee: Nishiyama Corporation of America, New York, N.Y.

[**] Term: 14 Years

[21] Appl. No.: 639,923

[22] Filed: Aug. 10, 1984

[30] Foreign Application Priority Data

Apr. 23, 1984 [JP] Japan 59-016566

[52] U.S. Cl. D23/139; D23/153

[58] Field of Search D23/139-140, D23/151, 153; 217/42; 98/2.11, 2.14, 2.16, 2.17, 2.18, 4, 52

[56] References Cited

U.S. PATENT DOCUMENTS

D. 247,508	3/1978	Kujawa, Jr.	D23/140
4,038,911	8/1977	Hart	98/2.14
4,094,935	6/1978	Walker et al.	98/2.14 X
4,300,440	11/1981	Holter	98/2.14 X

Primary Examiner—Wallace R. Burke
Assistant Examiner—Brian N. Vinson
Attorney, Agent, or Firm—Darby & Darby

[57] CLAIM

The ornamental design for a ventilator for containers, as shown and described.

DESCRIPTION

FIG. 1 is a bottom perspective view of a ventilator for containers showing our new design; FIG. 2 is an end elevation thereof, the opposite end being plain and unornamented; FIG. 3 is a bottom plan view thereof; FIG. 4 is a side elevation thereof, the opposite side being identical in appearance; and FIG. 5 is a top plan view thereof.

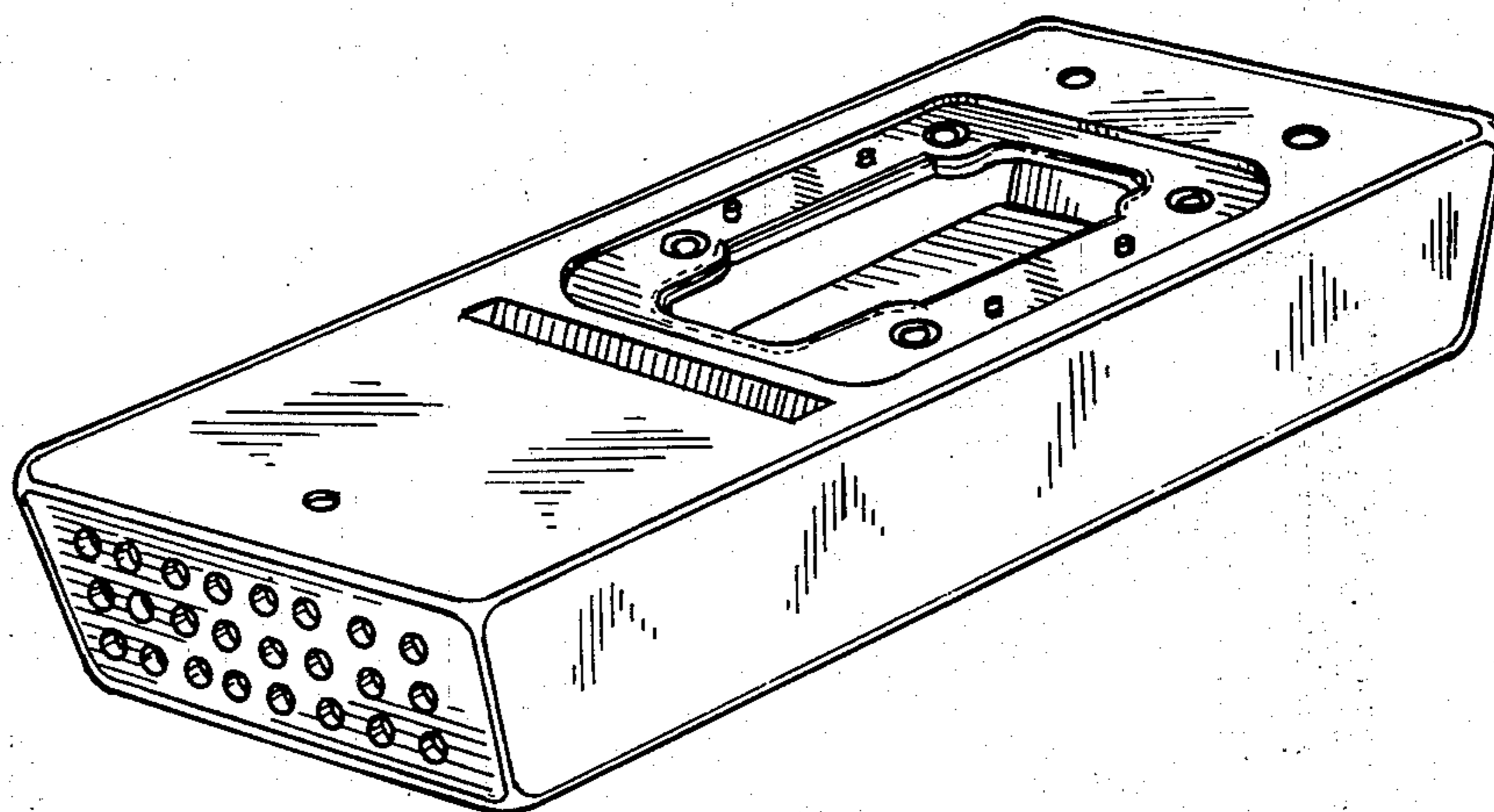


FIG. 1

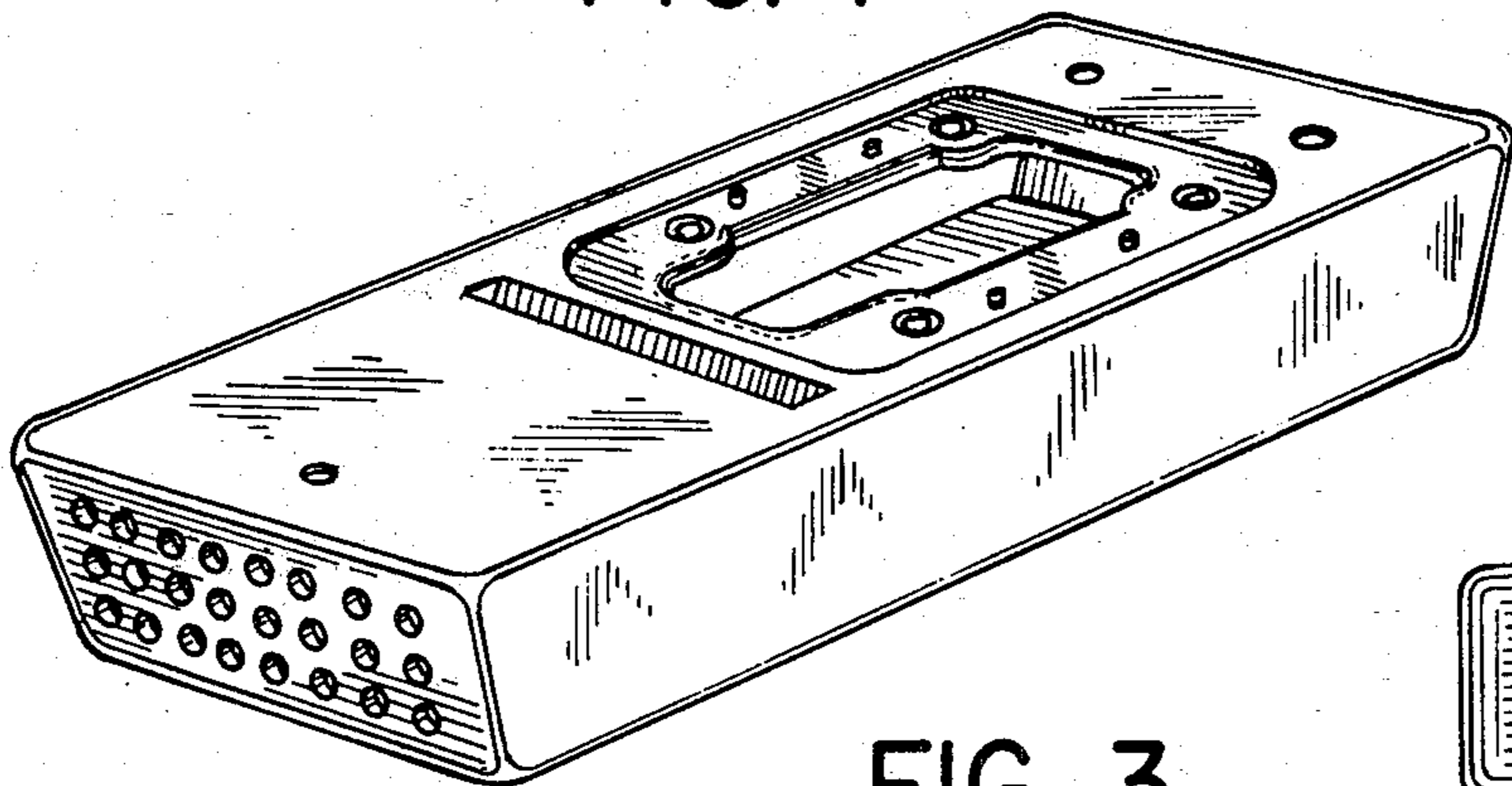


FIG. 2

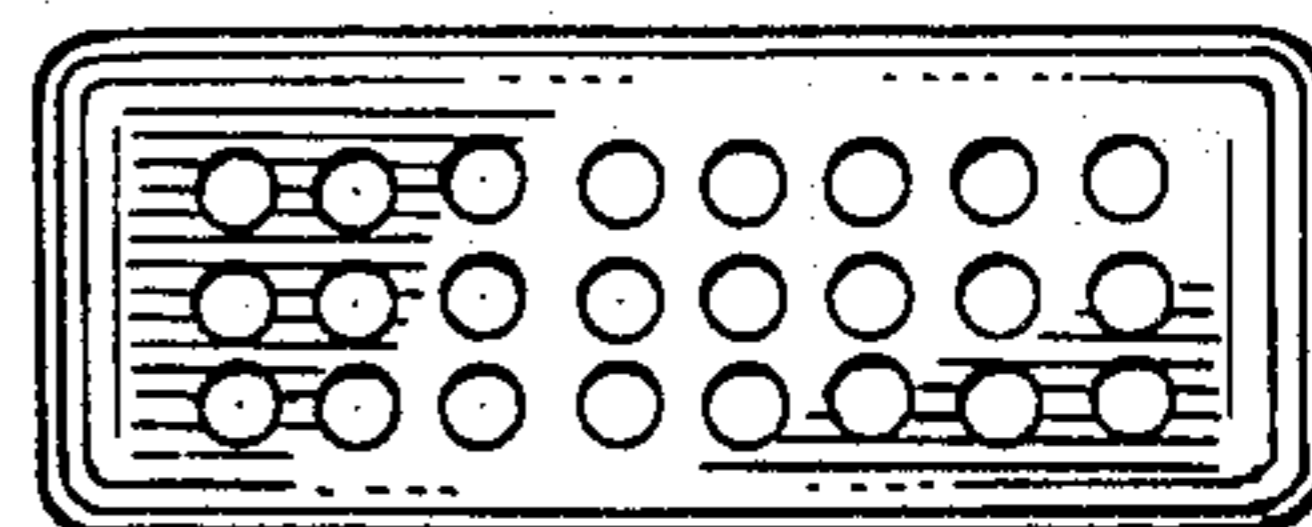


FIG. 3

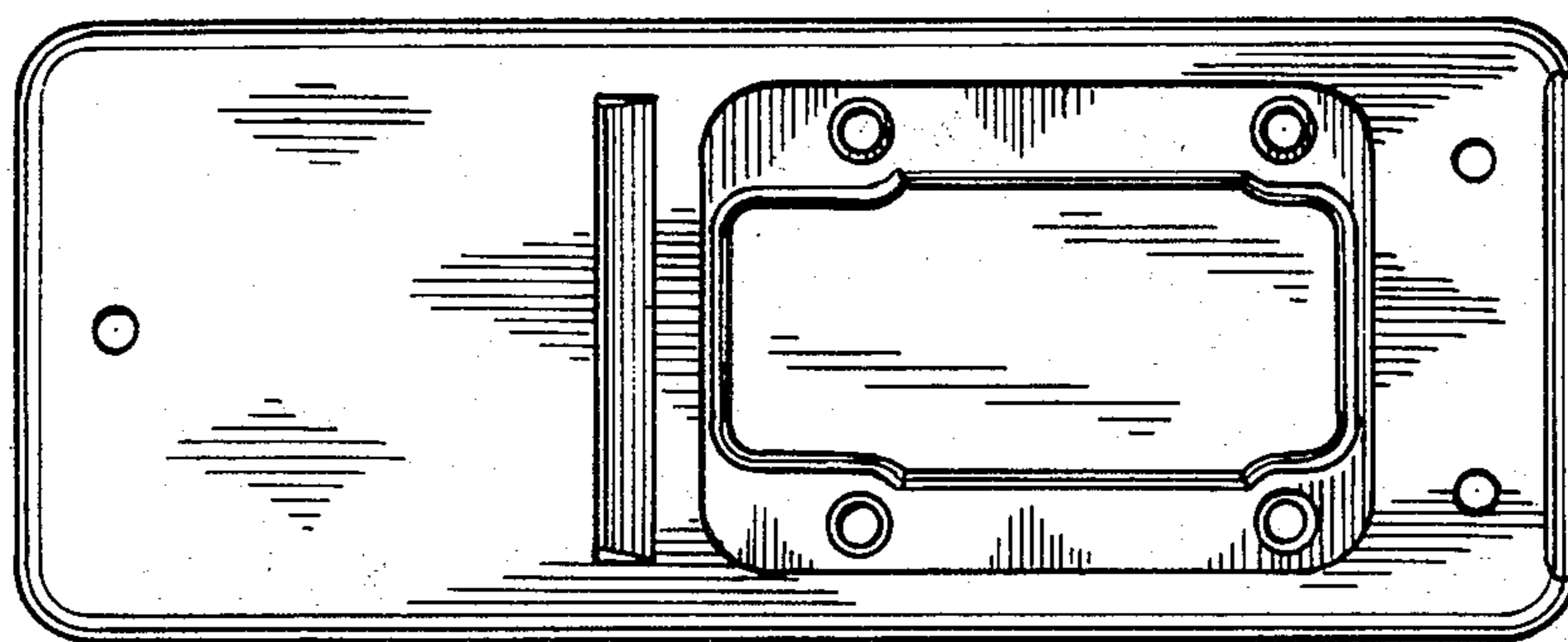


FIG. 4

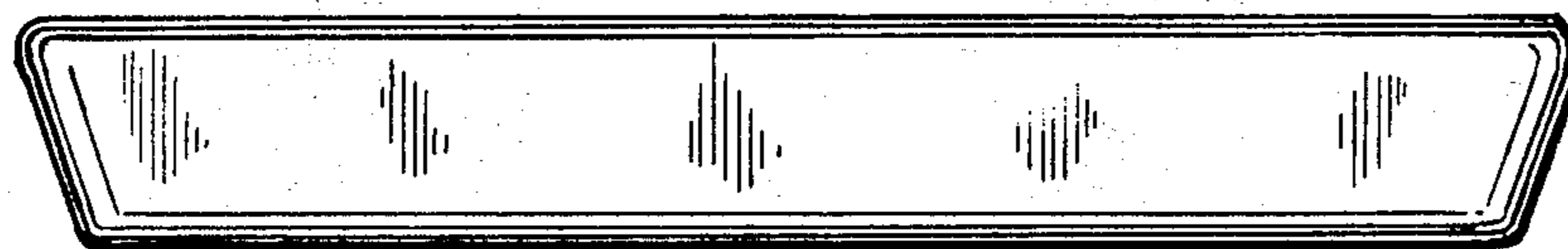


FIG. 5

