

[54] **HYDRAULIC OR PNEUMATIC ACTUATOR UNIT FOR VALVES**

[75] **Inventors: Bruno Hilpert, Diessenhofen; Bruno Hunziker, Schaffhausen, both of Switzerland**

[73] **Assignee: Georg Fischer Aktiengesellschaft, Schaffhausen, Switzerland**

[**] **Term: 14 Years**

[21] **Appl. No.: 590,726**

[22] **Filed: Mar. 19, 1984**

[30] **Foreign Application Priority Data**

Sep. 19, 1983 [XH] Hague DM/002880

[52] **U.S. Cl. D23/19; D23/27**

[58] **Field of Search D23/19, 20, 21, 22, D23/27; 251/58**

[56] **References Cited**

U.S. PATENT DOCUMENTS

D. 142,771 11/1945 Chapman, Jr. D23/19
4,046,350 9/1977 Massey et al. 251/58

OTHER PUBLICATIONS

Waterman Hydraulic Components Catalog, p. 19, Three Position Valve, top of page.

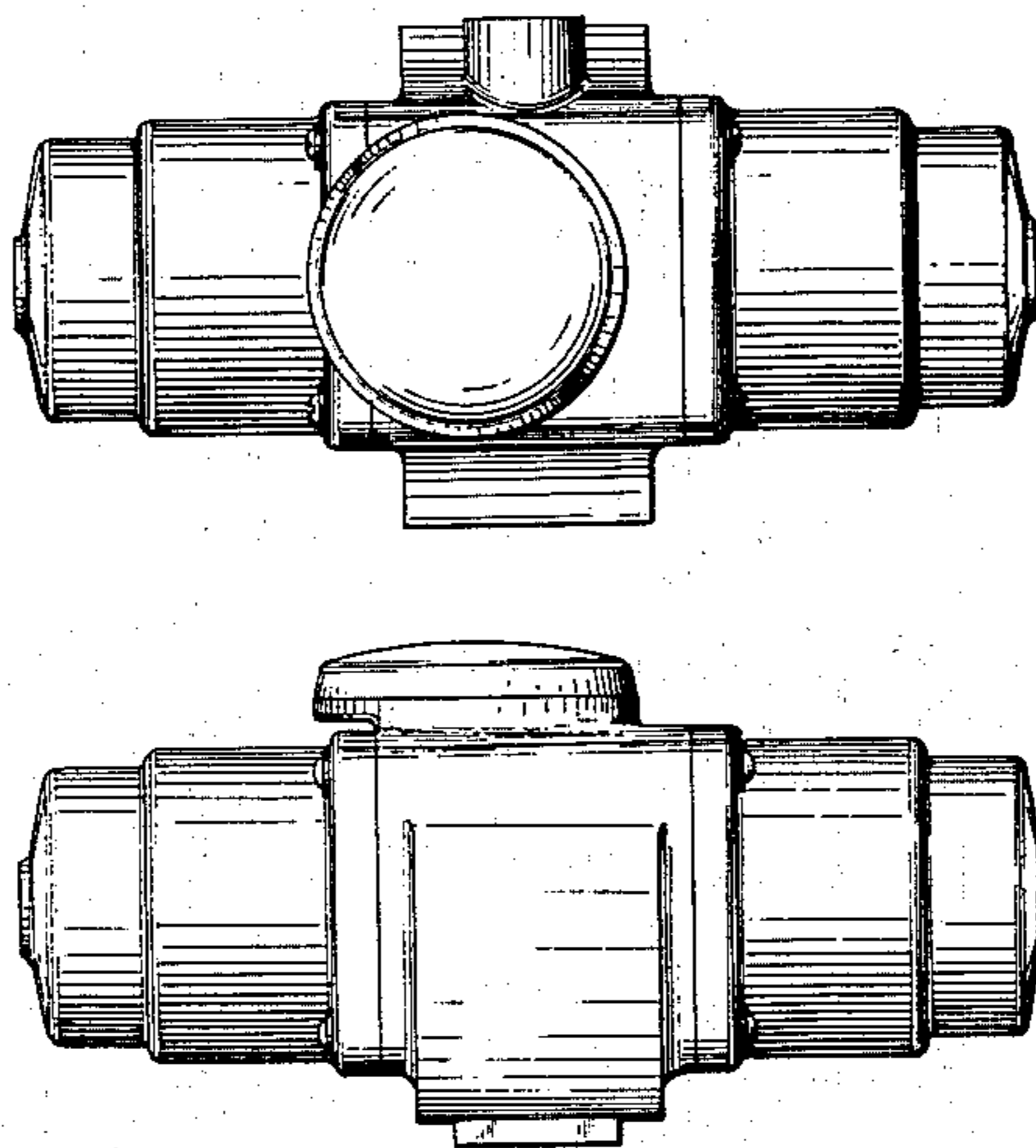
Primary Examiner—James M. Gandy
Attorney, Agent, or Firm—Toren, McGeedy, Stanger, Goldberg & Kiel

[57] **CLAIM**

The ornamental design for a hydraulic or pneumatic actuator unit for valves, as shown.

DESCRIPTION

FIG. 1 is a top plan view of our design for a hydraulic or pneumatic actuator unit for valves;
FIG. 2 is a front elevation view;
FIG. 3 is a bottom plan view;
FIG. 4 is a rear elevation view;
FIG. 5 is a side elevation view, seen from the right;
FIG. 6 is a side elevation view, seen from the left.



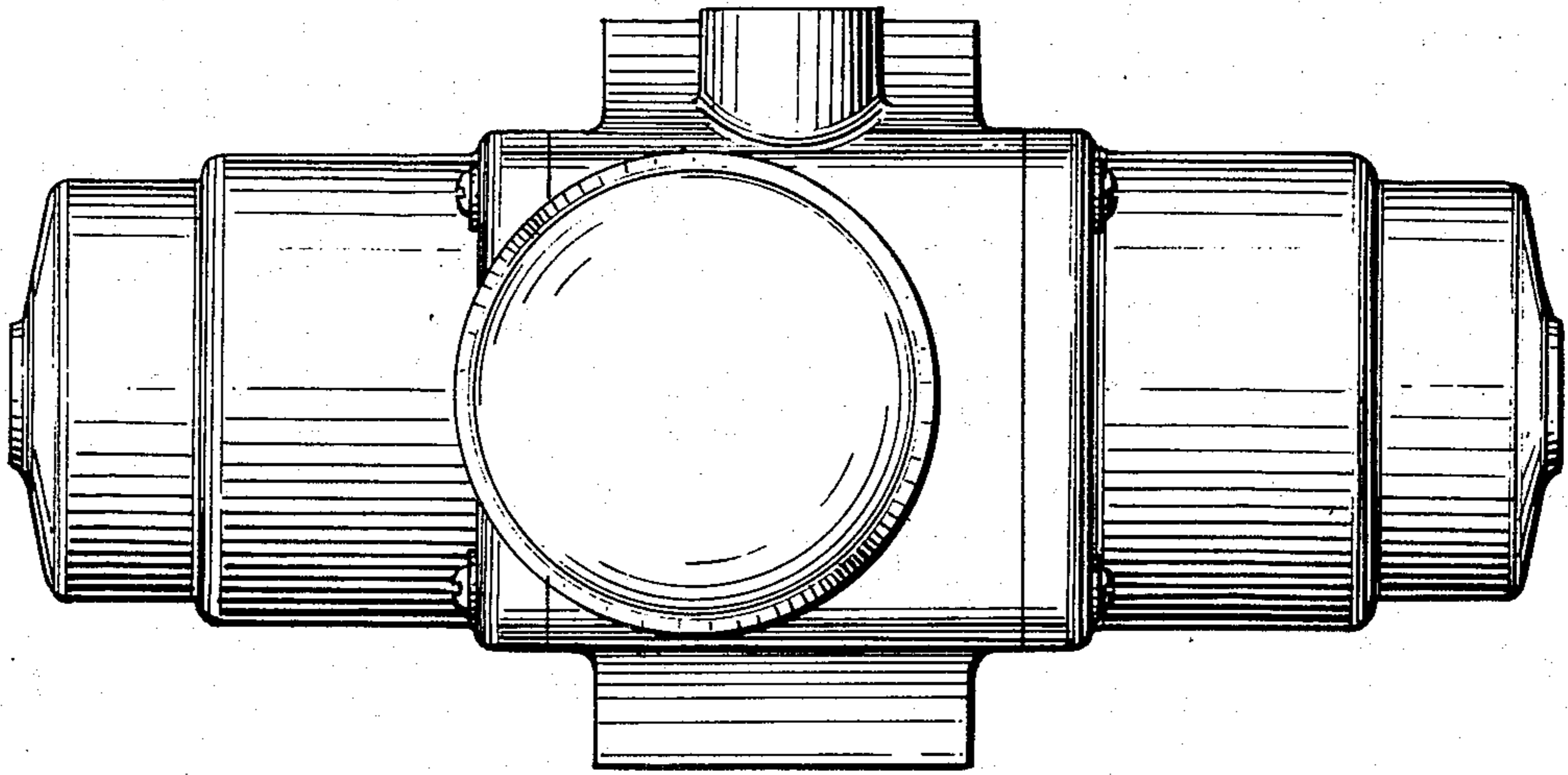


FIG. 1

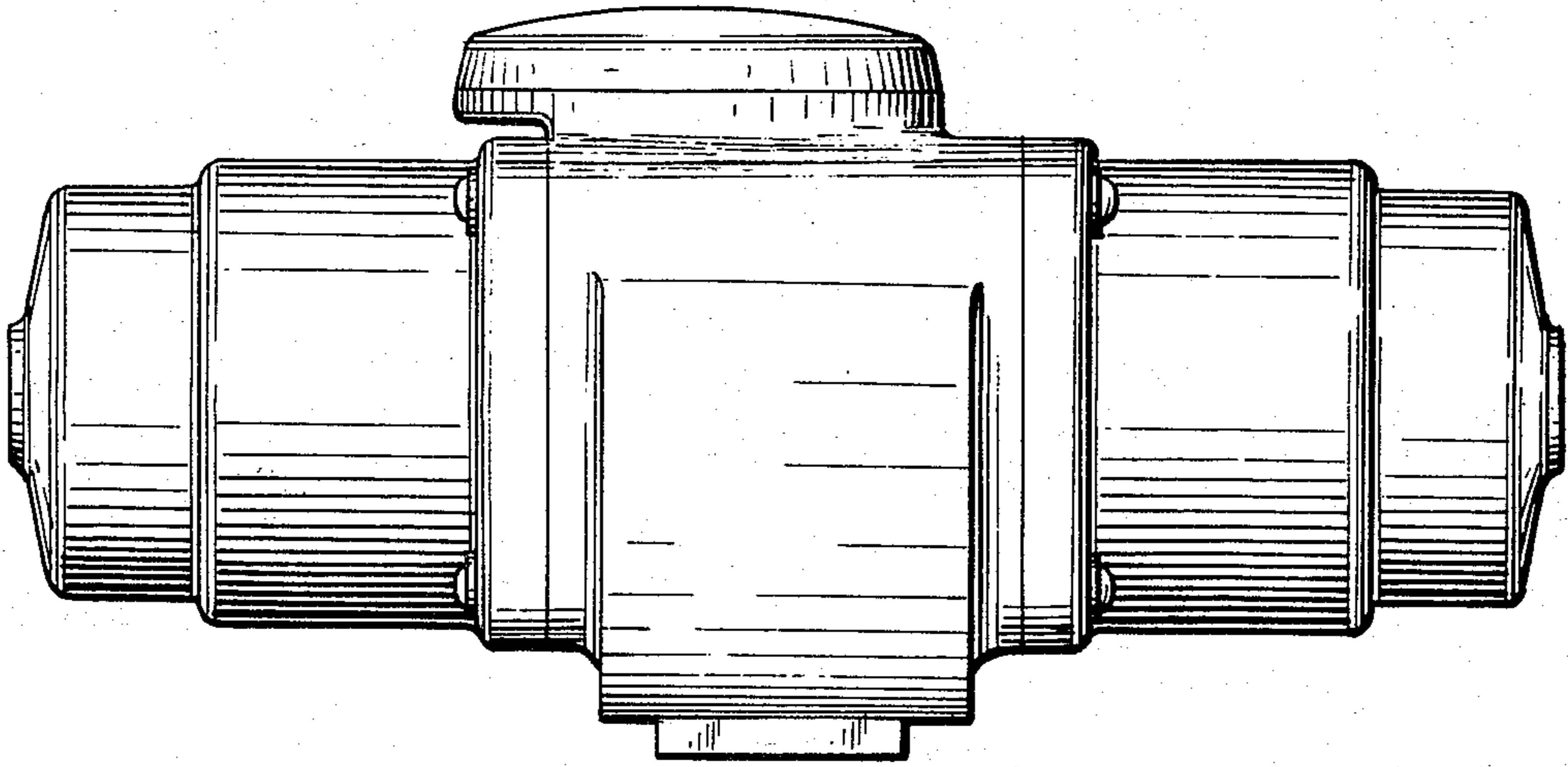


FIG. 2

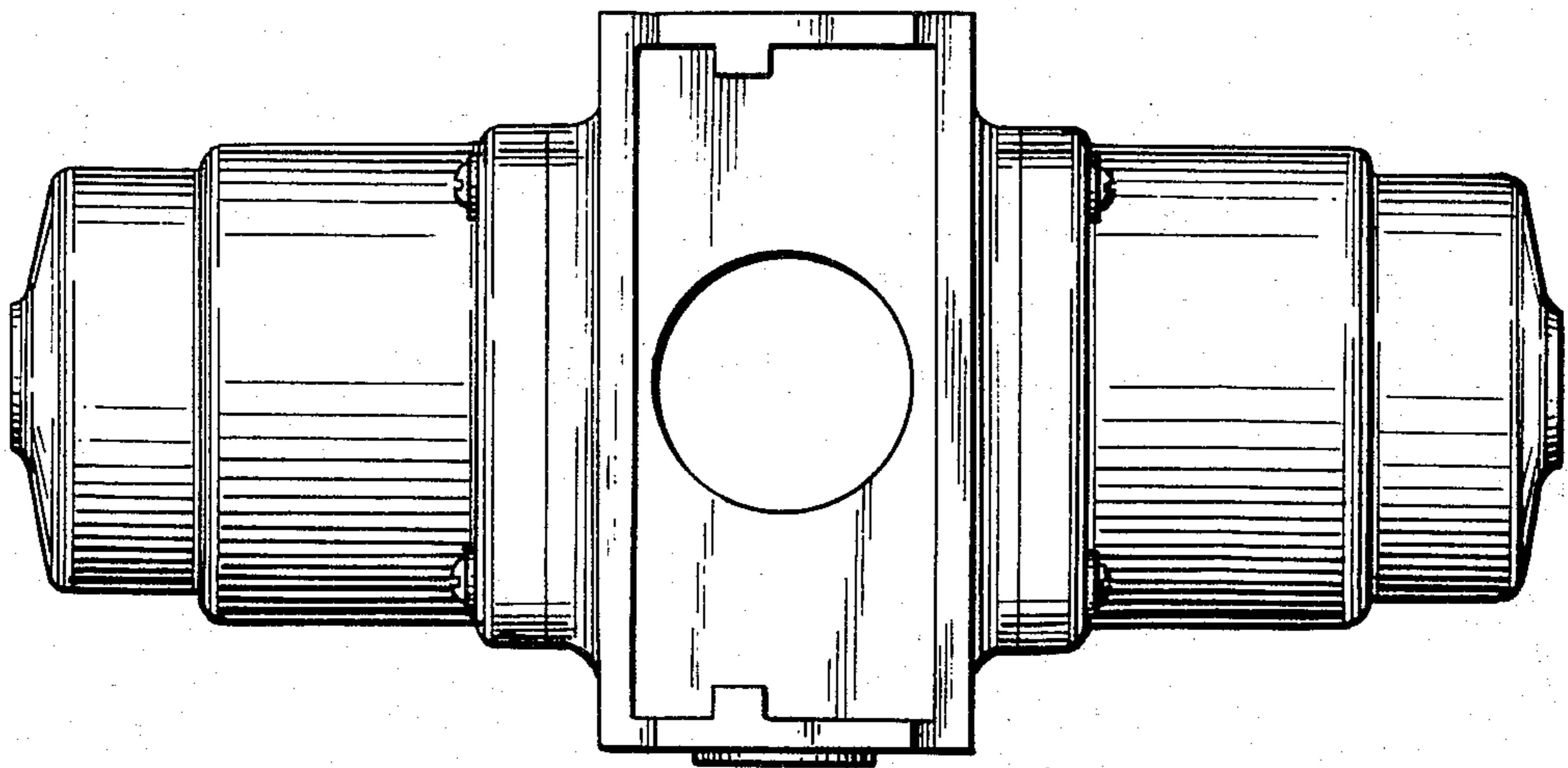


FIG. 3

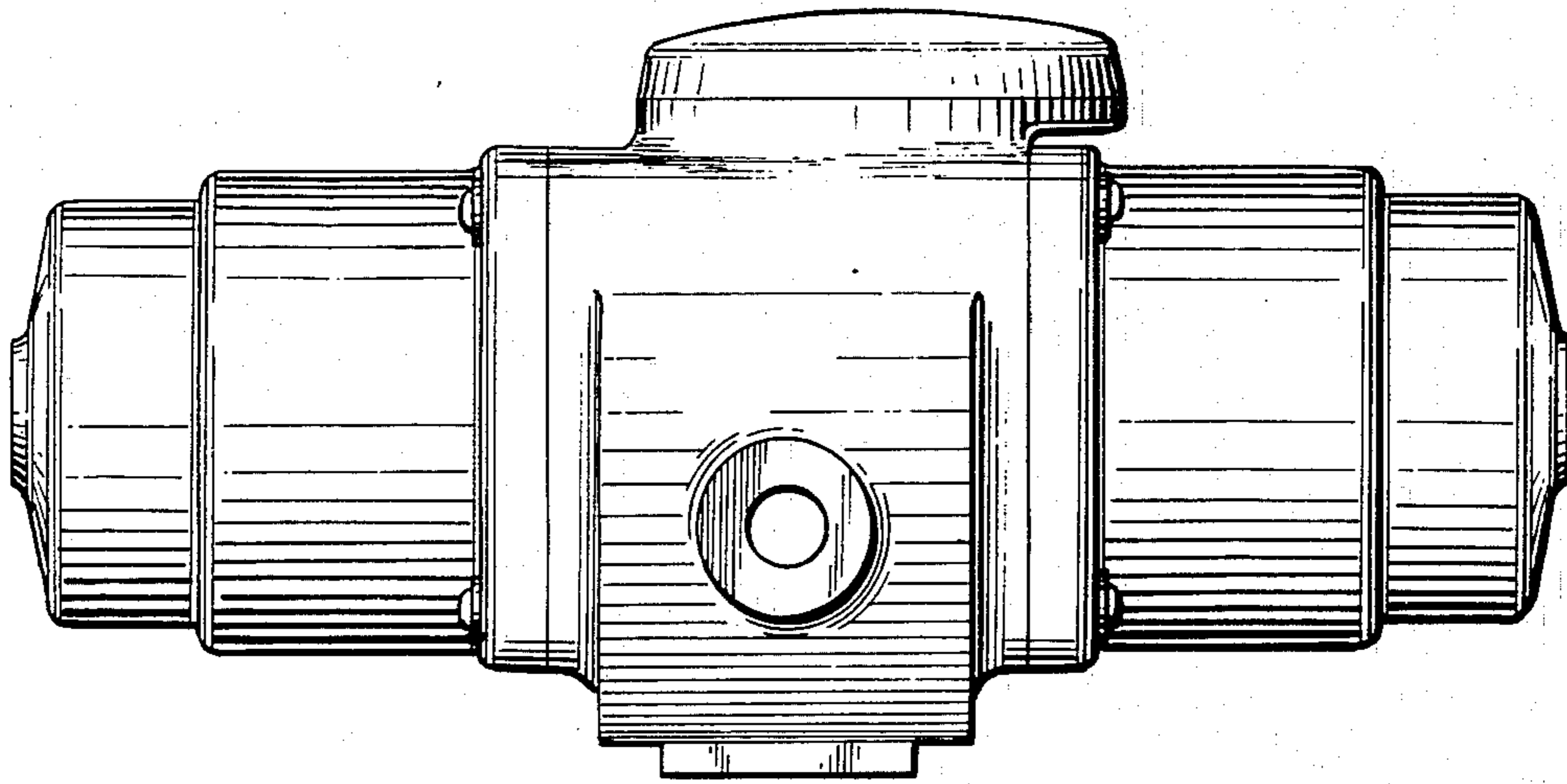


FIG. 4

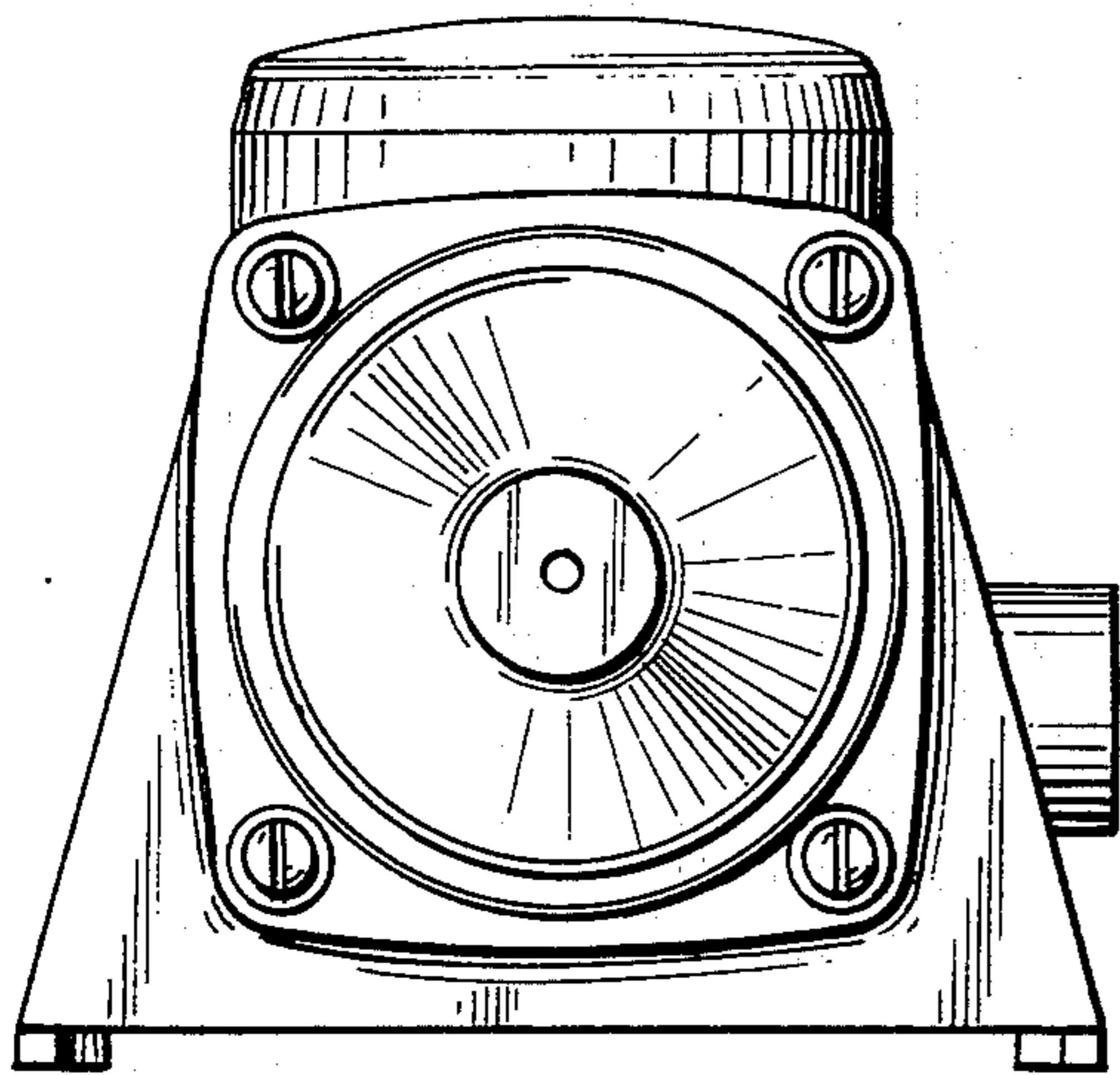


FIG. 5

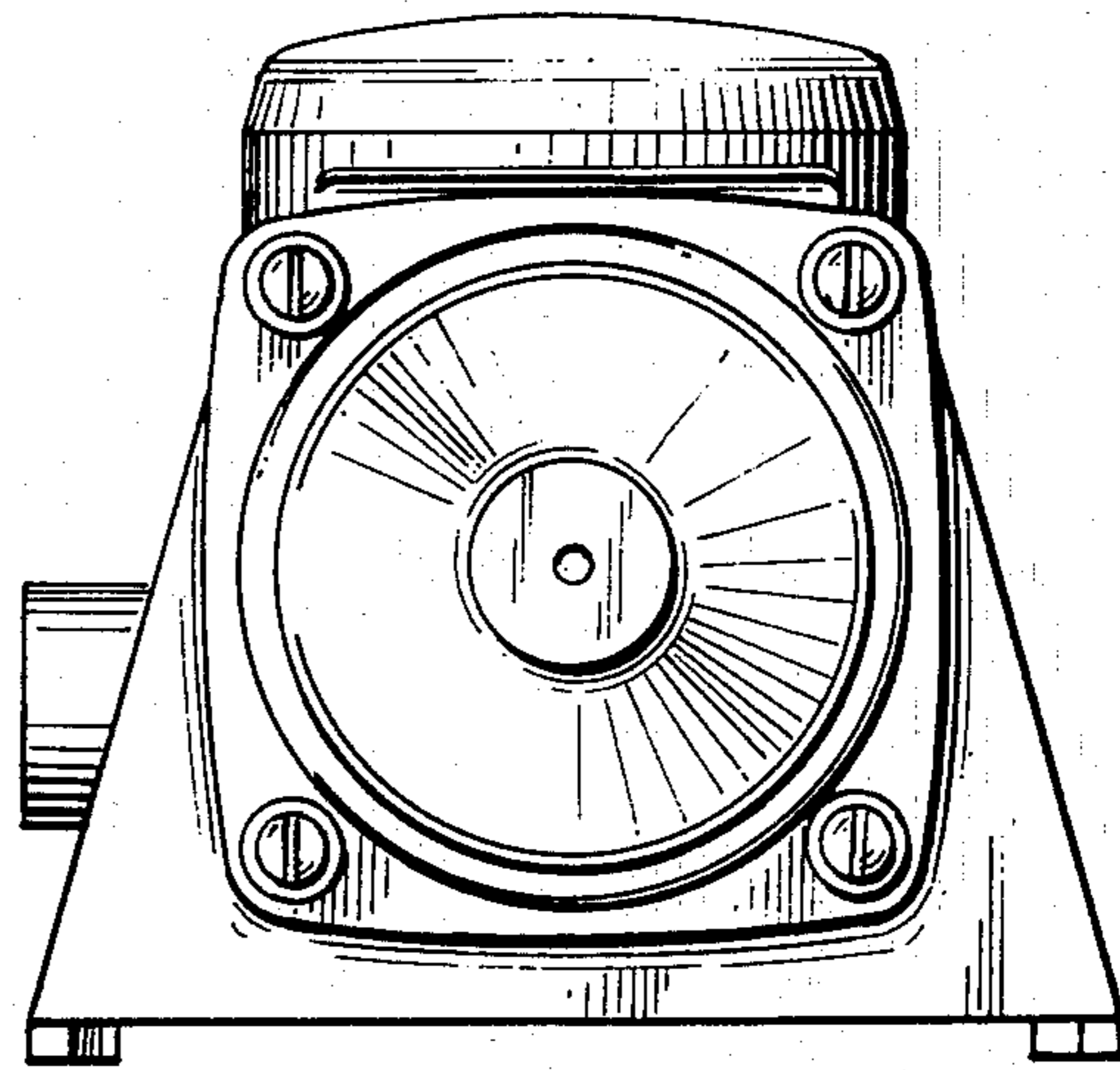


FIG. 6