

[54] HOLDER FOR PLAYING CARDS

[76] Inventor: Walter N. Herbert, 709 W. Cedar, Kalamazoo, Mich. 49007

[\*\*] Term: 14 Years

[21] Appl. No.: 607,495

[22] Filed: May 7, 1984

[52] U.S. Cl. .... D21/54

[58] Field of Search ..... D21/54; D7/76; 273/150; 40/16.6, 16.4

[56] References Cited

U.S. PATENT DOCUMENTS

- D. 229,706 12/1973 Lewis ..... D21/54
- 2,680,621 1/1956 Baumann ..... 273/150
- 2,729,452 6/1954 Crandall et al. .... 273/150

FOREIGN PATENT DOCUMENTS

134091 10/1919 United Kingdom ..... 273/150

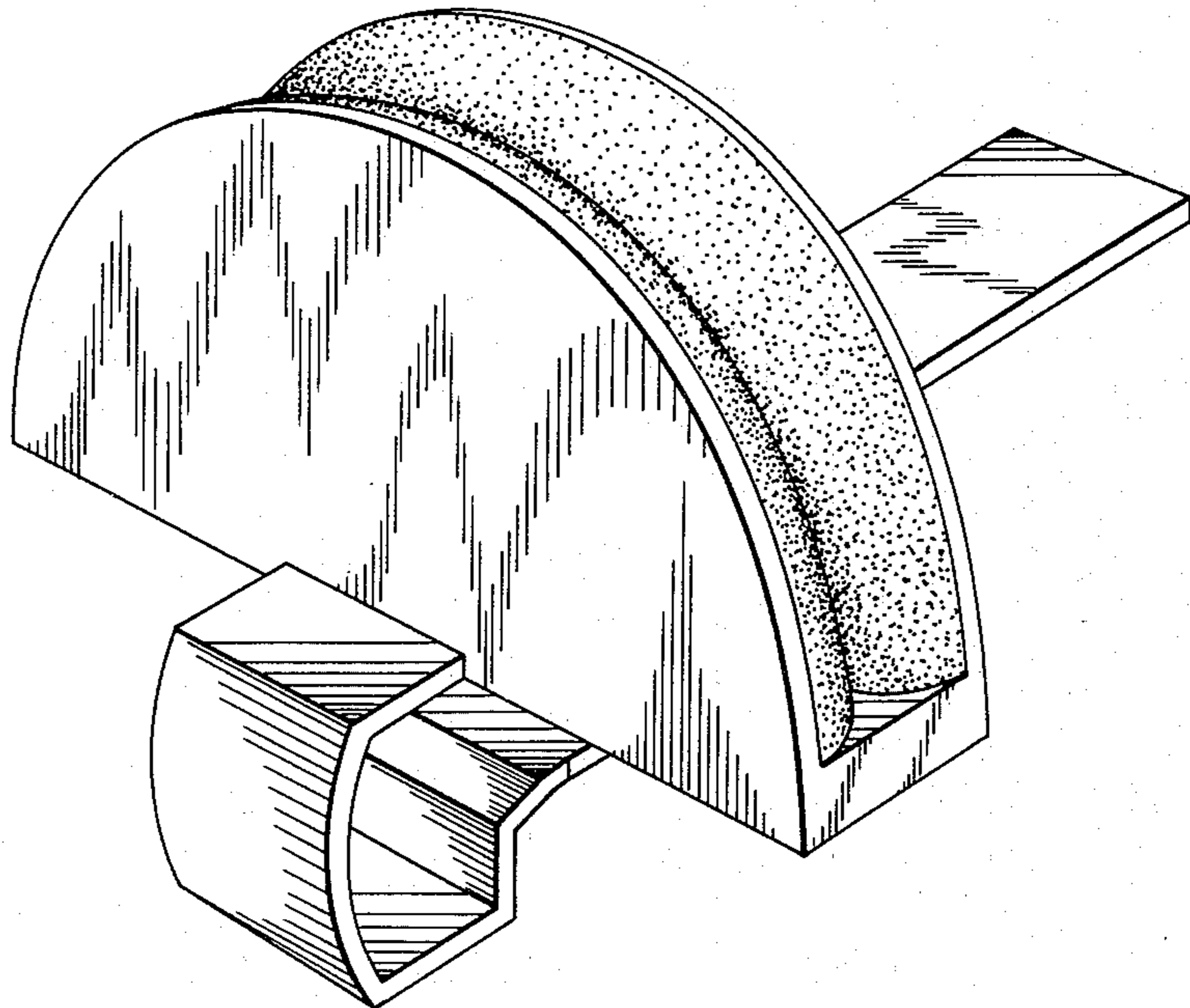
Primary Examiner—Melvin B. Feifer  
Attorney, Agent, or Firm—Flynn, Thiel, Boutell & Tanis

[57] CLAIM

The ornamental design for a holder for playing cards, as shown and described.

DESCRIPTION

FIG. 1 is a perspective view of a holder for playing cards as showing my design;  
 FIG. 2 is a front elevational view thereof;  
 FIG. 3 is a rear elevational view thereof;  
 FIG. 4 is a right side elevational view thereof, the left side elevational view being substantially identical thereto;  
 FIG. 5 is a top plan view thereof;  
 FIG. 6 is a bottom plan view thereof.



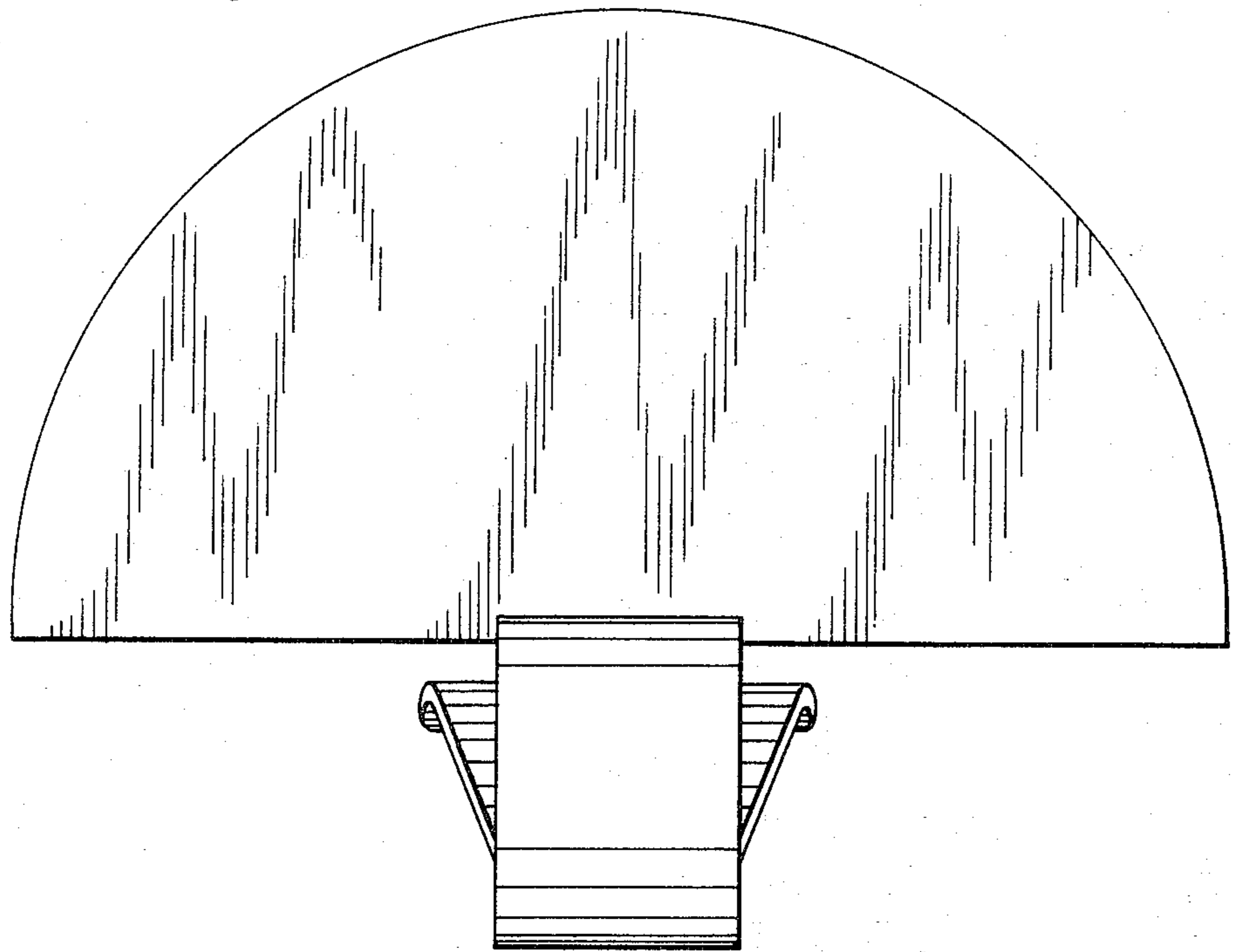
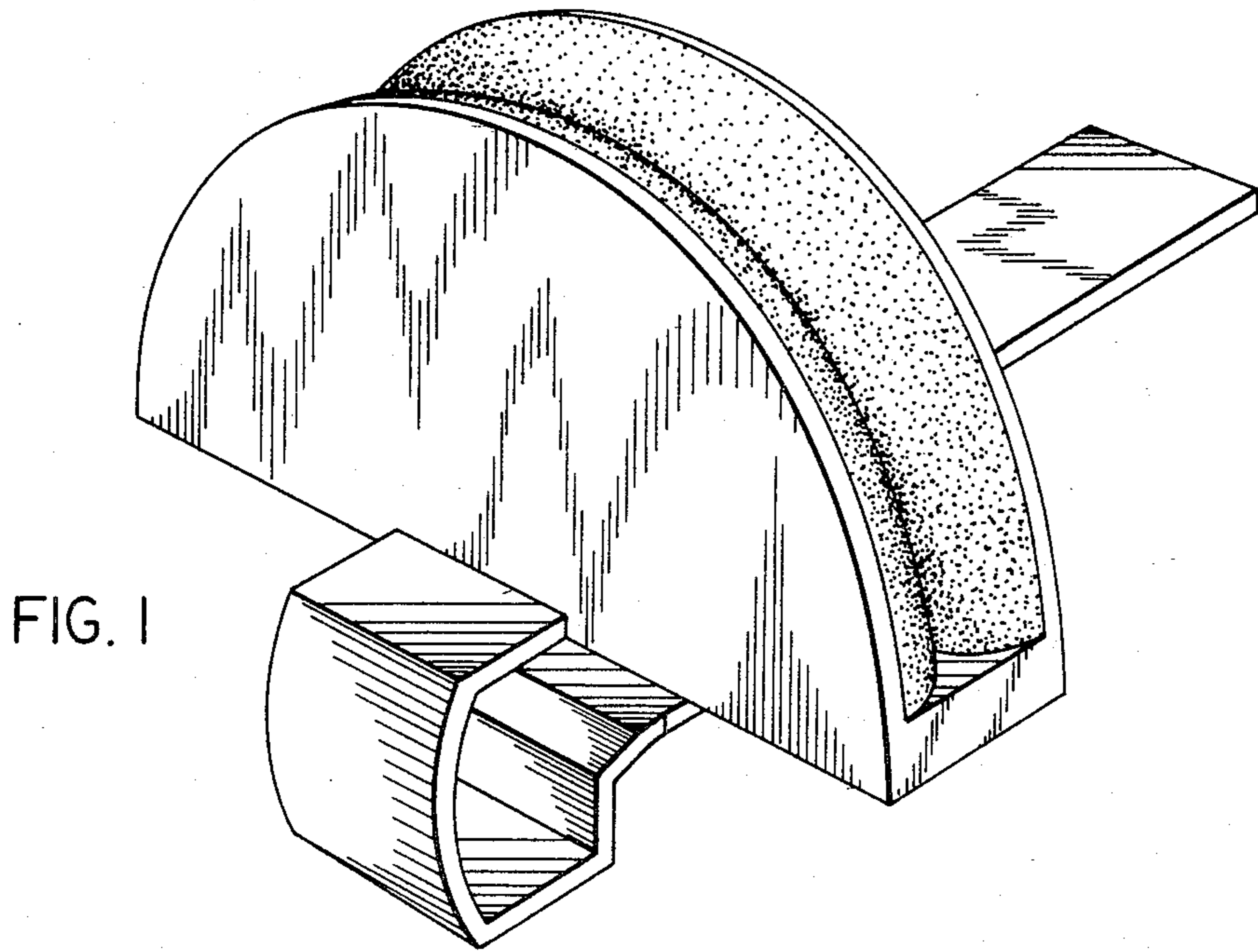


FIG. 2

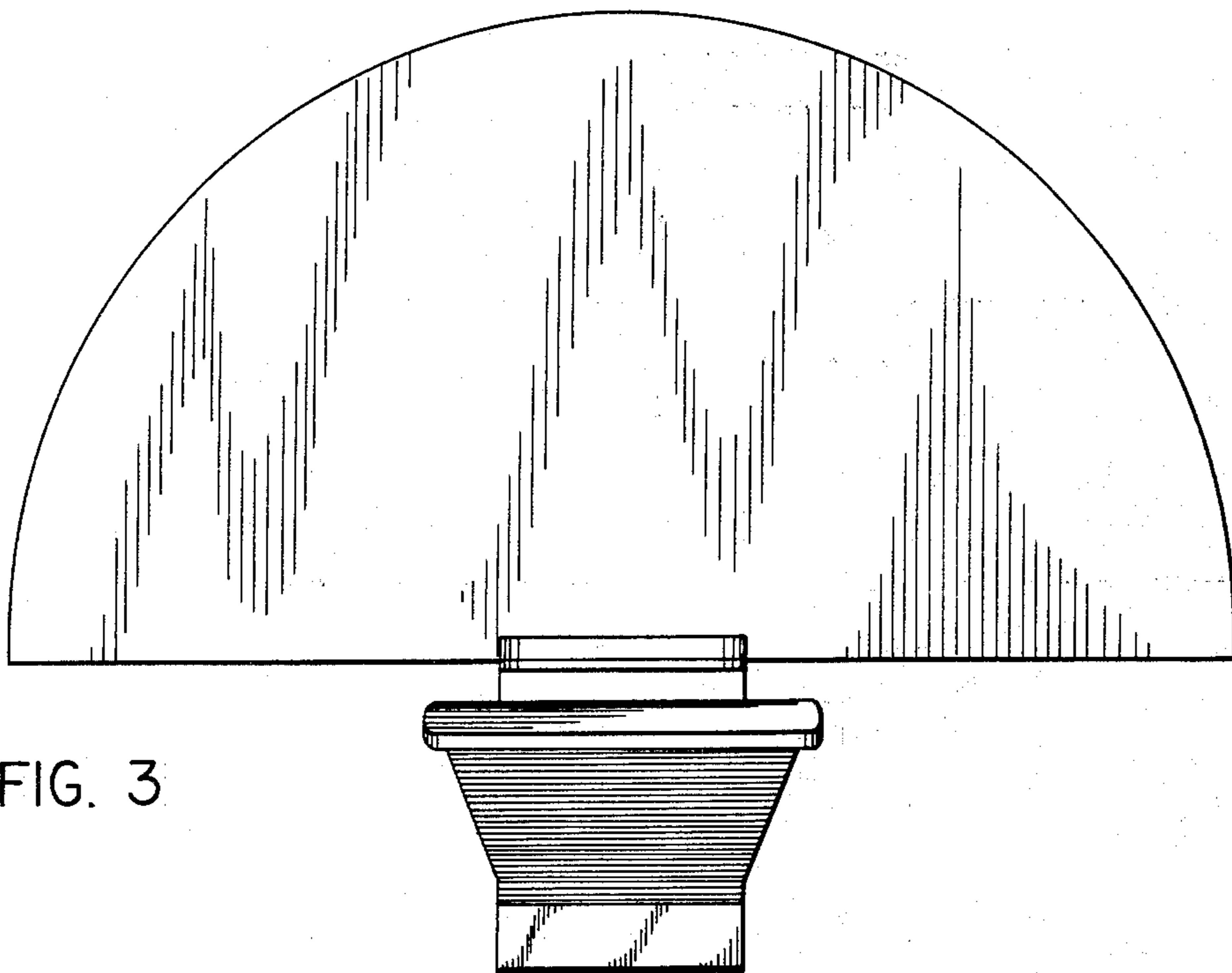


FIG. 3

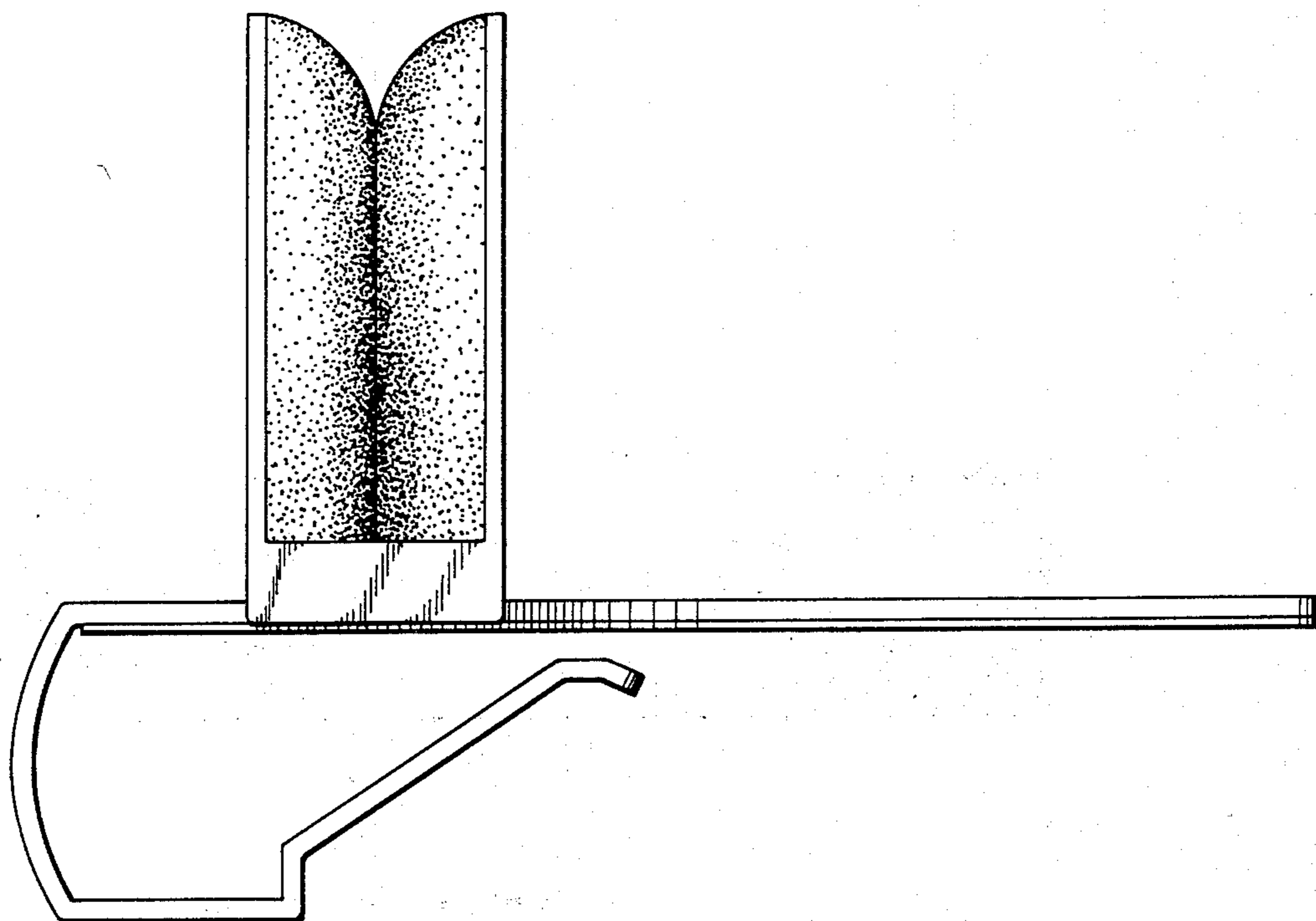


FIG. 4

