

[54] **BASE FOR NEWSPAPER VENDING MACHINE**

[75] Inventor: **Jack S. Chalabian**, Huntington Beach, Calif.

[73] Assignee: **K-Jack Engineering Company, Inc.**, Gardena, Calif.

[**] Term: **14 Years**

[21] Appl. No.: **587,280**

[22] Filed: **Mar. 7, 1984**

[52] U.S. Cl. **D20/8; D20/6**

[58] Field of Search **D20/1-9; 194/1 G, 1 K, 10, 51, 59, 65; 221/1, 8, 39, 54, 110, 154-155, 213-216, 232, 241, 279; 248/127, 158; 312/215, 234, 254, 100; D6/495, 364; D11/164; D14/82, 77**

[56] **References Cited**

U.S. PATENT DOCUMENTS

- D. 169,363 4/1953 Ellison D14/82
- D. 229,443 11/1973 Boldt et al. D14/82
- D. 235,801 7/1975 Gore D20/6
- D. 256,920 9/1980 Takashima et al. D14/82 X
- 4,312,461 1/1982 Godley, Sr. 221/279 X

OTHER PUBLICATIONS

Berkley Small catalog, p. 3, Vending Machine, one K-100.

Zenith catalog, 4-23-1976, p. 1, TV the Seabreeze-G3420W.

Primary Examiner—Bernard Ansher

Assistant Examiner—Linda Titolo

Attorney, Agent, or Firm—Beehler, Pavitt, Siegemund, Jagger, Martella, Dawes

[57] **CLAIM**

The ornamental design for a base for newspaper vending machine, substantially as shown and described.

DESCRIPTION

FIG. 1 is a top front perspective view of a base for newspaper vending machine showing my new design; FIG. 2 is a left side elevational view thereof, the right side being a mirror image thereof;

FIG. 3 is a top plan view thereof;

FIG. 4 is a front elevational view thereof, the rear view being a mirror image thereof; and

FIG. 5 is a bottom plan view thereof.

The views opposite to those illustrated in FIGS. 2 and 4 are mirror images of those illustrated in FIGS. 2 and 4.

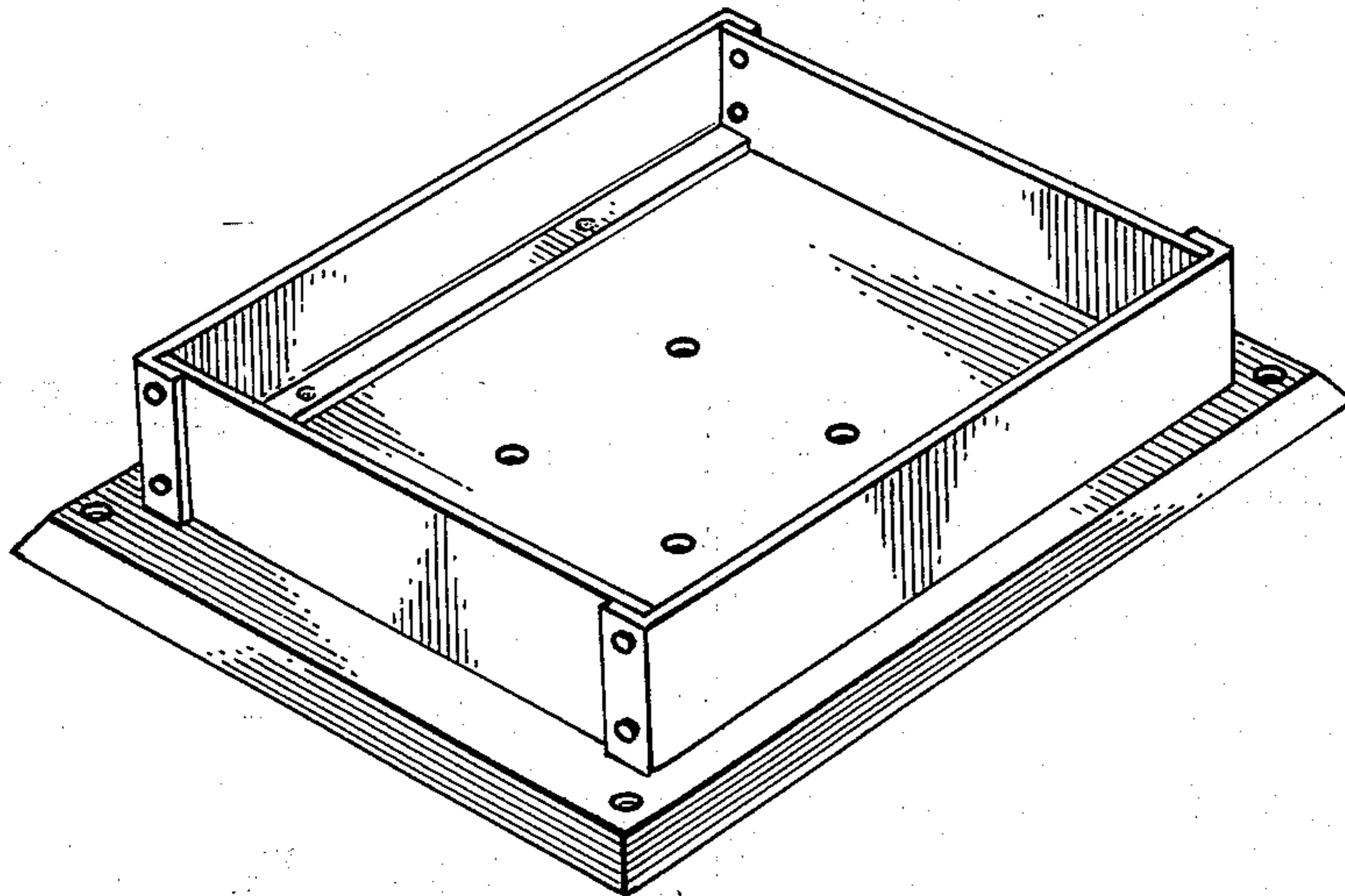


Fig. 1.

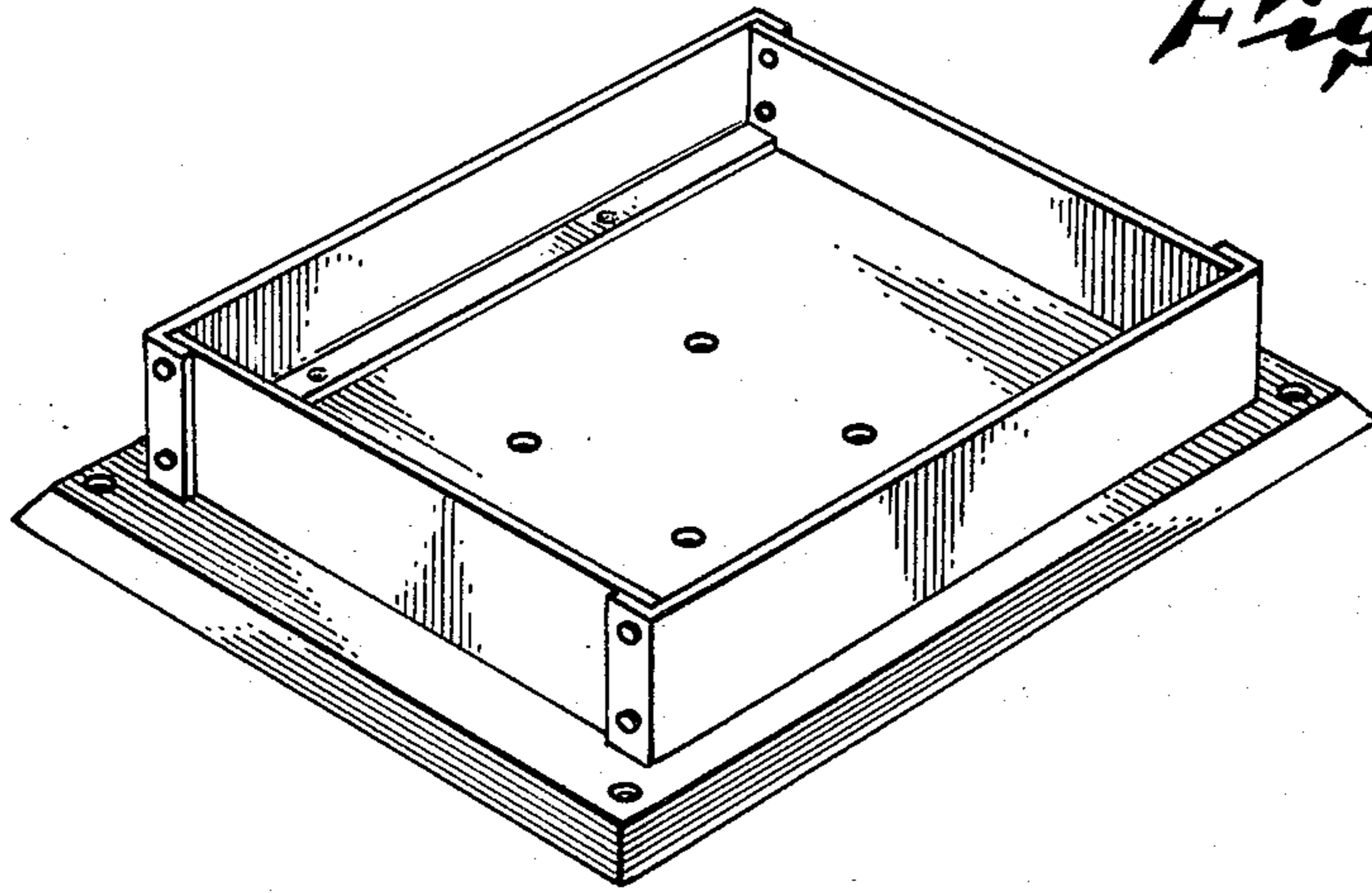


Fig. 2.



Fig. 3.

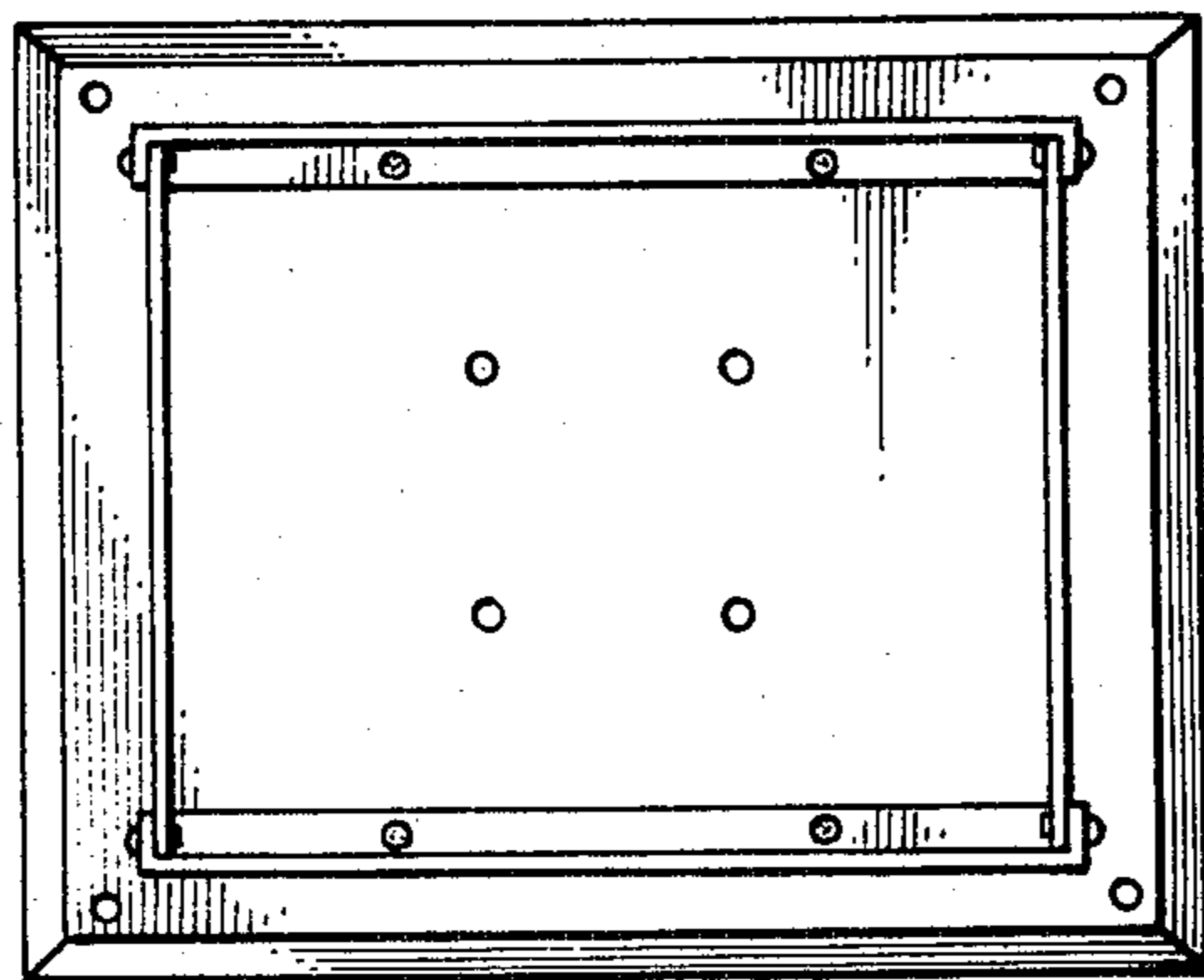


Fig. 4.

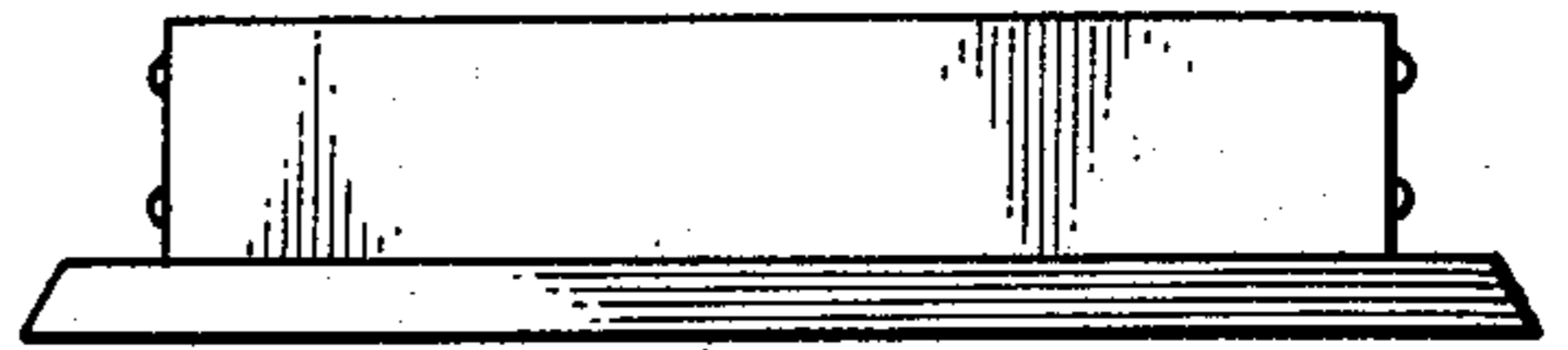


Fig. 5.

