

# United States Patent [19]

Hashimoto et al.

[11] Patent Number: **Des. 286,890**

[45] Date of Patent: **\*\* Nov. 25, 1986**

[54] **ELECTROPHOTOGRAPHIC COPYING MACHINE**

[75] Inventors: **Masanori Hashimoto; Akira Imai,**  
both of Kanagawa, Japan

[73] Assignee: **Ricoh Company, Ltd.,** Japan

[\*\*] Term: **14 Years**

[21] Appl. No.: **656,450**

[22] Filed: **Oct. 1, 1984**

[30] **Foreign Application Priority Data**

Mar. 30, 1984 [JP] Japan ..... 59-012384

[52] U.S. Cl. .... **D16/31**

[58] Field of Search ..... **D16/27-32;**  
355/3 R, 3 SH, 14 R, 14 SH, 5-11, 18-19,  
45-46, 51, 64-65

[56] **References Cited**

**U.S. PATENT DOCUMENTS**

- D. 251,912 5/1979 Nakade ..... D16/31
- D. 267,802 2/1983 Yasutani ..... D16/31
- D. 270,164 8/1983 Sawada ..... D16/31
- D. 270,540 9/1983 Sakurai ..... D16/31
- D. 276,051 10/1984 Kosako ..... D16/31
- D. 276,347 11/1984 Matsuzaka ..... D16/31
- D. 280,104 8/1985 Sutoh ..... D16/31
- D. 280,631 9/1985 Nakade ..... D16/31

- D. 280,634 9/1985 Imada ..... D16/31
- D. 280,906 10/1985 Imada ..... D16/31
- D. 280,907 10/1985 Imada ..... D16/31

**OTHER PUBLICATIONS**

*Office Products Dealer*-5/83-p. 109-Copier at bottom right.

*The Office*-5/83-p. 143-Copiers at top.

*Primary Examiner*-Nelson C. Holtje

*Attorney, Agent, or Firm*-Guy W. Shoup

[57] **CLAIM**

The ornamental design for an electrophotographic copying machine, as shown.

**DESCRIPTION**

FIG. 1 is a top and right front perspective view of an electrophotographic copying machine showing our new design, with the paper feed and copy receiving trays omitted for ease of illustration;

FIG. 2 is a front elevational view of FIG. 1;

FIG. 3 is a top plan view of FIG. 1;

FIG. 4 is a right side elevational view of FIG. 1;

FIG. 5 is a left side elevational view of FIG. 1;

FIG. 6 is a rear elevational view of FIG. 1;

FIG. 7 is a bottom plan view of FIG. 1;

FIG. 8 is a top and right front perspective view of the claimed design.

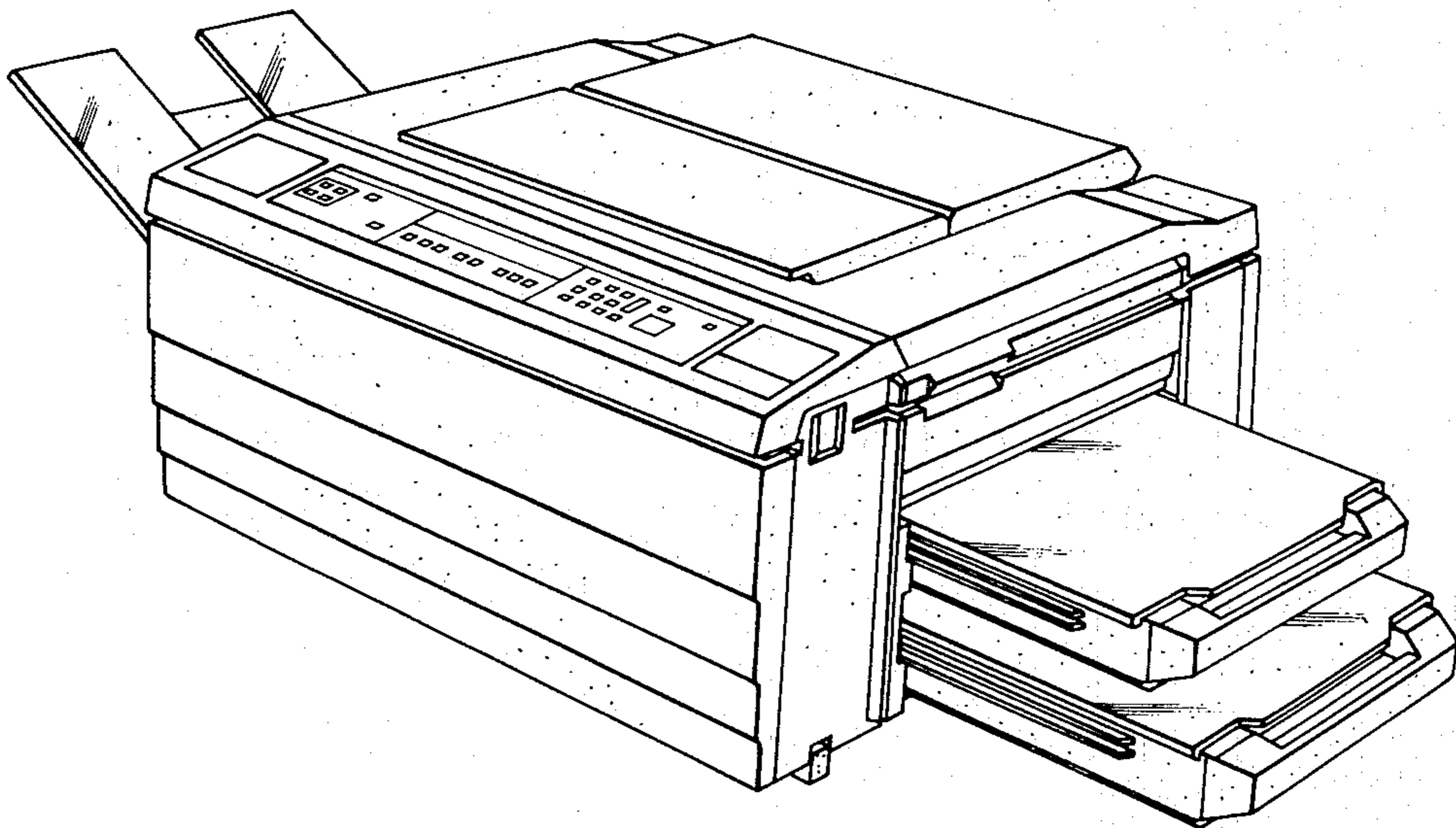


FIG. 1

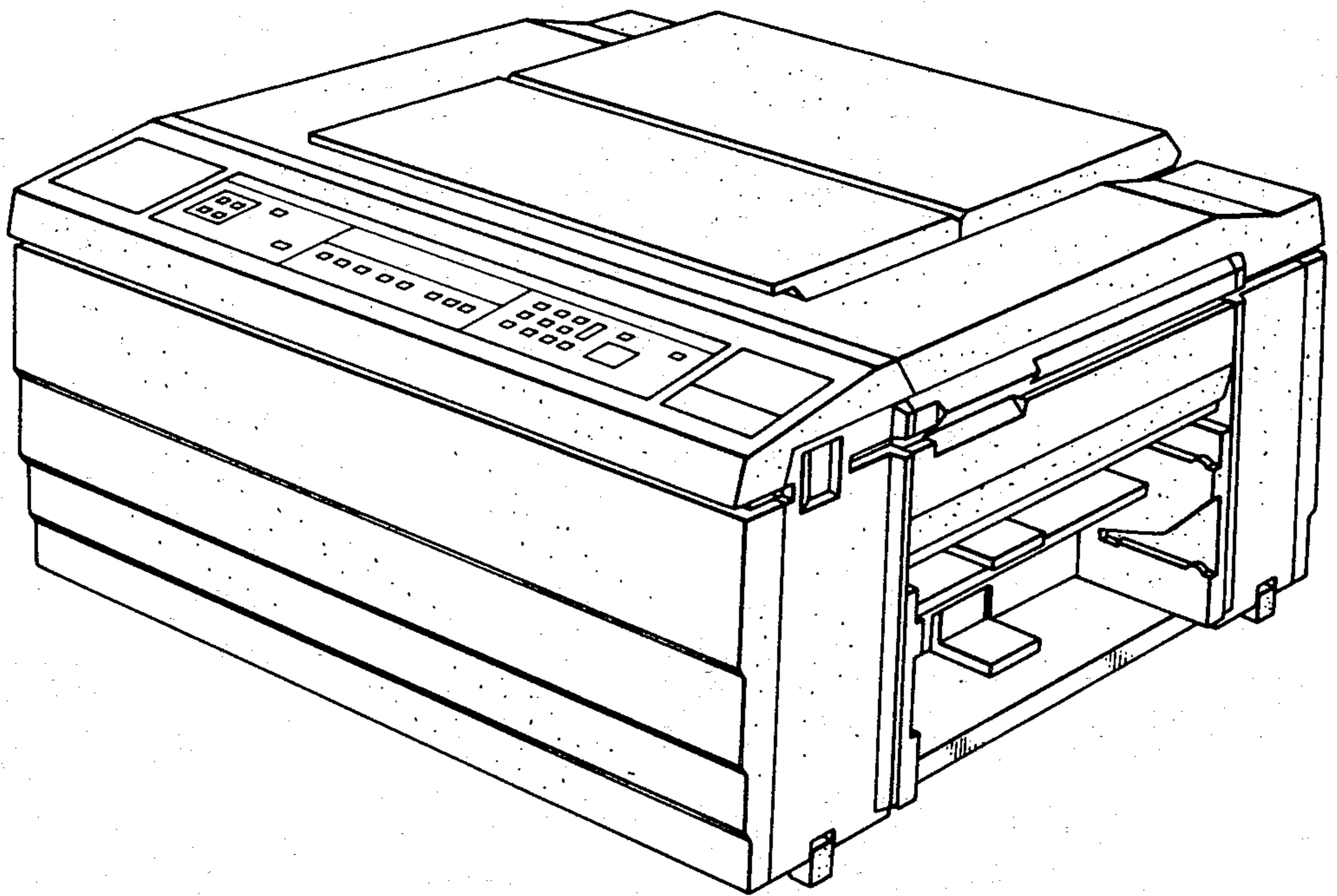


FIG. 2

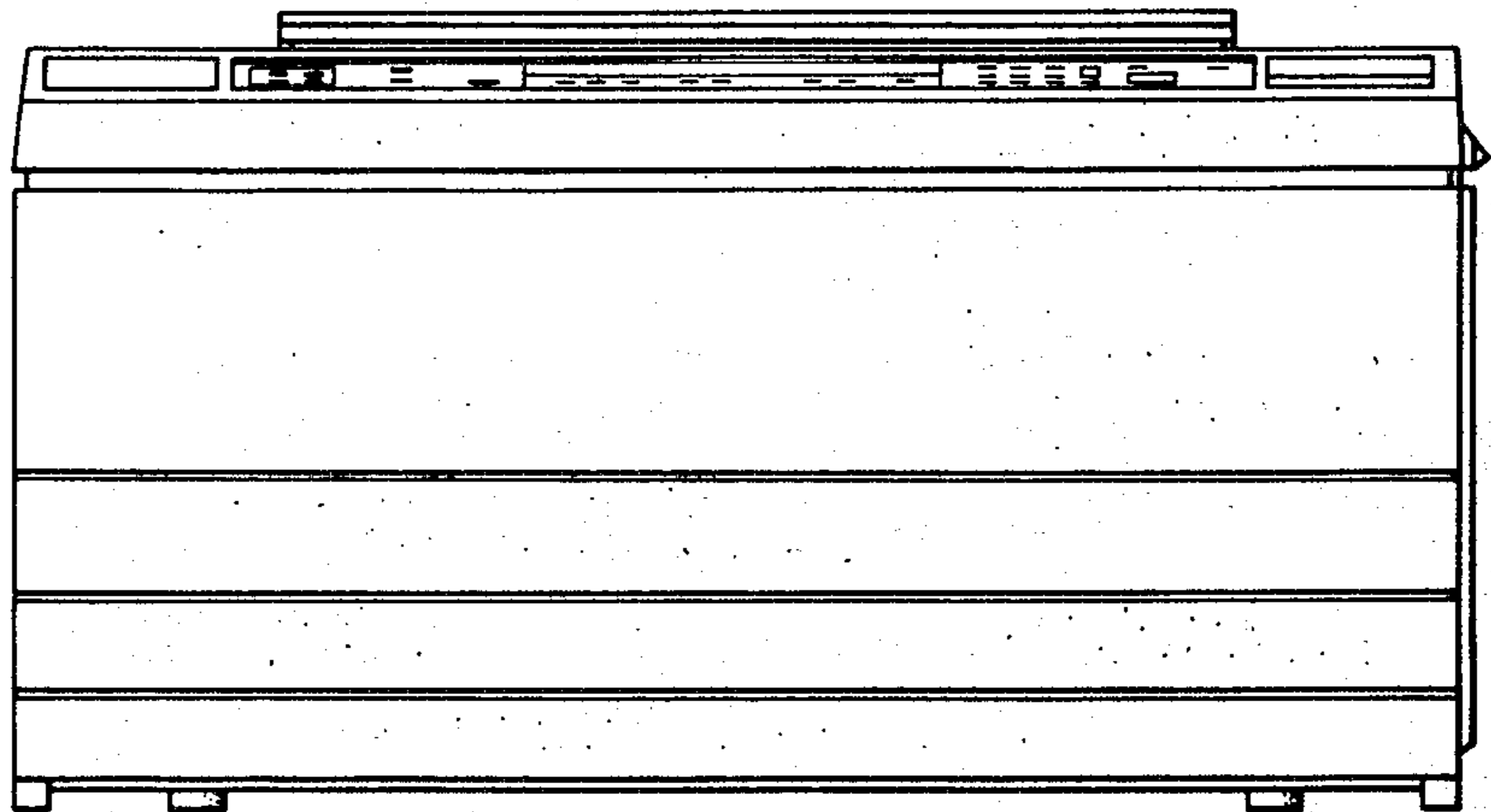


FIG. 3

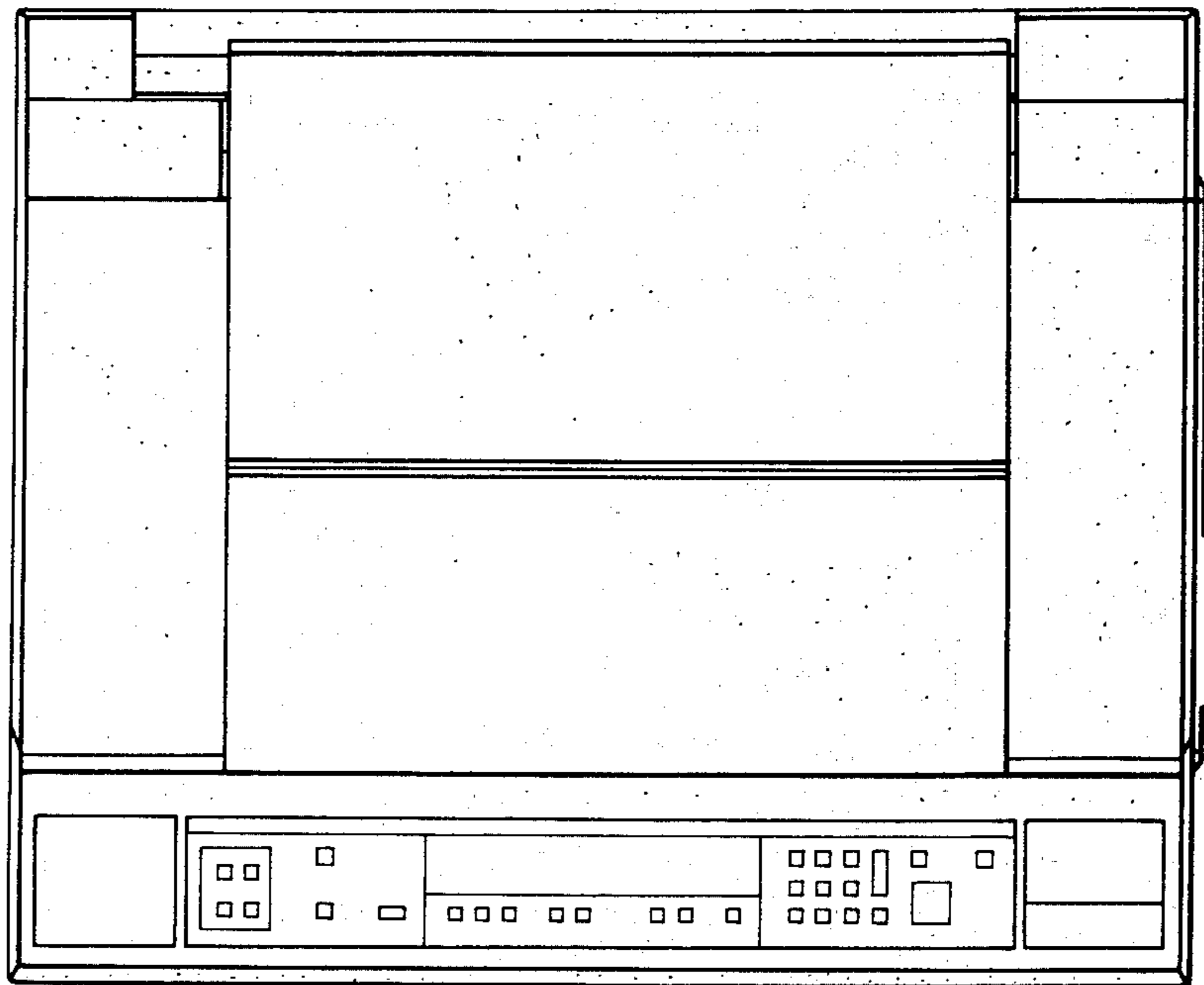


FIG. 4

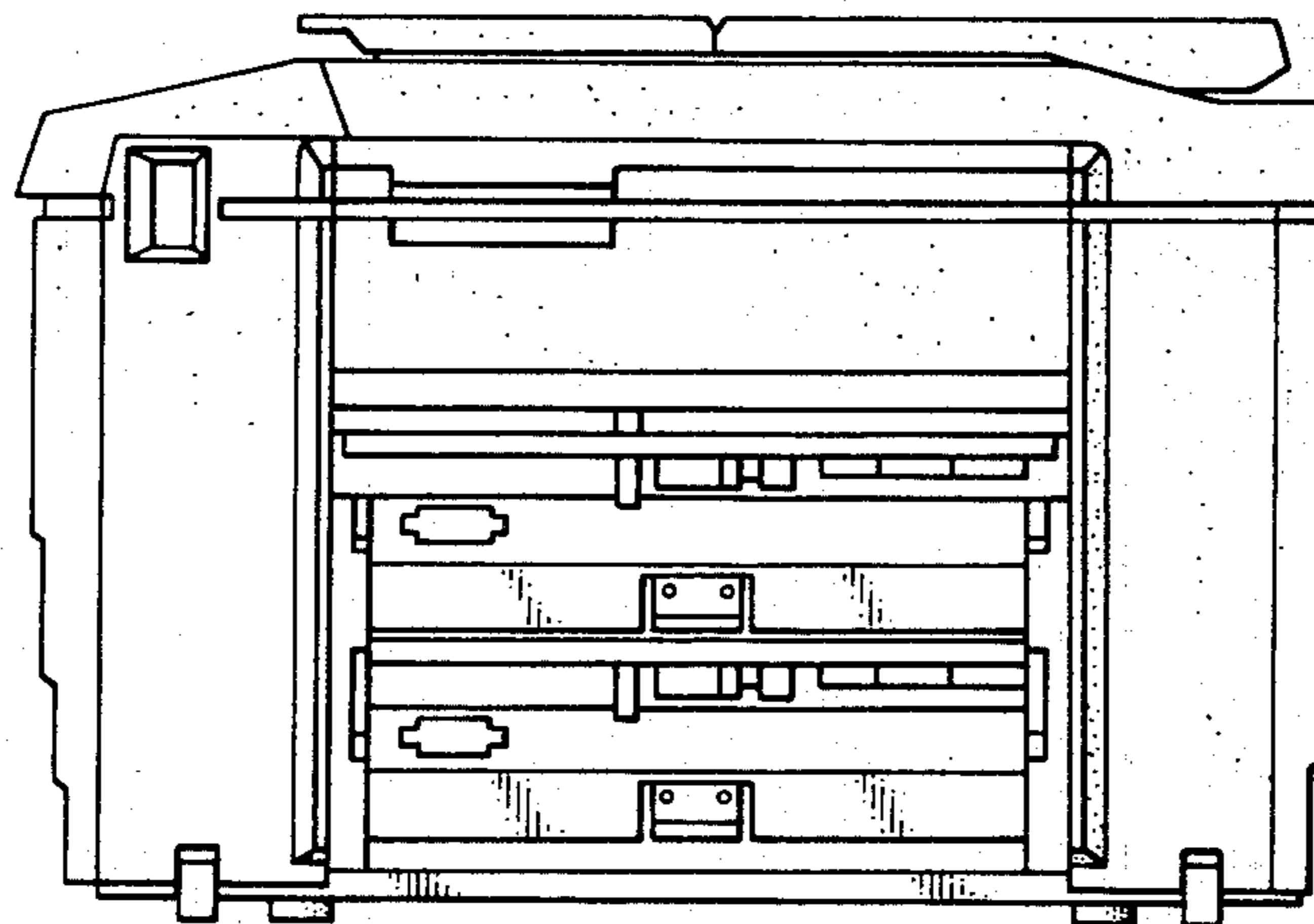


FIG. 5

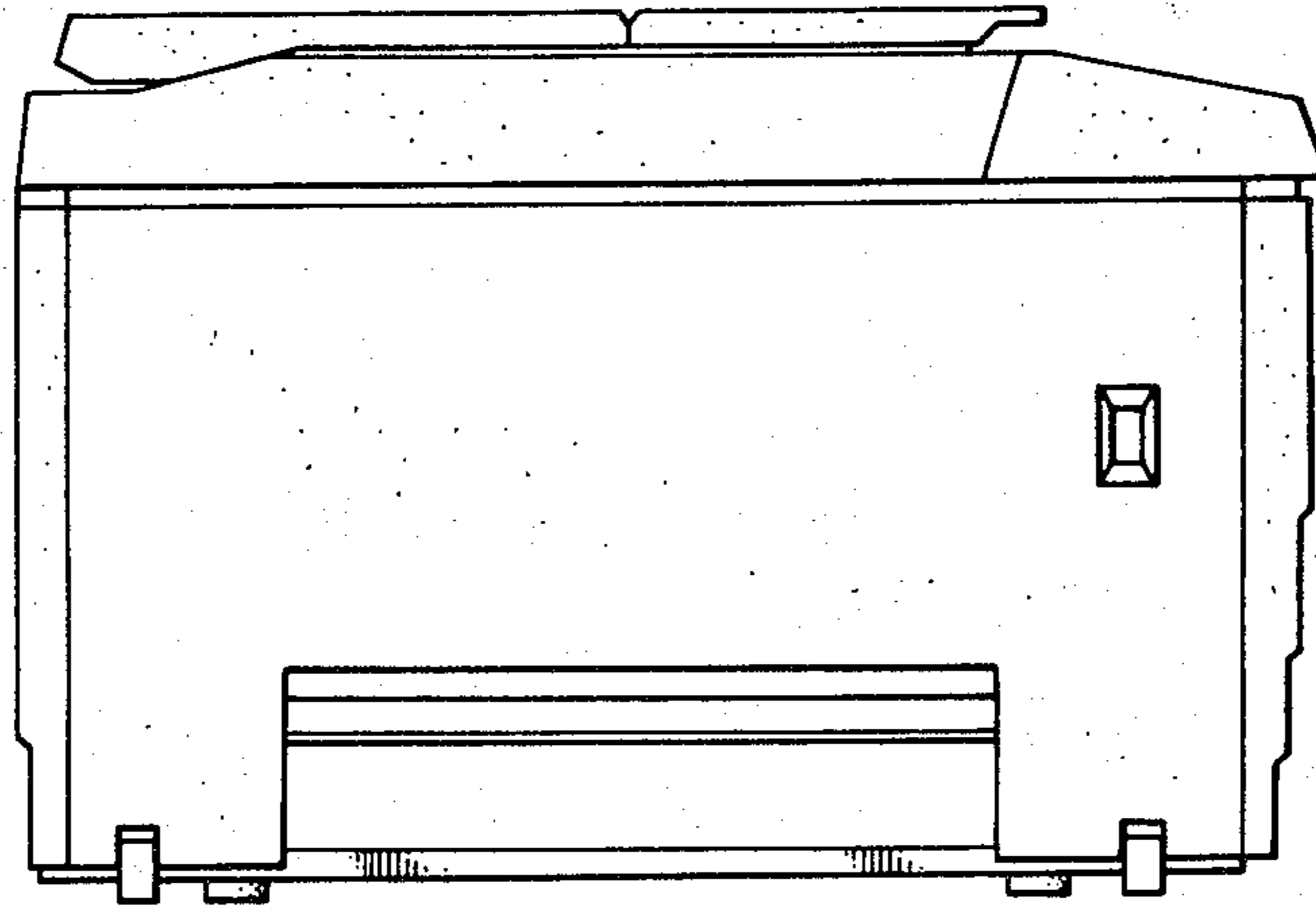


FIG. 6

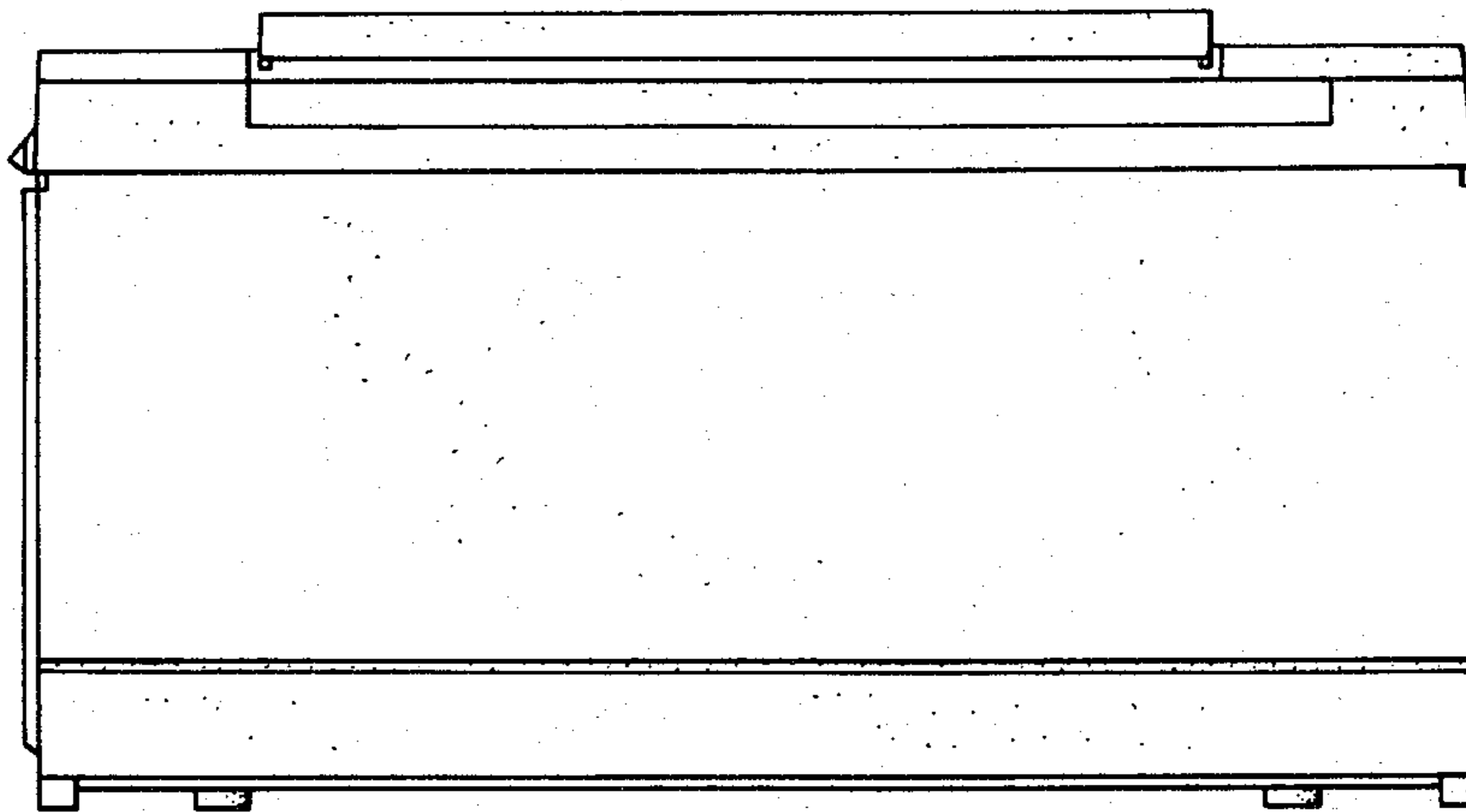


FIG. 7

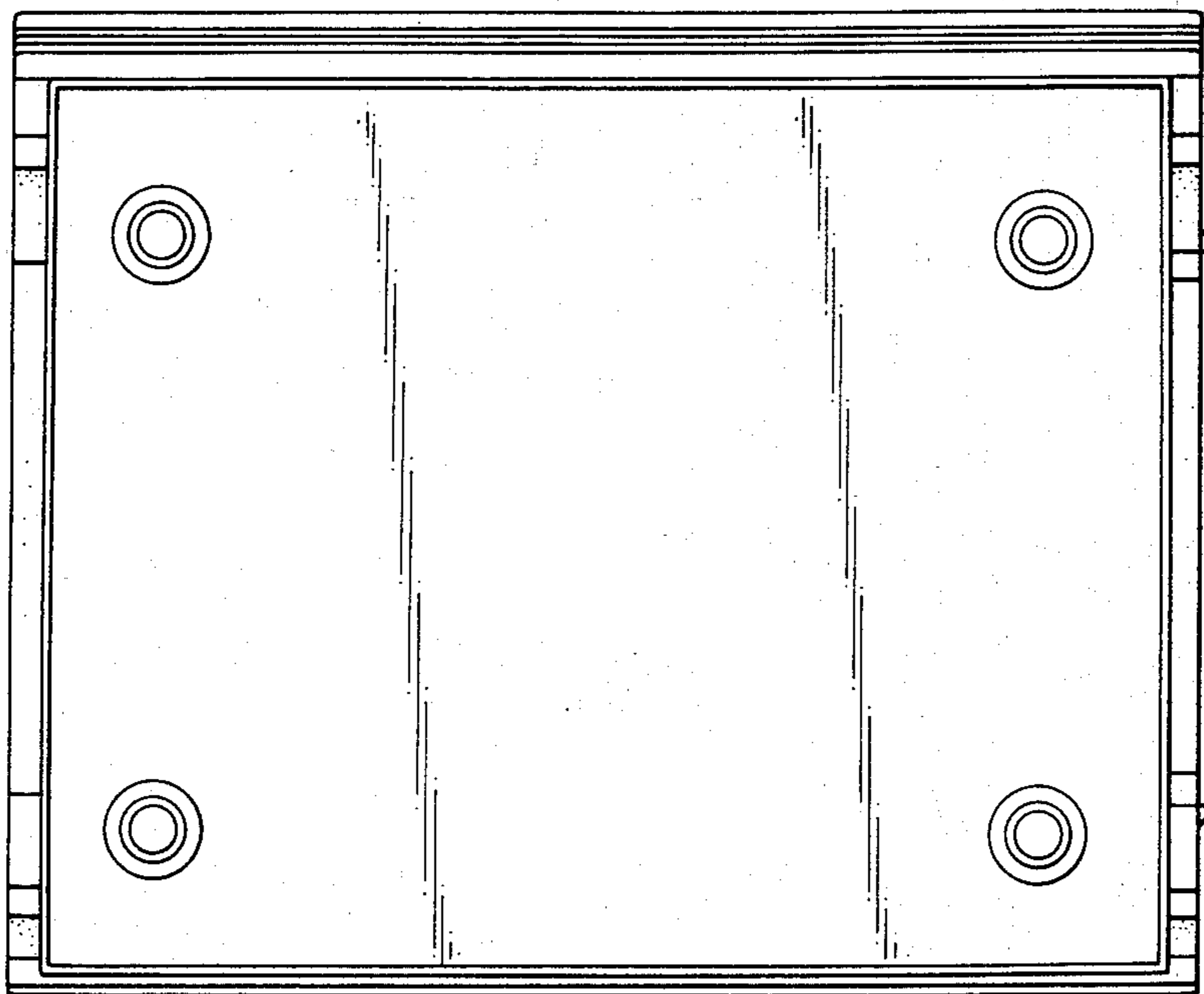


FIG. 8

