

[54] ELECTROPHOTOGRAPHIC COPYING MACHINE

[75] Inventors: Toshio Umino, Kanagawa, Japan; Andrew T. Serbinski, Brooklyn, N.Y.

[73] Assignee: Ricoh Company, Ltd., Japan

[\*\*] Term: 14 Years

[21] Appl. No.: 656,447

[22] Filed: Oct. 1, 1984

[30] Foreign Application Priority Data

Mar. 30, 1984 [JP] Japan ..... 59-012387

[52] U.S. Cl. .... D16/31

[58] Field of Search ..... D16/27-32; 355/3 R, 3 SH, 14 R, 14 SH, 5-11, 18-19, 45-46, 51, 64-65

[56] References Cited

U.S. PATENT DOCUMENTS

- D. 267,802 2/1983 Yasutani ..... D16/31
- D. 270,164 8/1983 Sawada ..... D16/31
- D. 270,540 9/1983 Sakurai ..... D16/31
- D. 276,051 10/1984 Kosako ..... D16/31
- D. 280,634 9/1985 Imada ..... D16/31
- D. 280,906 10/1985 Imada ..... D16/31
- D. 280,907 10/1985 Imada ..... D16/31

OTHER PUBLICATIONS

*The Office*-5/83, p. 143-Copiers at top.  
*Xerox 1020 brochure*-5/84-Copier on front.  
*Office Products Dealer*-5/83-p. 109-Copiers.

*Primary Examiner*-Nelson C. Holtje  
*Attorney, Agent, or Firm*-Guy W. Shoup

[57] CLAIM

The ornamental design for an electrophotographic copying machine, as shown.

DESCRIPTION

FIG. 1 is a top and right front perspective view of an electrophotographic copying machine showing our new design, with the paper feed and copy receiving trays omitted for ease of illustration;  
 FIG. 2 is a front elevational view of FIG. 1;  
 FIG. 3 is a top plan view of FIG. 1;  
 FIG. 4 is a right side elevational view of FIG. 1;  
 FIG. 5 is a left side elevational view of FIG. 1;  
 FIG. 6 is a rear elevational view of FIG. 1;  
 FIG. 7 is a bottom plan view of FIG. 1;  
 FIG. 8 is a top and right front perspective view of the claimed design;  
 FIG. 9 is a top and left front perspective view of the claimed design with one tray folded.

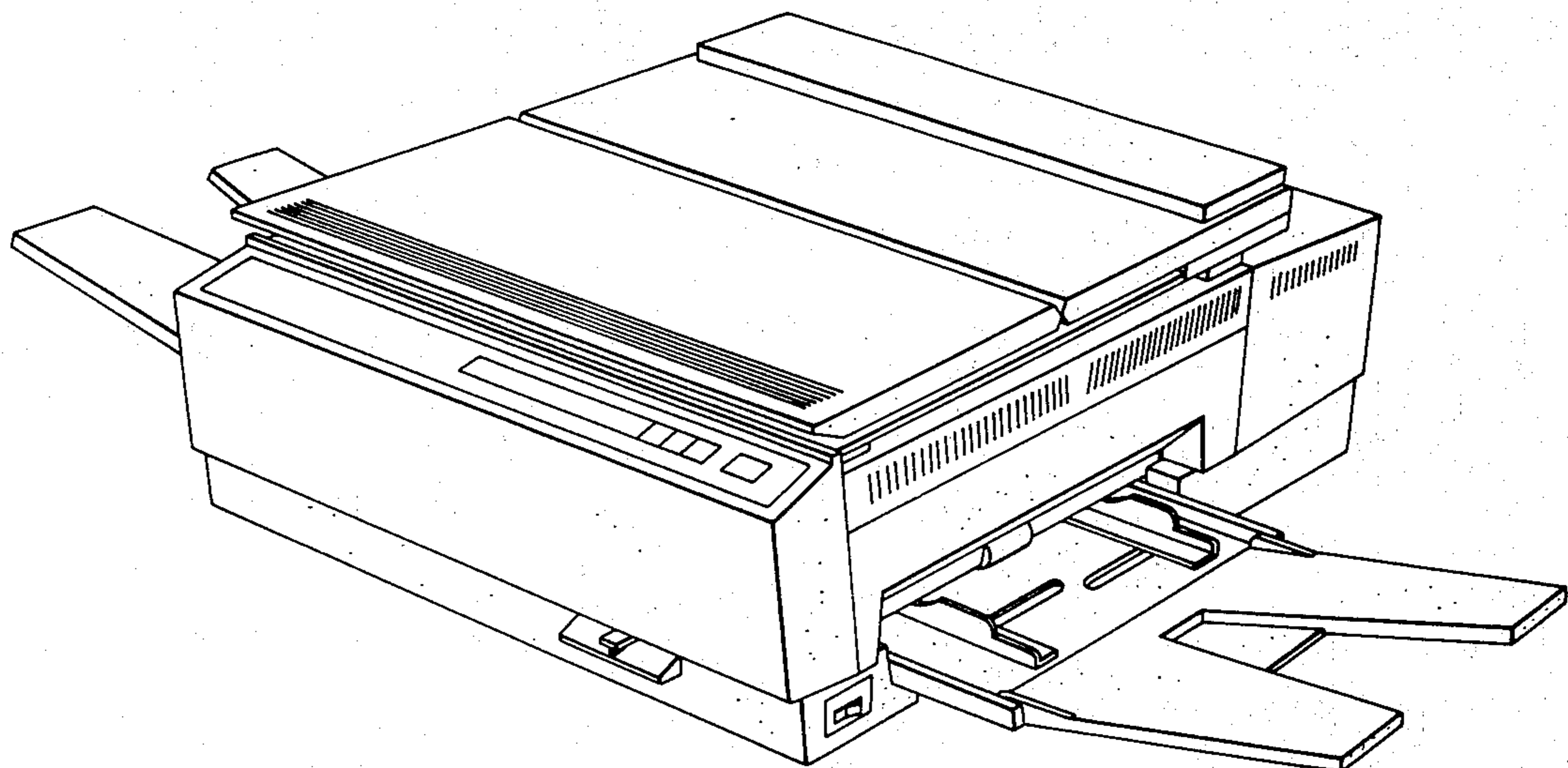


FIG. 1

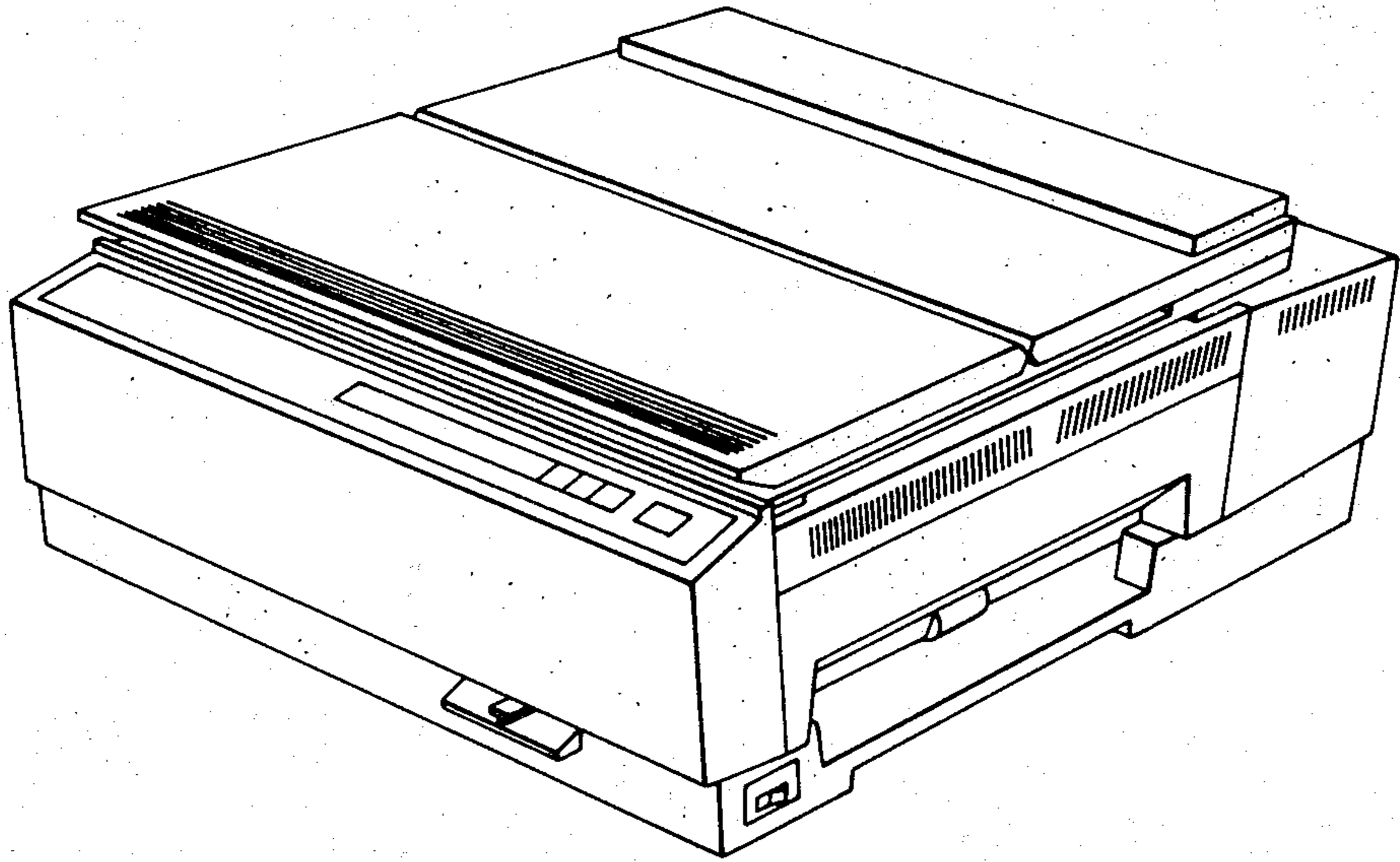


FIG. 2

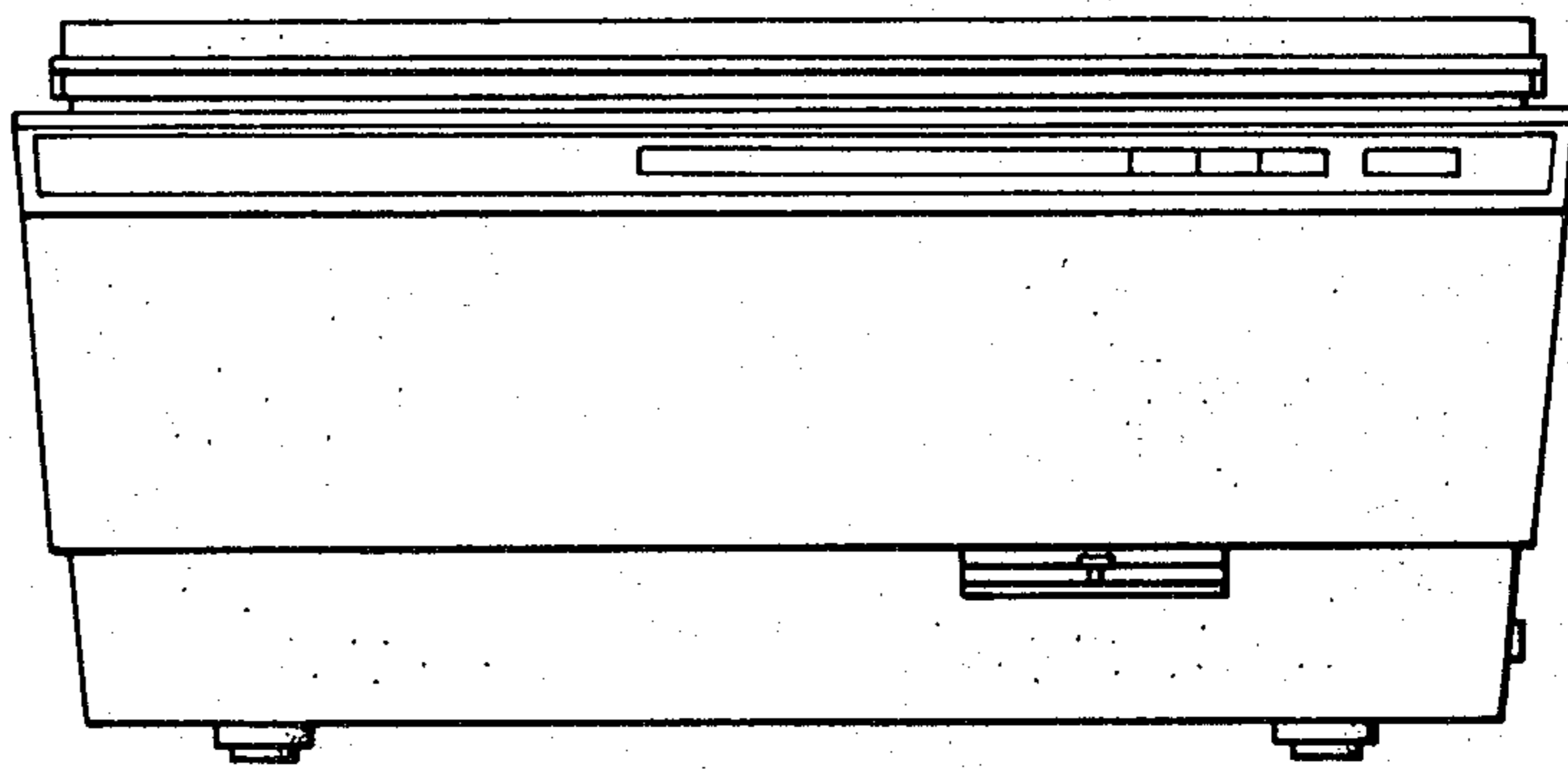


FIG. 3

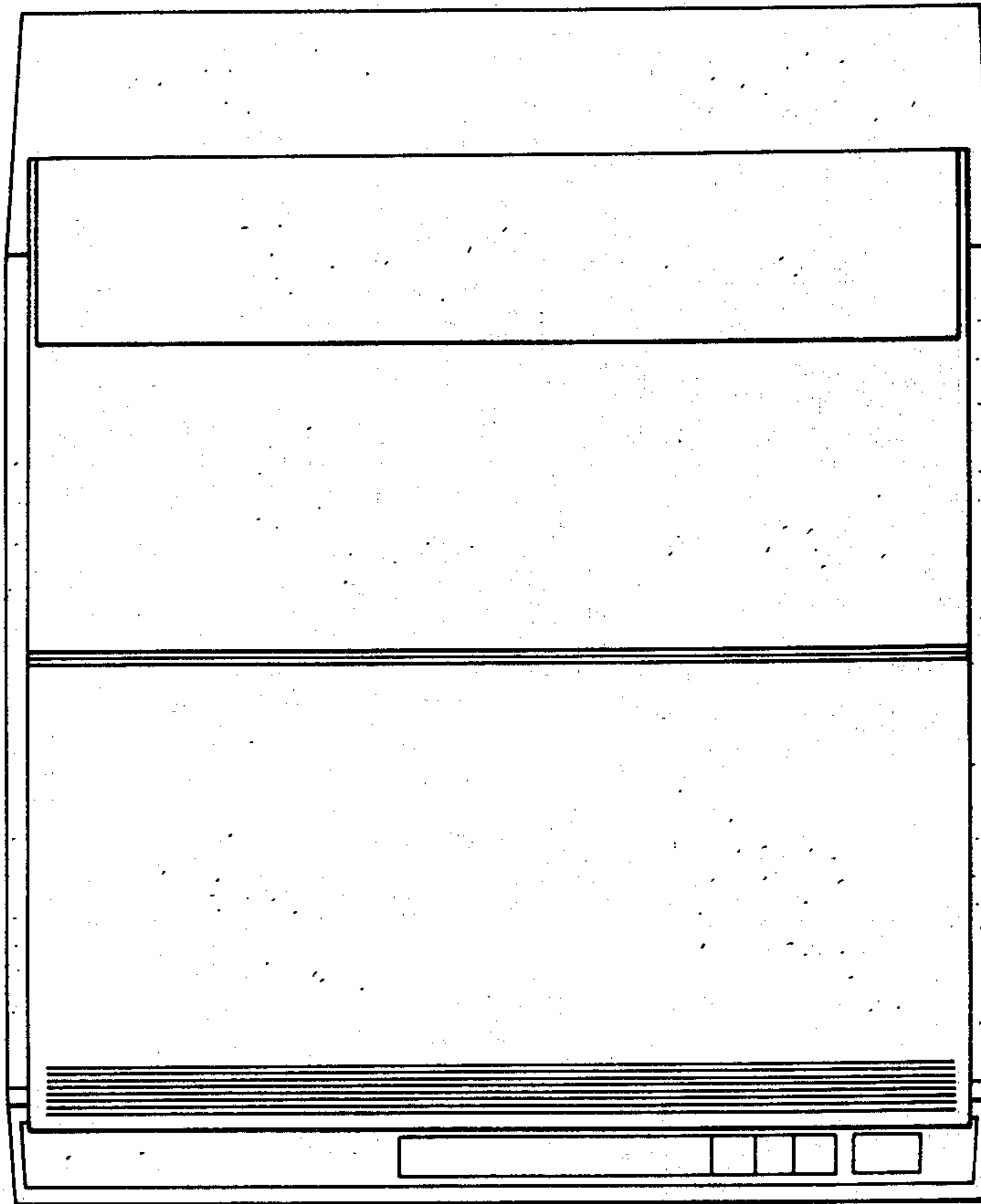


FIG. 4

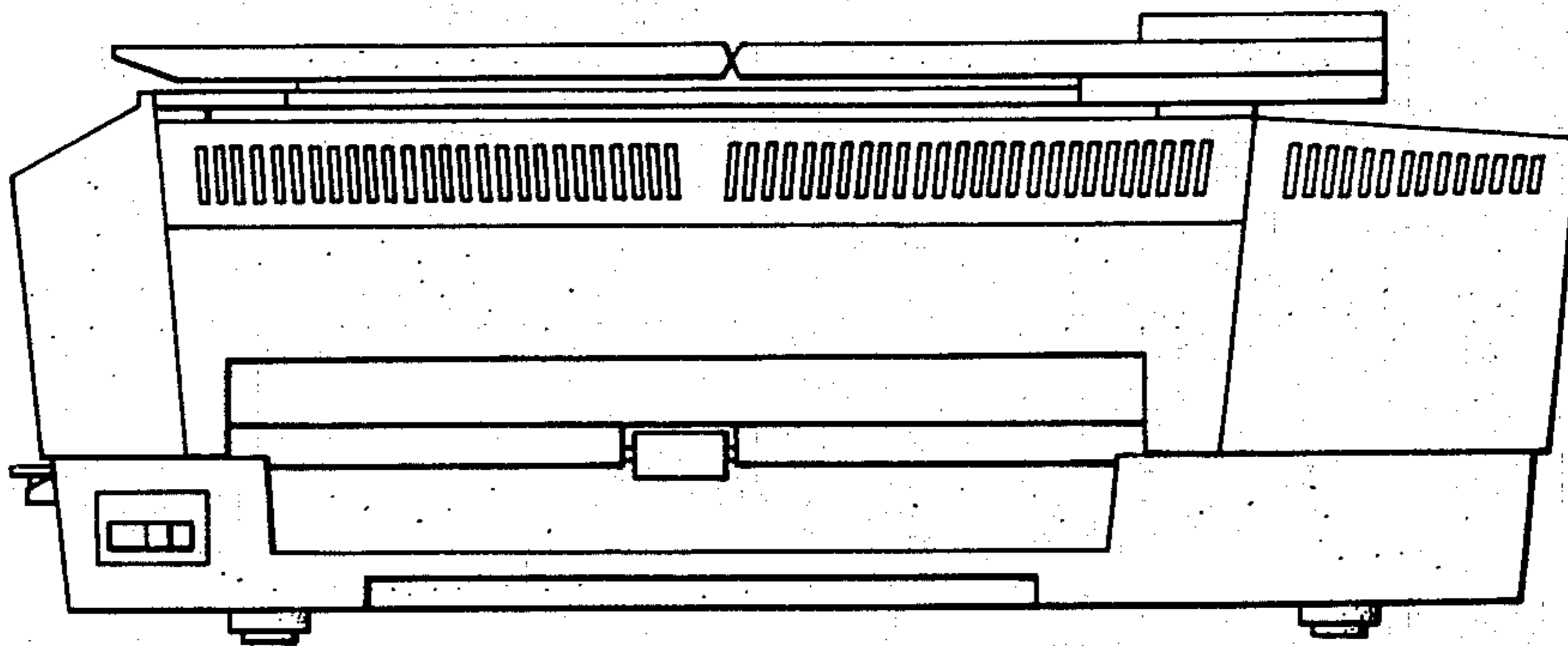


FIG. 5

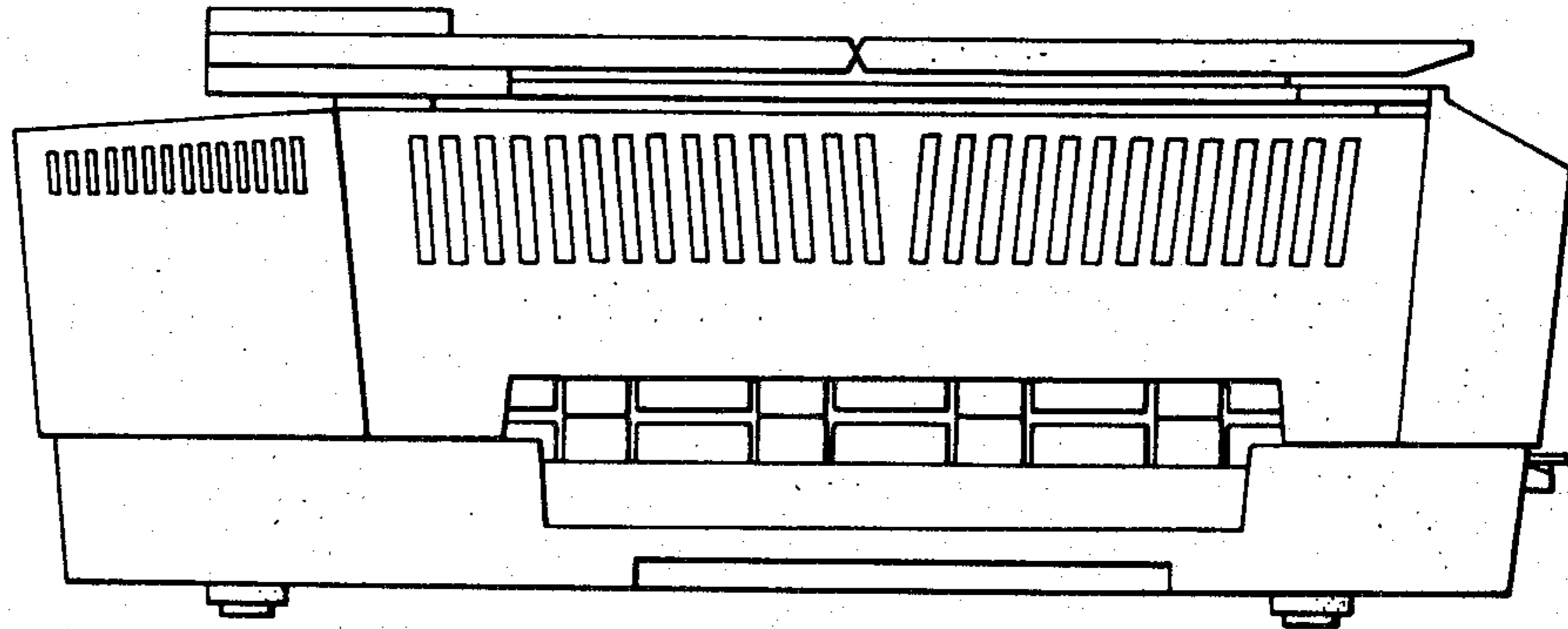


FIG. 6

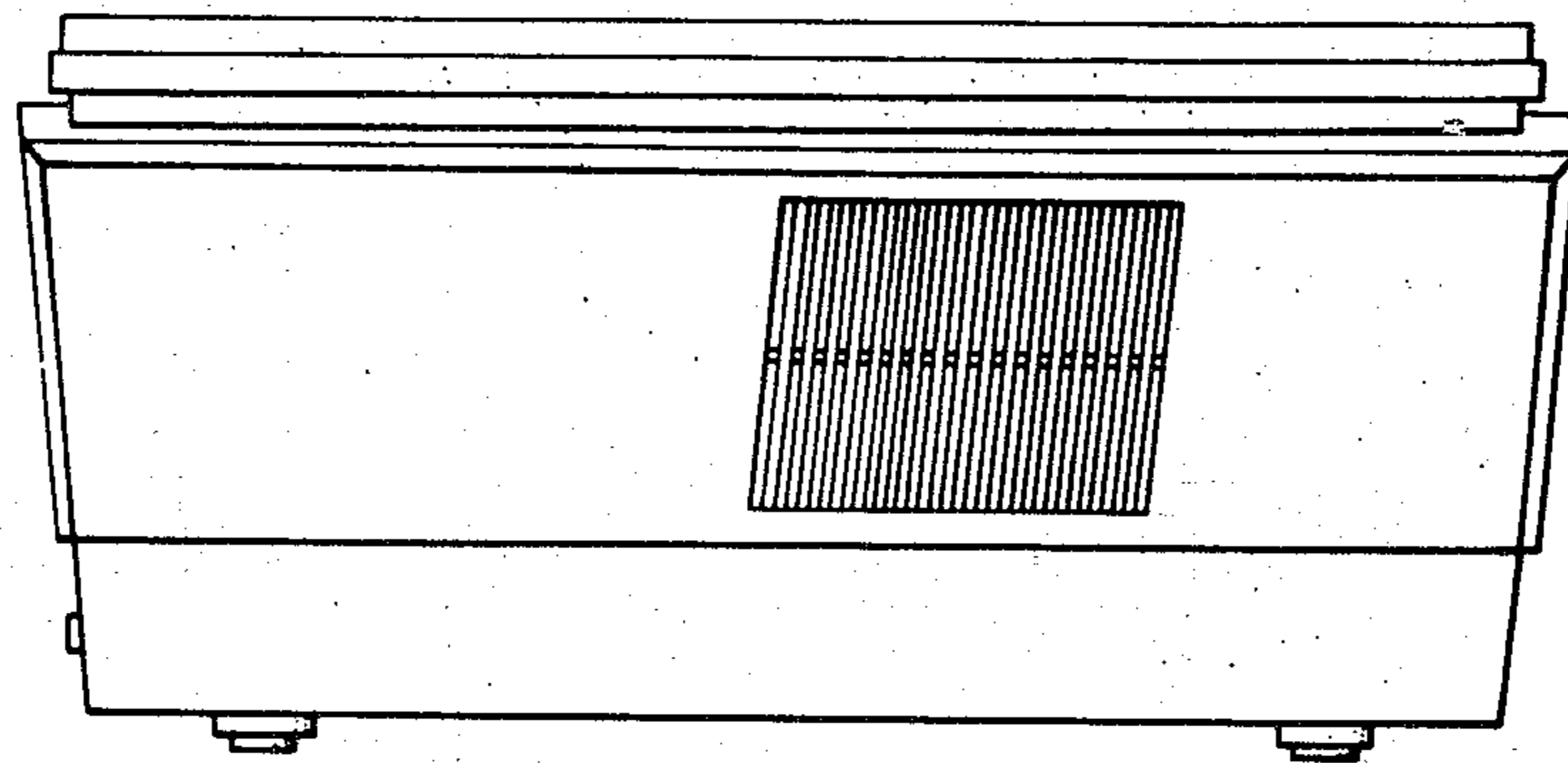
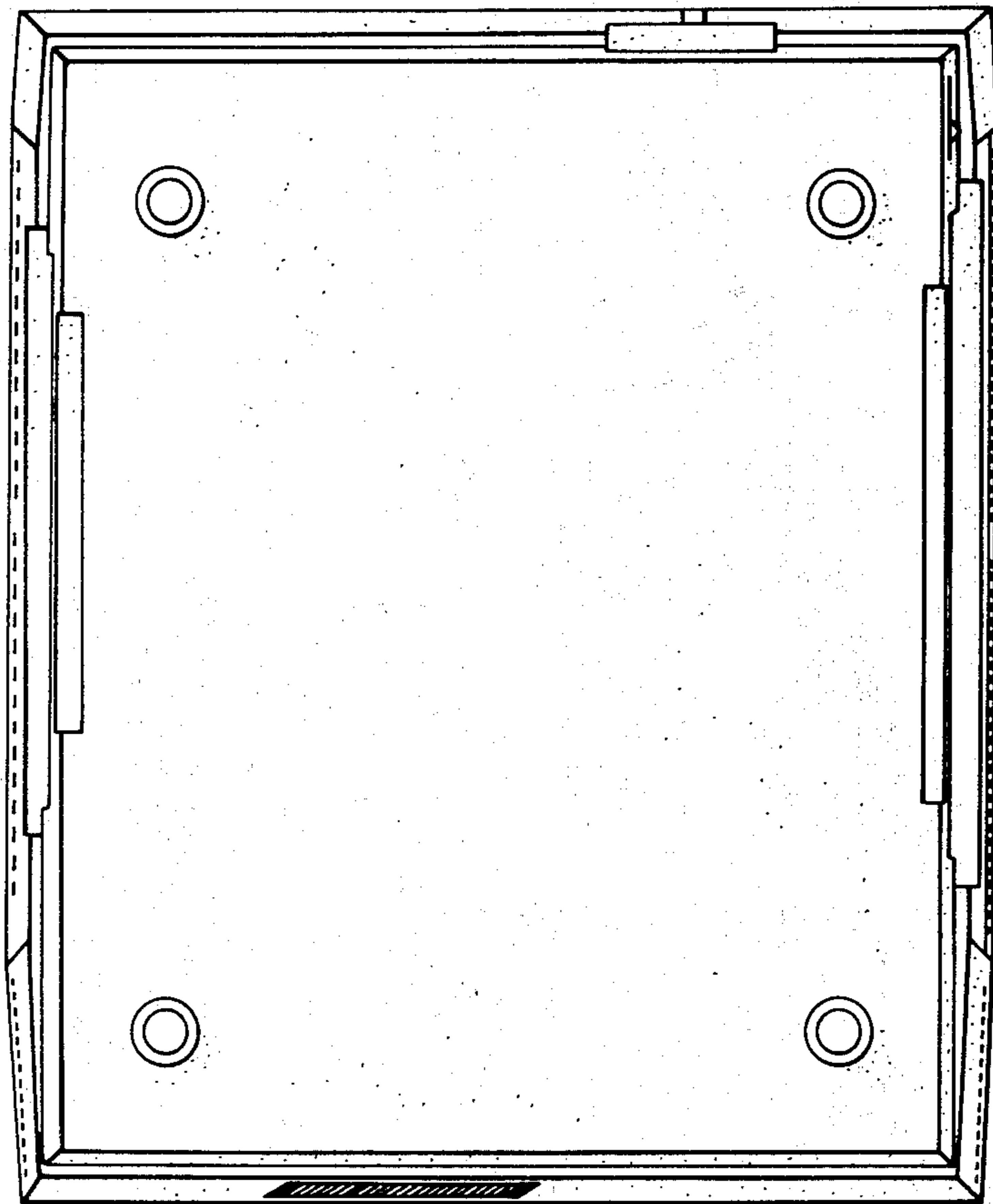


FIG. 7



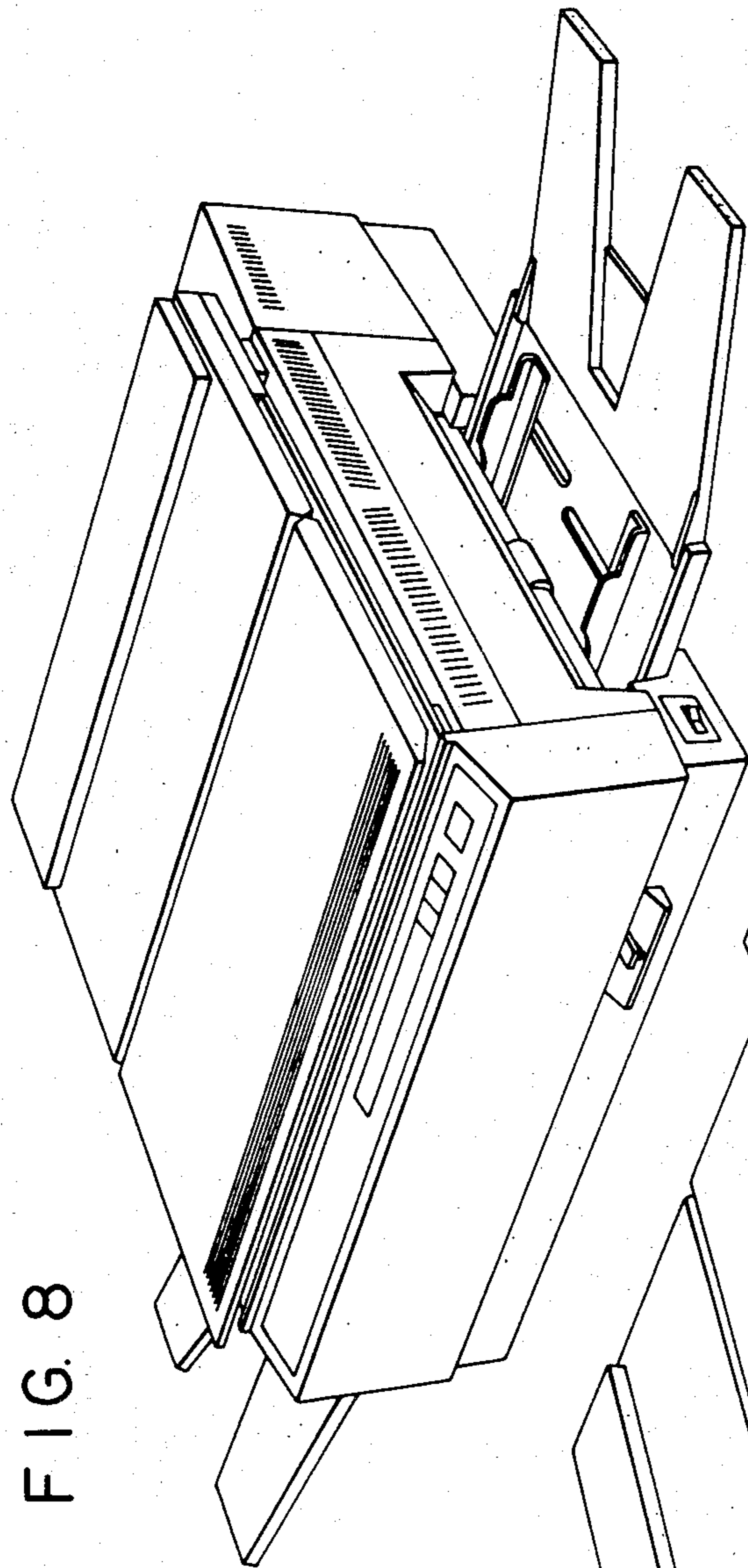


FIG. 8

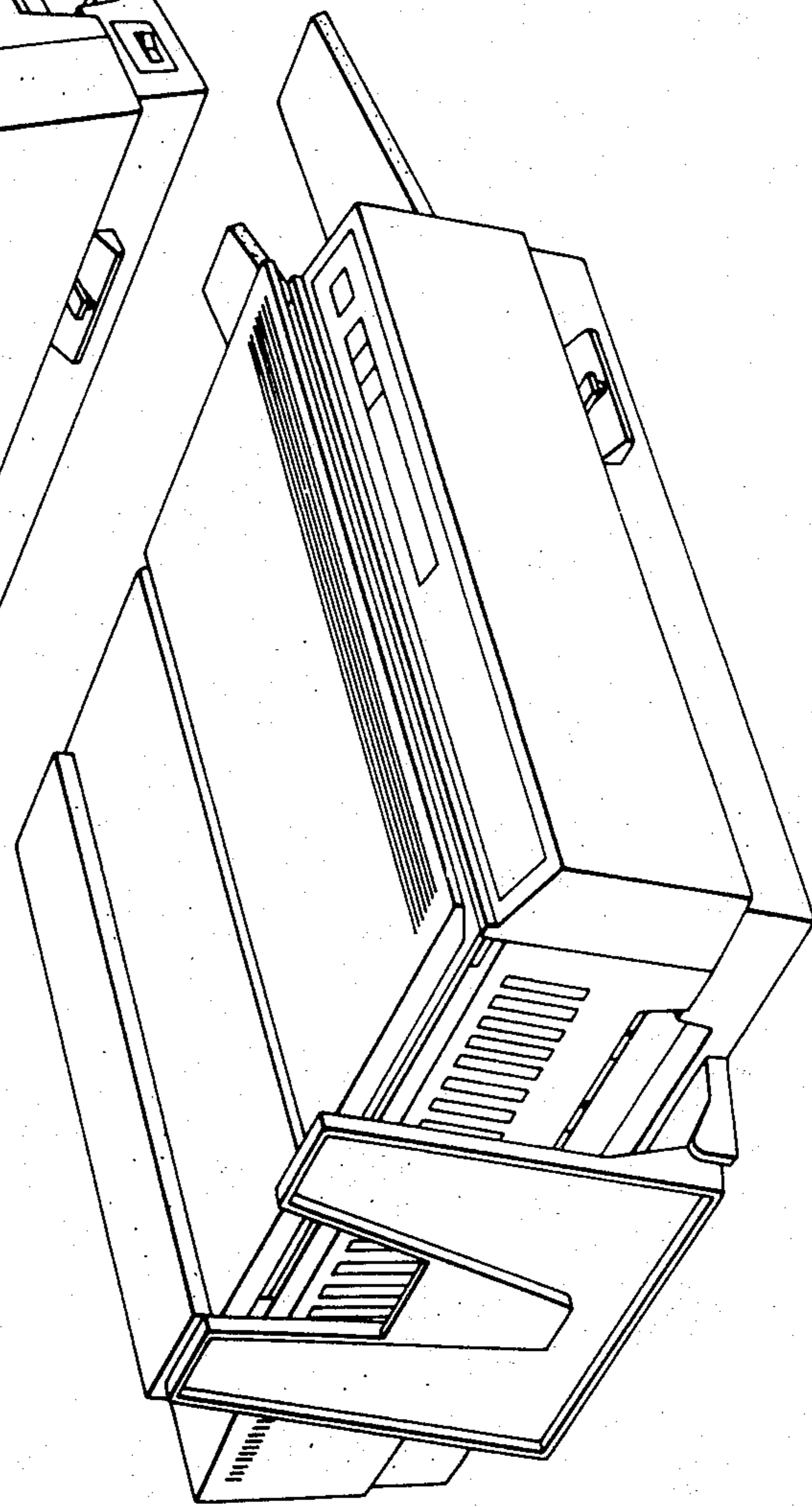


FIG. 9