

[54] ELECTROPHOTOGRAPHIC COPYING MACHINE

[75] Inventors: Masanori Hashimoto; Akira Imai, both of Kanagawa, Japan; Andrew T. Serbinski, Brooklyn, N.Y.

[73] Assignee: Ricoh Company, Ltd., Japan

[**] Term: 14 Years

[21] Appl. No.: 656,446

[22] Filed: Oct. 1, 1984

[30] Foreign Application Priority Data

Mar. 30, 1984 [JP] Japan 59-012383

[52] U.S. Cl. D16/31

[58] Field of Search D16/27-32; 355/3 R, 3 SH, 14 R, 14 SH, 5-11, 18-19, 45-46, 51, 64-65

[56] References Cited

U.S. PATENT DOCUMENTS

- D. 251,912 5/1979 Nakade D16/31
- D. 270,164 8/1983 Sawada D16/31
- D. 276,051 10/1984 Kosako D16/31

- D. 278,346 4/1985 Saito D16/31
- D. 280,104 8/1985 Sutoh D16/31
- D. 280,631 9/1985 Nakade D16/31
- D. 280,906 10/1985 Imada D16/31
- D. 280,907 10/1985 Imada D16/31

Primary Examiner—Nelson C. Holtje
Attorney, Agent, or Firm—Guy W. Shoup

[57] CLAIM

The ornamental design for an electrophotographic copying machine, as shown.

DESCRIPTION

FIG. 1 is a top and right front perspective view of an electrophotographic copying machine showing our new design, with the paper feed and copy receiving trays omitted for ease of illustration;

FIG. 2 is a front elevational view of FIG. 1;

FIG. 3 is a top plan view of FIG. 1;

FIG. 4 is a right side elevational view of FIG. 1;

FIG. 5 is a left side elevational view of FIG. 1;

FIG. 6 is a rear elevational view of FIG. 1;

FIG. 7 is a bottom plan view of FIG. 1;

FIG. 8 is a top and right front perspective view of the claimed design.

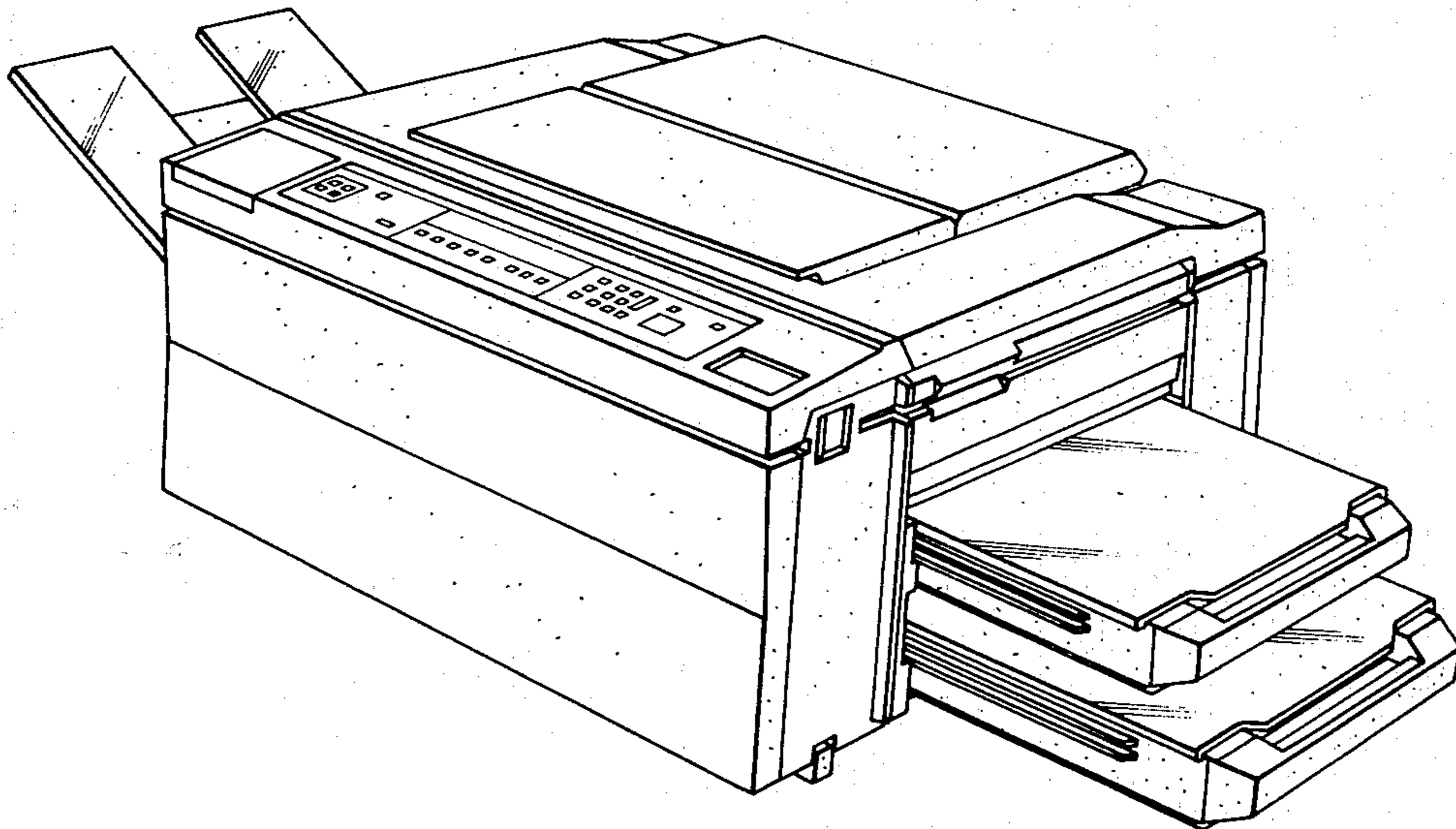


FIG. 1

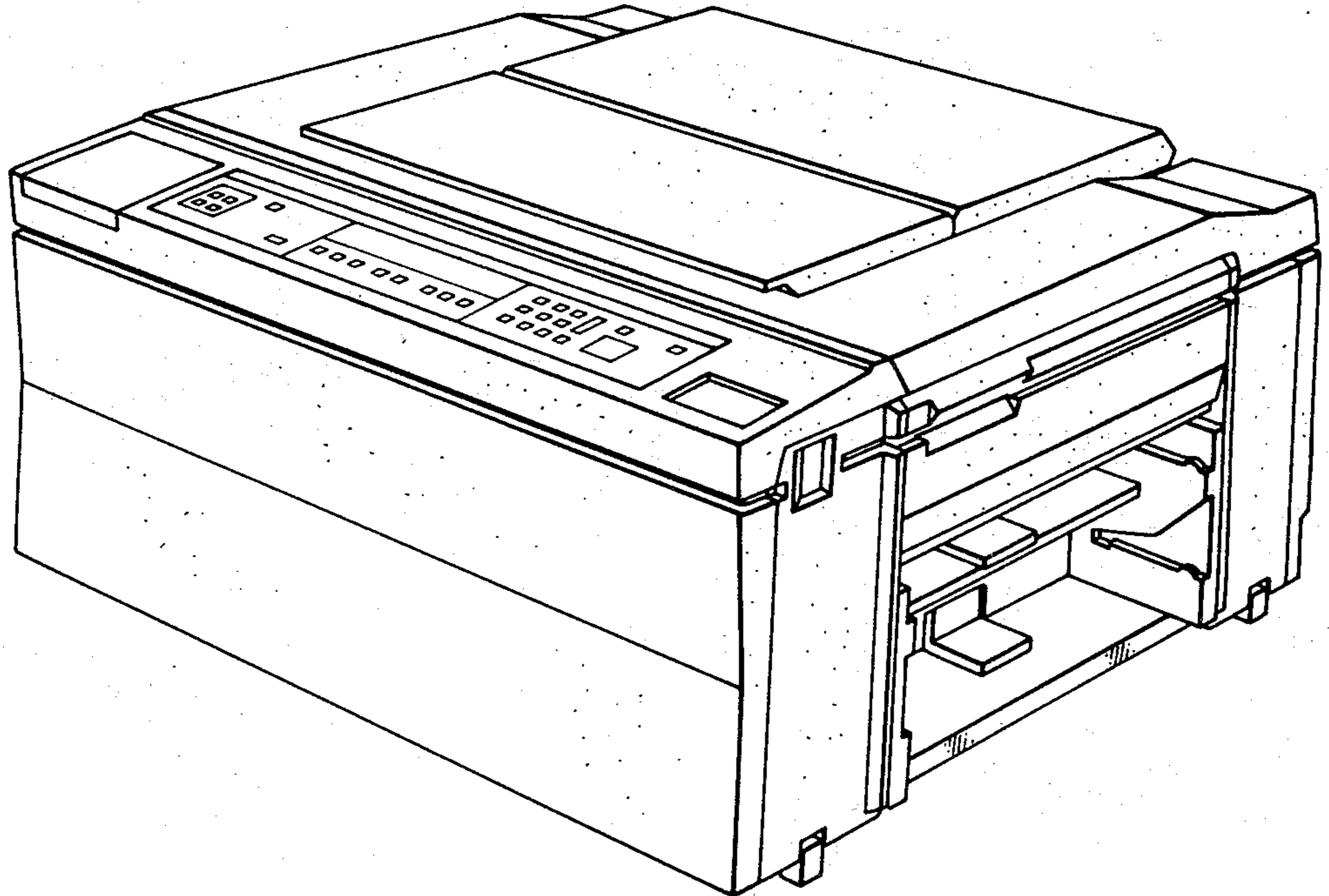


FIG. 2

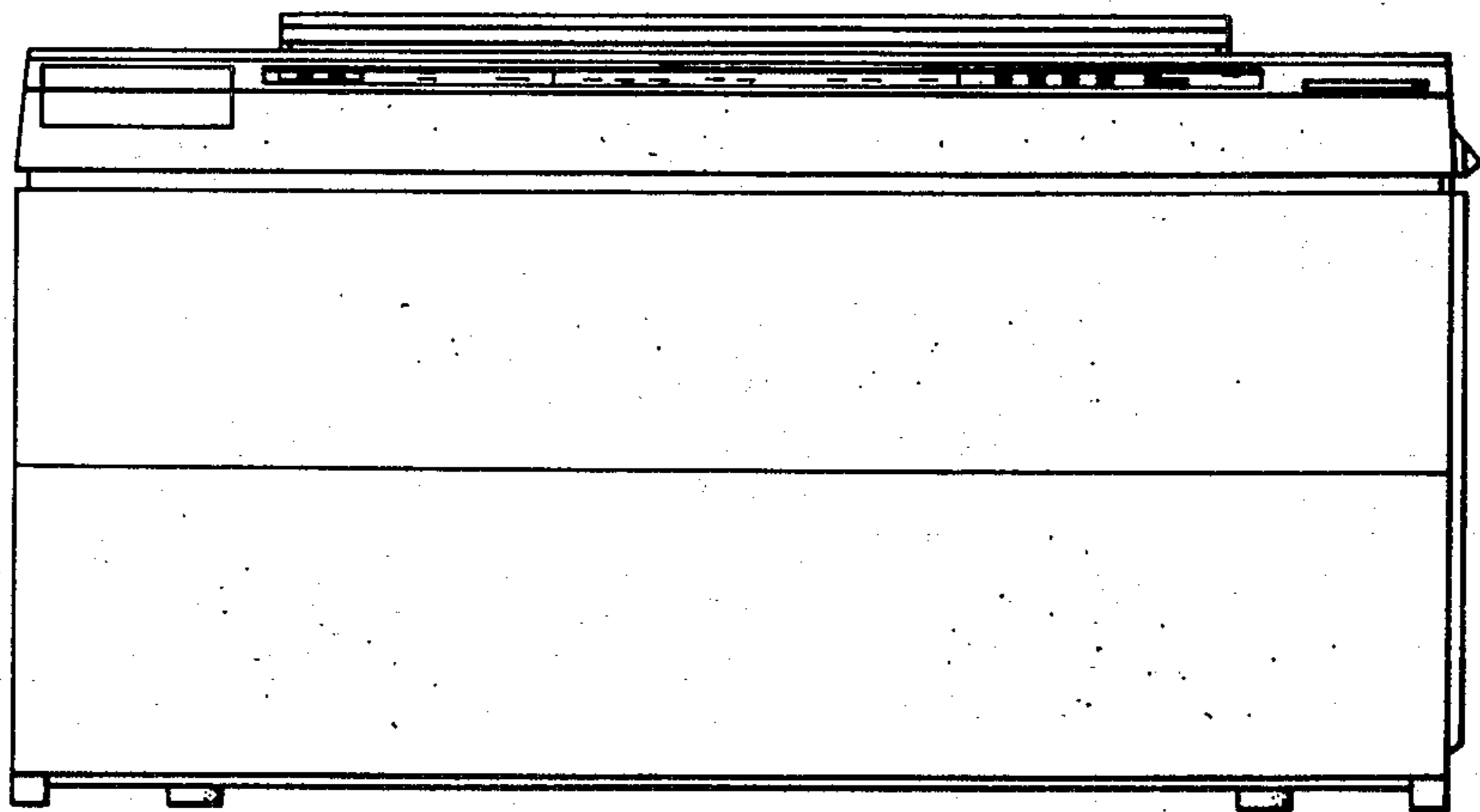


FIG. 3

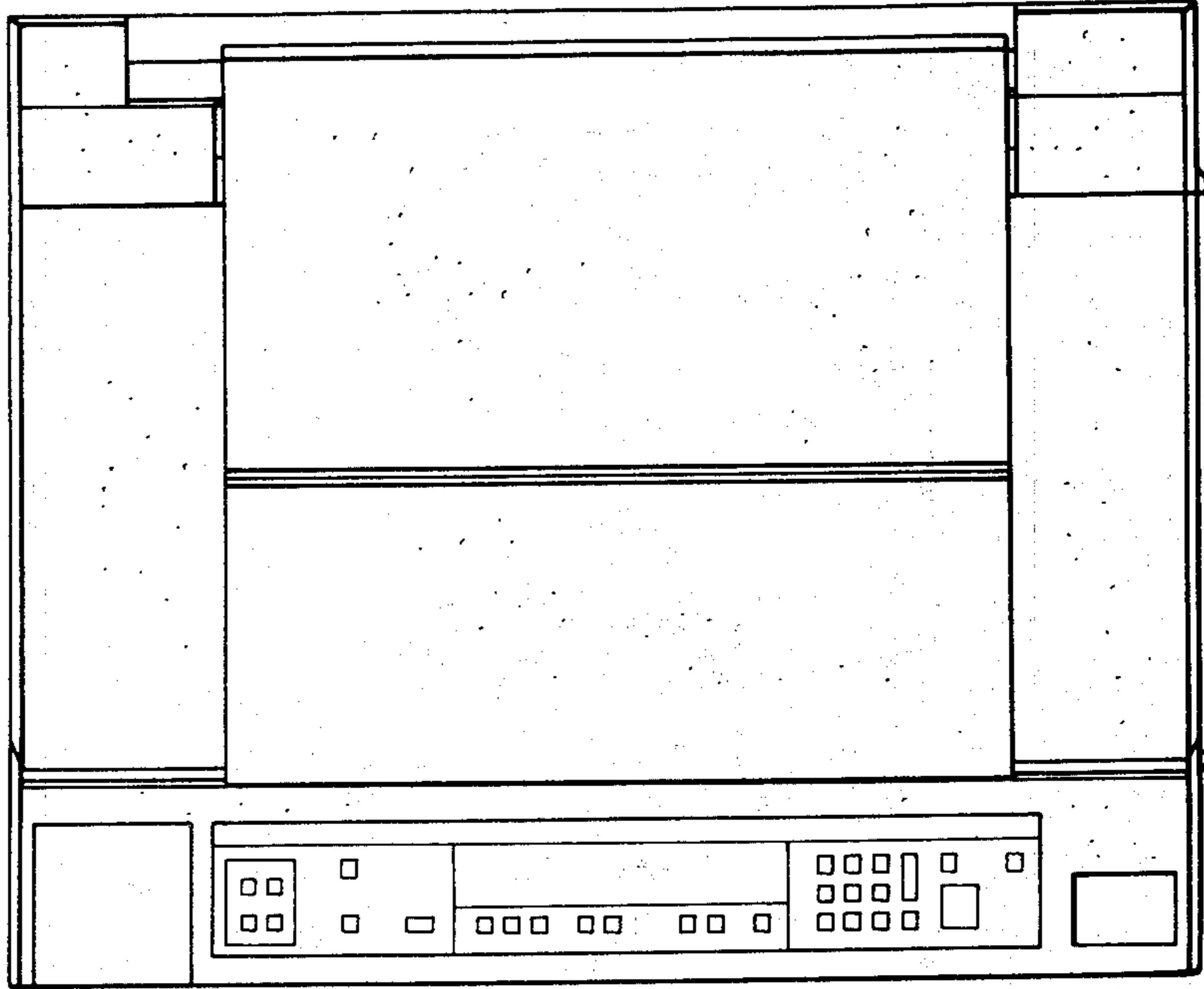


FIG. 4

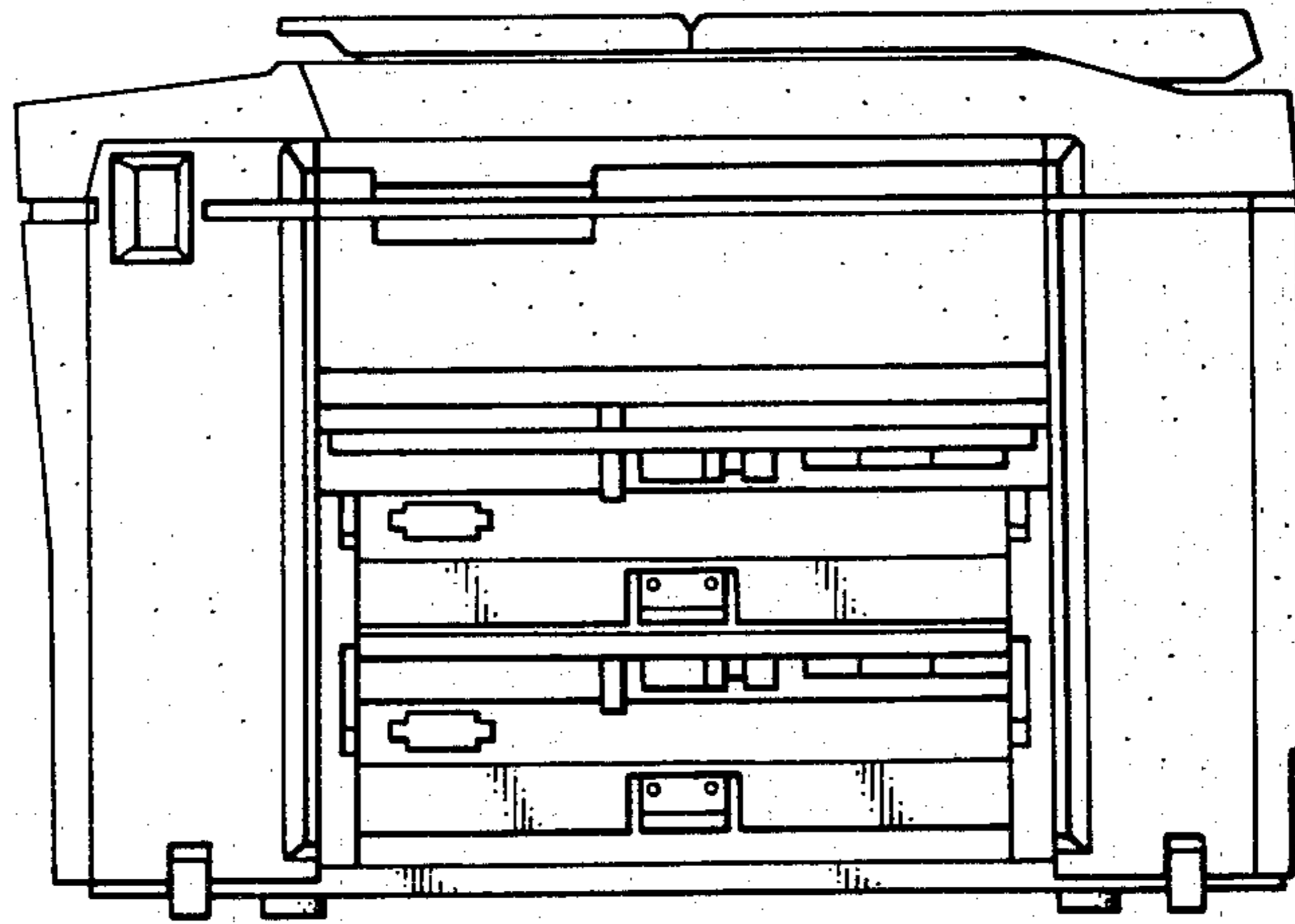


FIG. 5

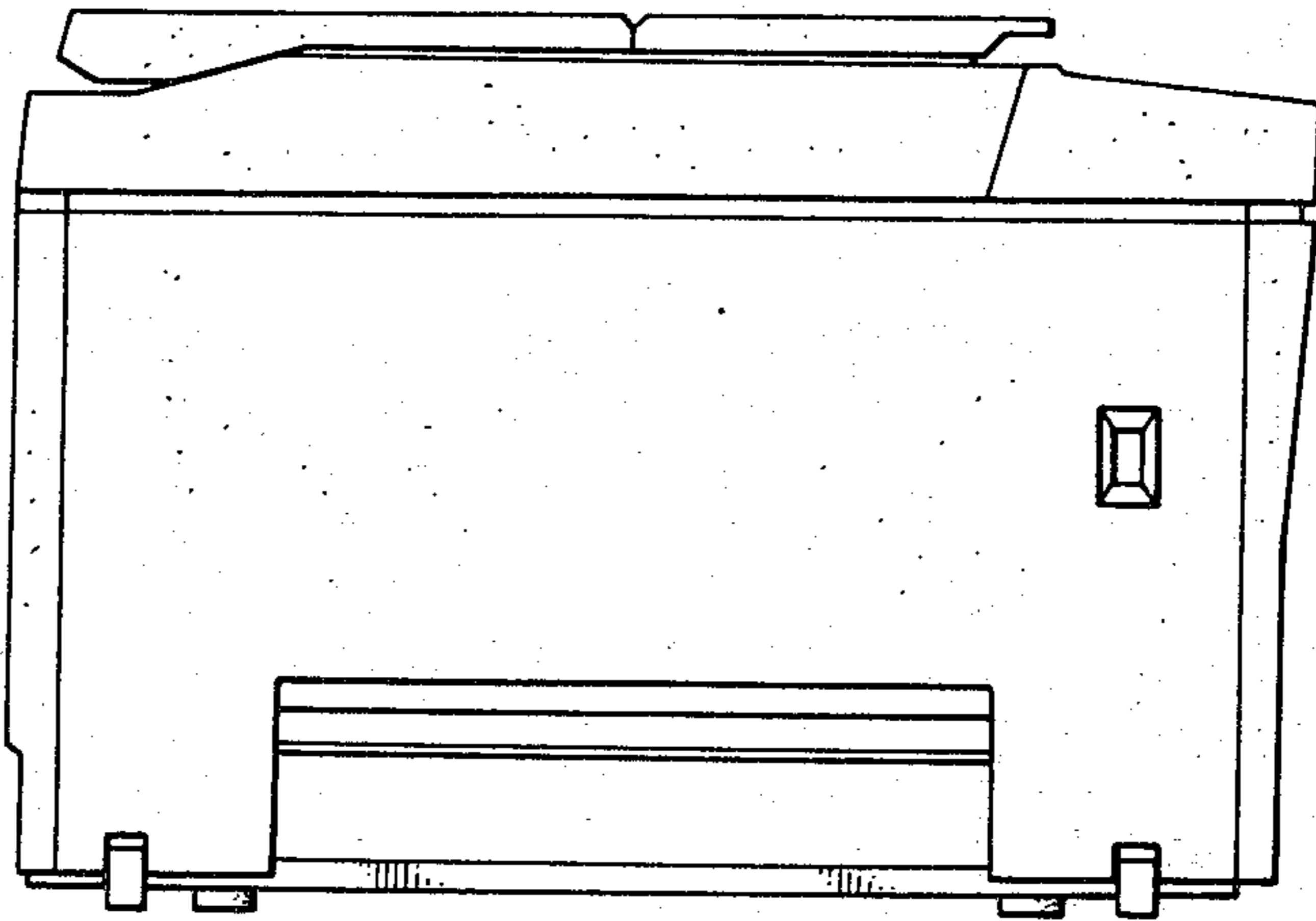


FIG. 6

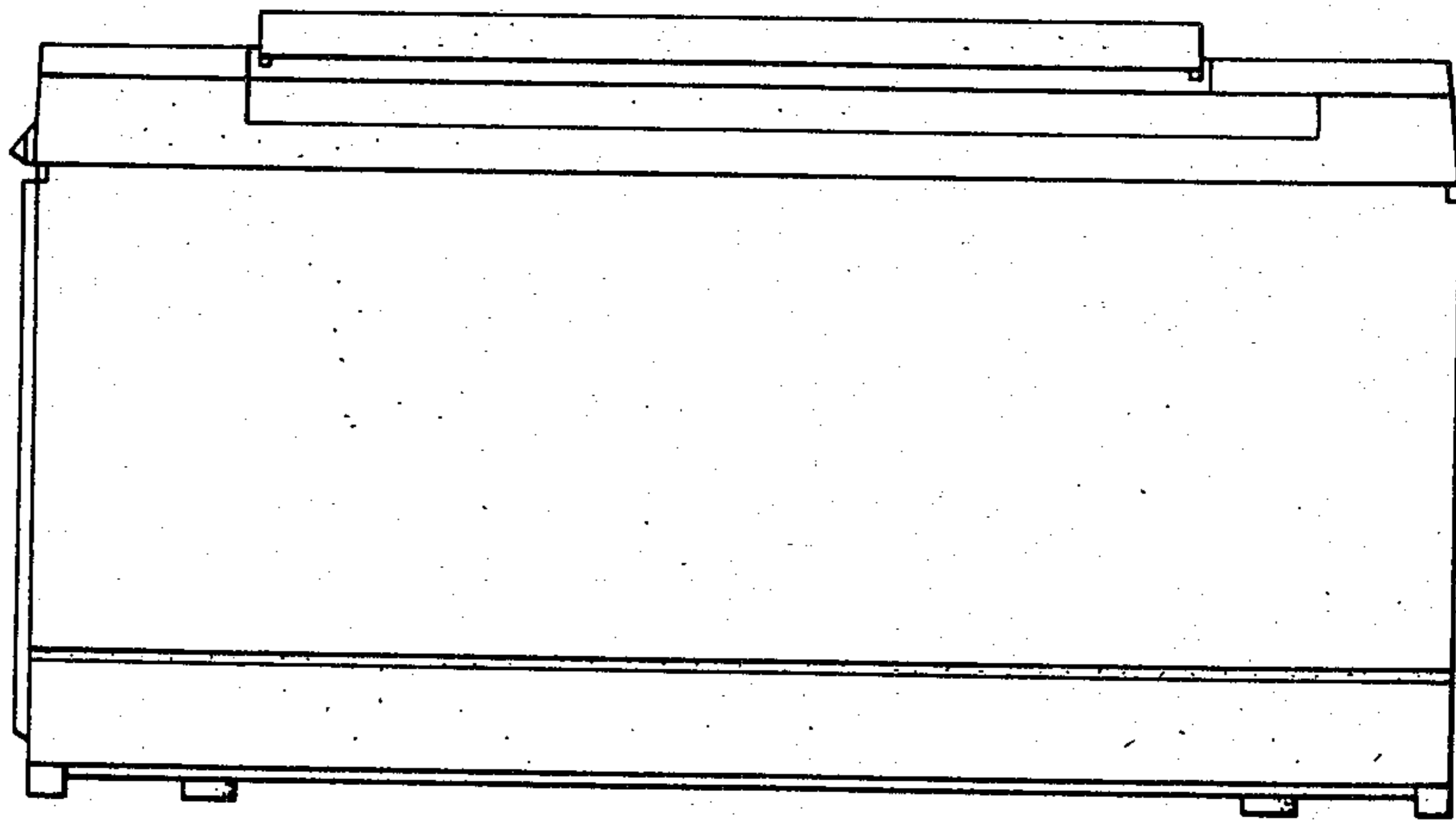


FIG. 7

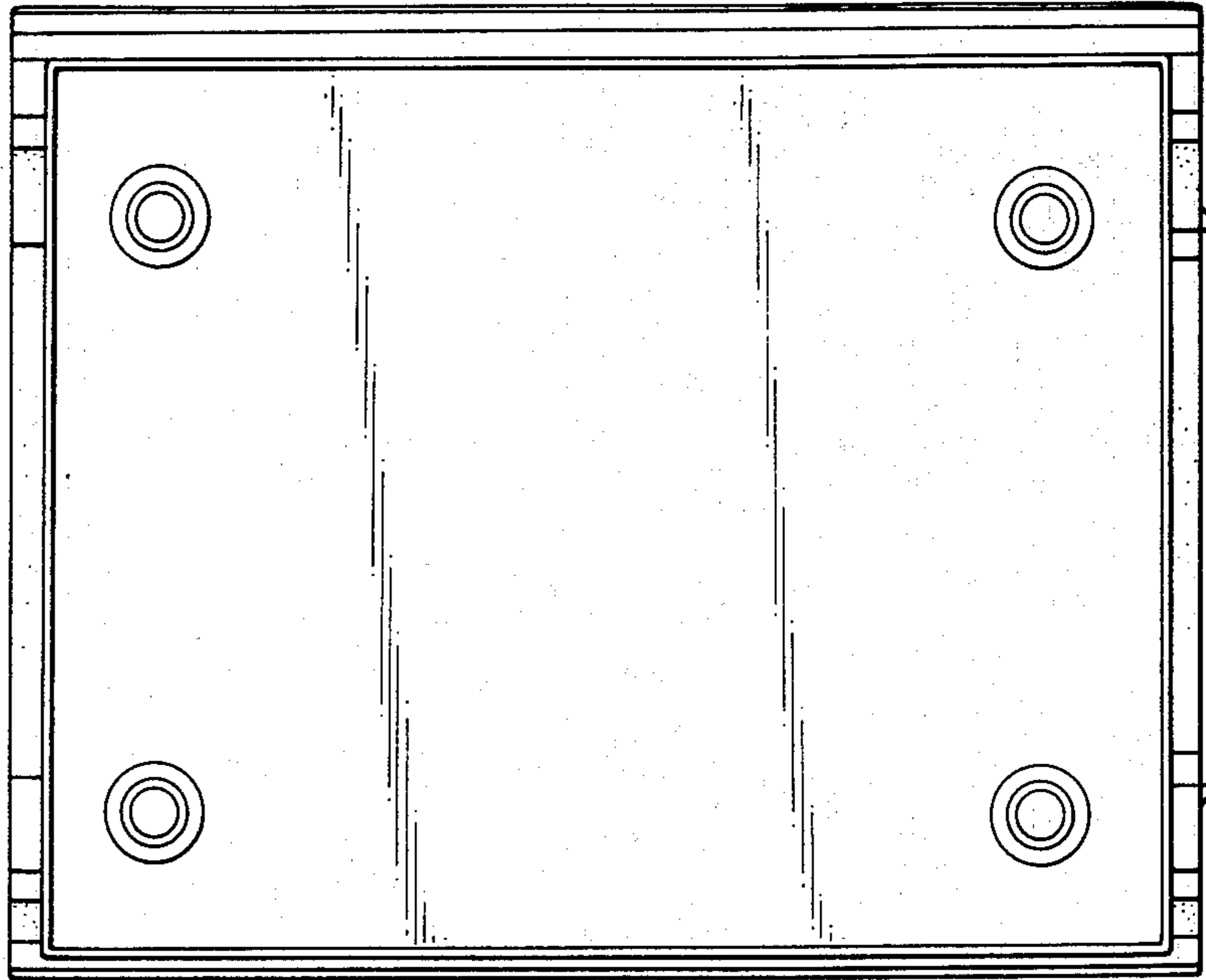


FIG. 8

