

[54] TRASH COMPACTOR

[76] Inventor: William D. McBee, 2100 Hayden Bridge Rd., Springfield, Oreg. 97477

[**] Term: 14 Years

[21] Appl. No.: 588,700

[22] Filed: Mar. 12, 1984

[52] U.S. Cl. D15/123

[58] Field of Search D15/123; 100/214, 269 R, 100/266, 229 A, 902

[56] References Cited

U.S. PATENT DOCUMENTS

D. 252,573	8/1979	Weger	D15/123
2,786,409	3/1957	Claire	100/266
3,941,046	3/1976	Smith	100/269 R
4,050,373	9/1977	Hellmann	100/229 A

4,056,053 11/1977 Akerberg 100/229 A

FOREIGN PATENT DOCUMENTS

0138600 8/1983 Japan 100/902

Primary Examiner—B. J. Bullock
Attorney, Agent, or Firm—James D. Givnan, Jr.

[57] CLAIM

The ornamental design for a trash compactor, as shown and described.

DESCRIPTION

FIG. 1 is a front elevational view of the trash compactor showing my new design;
FIG. 2 is a right side elevational view thereof, the side opposite being a mirror image;
FIG. 3 is a top plan view thereof, the bottom being plain and unornamented.

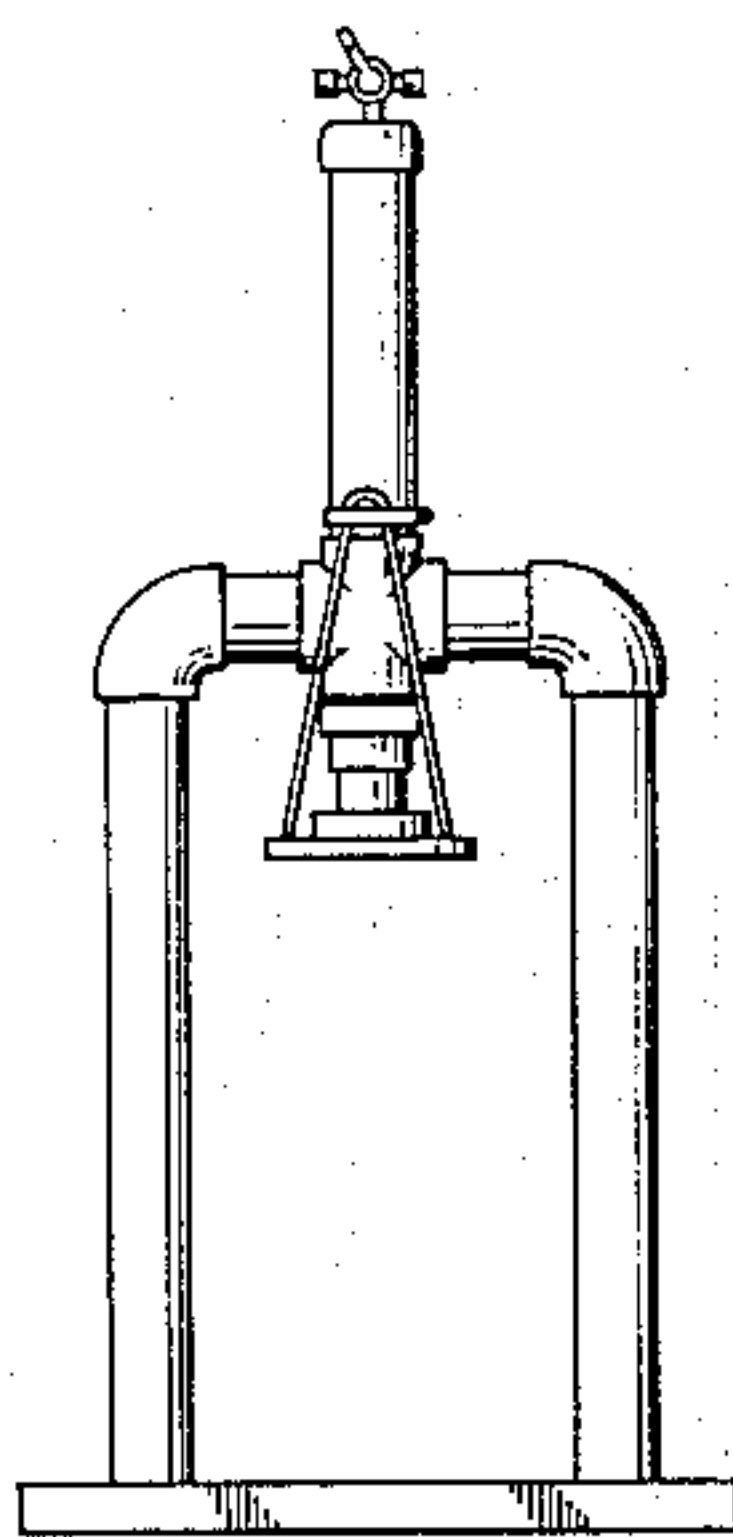
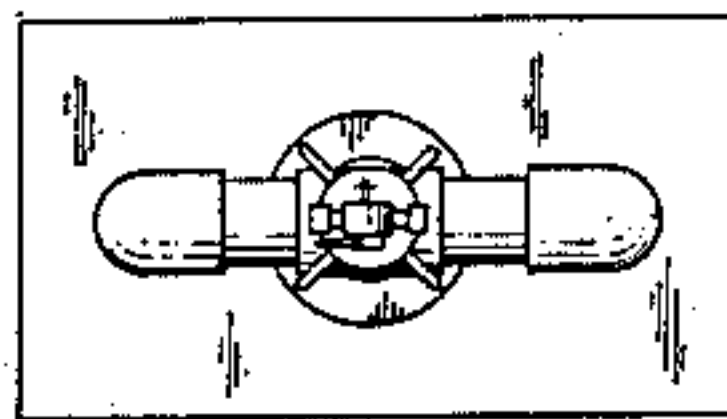


Fig. 1



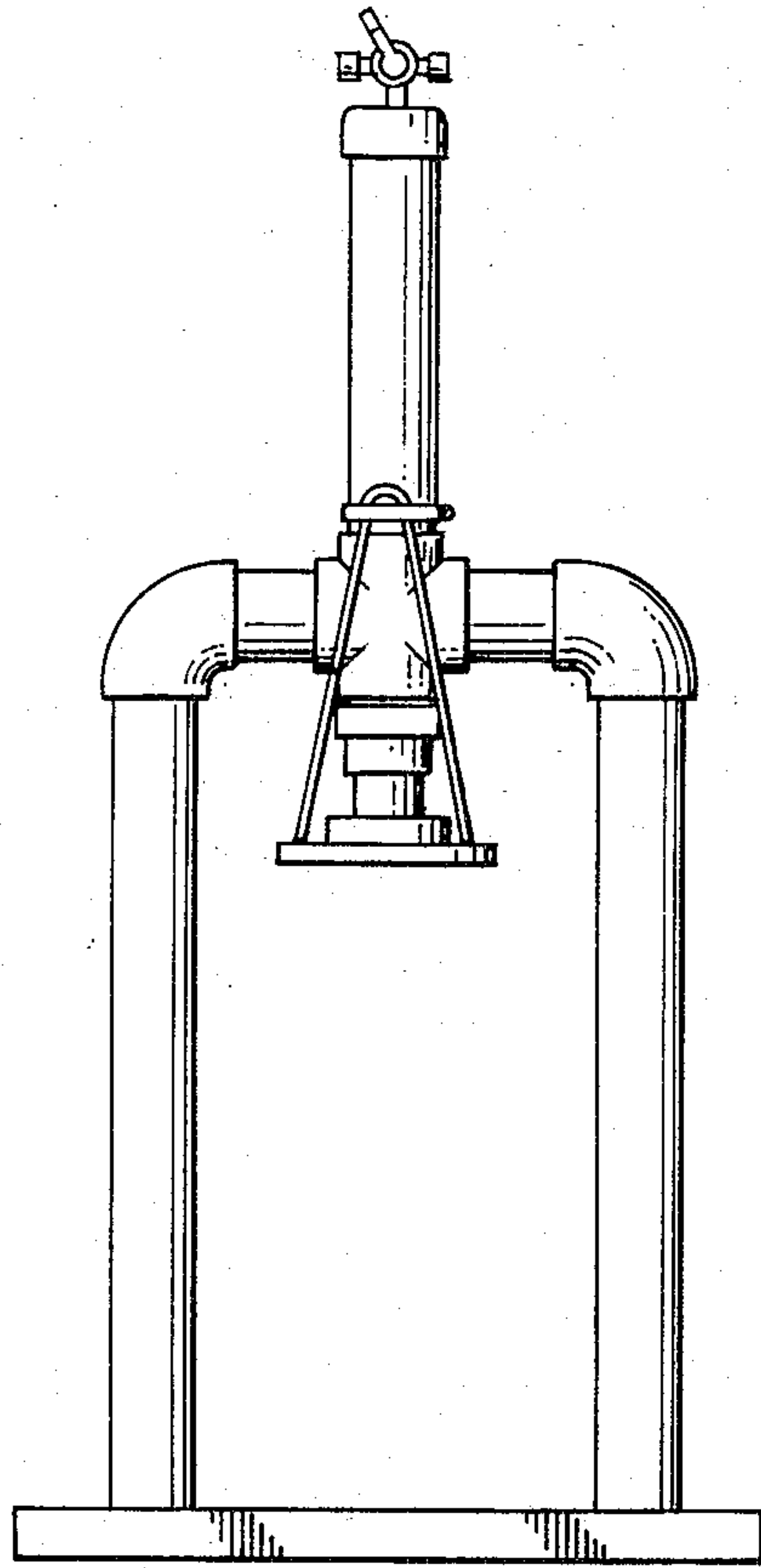


FIG. 1

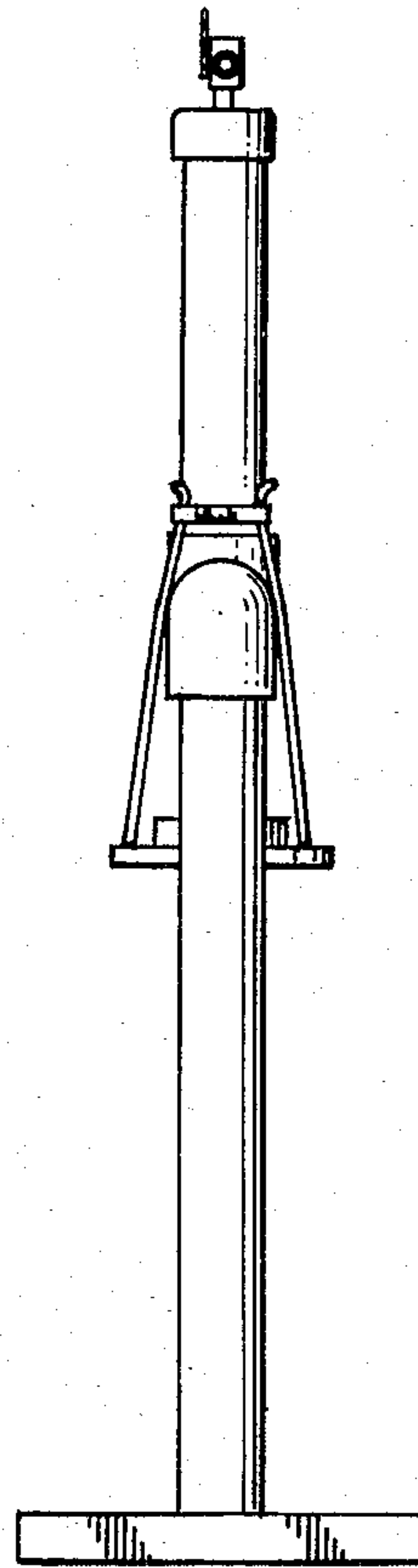


FIG. 2

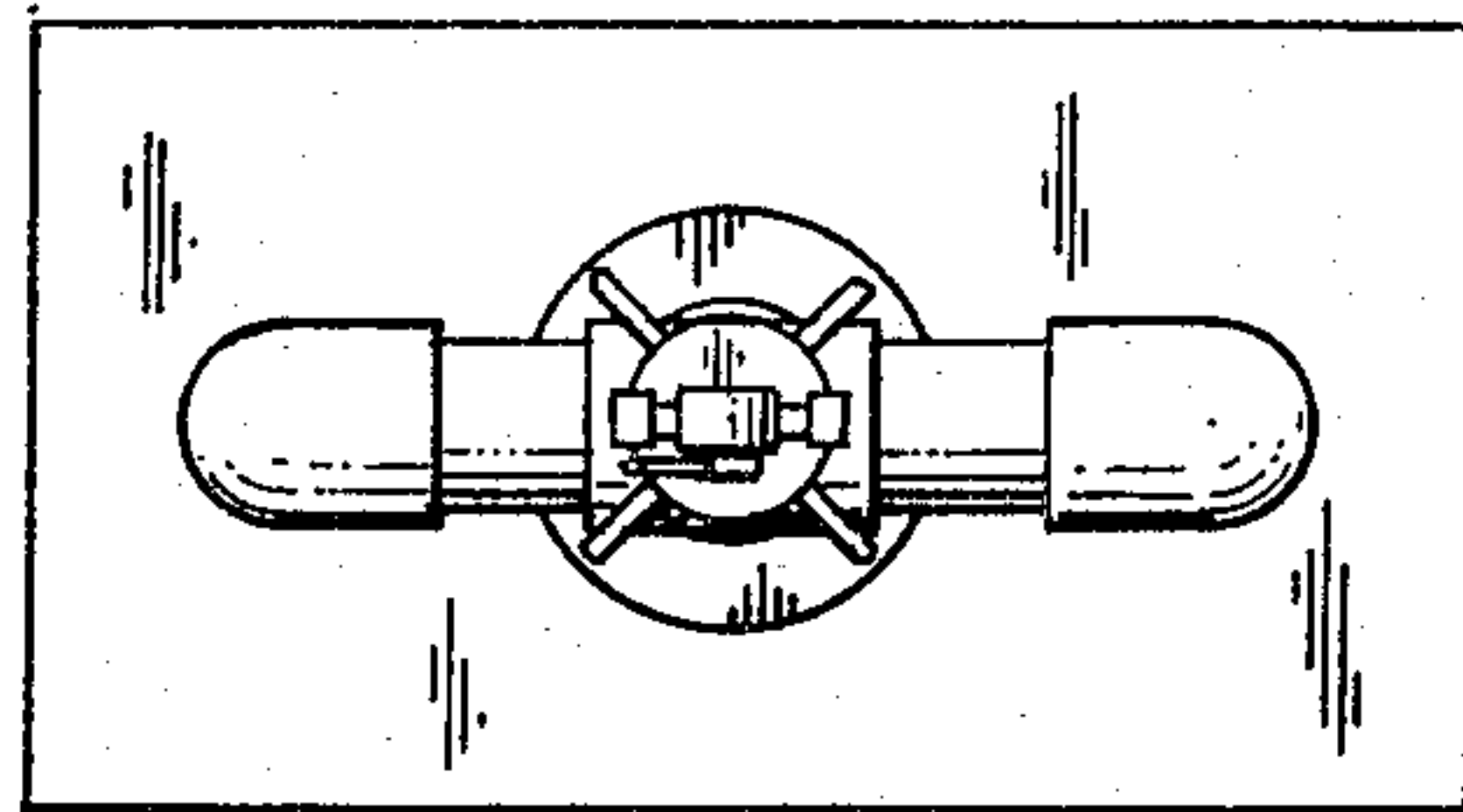


FIG. 3