

[54] COMBINATION TELEPHONE HANDSET AND CONNECTOR

[75] Inventor: David Powell, London, England

[73] Assignee: Racal Acoustics Limited, Wembley, England

[\*\*] Term: 14 Years

[21] Appl. No.: 627,690

[22] Filed: Jul. 5, 1984

[30] Foreign Application Priority Data

Jan. 5, 1984 [GB] United Kingdom ..... 1017175

Jan. 5, 1984 [GB] United Kingdom ..... 1017177

Jan. 5, 1984 [GB] United Kingdom ..... 1017178

[52] U.S. Cl. .... D14/64; D14/53; D14/62; D14/63; D14/12; 379/440

[58] Field of Search ..... D14/63, 12, 13, 53, D14/64, 62, 60; 179/179, 100 R, 103, 102, 101; 339/75, 5

[56] References Cited

U.S. PATENT DOCUMENTS

D. 190,865	7/1961	Levy et al. ....	D14/12
D. 194,538	2/1963	Brown .....	D14/64
D. 210,668	4/1968	Janda .....	D14/63
D. 218,314	8/1970	Tyson .....	D14/64
D. 220,108	3/1971	Van de Poel .....	D14/12
D. 282,542	2/1986	Mo .....	D14/64
D. 282,659	2/1986	Abrams .....	D14/63
D. 282,739	2/1986	Solovaara .....	D14/64
2,190,230	2/1940	Cole .....	339/75.5
2,929,883	3/1960	Durbin et al. ....	179/84 L
3,609,637	9/1971	Cole .....	339/75.5
4,204,738	5/1980	Tillotson .....	339/75.5

FOREIGN PATENT DOCUMENTS

2088148A 6/1982 United Kingdom ..... 339/75 R

OTHER PUBLICATIONS

Popular Science Mag., Sep. 1976: Showing of Northern Telecom Home Electronic Telephone at p. 86. Catalog NC-46-A, "Connector", Sep. 1946: Showing of Sundry Female Connectors on p. 3.

Primary Examiner—Wallace R. Burke

Assistant Examiner—Horace B. Fay

Attorney, Agent, or Firm—Scrivener Clarke Scrivener and Johnson

[57] CLAIM

The ornamental design for a combination telephone handset and connector, as shown and described.

DESCRIPTION

FIG. 1 is a right side elevational view of a combination telephone handset and connector showing my new design;

FIG. 2 is an enlarged left side elevational view of the telephone handset shown independently;

FIG. 3 is an enlarged rear elevational view of the handset of FIG. 2 taken in the direction of the arrow III in FIG. 4;

FIG. 4 is an enlarged right side elevational view of the handset shown independently;

FIG. 5 is an enlarged front elevational view of the handset shown independently;

FIG. 6 is an enlarged fragmentary view of the handset taken in the direction of arrow VI of FIG. 4;

FIG. 7 is a right side elevational view of a second embodiment thereof as shown in FIG. 1;

FIG. 8 is a left side elevational view of a second embodiment of the handset shown in FIG. 2;

FIG. 9 is a rear elevational view of a second embodiment of the handset shown in FIG. 3 taken in the direction of arrow IX of FIG. 10;

FIG. 10 is a right side elevational view of a second embodiment of the handset of FIG. 4;

FIG. 11 is a front elevational view of the second embodiment thereof taken in the direction of arrow XI of FIG. 10;

FIG. 12 is a fragmentary view of a second embodiment thereof taken in the direction of arrow XII of FIG. 10;

FIG. 13 is a right side elevational view of a third embodiment thereof as shown in FIG. 1;

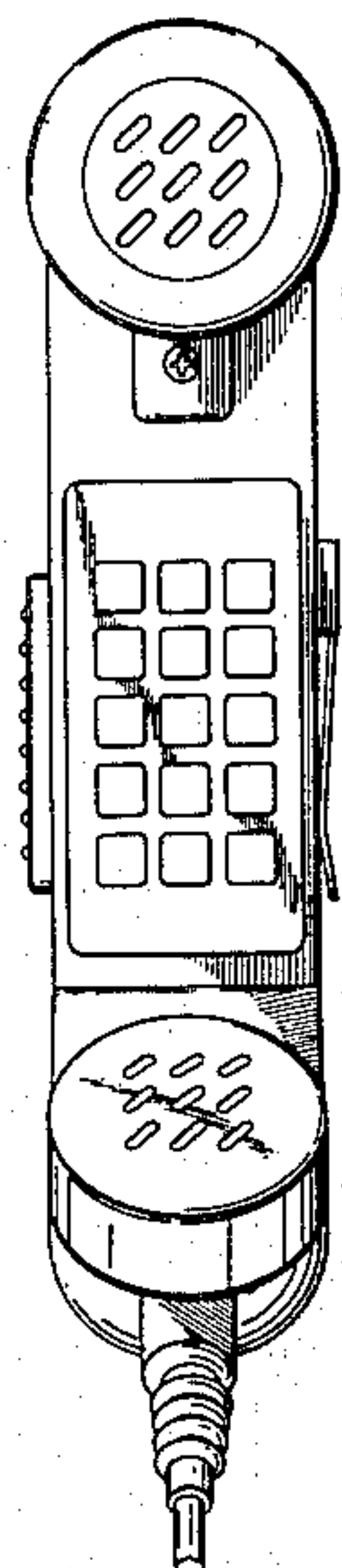
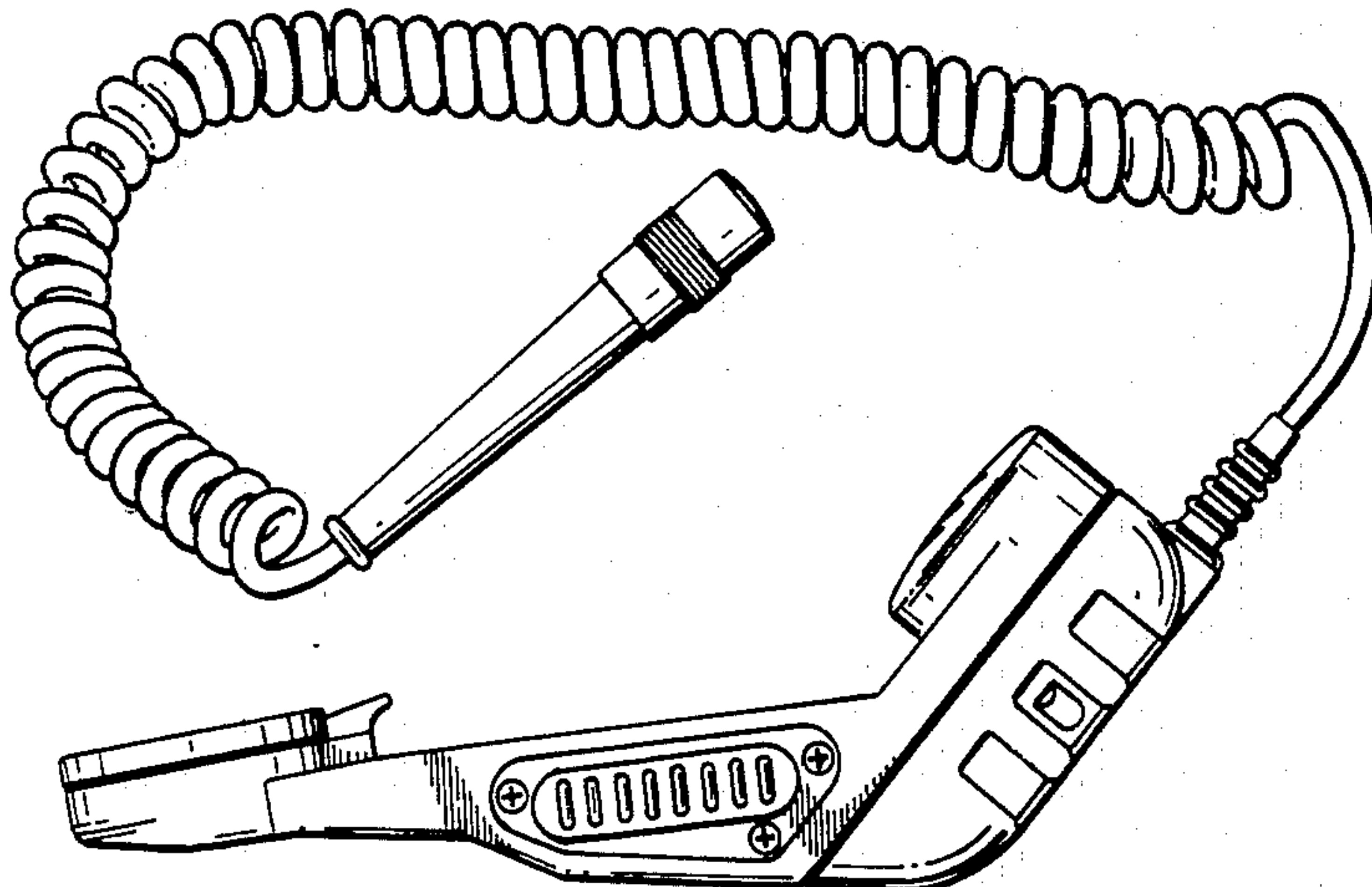
FIG. 14 is a left side elevational view of the third embodiment of the handset as shown in FIG. 2;

FIG. 15 is a rear elevational view of the third embodiment of the handset as shown in FIG. 3;

FIG. 16 is a right side elevational view of the third embodiment of the handset shown in FIG. 4; and

FIG. 17 is a front elevational view of the third embodiment of the handset shown in FIG. 5.

The sundry supplementary views of the three combination embodiments shown in FIGS. 1, 7 and 13 show the handset, connector and cord independently and/or in fragmentary form for ease of illustration and clarity of representation.



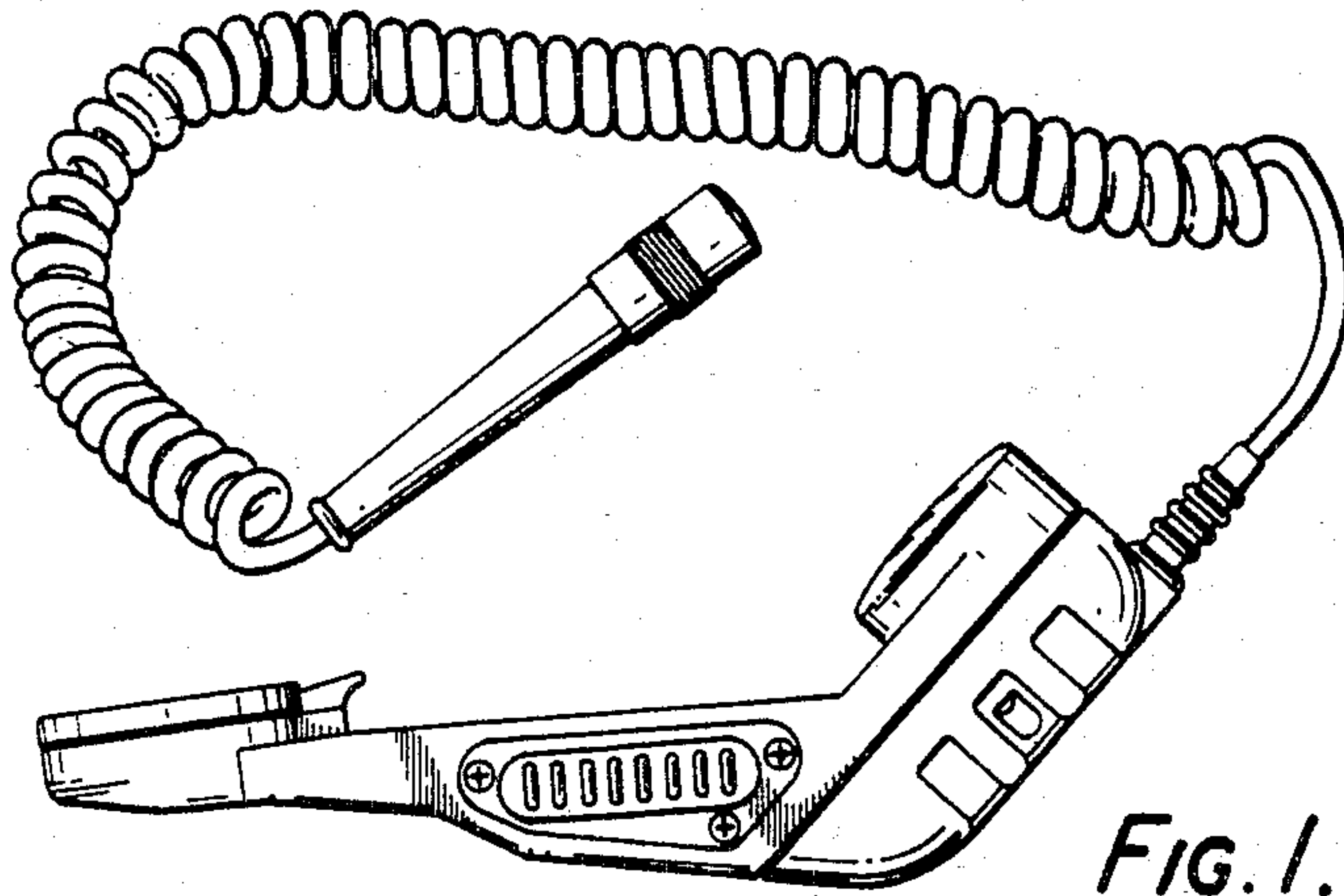


FIG. 1.

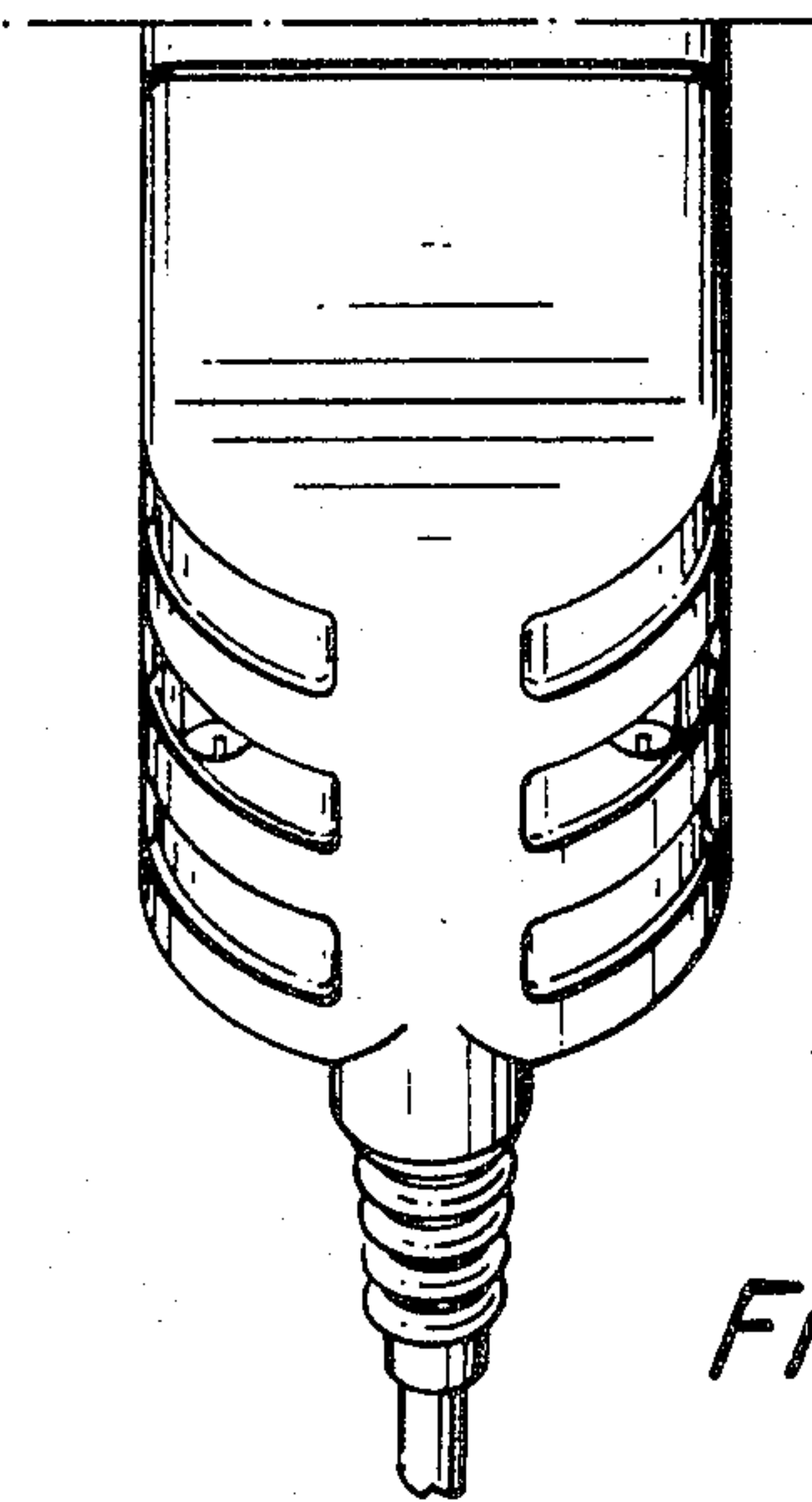


FIG. 6.



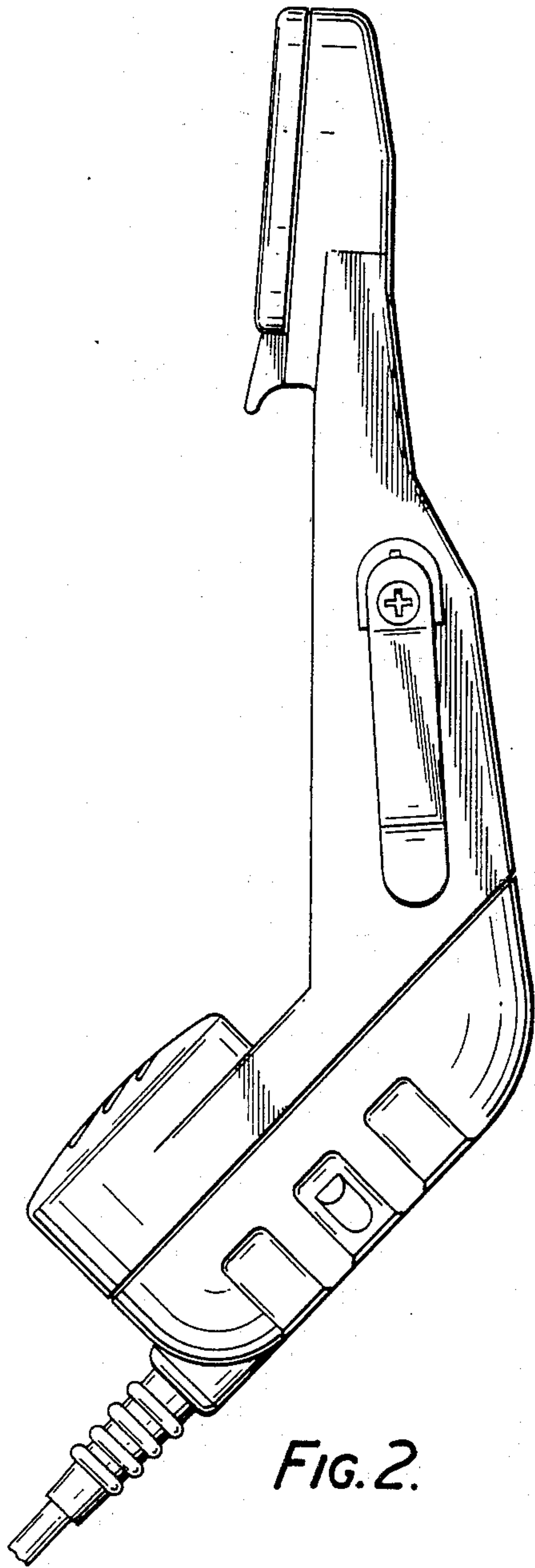


FIG. 2.

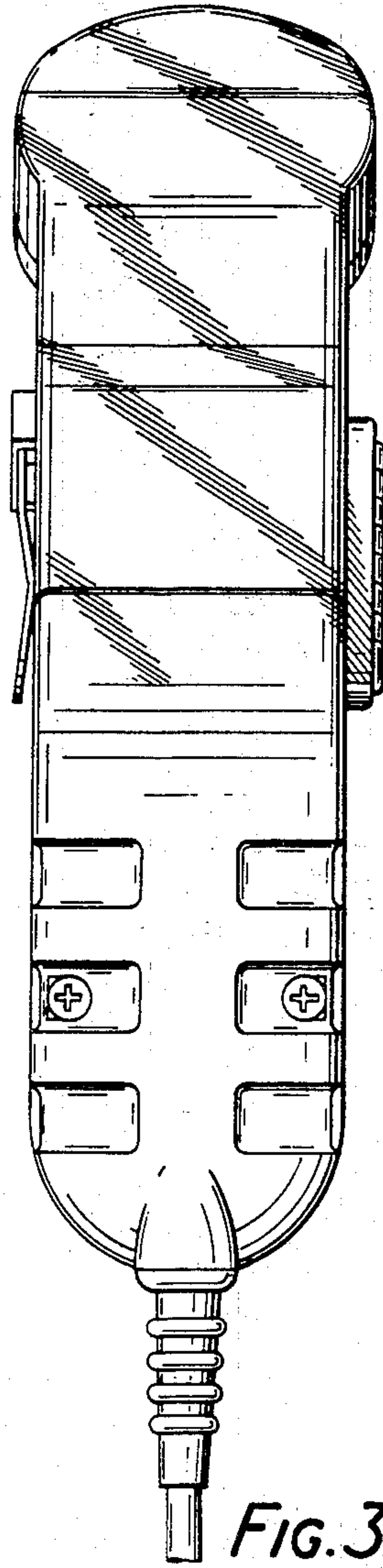


FIG. 3.

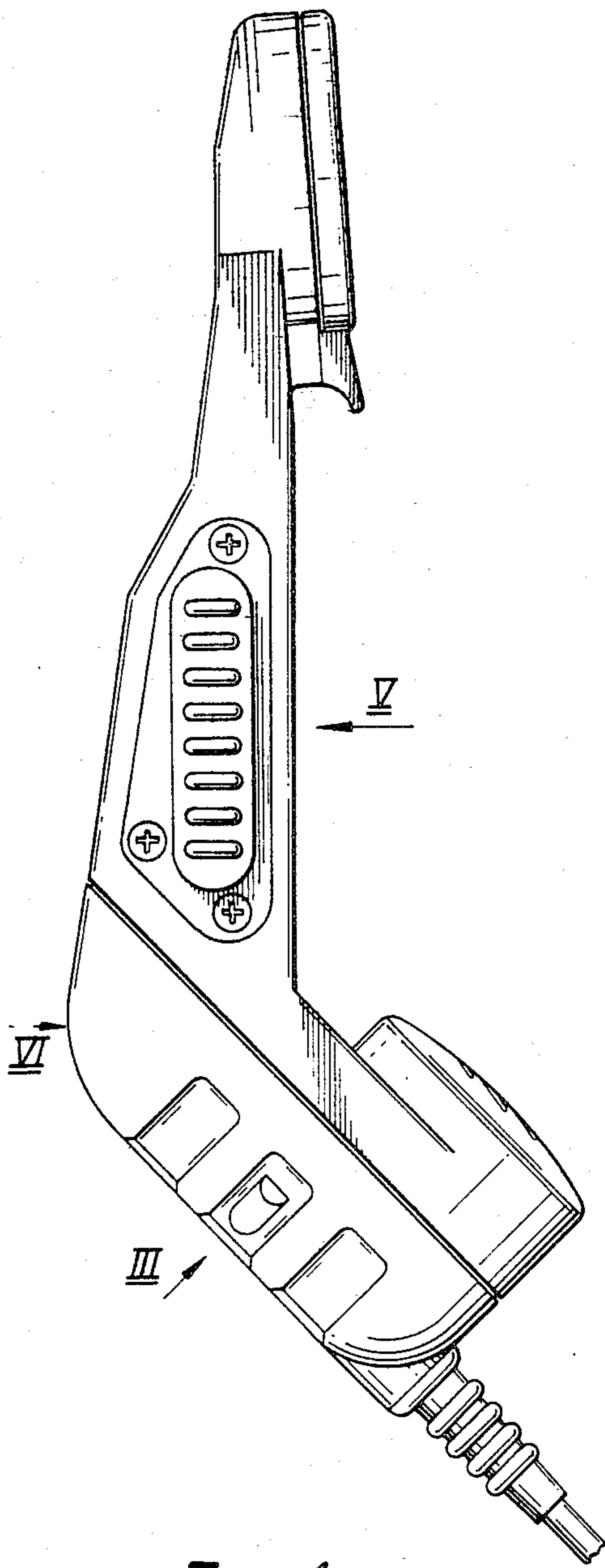


FIG. 4.

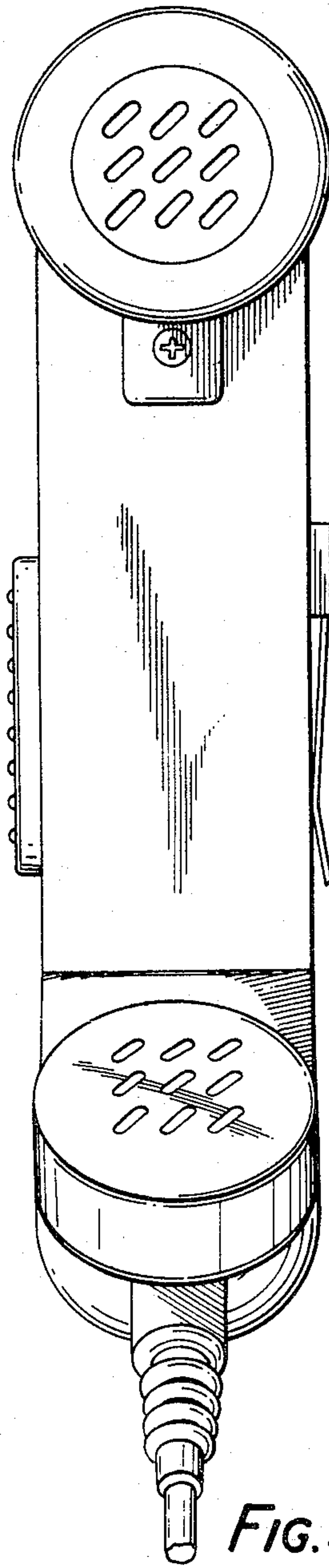


FIG. 5.

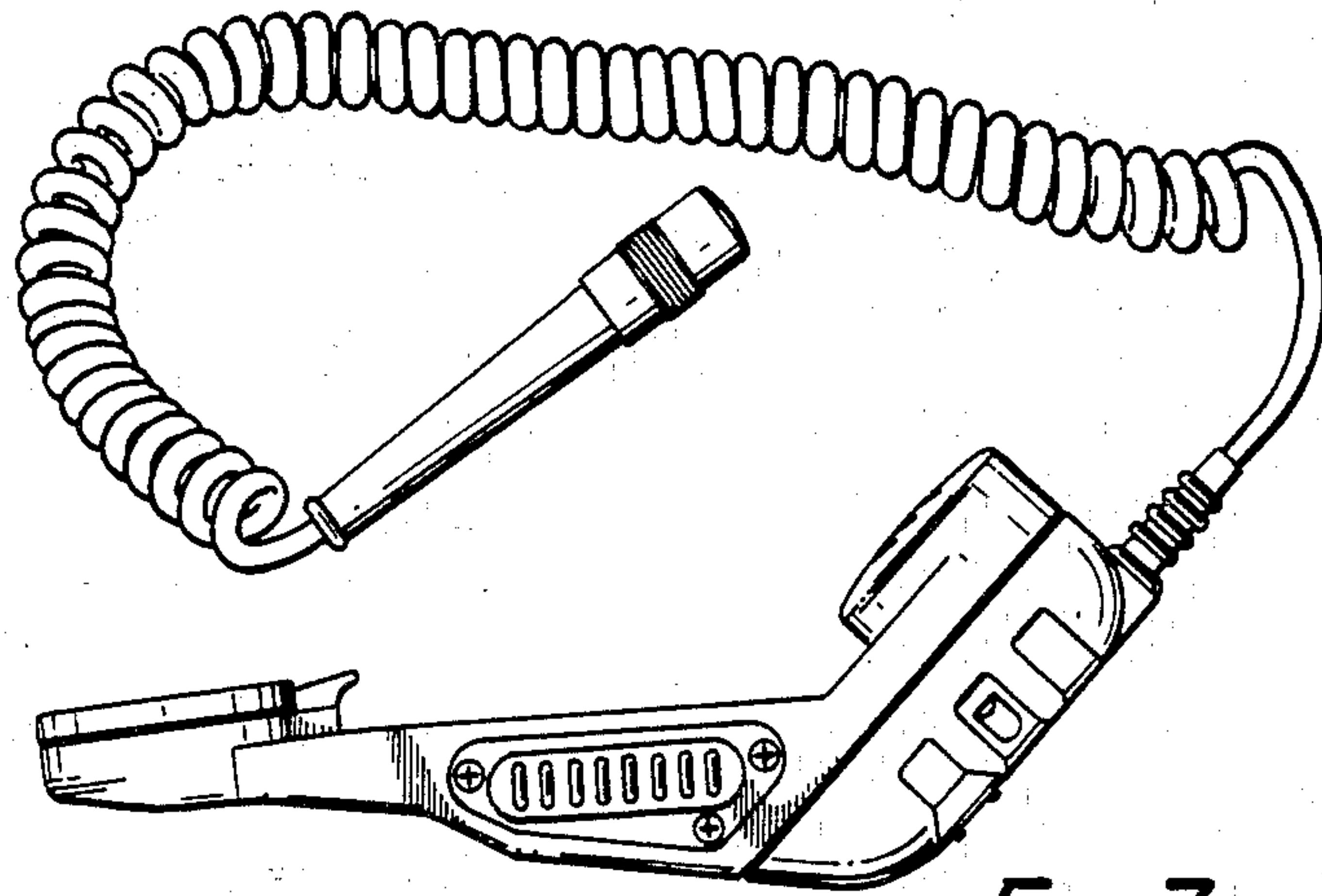


FIG. 7.

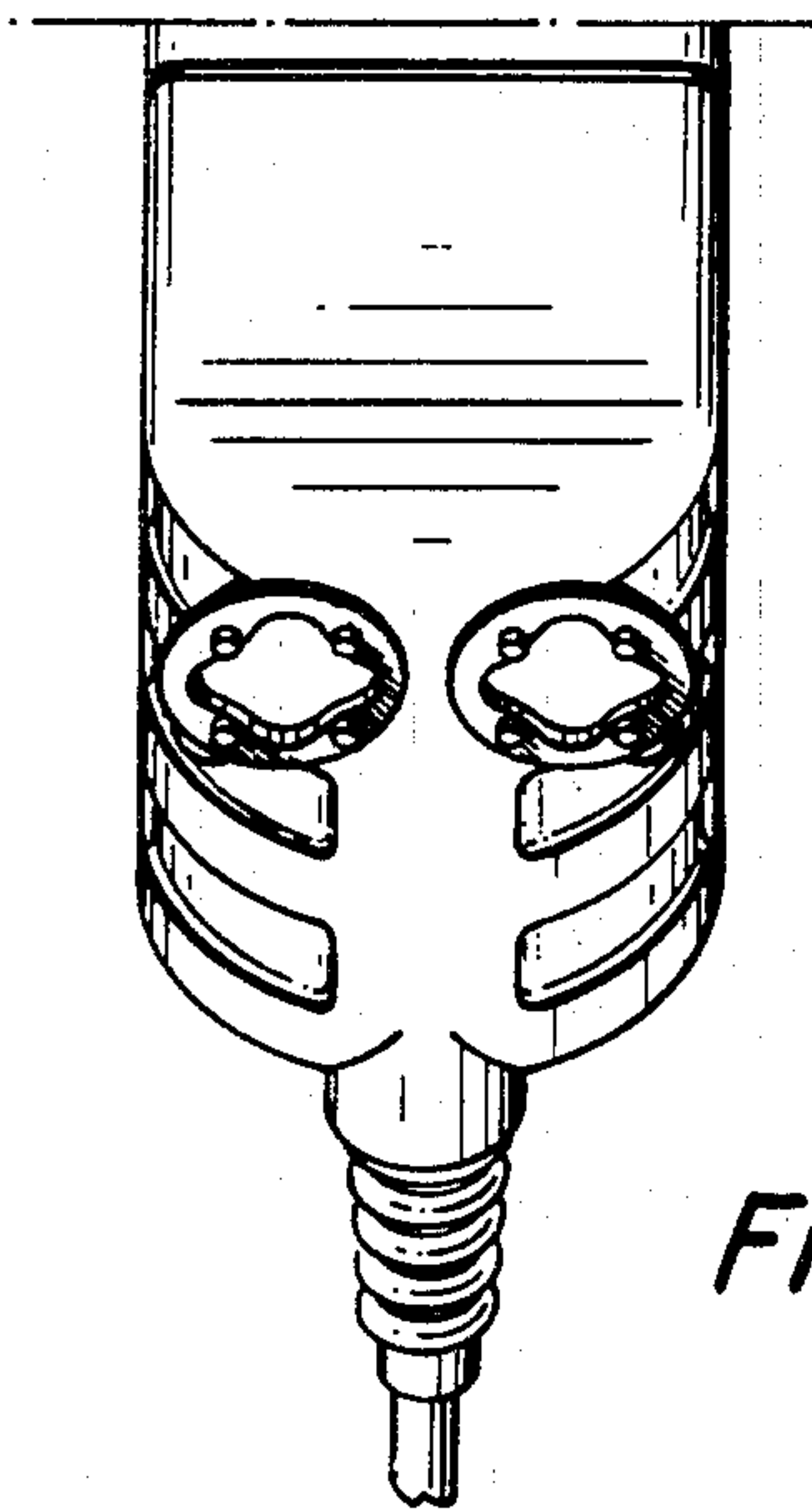


FIG. 12.

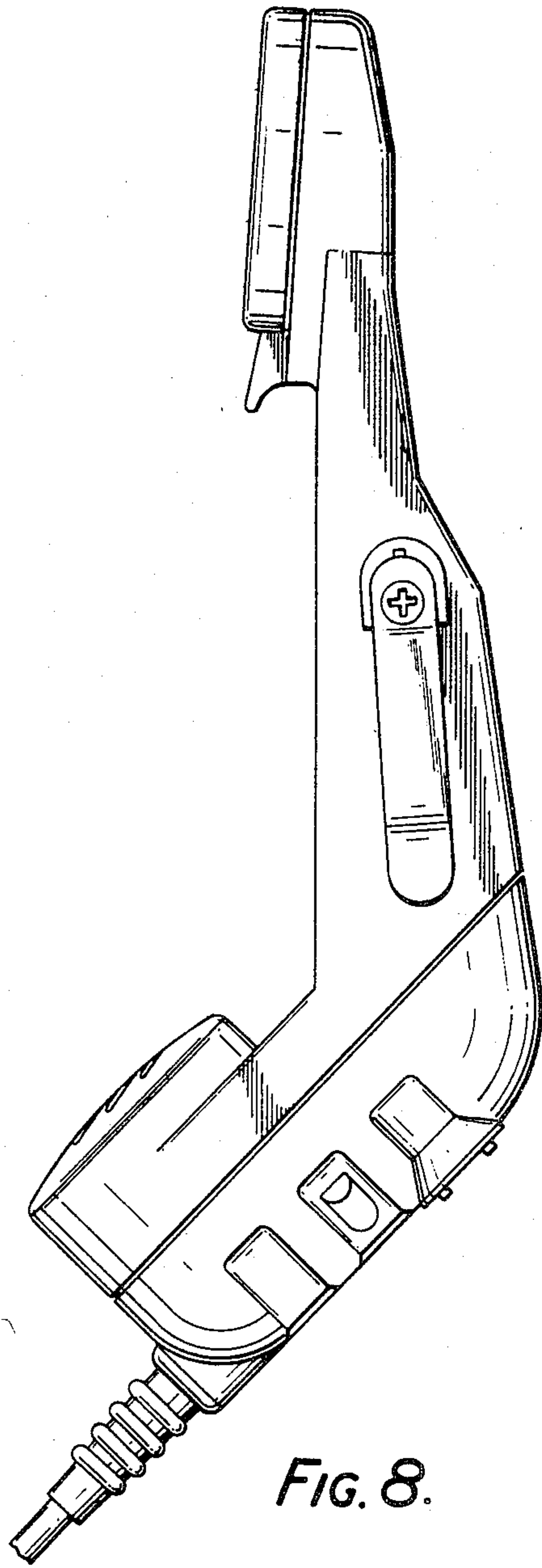


FIG. 8.

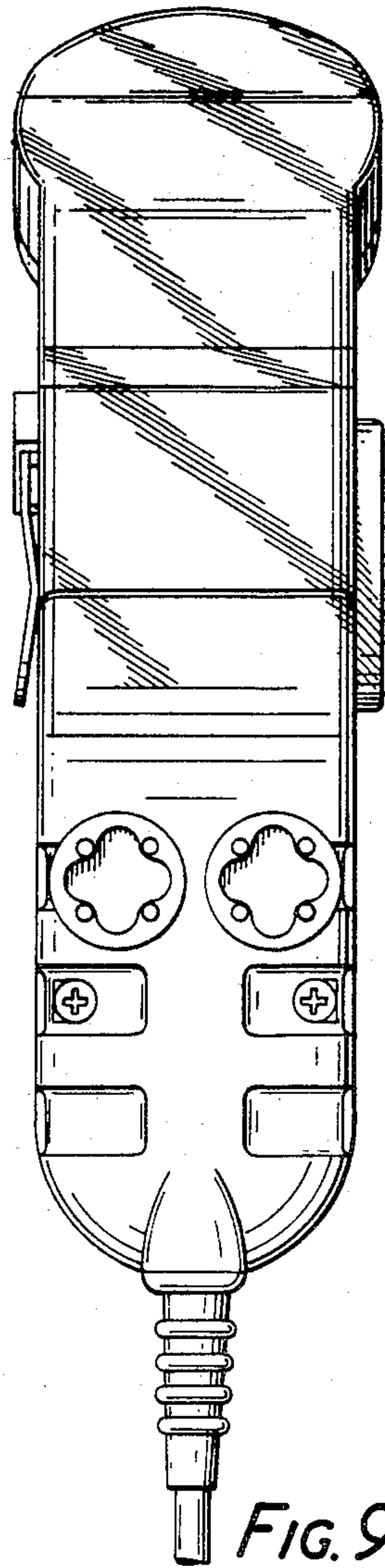


FIG. 9.



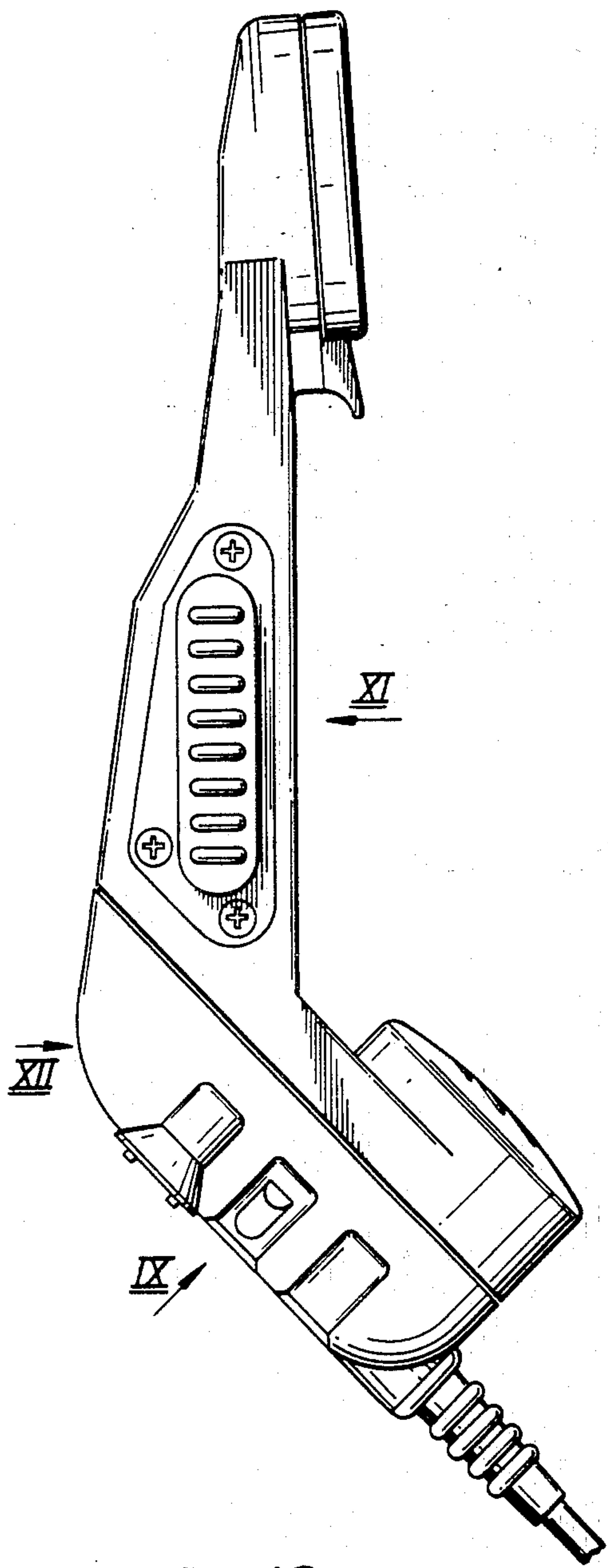


FIG. 10.

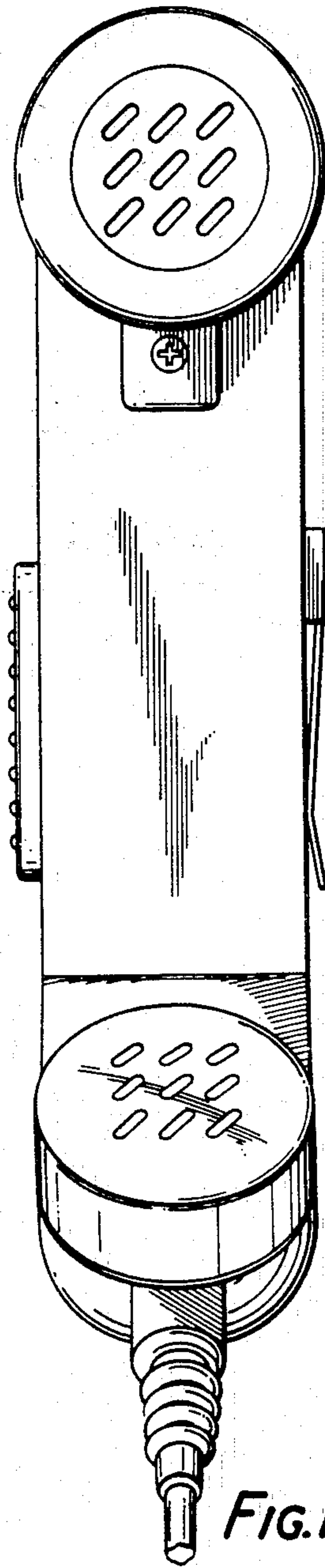


FIG. 11.

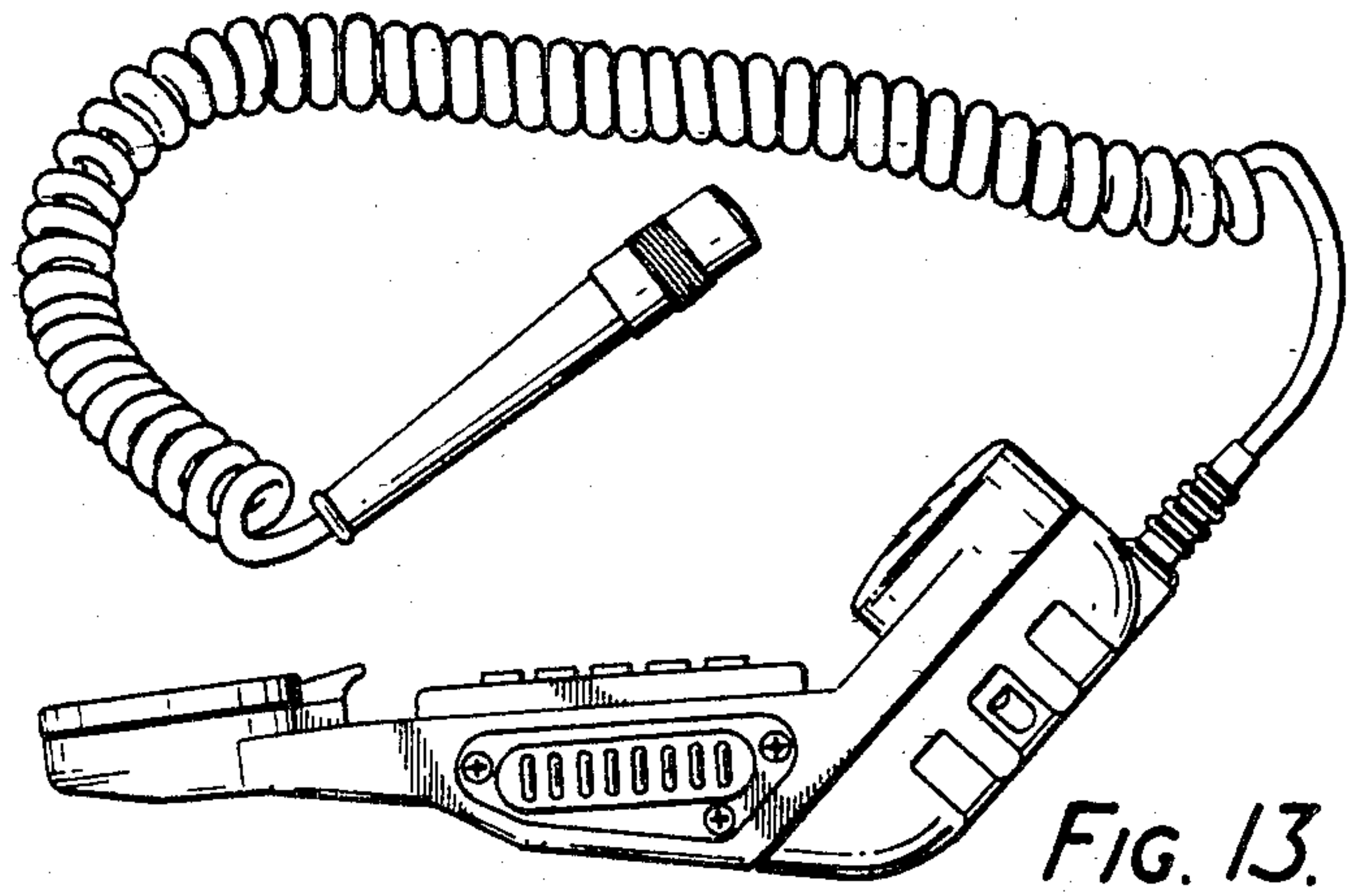


FIG. 13.

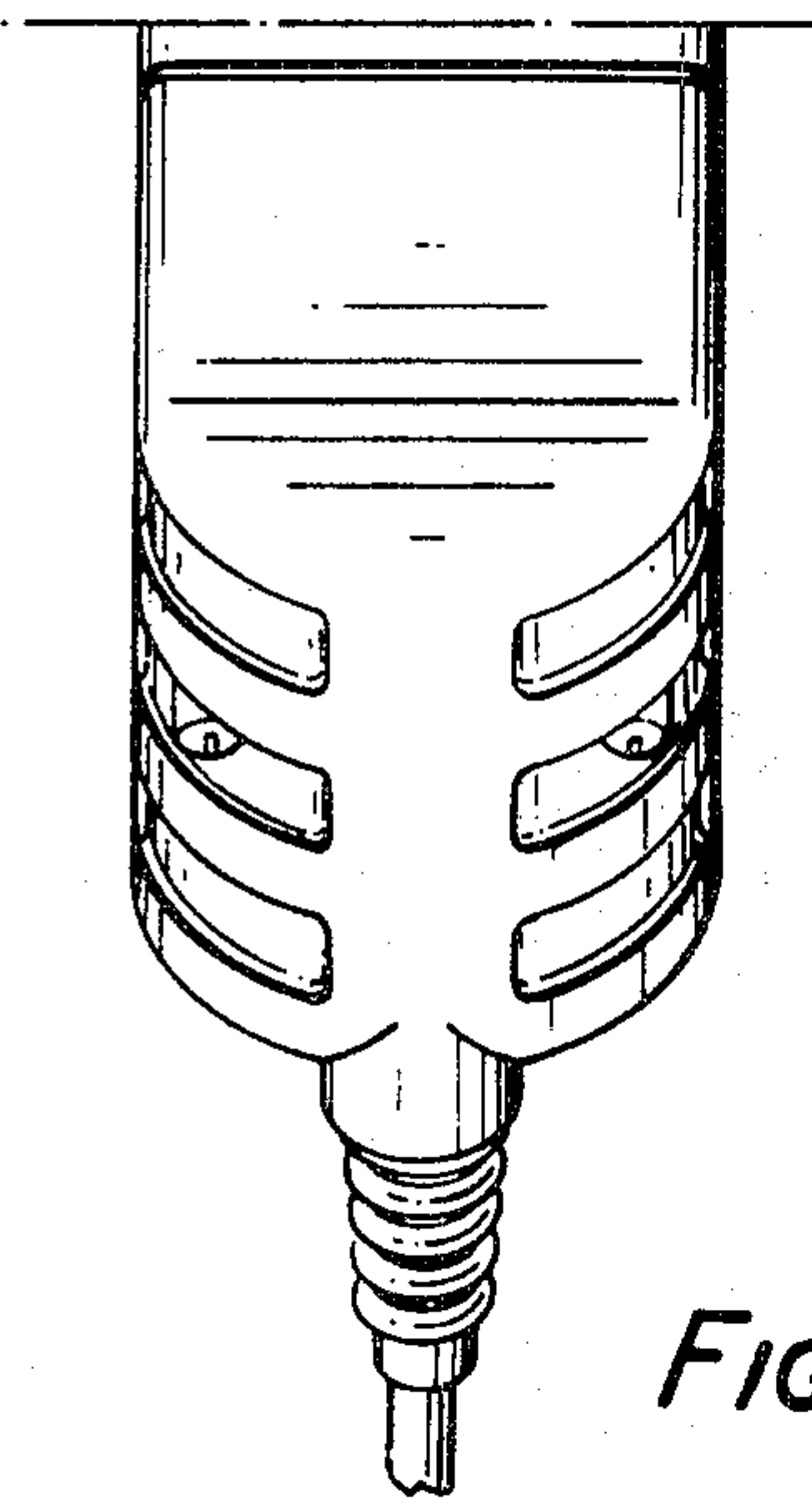


FIG. 18.



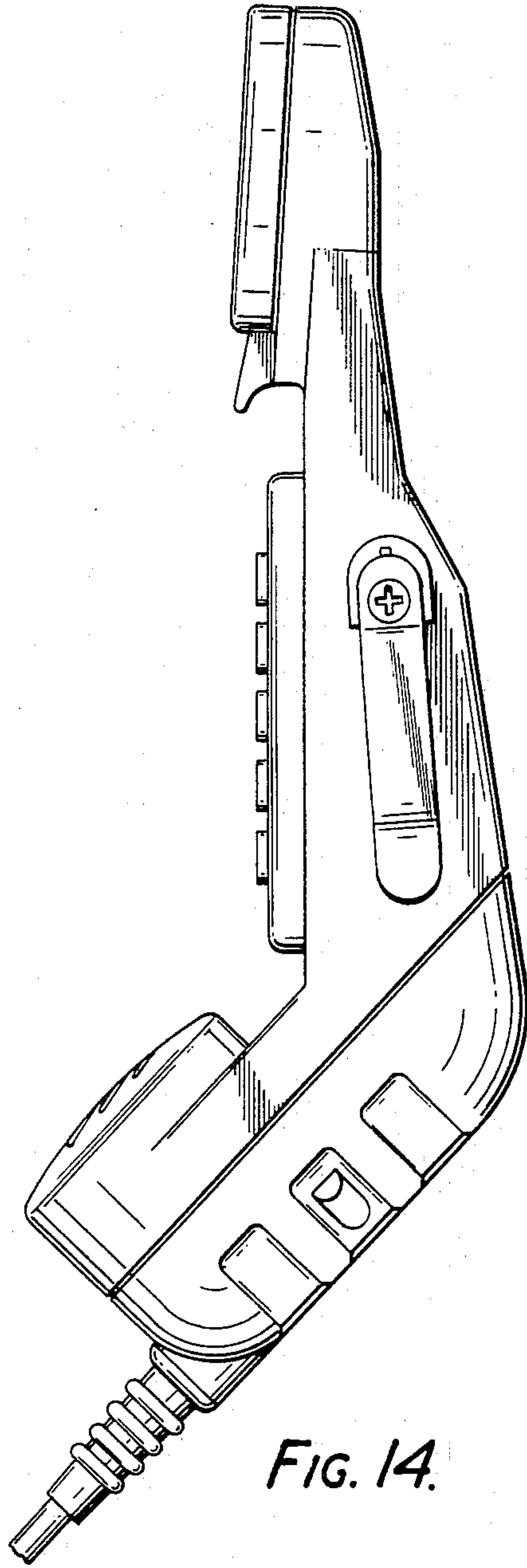


FIG. 14.

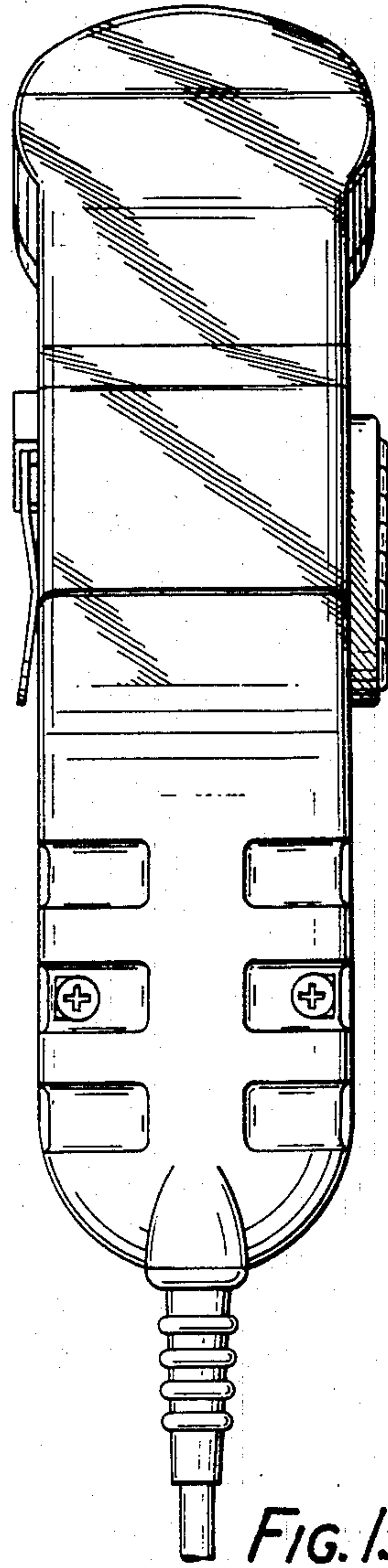


FIG. 15.

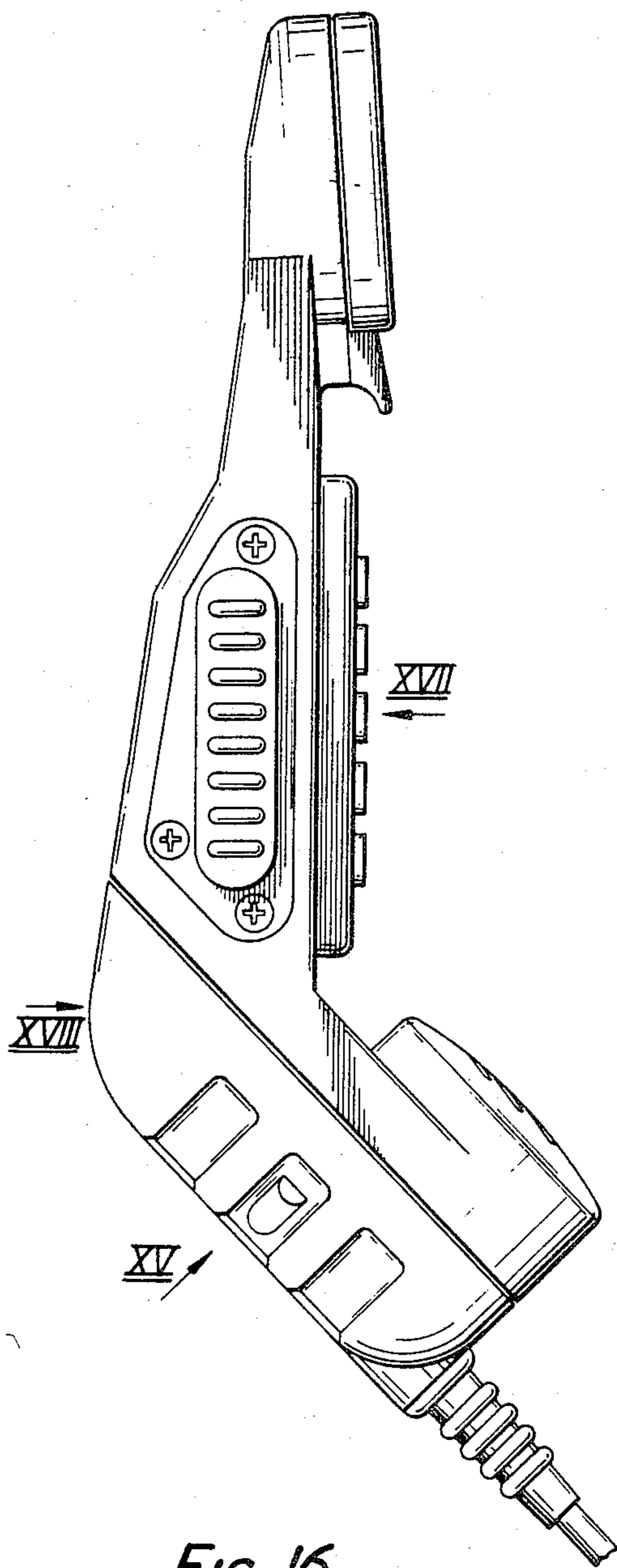


FIG. 16.

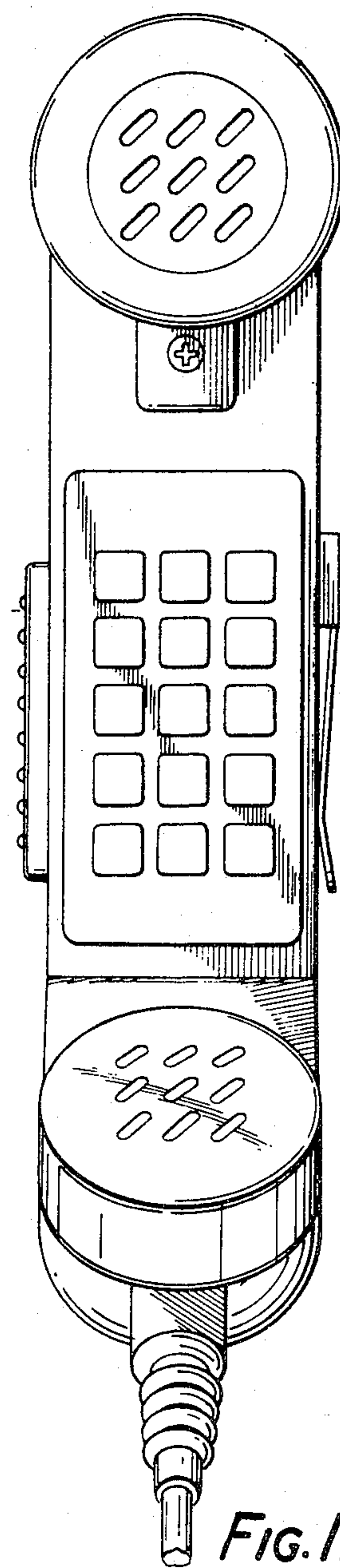


FIG. 17.