

[54] VEHICLE WHEEL CENTER

[75] Inventor: Raymond J. Hedlund, Concord, Calif.

[73] Assignee: Kelsey-Hayes Company, Romulus, Mich.

[\*\*] Term: 14 Years

[21] Appl. No.: 316,243

[22] Filed: Oct. 29, 1981

[52] U.S. Cl. .... D12/211

[58] Field of Search ..... D12/209, 211; 301/63 R, 301/63 PW, 64 R, 64 SD, 65, 37 R

[56] References Cited

PUBLICATIONS

"1981 Tread Design Guide," p. 94, Shelby International Asp Wheel, second row down from top & second wheel in from left side.

Primary Examiner—James M. Gandy

Attorney, Agent, or Firm—Ralph J. Skinkiss; David L. Kuhn

[57] CLAIM

The ornamental design for a vehicle wheel center, substantially as shown and described.

DESCRIPTION

FIG. 1 is a perspective view of a vehicle wheel center showing my new design, it being understood that the broken lines are for illustrative purposes only;

FIG. 2 is a front elevational view thereof;

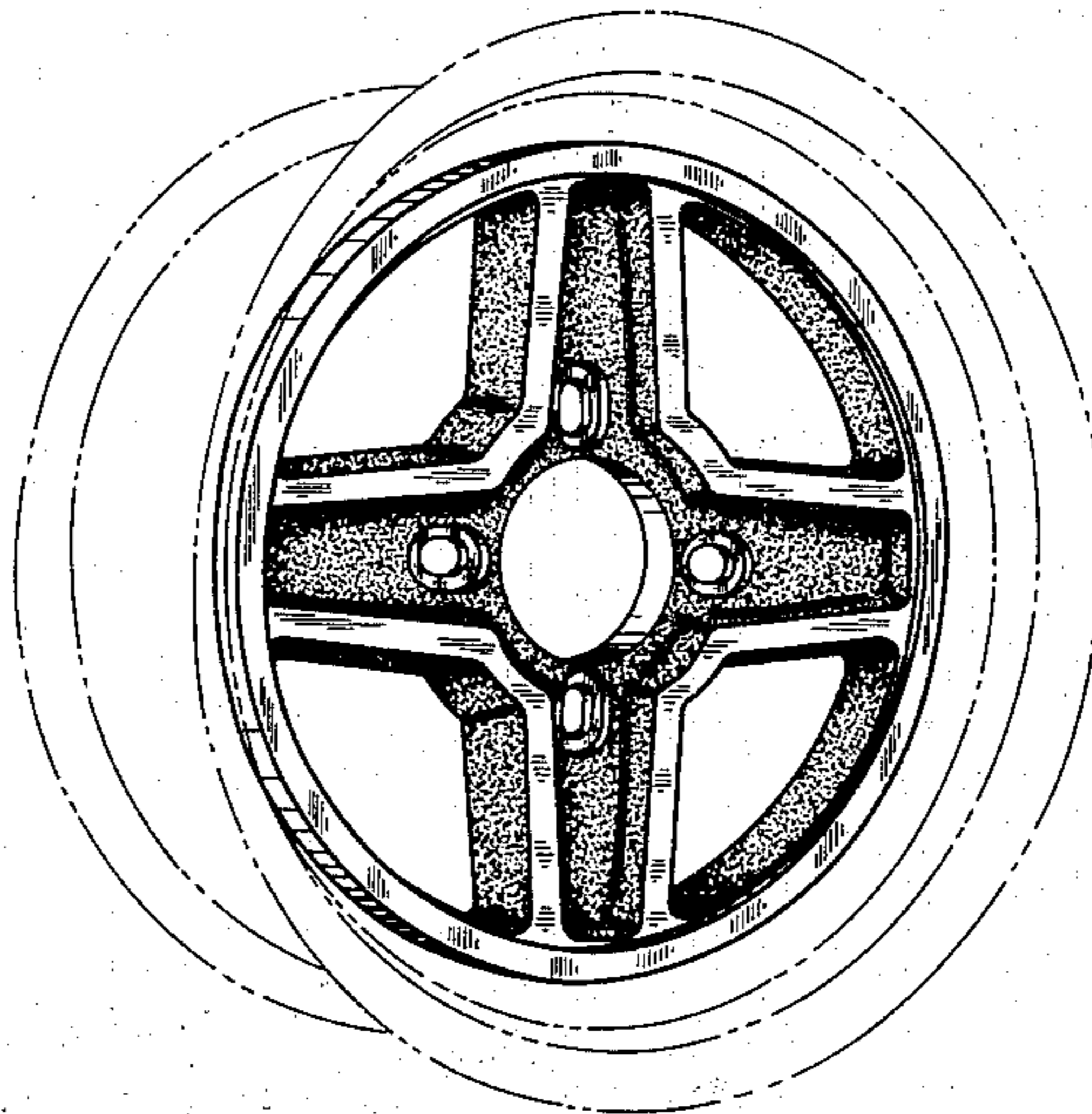
FIG. 3 is a sectional view taken along line 3—3 in FIG. 2;

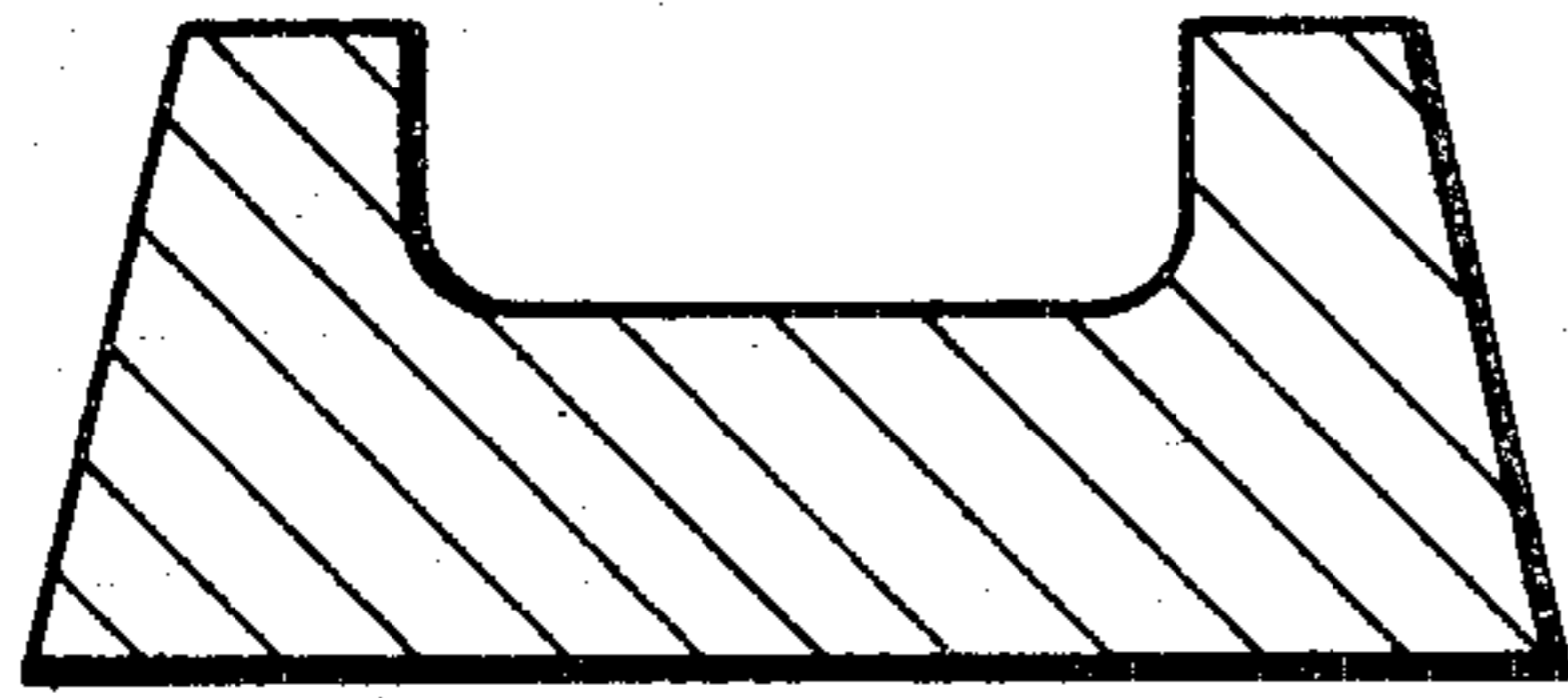
FIG. 4 is a sectional view taken along line 4—4 in FIG. 2;

FIG. 5 is a sectional view taken along line 5—5 in FIG. 2;

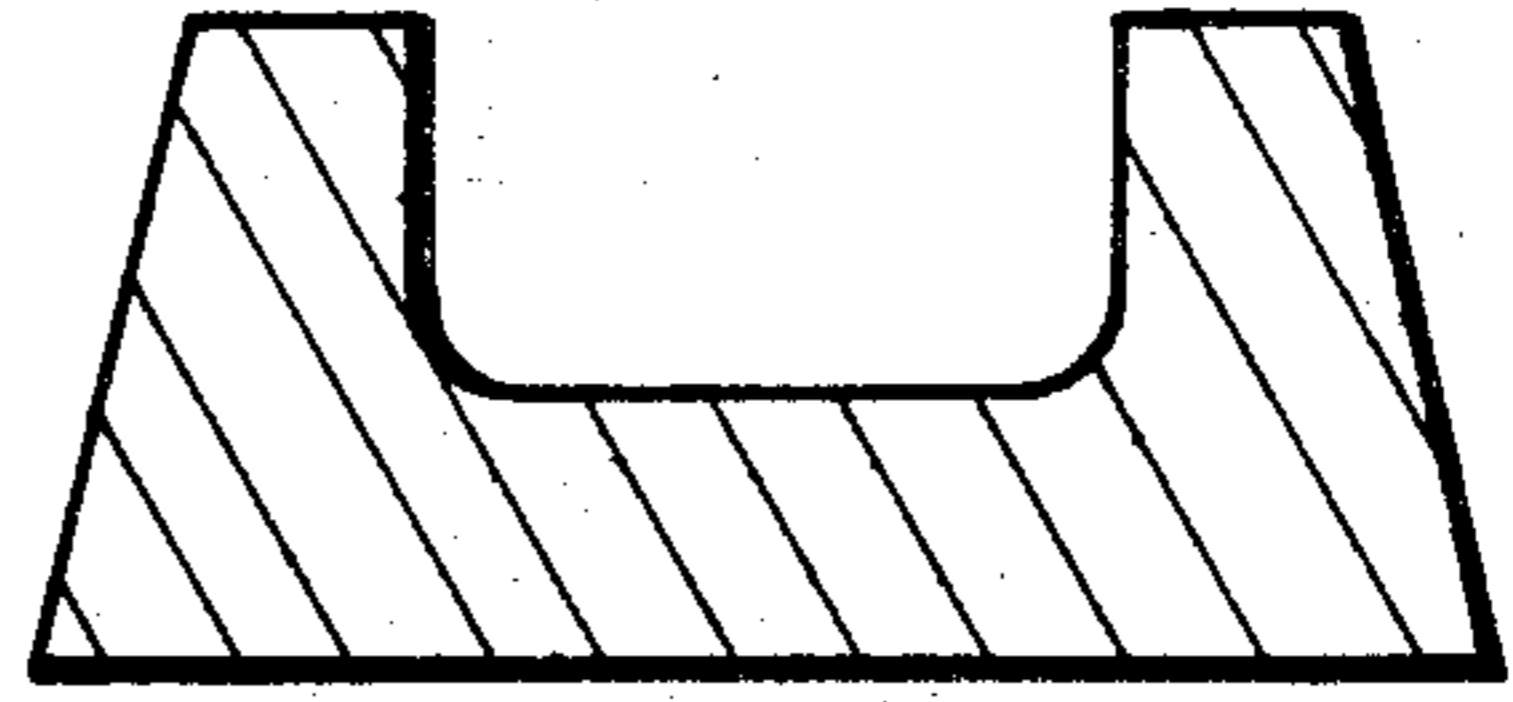
FIG. 6 is a sectional view taken along line 6—6 in FIG. 2;

FIG. 7 is a perspective view of a vehicle wheel center showing a second embodiment of my design, wherein the only difference resides in the shape of the bolt holes, it being understood that the broken lines are for illustrative purposes only.

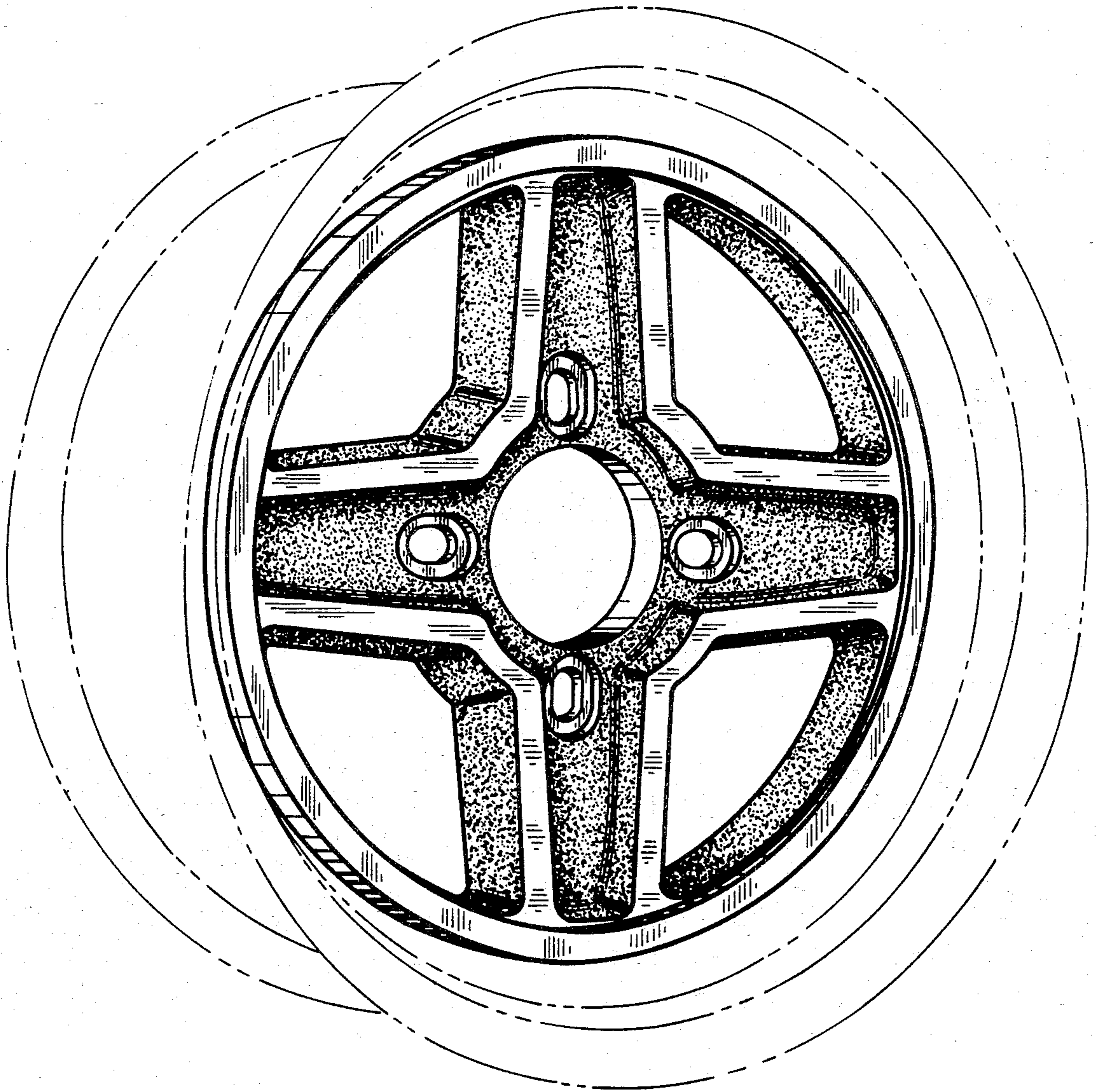




—FIG. 5

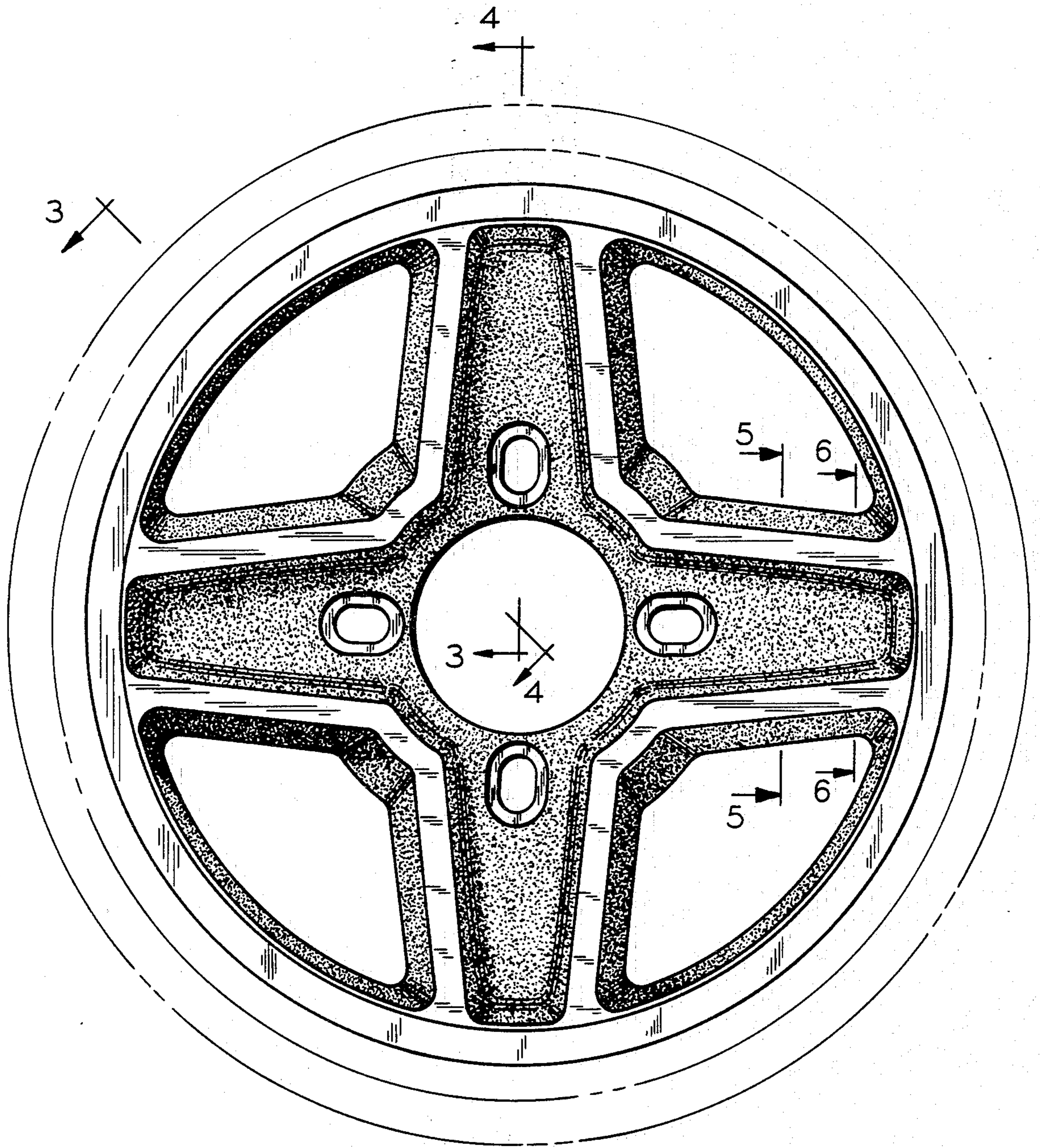


—FIG. 6

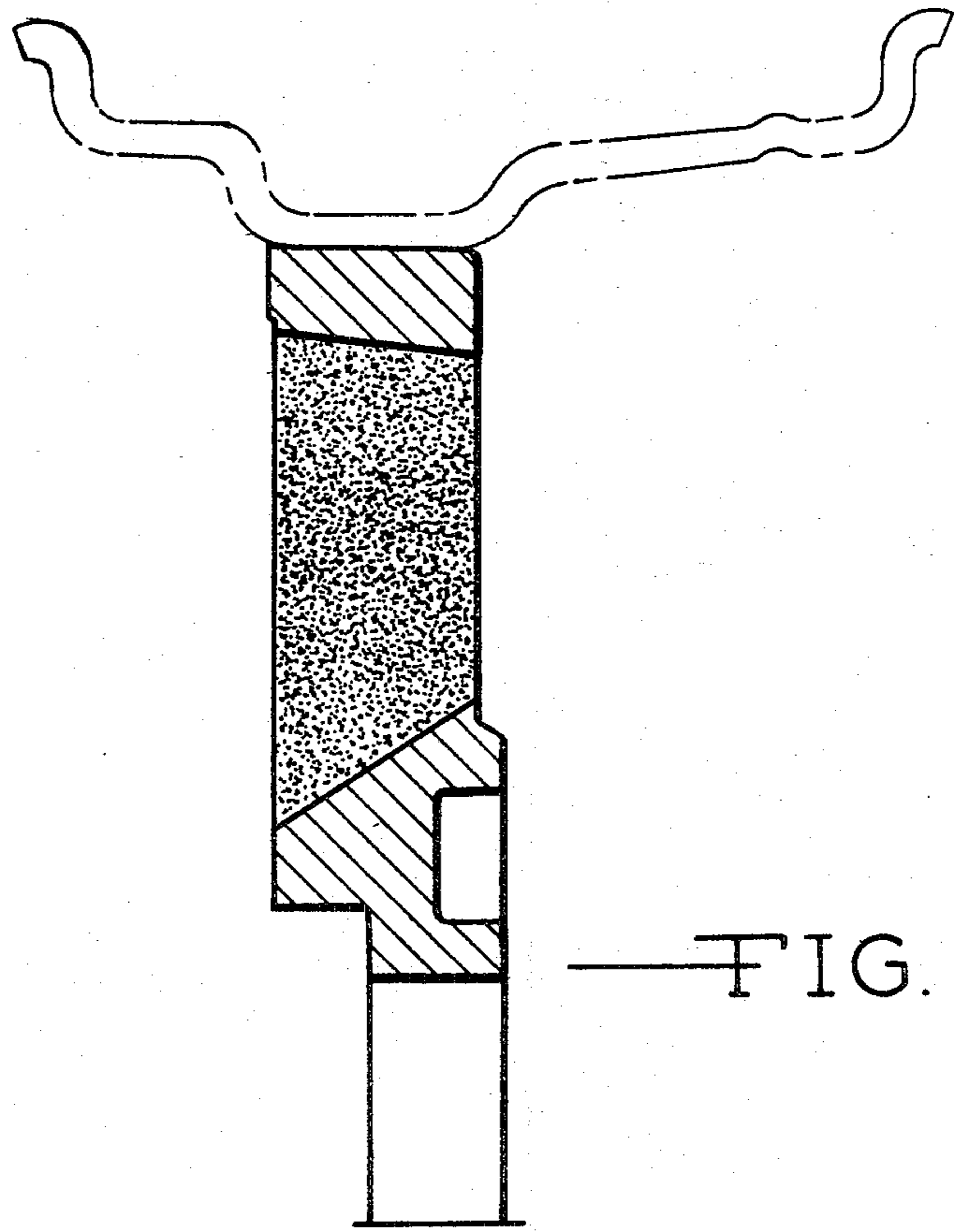


—FIG. 1

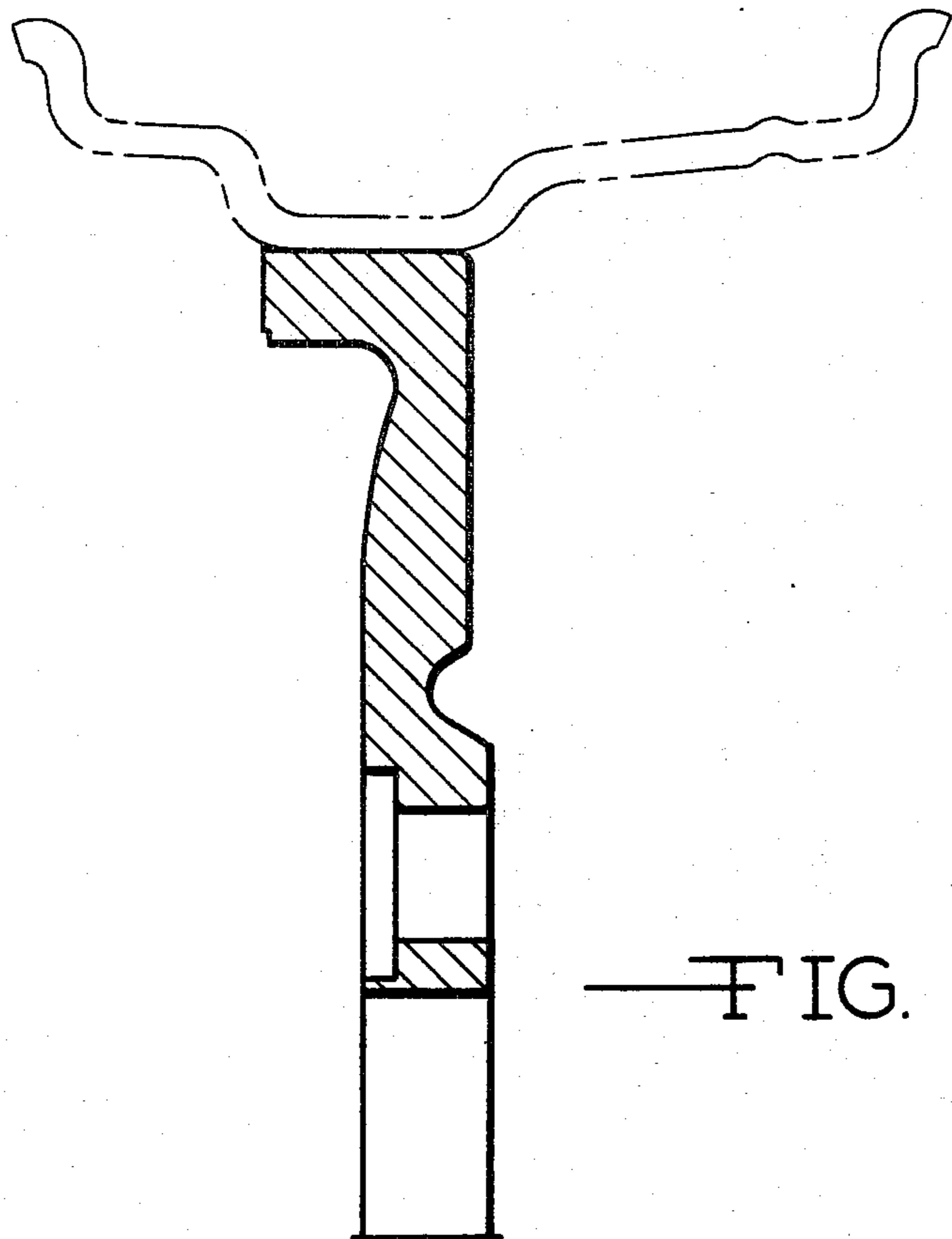




—FIG. 2

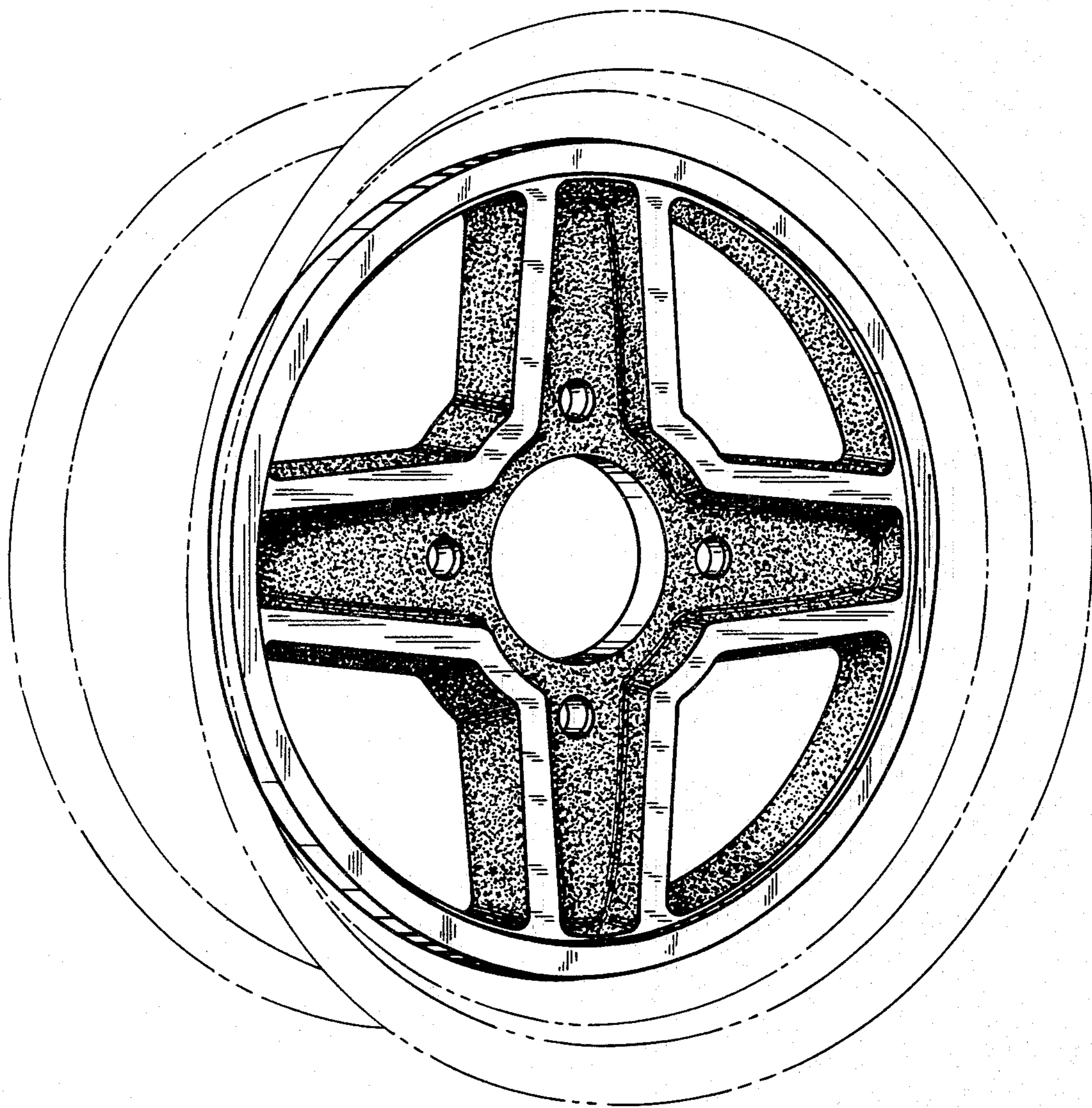


— FIG. 3



— FIG. 4





—FIG. 7