

[54] FOUR WHEELED MOTORCYCLE

[75] Inventors: Akio Makita, Tokyo; Yukinori Kawaguchi, Saitama; Akira Watanabe, Tokyo, all of Japan

[73] Assignee: Honda Giken Kogyo Kabushiki Kaisha, Tokyo, Japan

[**] Term: 14 Years

[21] Appl. No.: 613,509

[22] Filed: May 23, 1984

[30] Foreign Application Priority Data

Nov. 24, 1983 [JP] Japan 58-50962

[52] U.S. Cl. D12/107

[58] Field of Search D12/107, 110; 180/233, 180/241, 251, 311

[56] References Cited

U.S. PATENT DOCUMENTS

D. 277,088 1/1985 Murakami D12/107

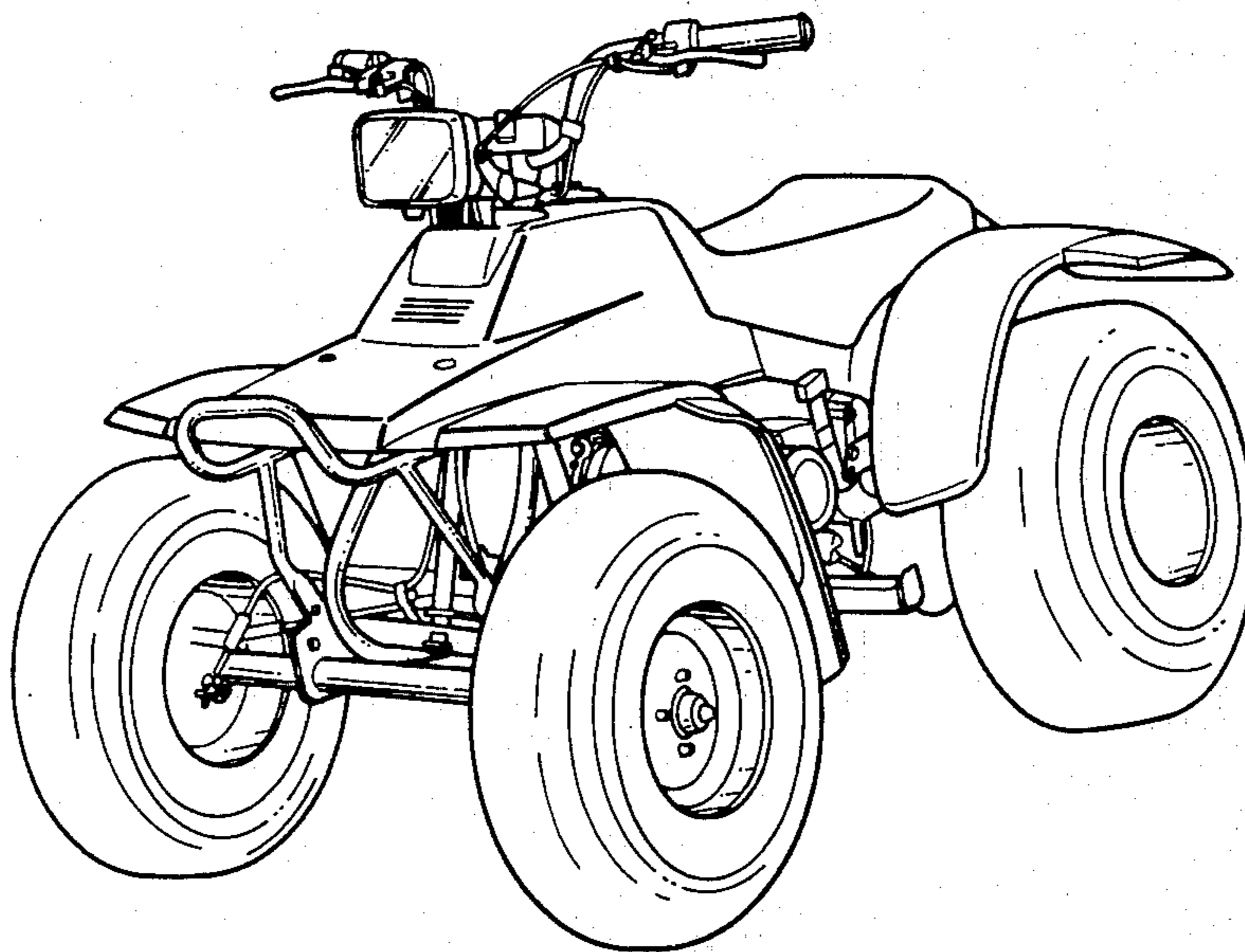
Primary Examiner—James M. Gandy
Attorney, Agent, or Firm—Lyon & Lyon

[57] CLAIM

The ornamental design for a four wheeled motorcycle, as shown.

DESCRIPTION

FIG. 1 is a top perspective view of a four wheeled motorcycle showing our new design;
FIG. 2 is a bottom perspective view thereof;
FIG. 3 is a front perspective view thereof;
FIG. 4 is a side perspective view of the right side thereof;
FIG. 5 is a side perspective view of the left side thereof;
FIG. 6 is a rear perspective view thereof; and
FIG. 7 is a perspective view taken from the front and left side thereof.



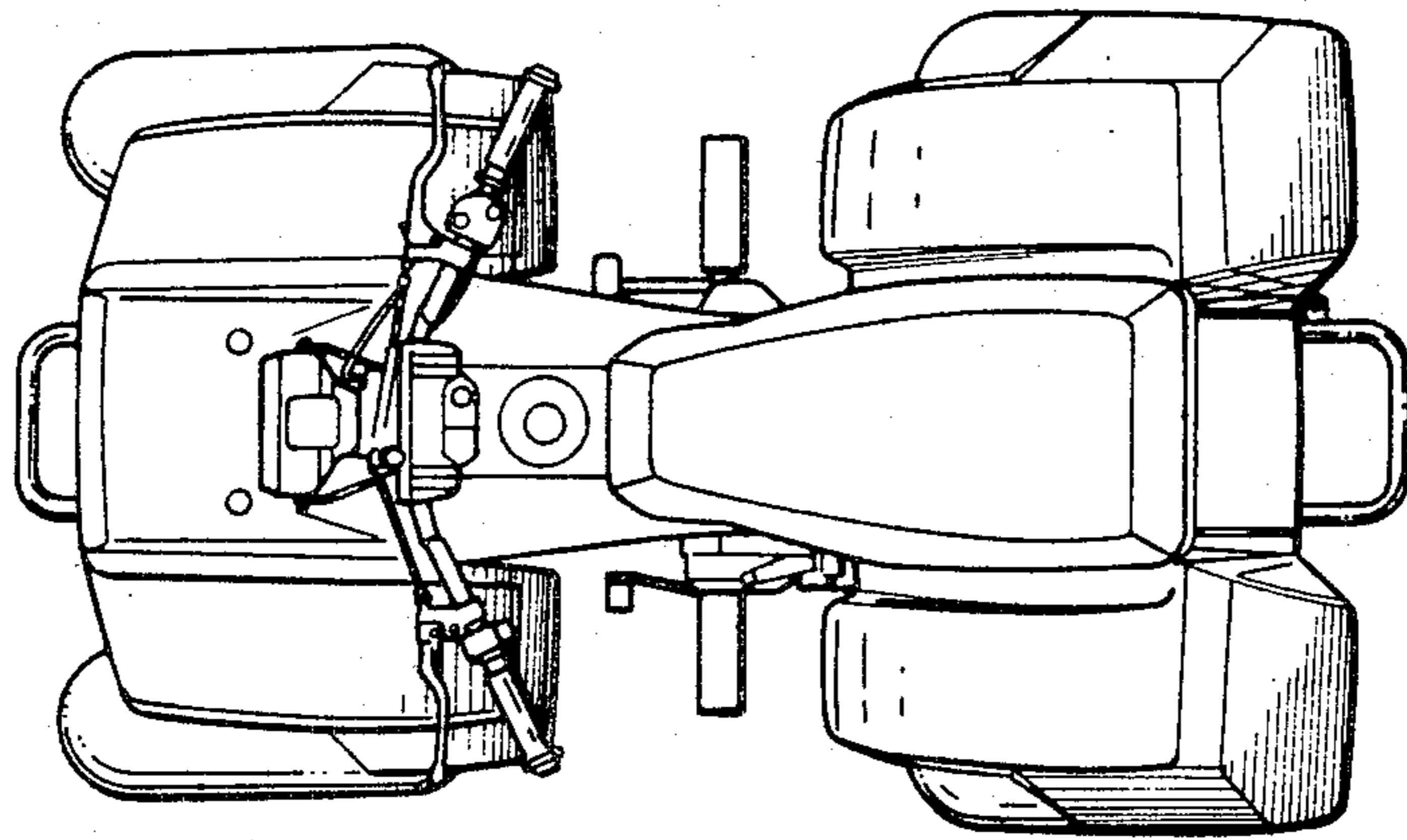


FIG. 1.

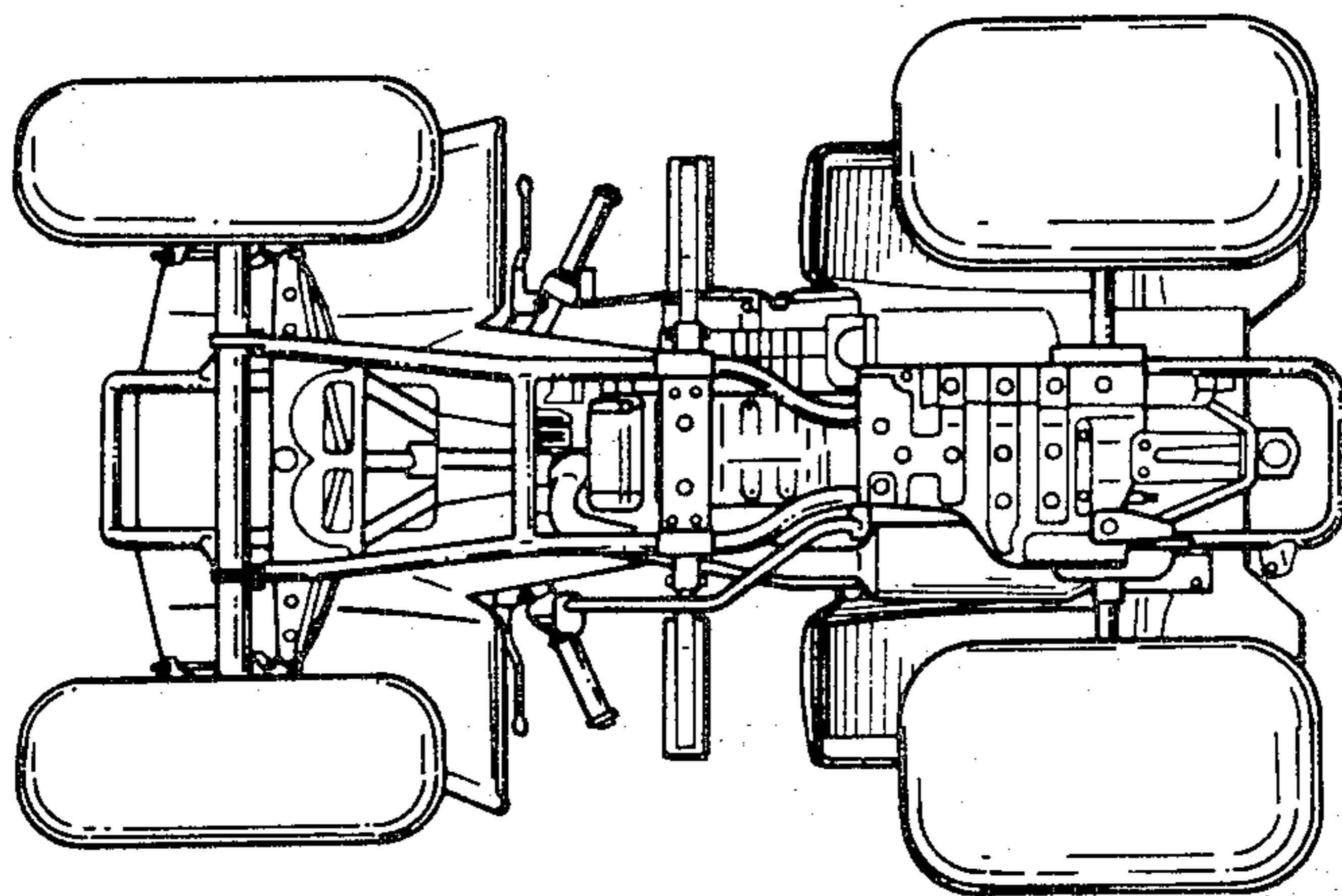


FIG. 2.

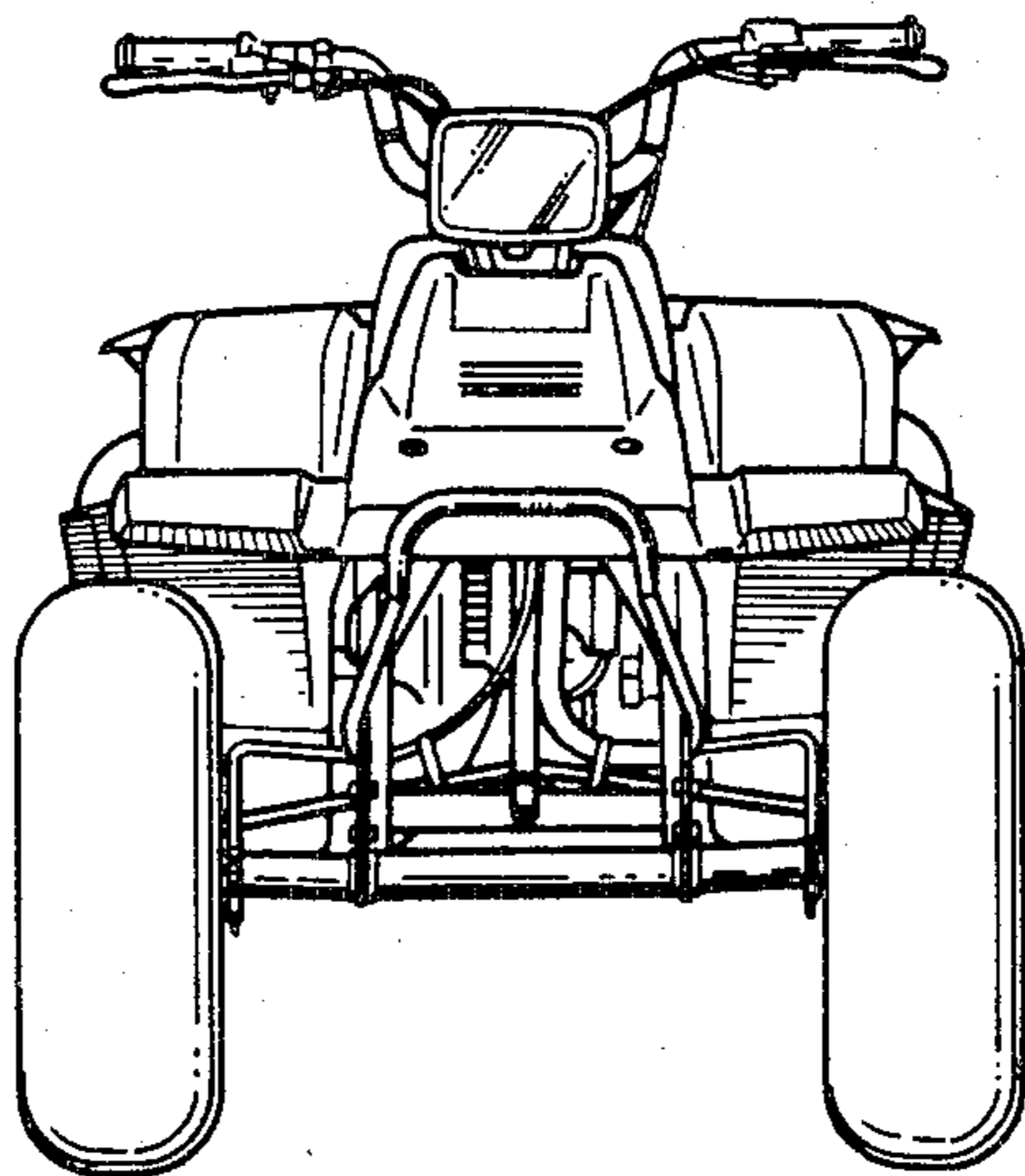


FIG. 3.

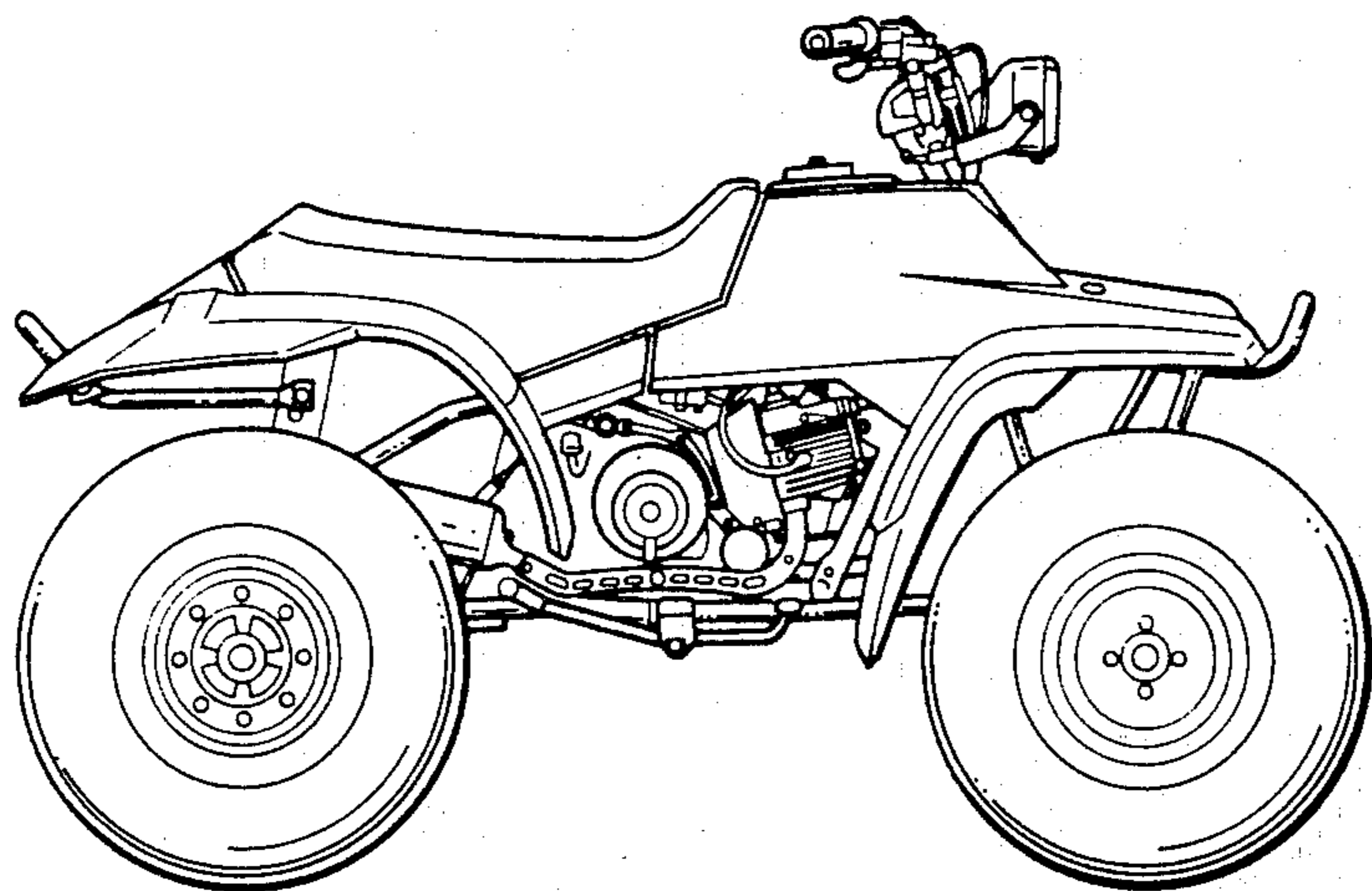


FIG. 4.

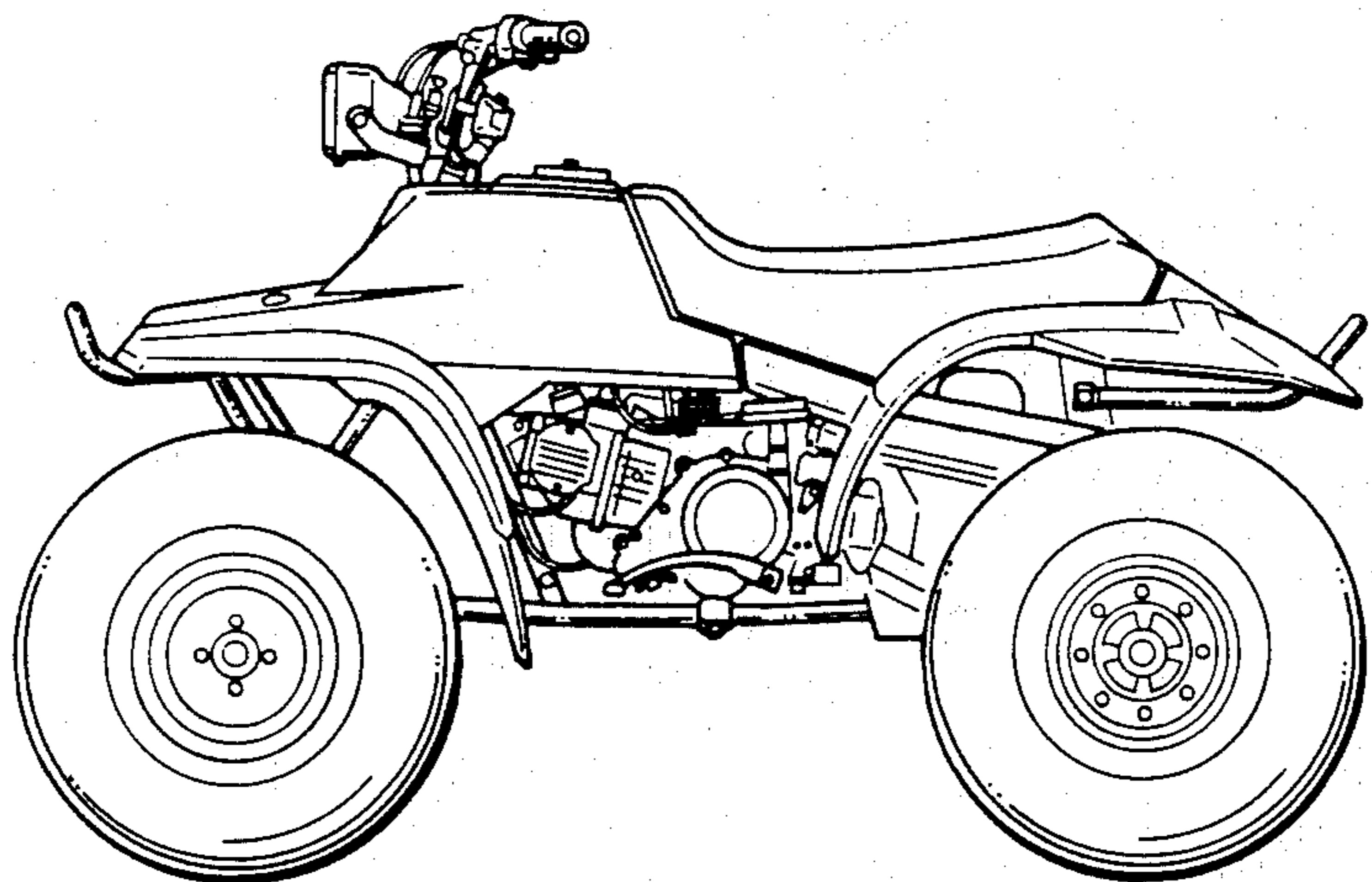


FIG. 5.

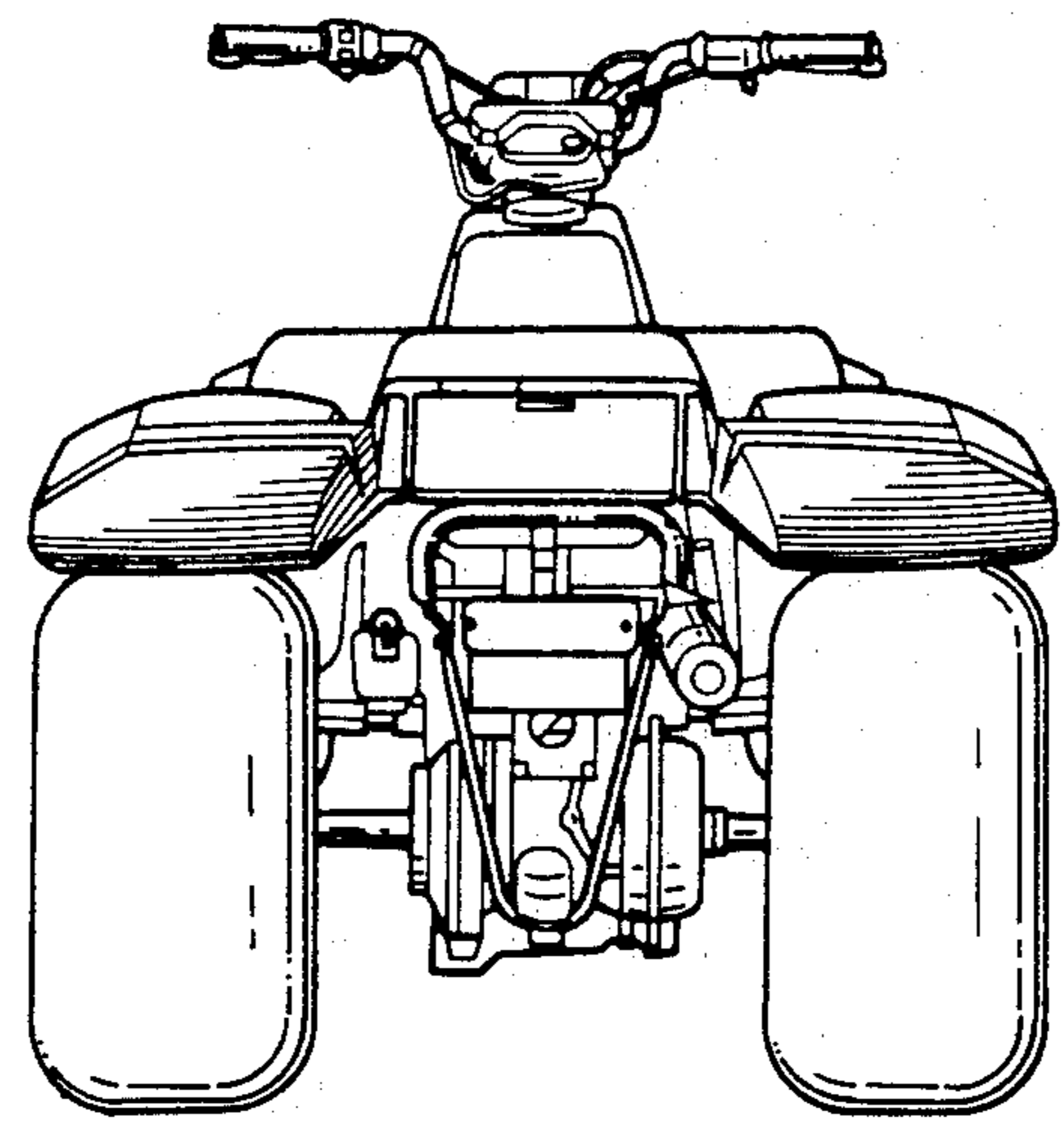


FIG. 6.

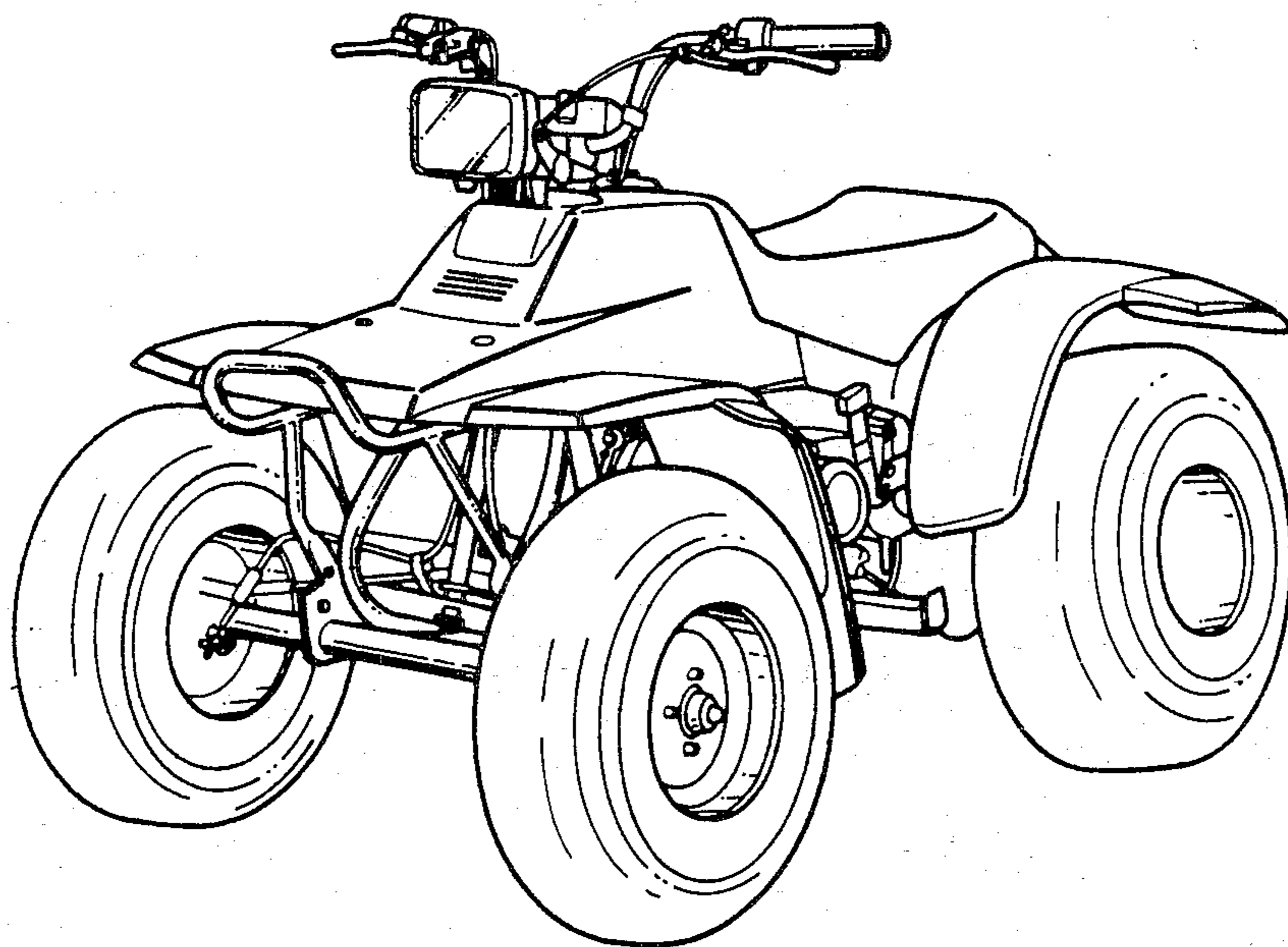


FIG. 7.