

[54] CARRYING ATTACHMENT FOR A BOTTLE

[76] Inventor: Nai F. Wu, 4th Fl., No. 9, Lane 150, Sec. 2 Pao Fu Rd., Yuan Ho City, Taipei Hsien, Taiwan

[\*\*] Term: 14 Years

[21] Appl. No.: 548,575

[22] Filed: Nov. 4, 1983

[30] Foreign Application Priority Data

Nov. 19, 1982 [TW] Taiwan ..... 7133733

[52] U.S. Cl. .... D9/434; 294/31.2

[58] Field of Search ..... 224/148; 215/100 R, 215/100 A; D9/434, 455, 369; 294/31.2, 27.1; D7/70; D3/30.1

[56] References Cited

U.S. PATENT DOCUMENTS

- 1,422,574 7/1922 Hough ..... 294/31.2
- 1,609,721 12/1926 Husted ..... 294/31.2
- 1,825,897 10/1931 Brooke ..... 294/31.2

- 2,738,114 3/1956 Kahlan et al. .... 215/100 A
- 3,275,366 9/1966 Hidding ..... 215/100 A X
- 3,990,596 11/1976 Hoftman ..... 215/100 A X

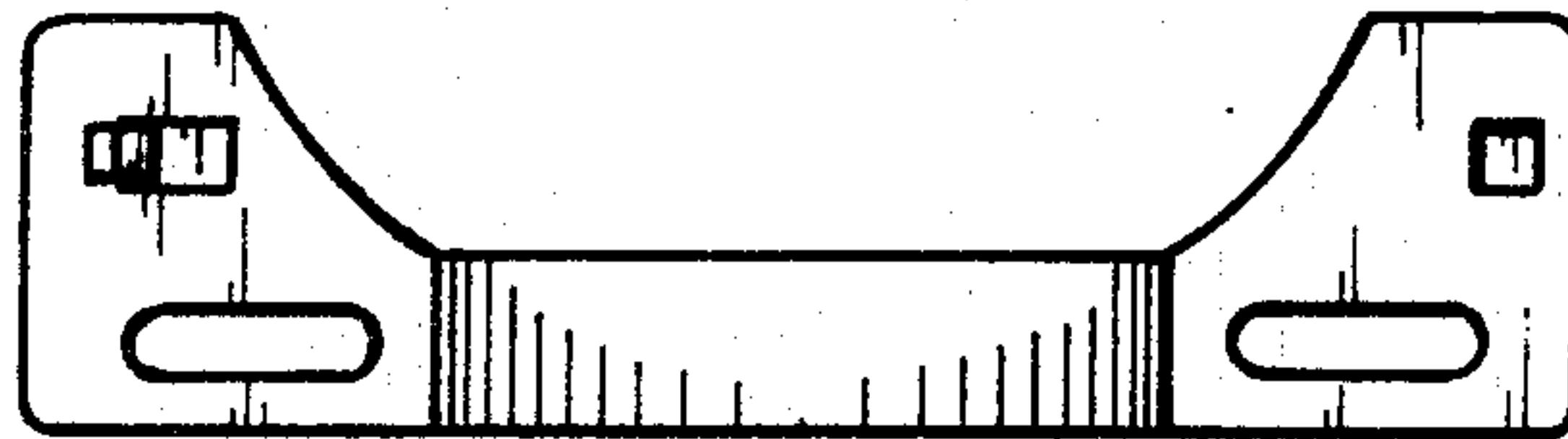
Primary Examiner—Robert C. Spangler  
Attorney, Agent, or Firm—McGlew and Tuttle

[57] CLAIM

The ornamental design for a carrying attachment for a bottle, as shown and described.

DESCRIPTION

FIG. 1 is a top plan view of a carrying attachment for a bottle showing my new design;  
 FIG. 2 is a bottom plan view thereof;  
 FIG. 3 is a front elevational view thereof;  
 FIG. 4 is a rear elevational view thereof;  
 FIG. 5 is a left side elevational view thereof;  
 FIG. 6 is a right side elevational view thereof;  
 FIG. 7 is a perspective view thereof showing my new design; and  
 FIG. 8 is another perspective view on a reduced scale with a bottle and carrying strap being shown in broken lines to show environmental use only.



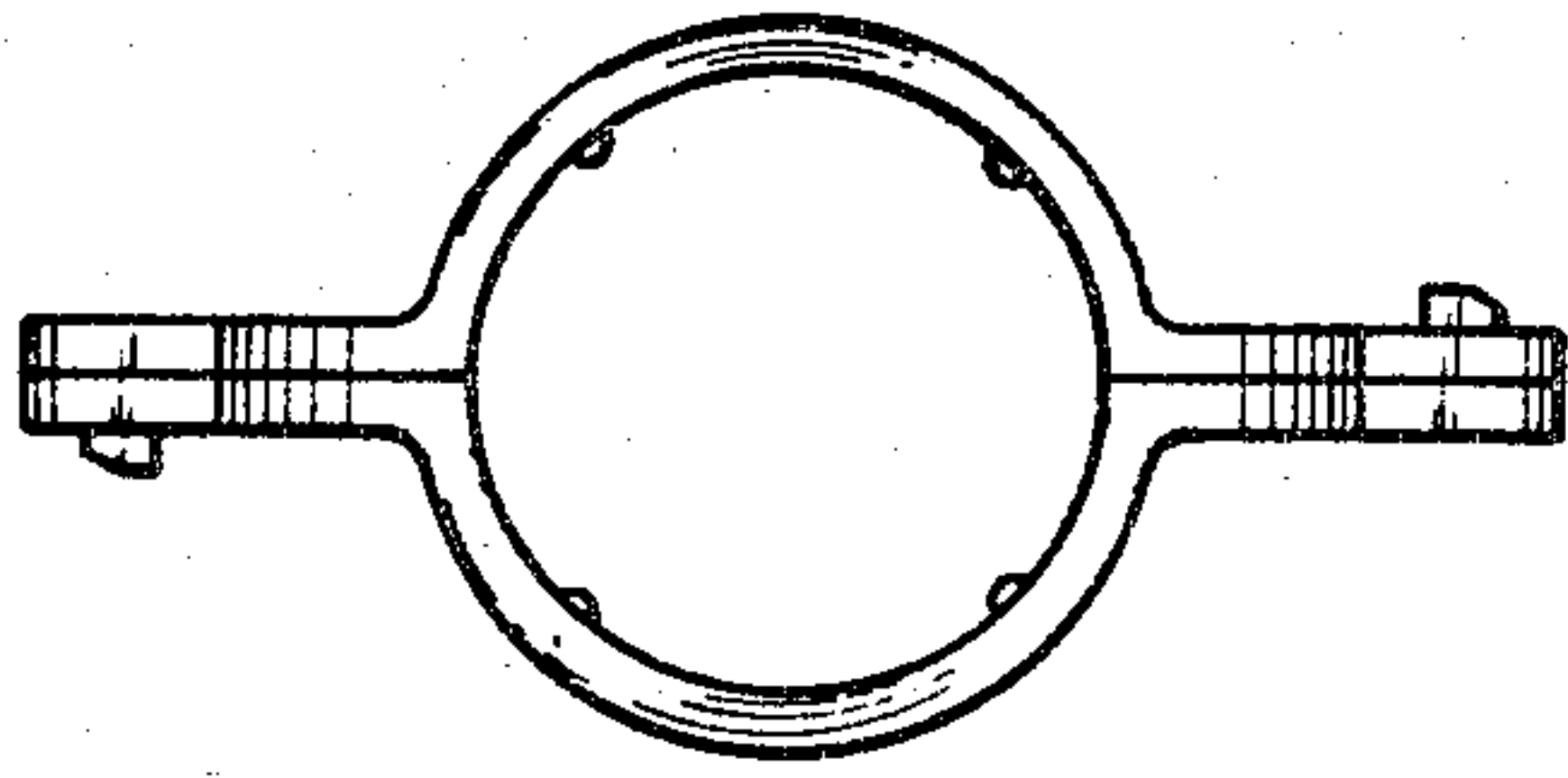


FIG. 1

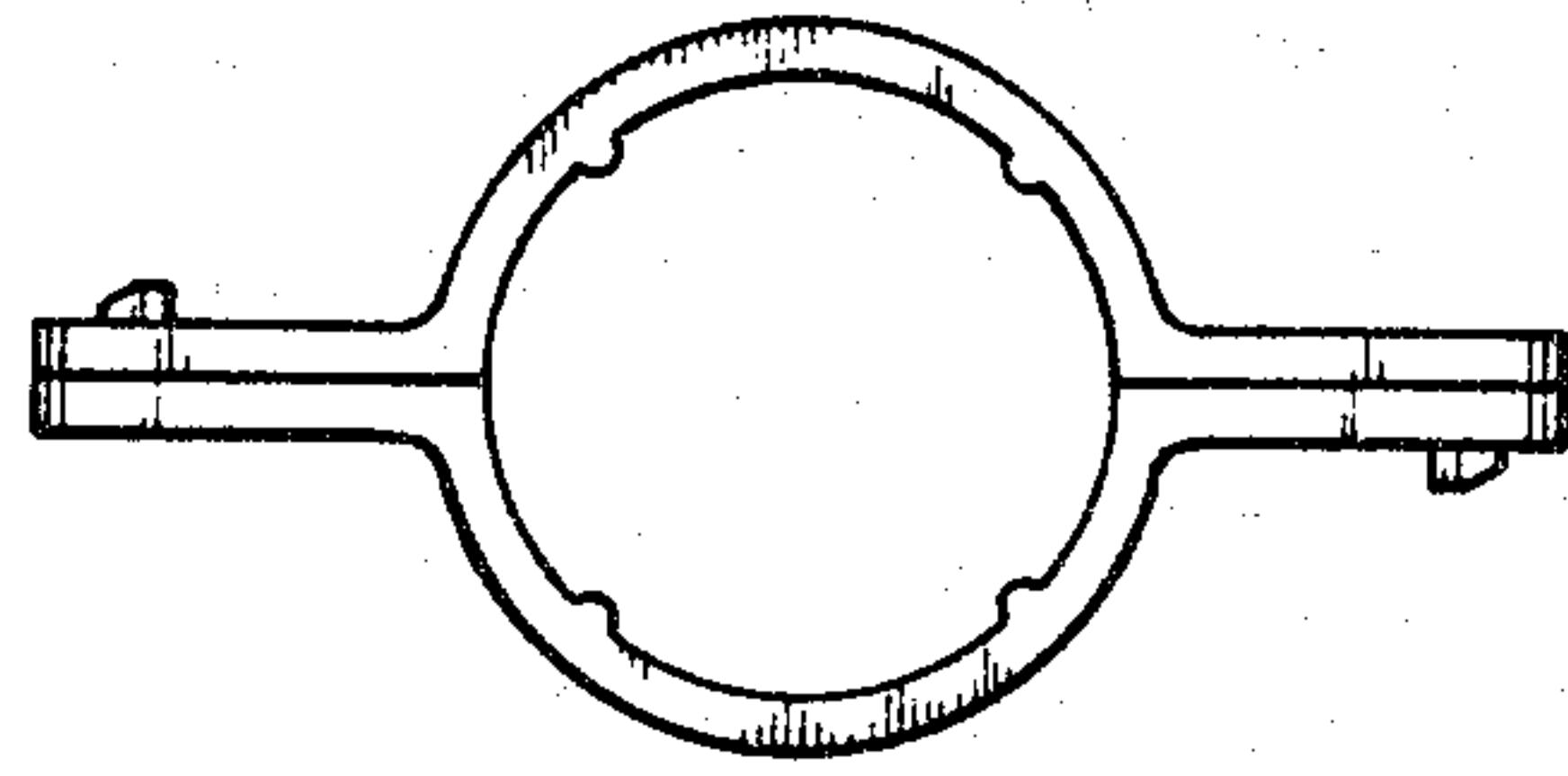


FIG. 2

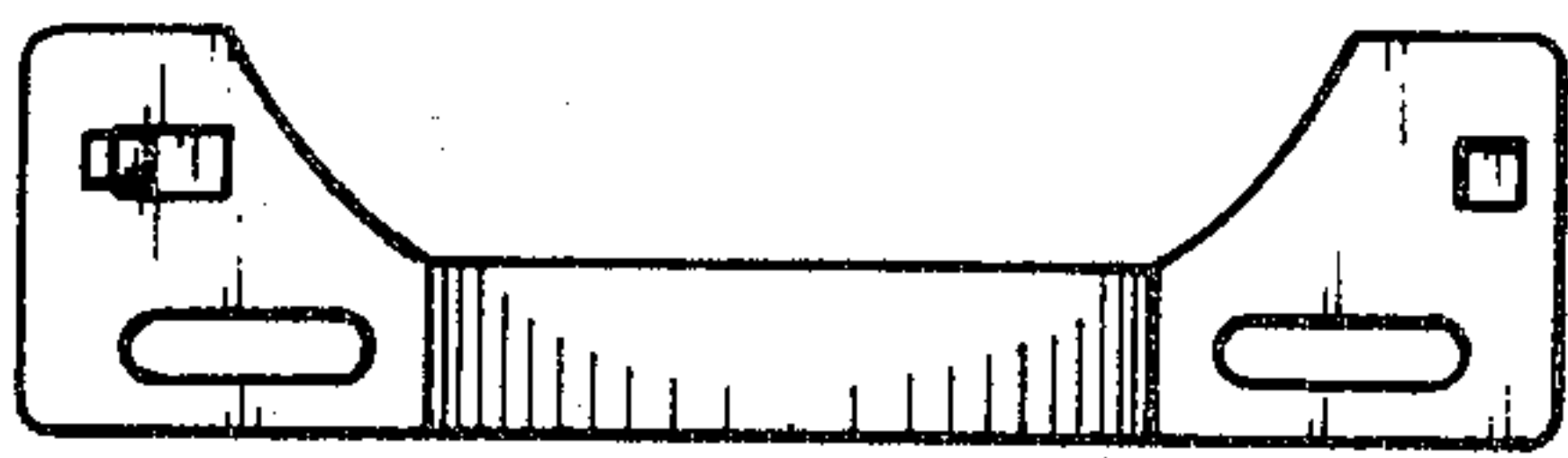


FIG. 3

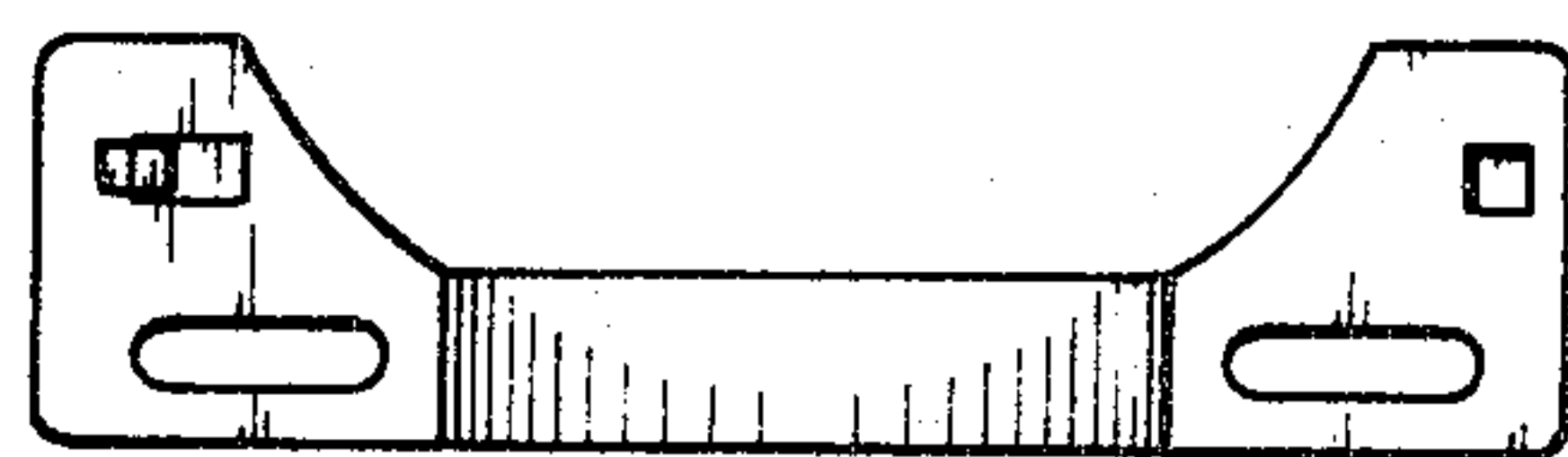


FIG. 4

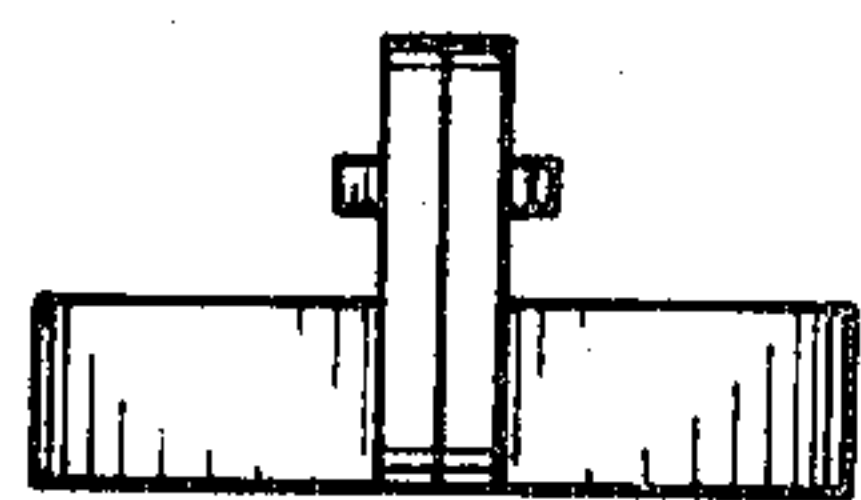


FIG. 5

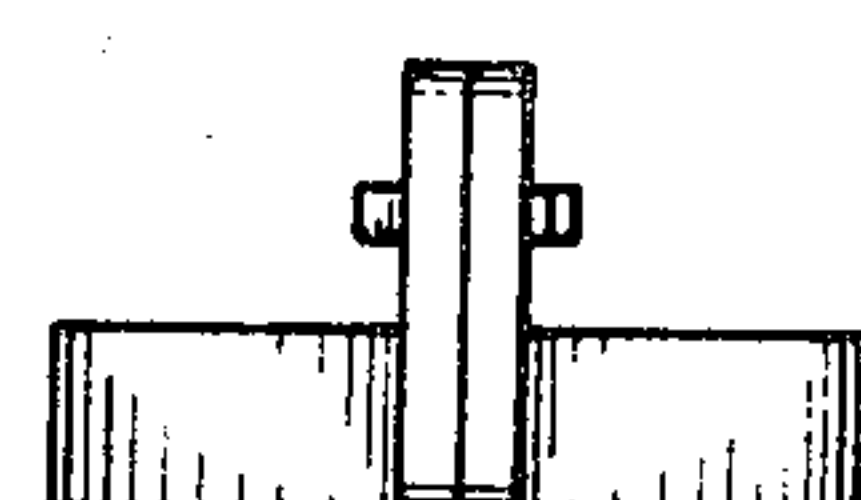


FIG. 6

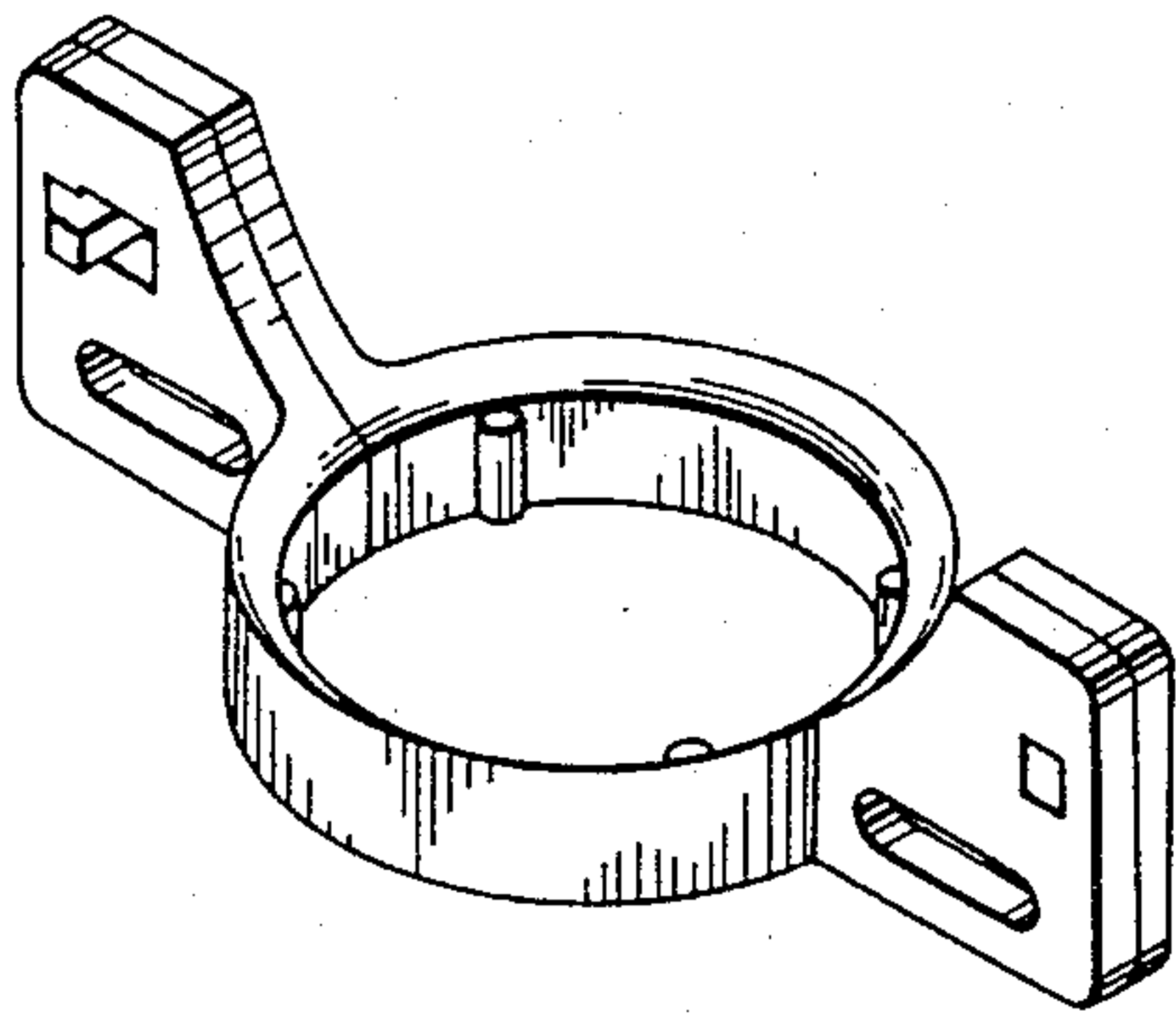


FIG. 7

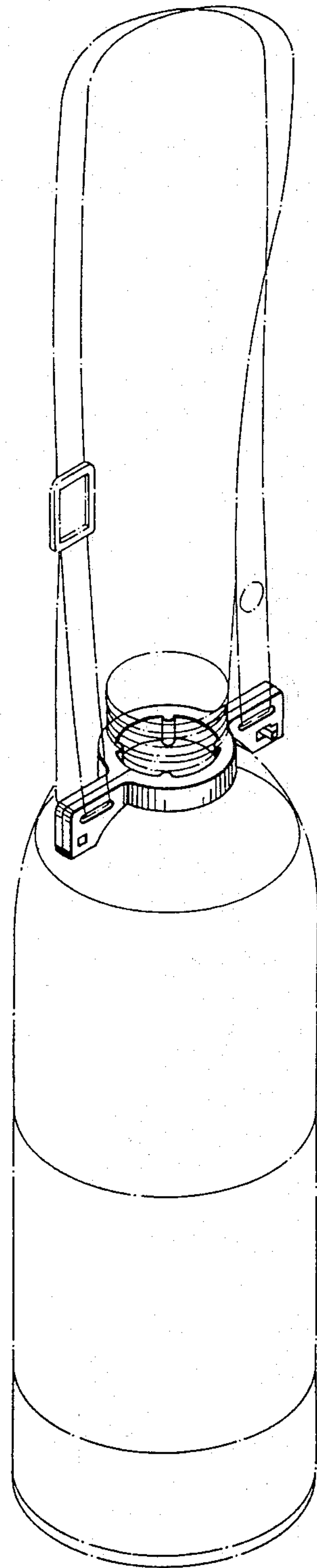


FIG. 8