

[54] BOTTLE

[75] Inventor: Timothy Anscomb, Chailey, England

[73] Assignee: Schering - Prebbles Limited, Bootle, England

[**] Term: 14 Years

[21] Appl. No.: 569,003

[22] Filed: Jan. 9, 1984

[52] U.S. Cl. D9/301

[58] Field of Search D9/301; D24/63, 56, D24/58; 128/232, 350 V, 350 R; 215/1 R, 1 C; 206/498, 627; 222/206, 541, 215, 92, 95, 107

[56] References Cited

U.S. PATENT DOCUMENTS

- D. 236,235 8/1975 Payton D24/63
- D. 238,710 2/1976 Cacanindin D9/301 X
- D. 241,884 10/1976 Gross D9/301 X

- D. 248,827 8/1978 Goldschmidt et al. D24/63 X
- D. 269,706 7/1983 Green D9/301 X
- 3,143,429 8/1964 Swanson et al. D9/301 X
- 3,162,371 12/1964 Palmer et al. D9/301 X
- 3,172,577 3/1965 Hartung D9/301 X
- 3,557,788 1/1971 Swartz D9/301 X

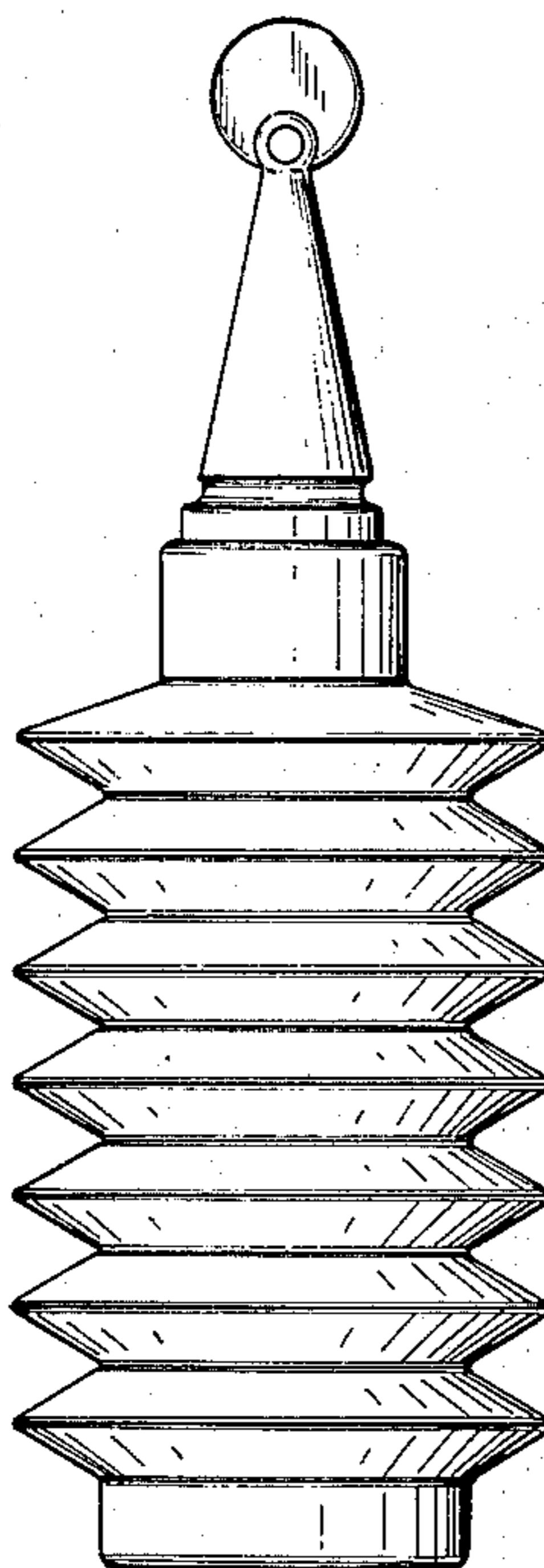
Primary Examiner—Robert C. Spangler
Attorney, Agent, or Firm—Millen & White

[57] CLAIM

The ornamental design for a bottle, substantially as shown and described.

DESCRIPTION

FIG. 1 is a perspective view of a bottle showing my new design;
FIG. 2 is an elevational view, the opposite side being the same in appearance;
FIG. 3 is a view looking from the right of FIG. 2, the opposite side being the same in appearance; and
FIG. 4 is a top plan view thereof.



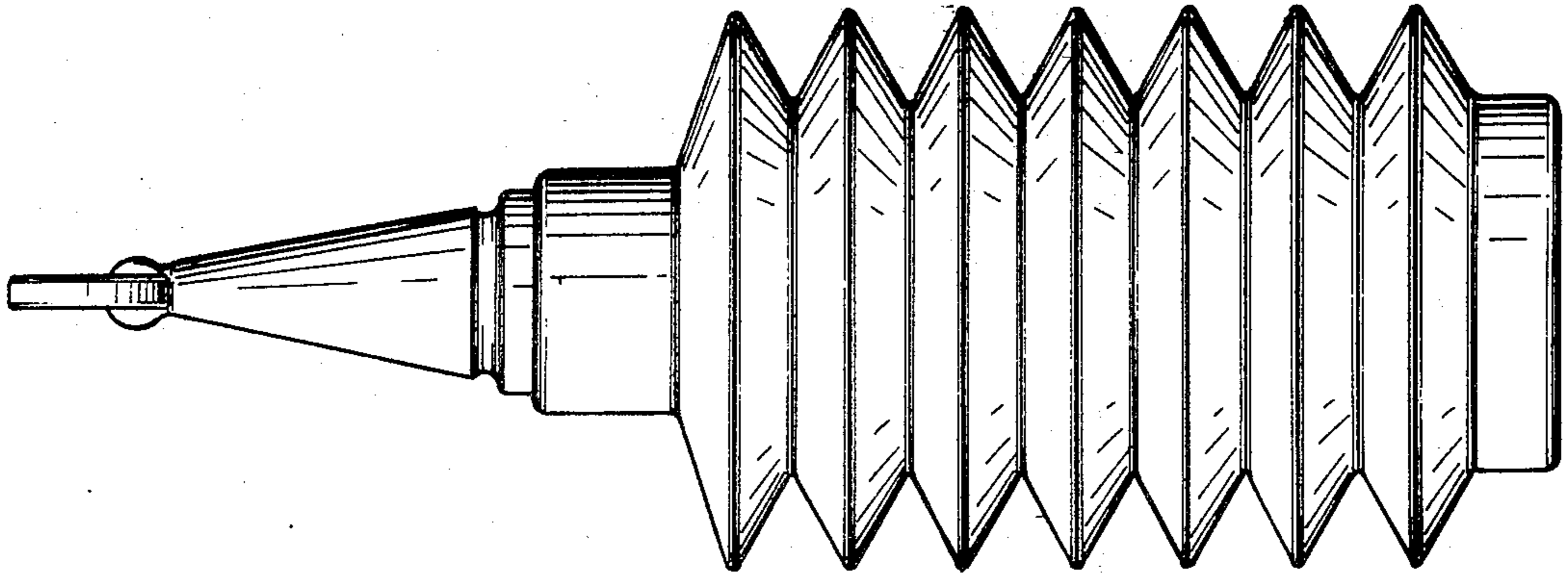


FIG. 3

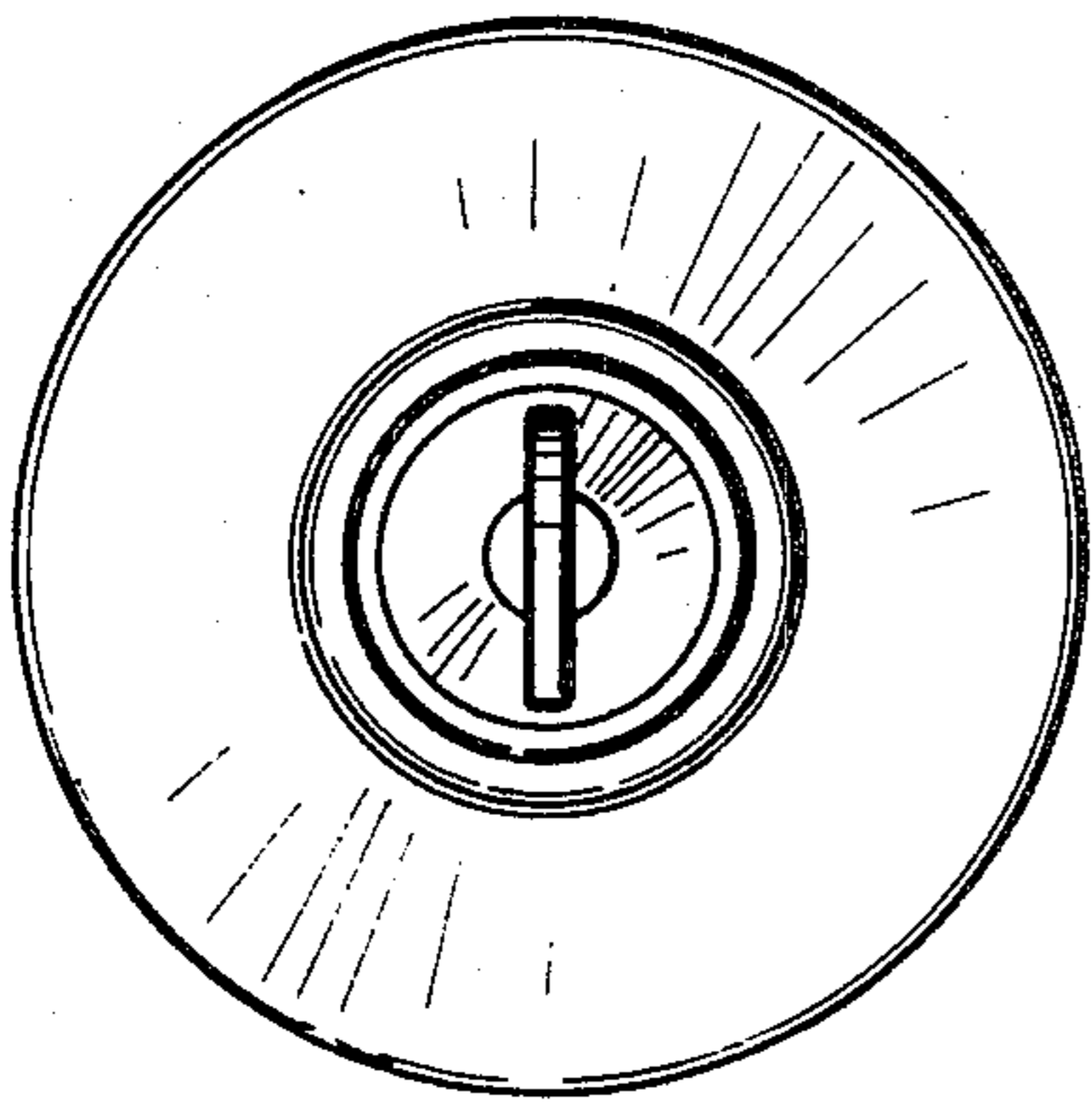


FIG. 4

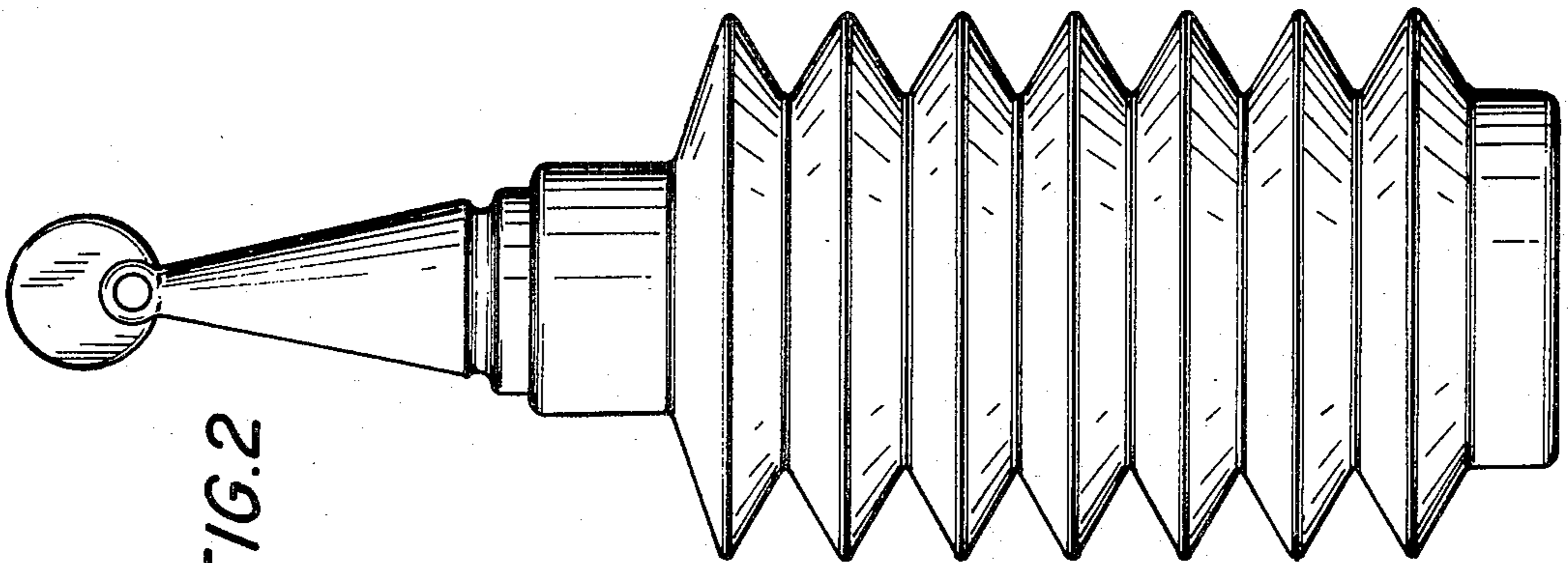


FIG. 2

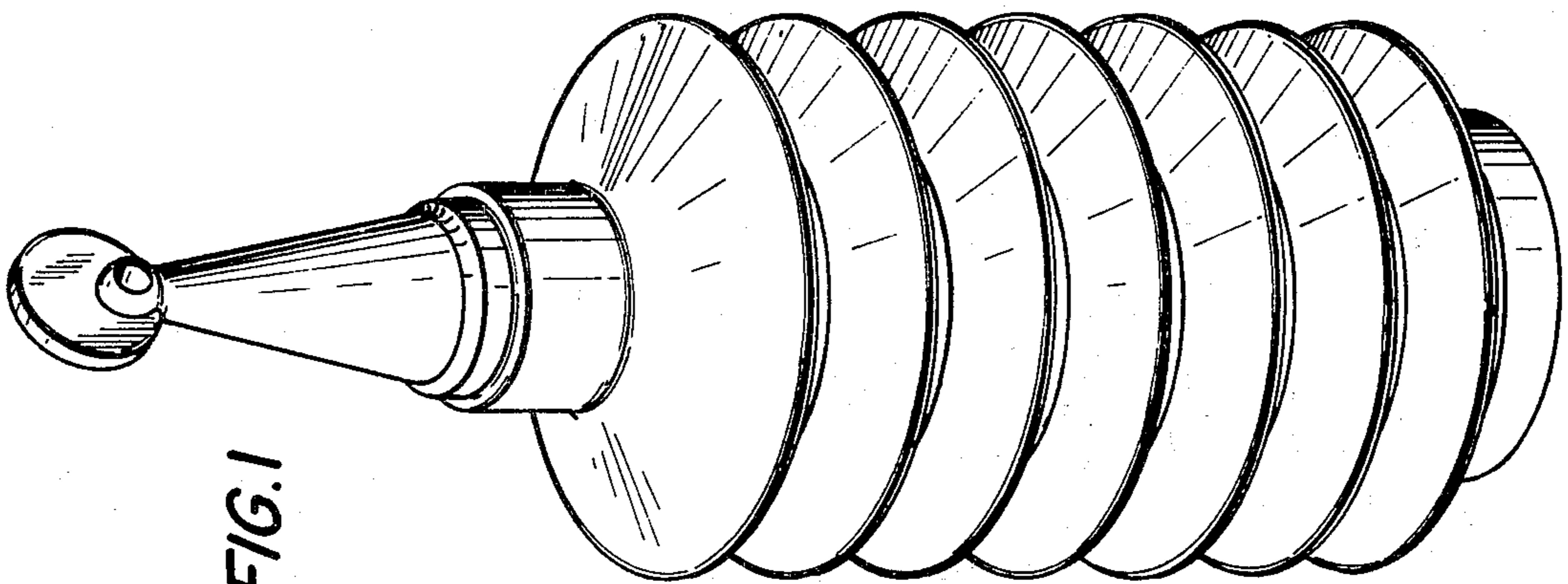


FIG. 1