

[54] KEY FOR DOOR LOCKS

4,176,782-12/1979 Fukuda et al. 70/336

[76] Inventors: William J. Fane, 2851 Trillium Pl., North Vancouver, British Columbia, Canada, V7H 1J3; Leonard J. Genest, 1061 Tropic La., Santa Ana, Calif. 92705

Primary Examiner—Wallace R. Burke
Assistant Examiner—Brian N. Vinson
Attorney, Agent, or Firm—Beehler, Pavitt, Siegemund, Jagger, Martella & Dawes

[**] Term: 14 Years

[57] CLAIM

The ornamental design for a key for door locks, as shown and described.

[21] Appl. No.: 609,897

[22] Filed: May 14, 1984

DESCRIPTION

[52] U.S. Cl. D8/347

FIG. 1 is a top plan view of a key for door locks showing our new design;

[58] Field of Search D8/347-348; 70/336, 344-345, 347, 346, 400-401

FIG. 2 is a right side elevational view;

FIG. 3 is a front elevational view;

FIG. 4 is a rear elevational view thereof;

FIG. 5 is a bottom plan view; and

FIG. 6 is a left side elevational view.

FIG. 7 is a side perspective view.

[56] References Cited

U.S. PATENT DOCUMENTS

- 1,979,798 11/1934 Glidden 70/395
- 3,927,543 12/1975 Anastasov 70/395

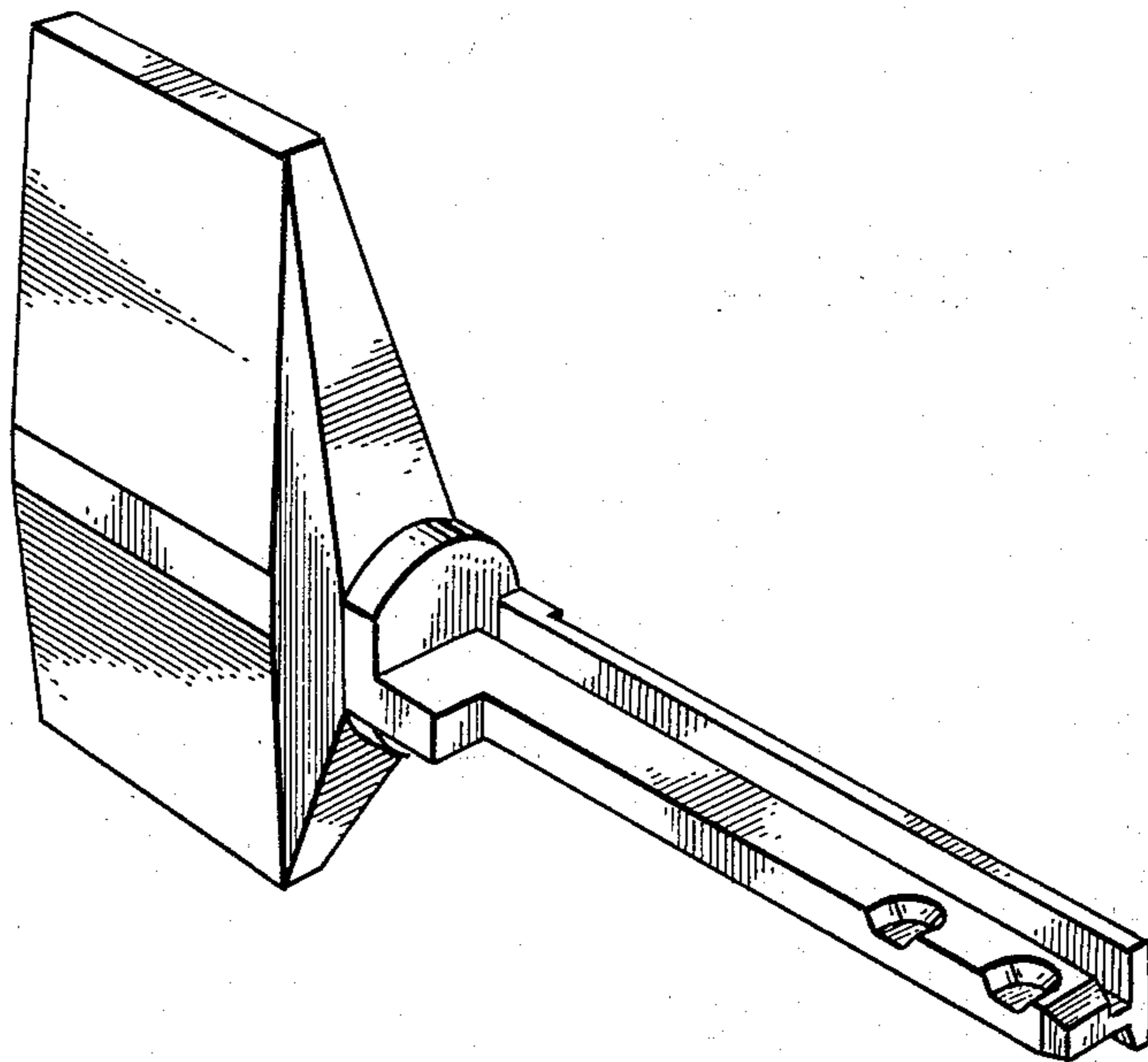


Fig. 1.

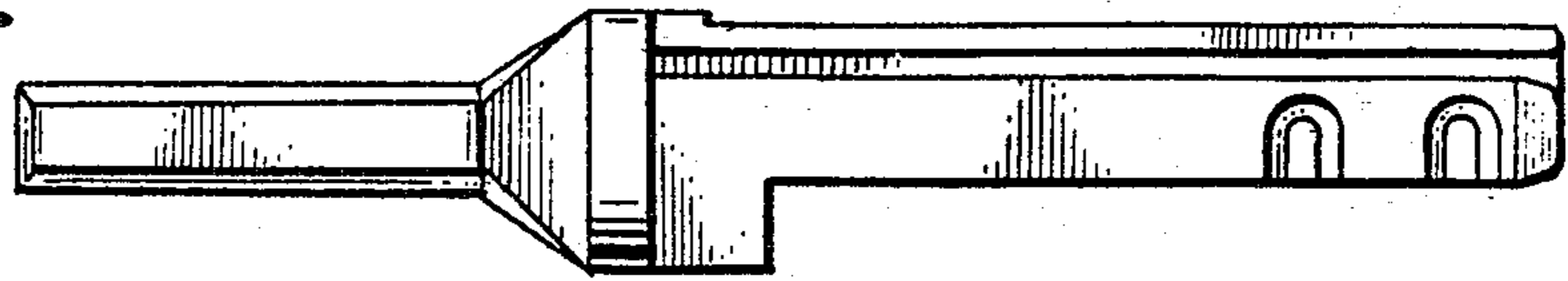


Fig. 3.

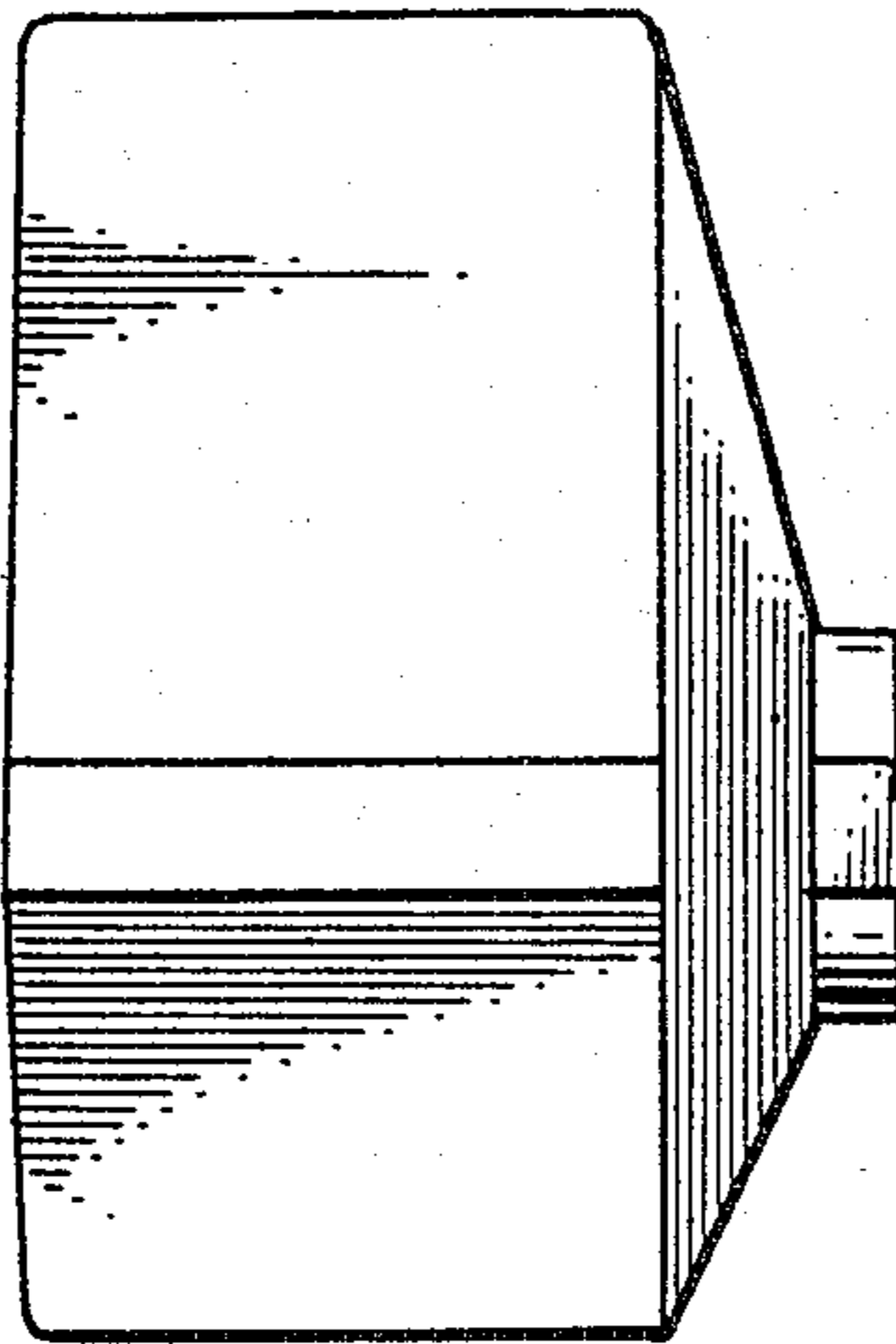
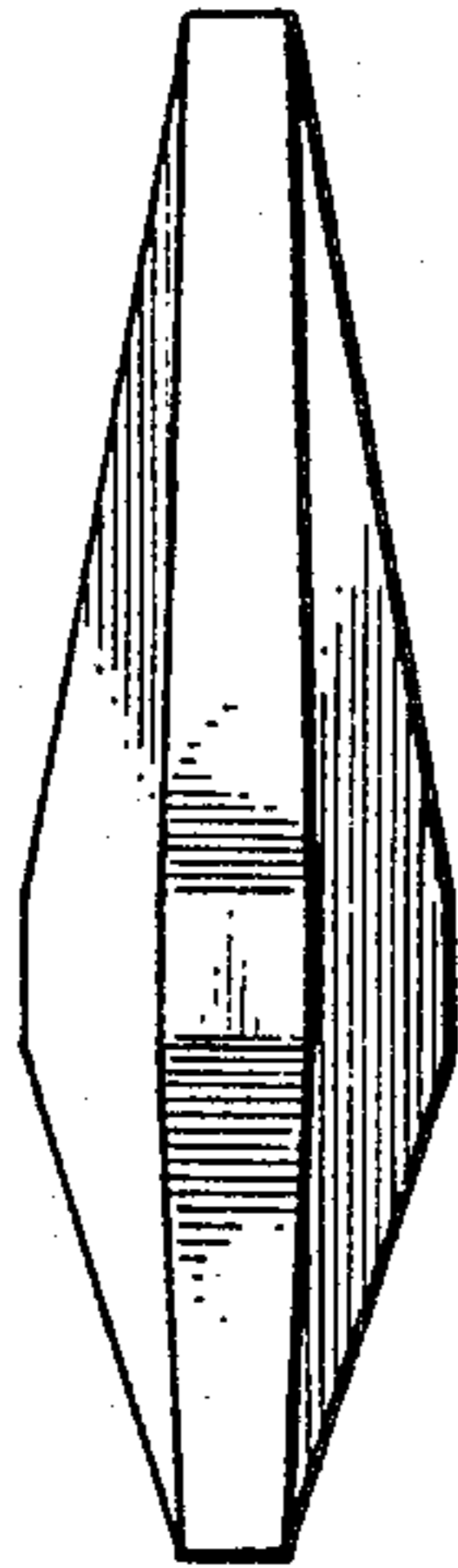


Fig. 2.



Fig. 5.

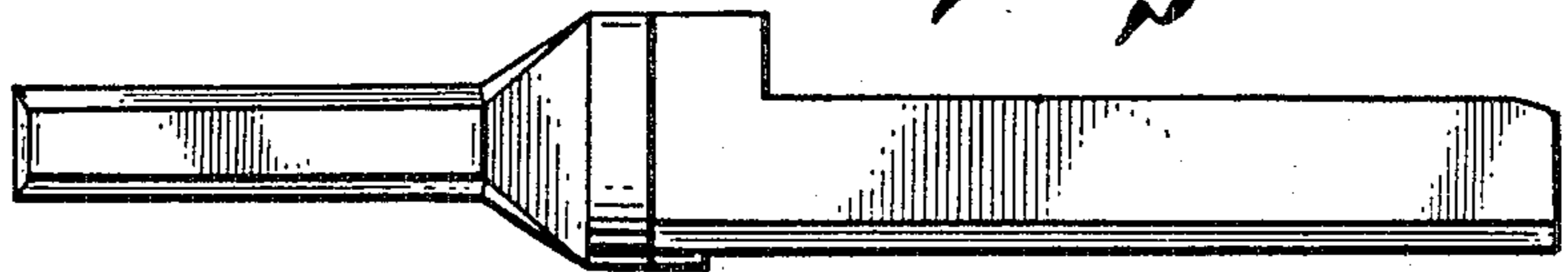


Fig. 4.

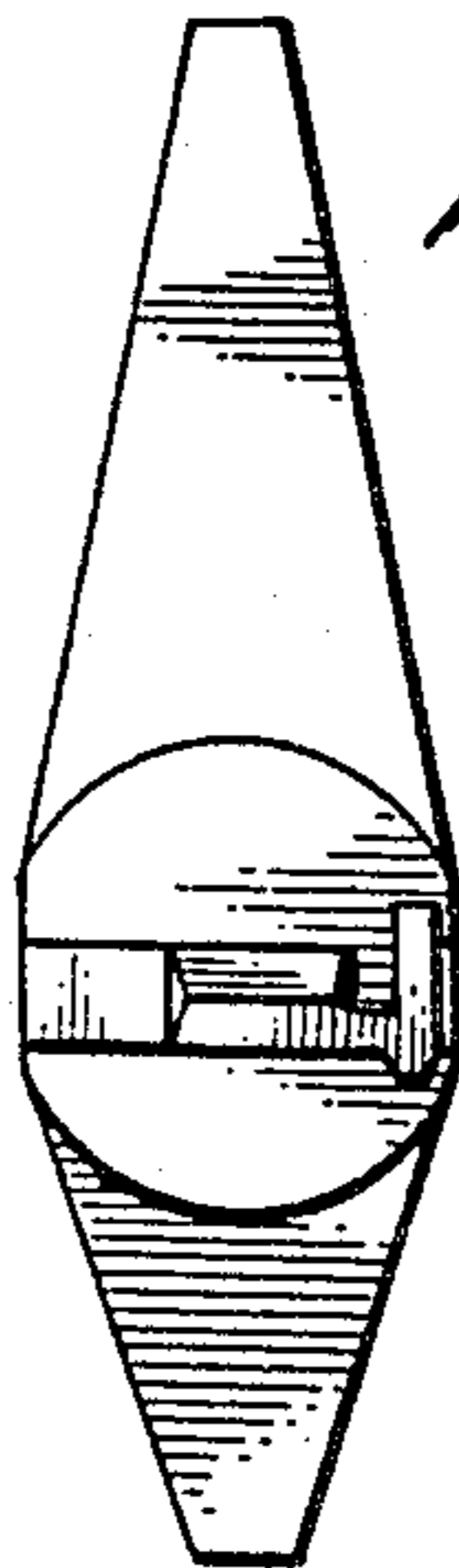


Fig. 6.

