

[54] COMBINED RESTAURANT CONDIMENT, CANDLE HOLDER AND ACCESSORY STAND

[76] Inventor: Lera M. Jones, 659 E. 11th St., Bowling Green, Ky. 42101

[\*\*] Term: 14 Years

[21] Appl. No.: 574,625

[22] Filed: Jan. 27, 1984

[52] U.S. Cl. .... D7/52

[58] Field of Search ..... D7/52; D20/10, 19, 21; D19/75, 76; 40/1, 119, 530

[56] References Cited

U.S. PATENT DOCUMENTS

D. 170,650	10/1953	McNine	.....	D7/52
D. 195,270	5/1963	Gant	.....	D7/52
D. 231,494	4/1974	Mandala	.....	D19/76
823,291	6/1906	Quensel	.....	40/530 X

3,218,743 11/1965 Schneider ..... 40/530 X

Primary Examiner—Bernard Ansher  
Assistant Examiner—Terry Pfeffer  
Attorney, Agent, or Firm—Harvey B. Jacobson

[57] CLAIM

The ornamental design for a combined restaurant condiment, candle holder and accessory stand, as shown and described.

DESCRIPTION

FIG. 1 is a top plan view of a combined restaurant condiment, candle holder and accessory stand showing my new design;

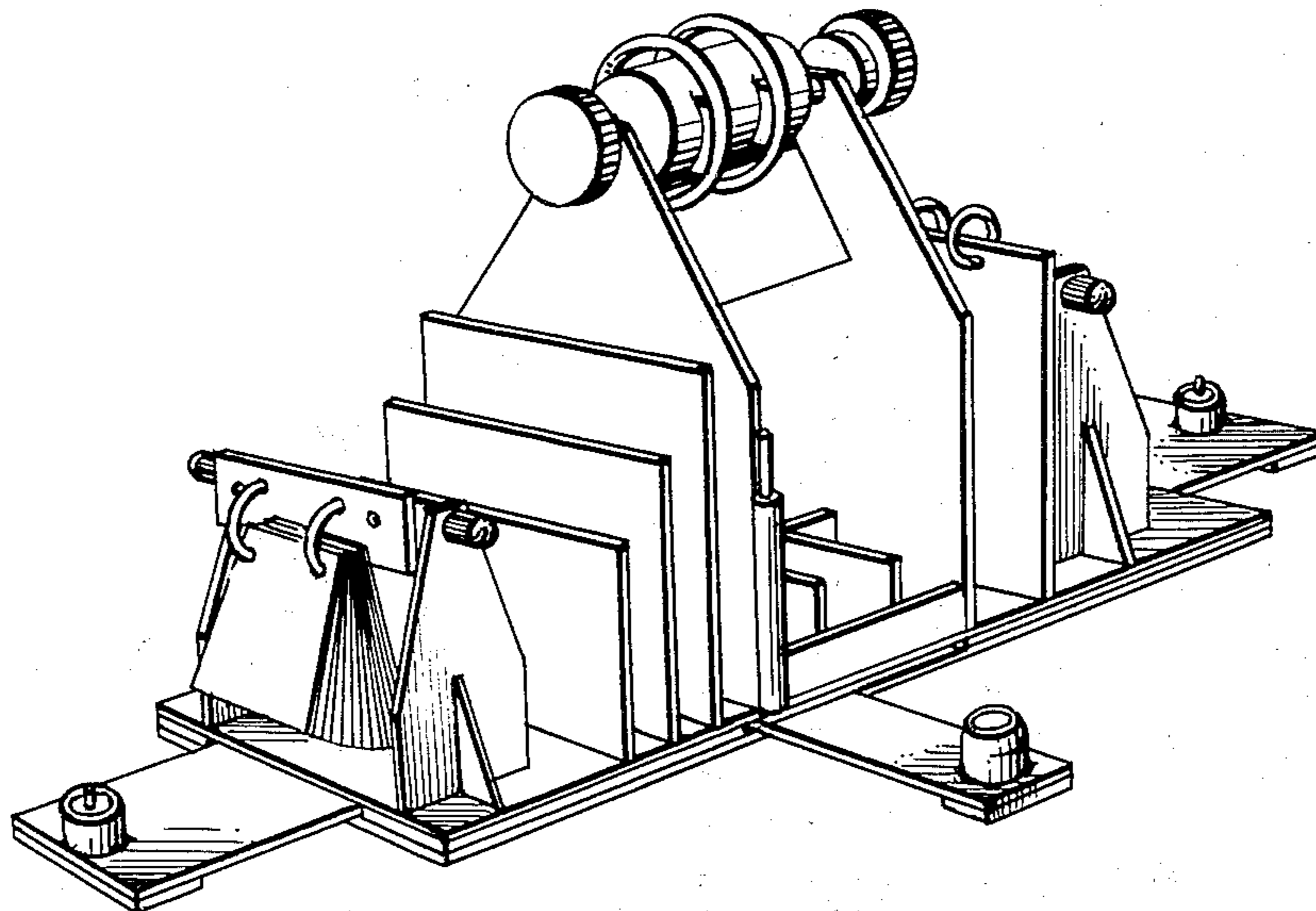
FIG. 2 is a front elevational view thereof;

FIG. 3 is a left side elevational view thereof;

FIG. 4 is a right side elevational view thereof; and

FIG. 5 is a perspective view thereof.

The rear side of the combined restaurant condiment, candle holder and accessory stand is a substantial mirror image of FIG. 2.



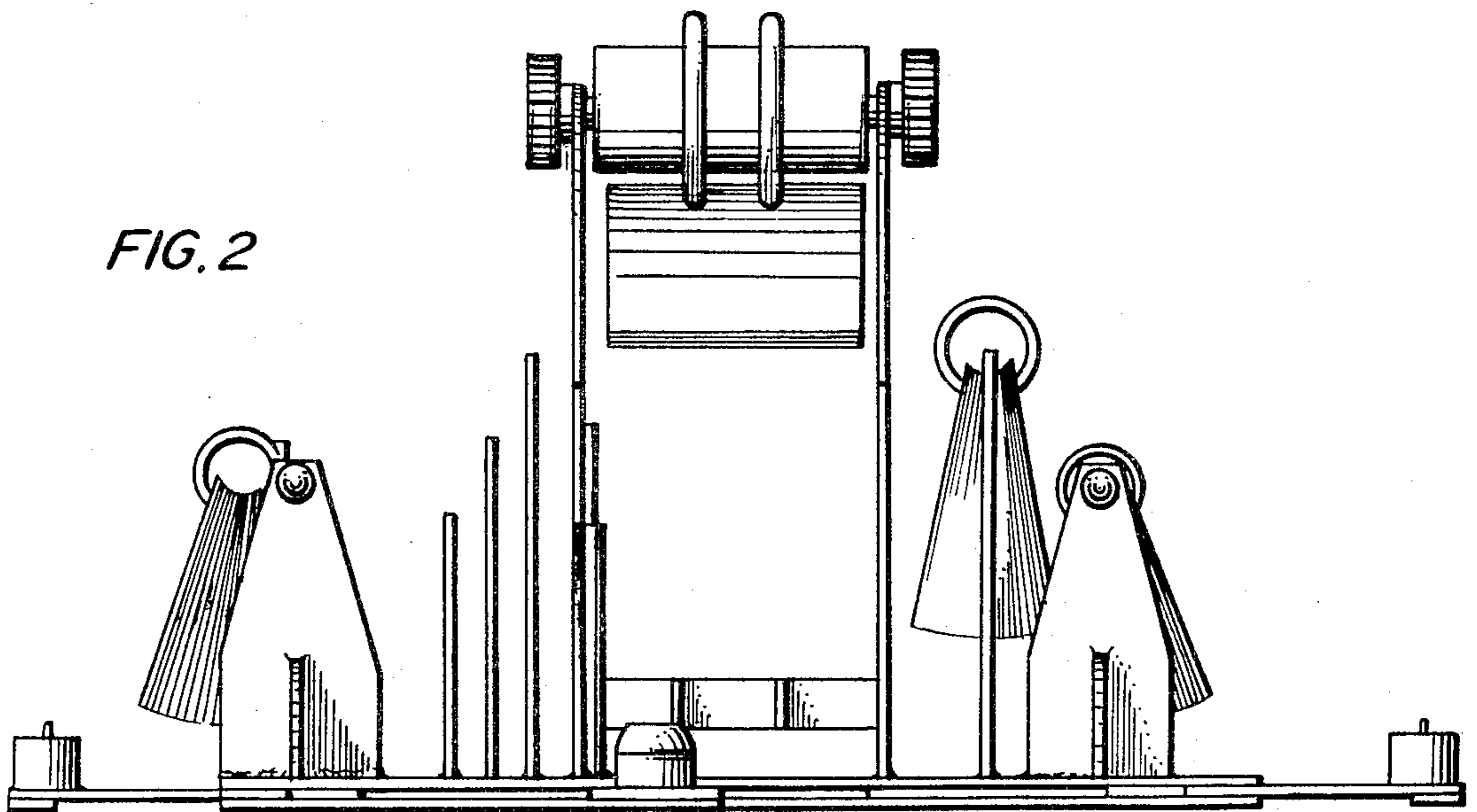
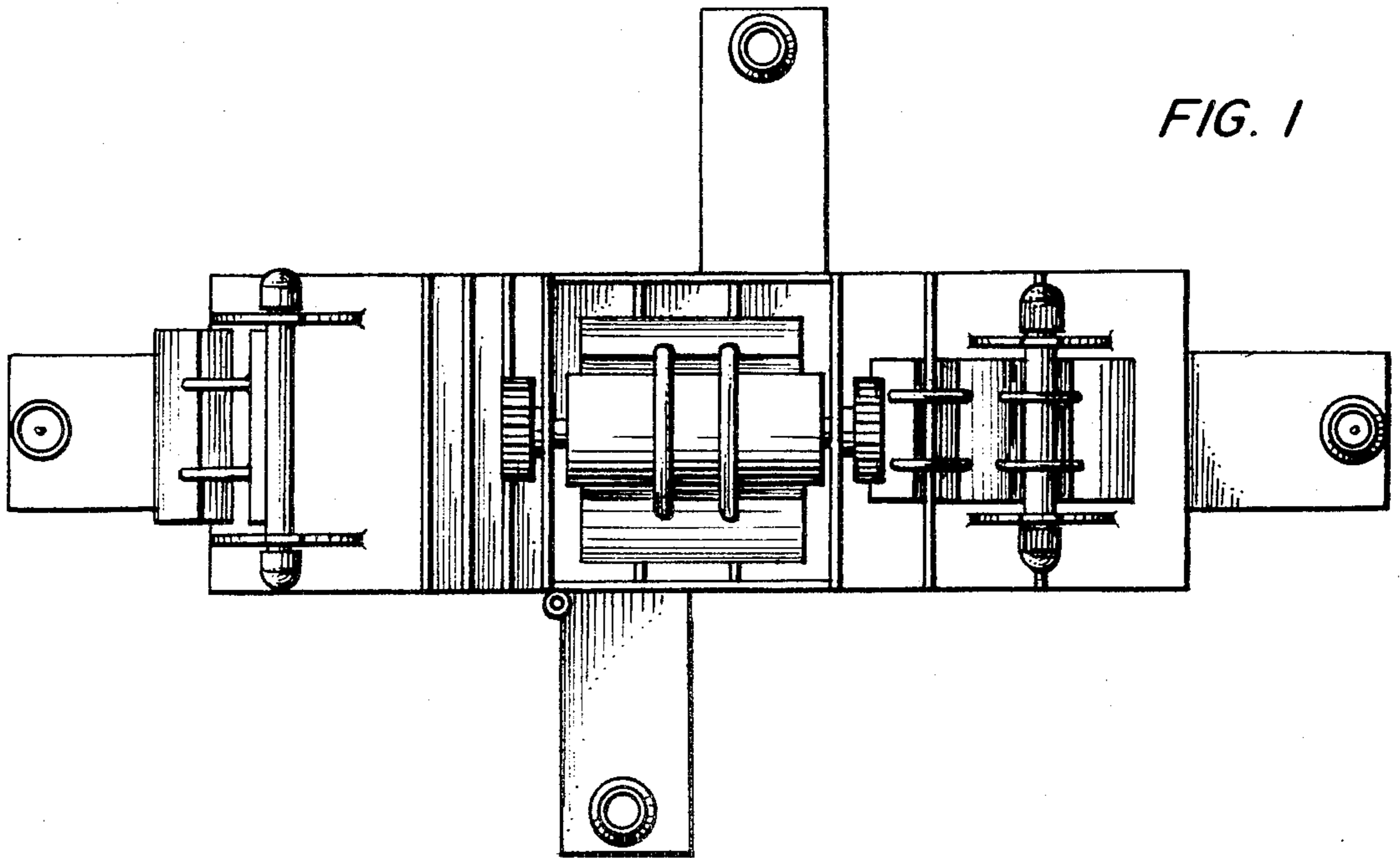


FIG. 3

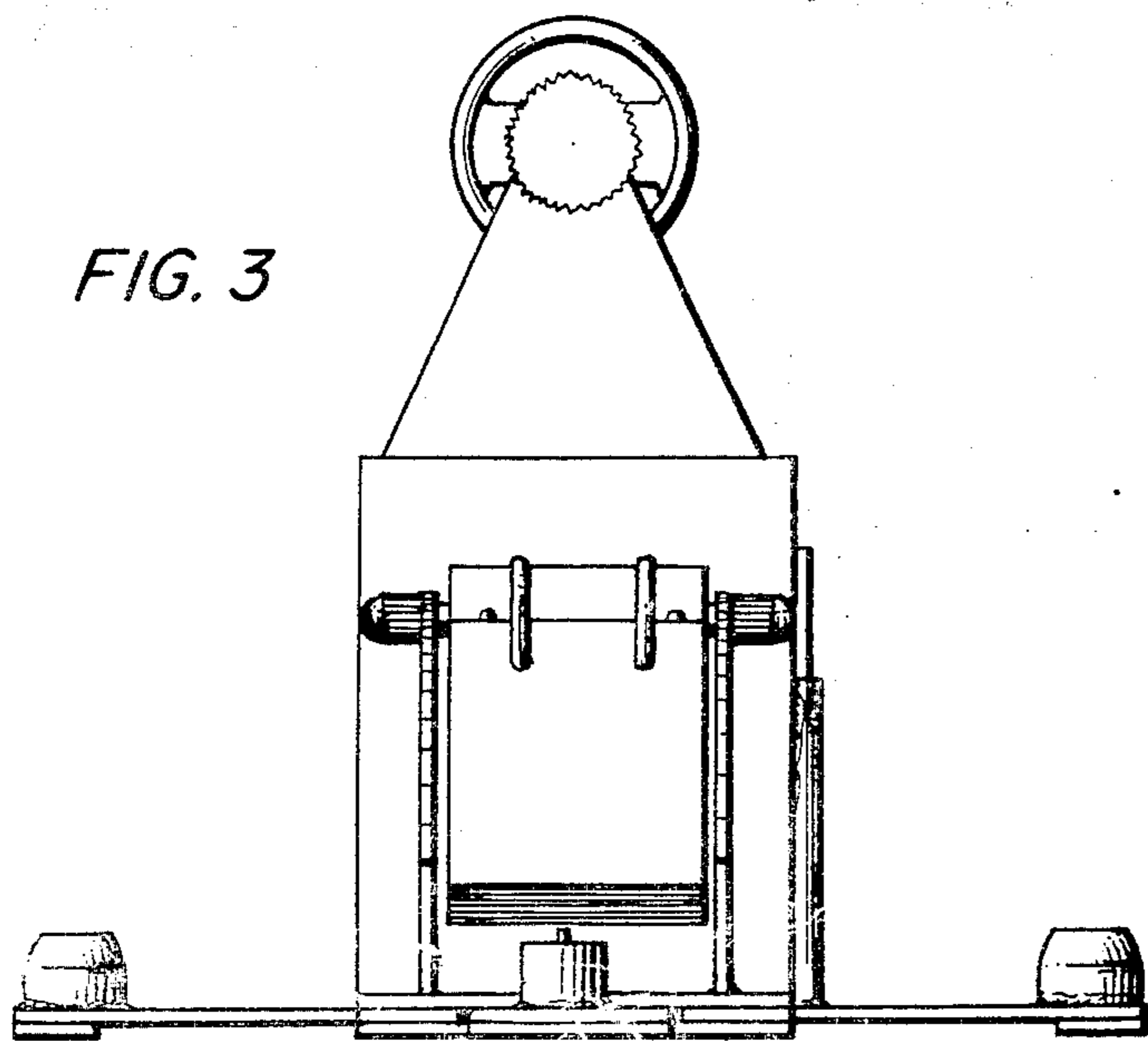


FIG. 4

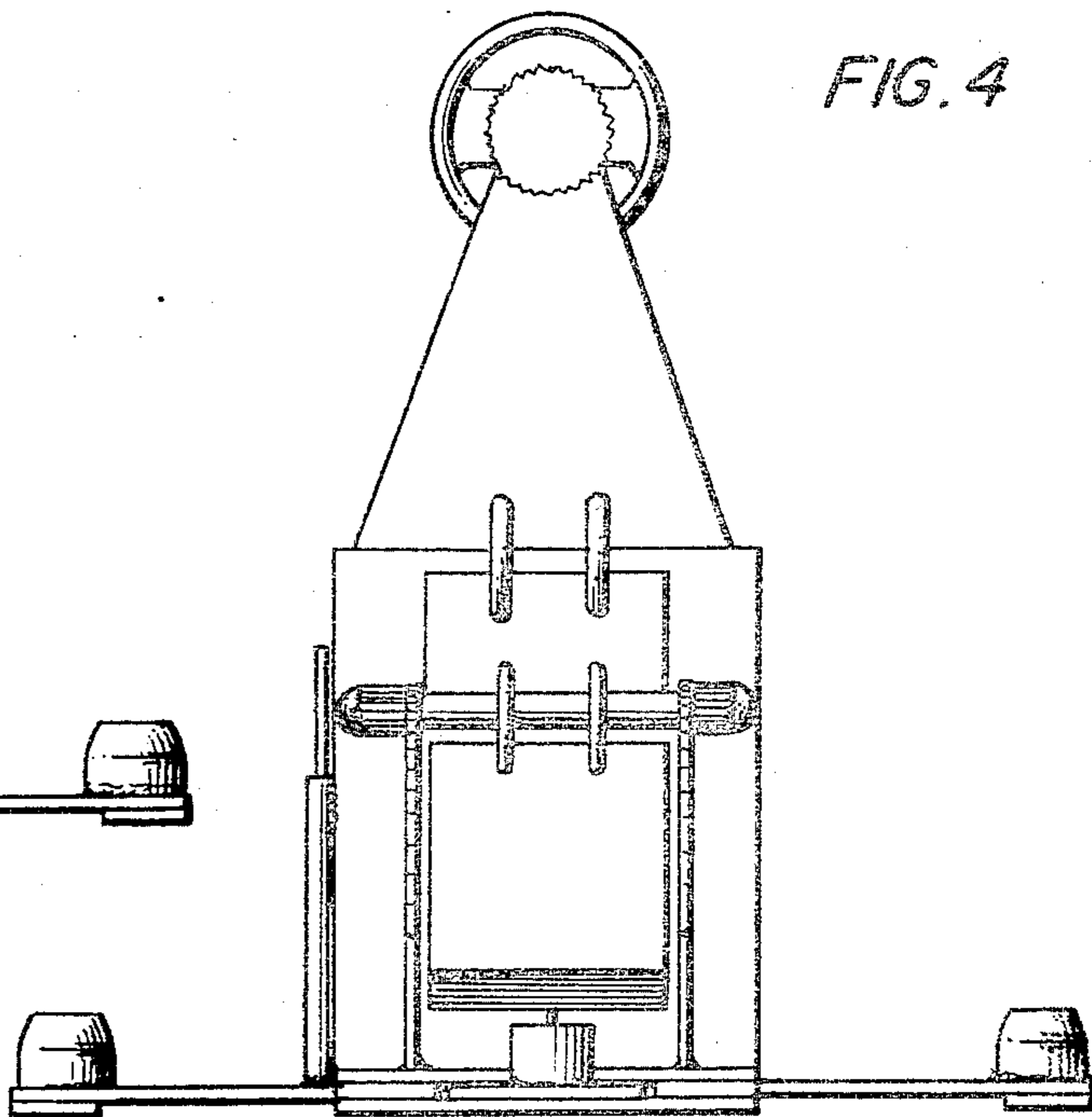


FIG. 5

