

- [54] BOWL
- [75] Inventors: Robert H. C. M. Daenen, Hekelgem; Victor J. J. Cautereels, Zandhoven, both of Belgium
- [73] Assignee: Dart Industries Inc., Northbrook, Ill.
- [\*] Notice: The portion of the term of this patent subsequent to Nov. 18, 2000 has been disclaimed.
- [\*\*] Term: 14 Years
- [21] Appl. No.: 594,595
- [22] Filed: Mar. 29, 1984
- [52] U.S. Cl. .... D7/23; D9/418
- [58] Field of Search ..... D7/23, 1, 17, 16, 3, D7/79, 77, 81; D9/418, 428

[56] **References Cited**  
**U.S. PATENT DOCUMENTS**

D. 30,087	1/1899	Kremer	.....	D7/23 X
D. 243,912	4/1977	Daenen	.....	D7/23
D. 259,625	6/1981	Hamilton et al.	.....	D9/428
D. 276,401	11/1984	Daenen et al.	.....	D7/79
D. 276,402	11/1984	Daenen et al.	.....	D7/79
D. 280,281	8/1985	Conti et al.	.....	D7/79

**OTHER PUBLICATIONS**

*Better Homes & Gardens*, Sep. 1972, p. 124, Rubbermaid Food Keepers, Uncovered Bowl at top.

*Primary Examiner*—Winifred E. Herrmann

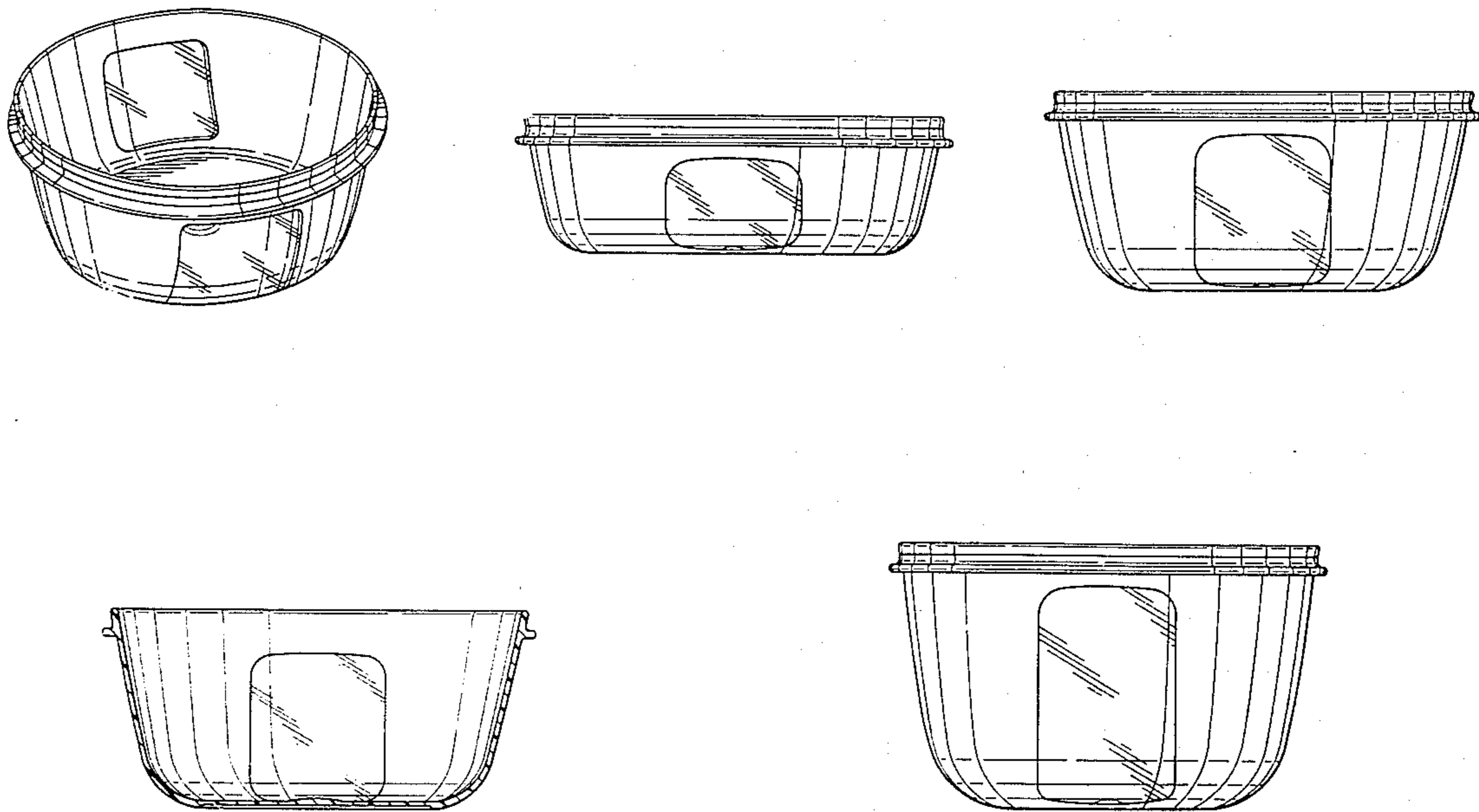
*Attorney, Agent, or Firm*—A. Lewis Worthem, Jr.; John A. Doninger

[57] **CLAIM**

The ornamental design for a bowl, as shown and described.

**DESCRIPTION**

FIG. 1 is a top perspective view of a bowl showing our new design;  
 FIG. 2 is a top plan view thereof;  
 FIG. 3 is a front or rear elevational view thereof;  
 FIG. 4 is a left or right side elevational view thereof;  
 FIG. 5 is a bottom plan view thereof;  
 FIG. 6 is a top perspective view of a second embodiment of our new design for a bowl;  
 FIG. 7 is a front or rear elevational view of the bowl of FIG. 6;  
 FIG. 8 is a bottom plan view of the bowl of FIG. 6;  
 FIG. 9 is a top perspective view of a third embodiment of our new design for a bowl;  
 FIG. 10 is a front or rear elevational view of the bowl of FIG. 9;  
 FIG. 11 is a bottom plan view of the bowl of FIG. 9; and  
 FIG. 12 is a sectional view taken on line 12—12 of FIG. 2.  
 The top plan view of the bowl of FIG. 6 and FIG. 9 is substantially similar to the top plan view of FIG. 2. The material of the bowl is translucent with transparent generally rectangular panels indicated by the shaded portions in the drawing.



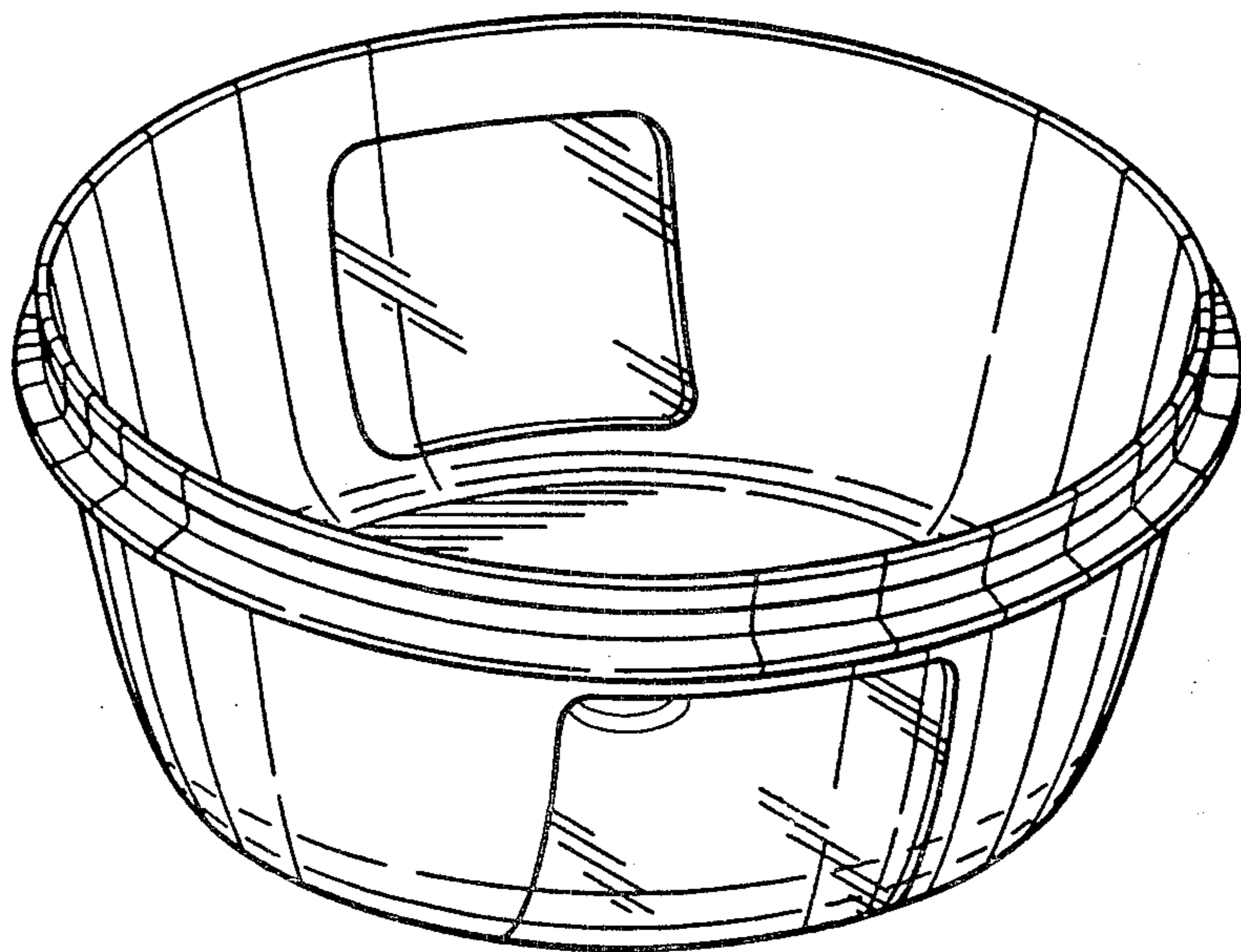


FIG. 1

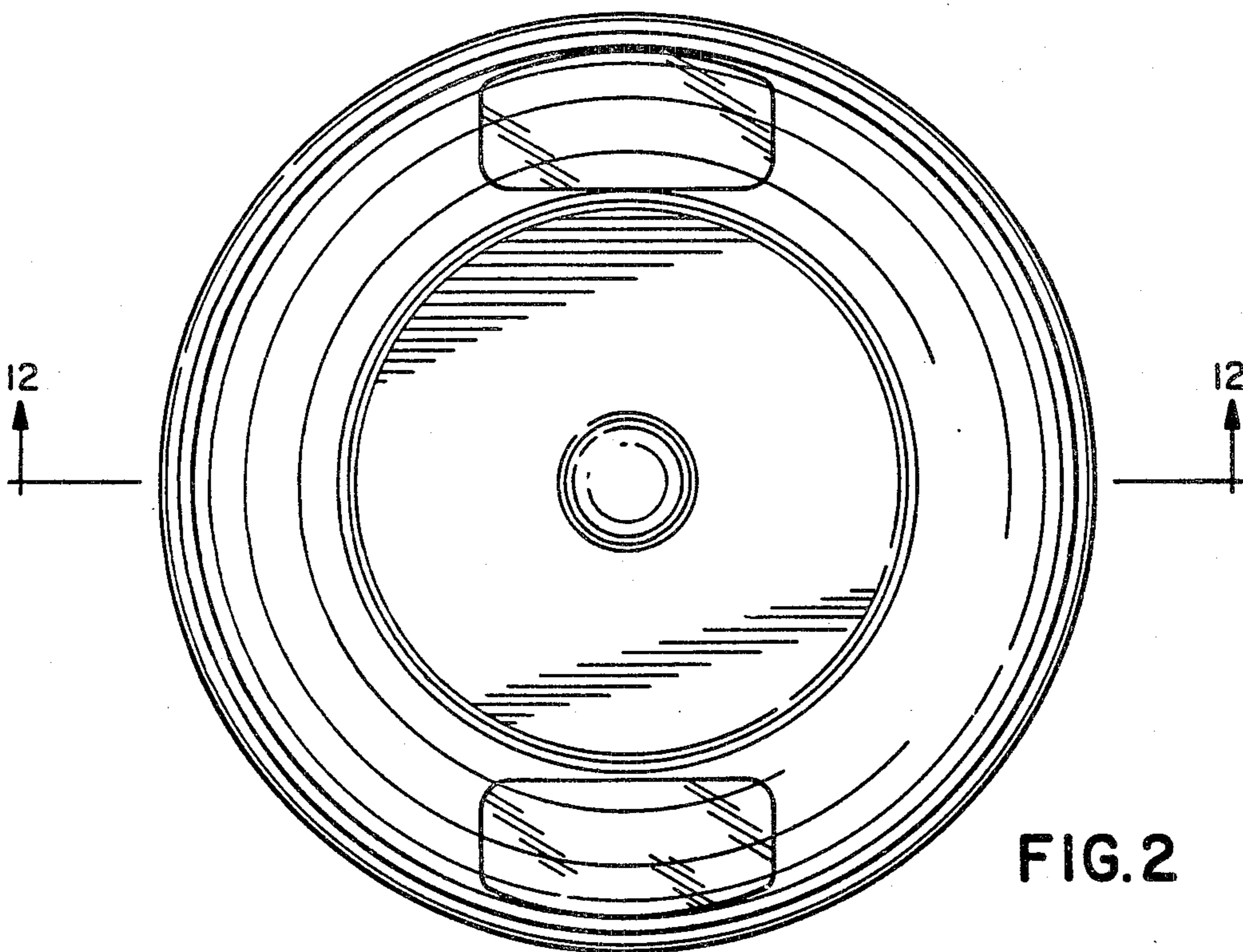


FIG. 2

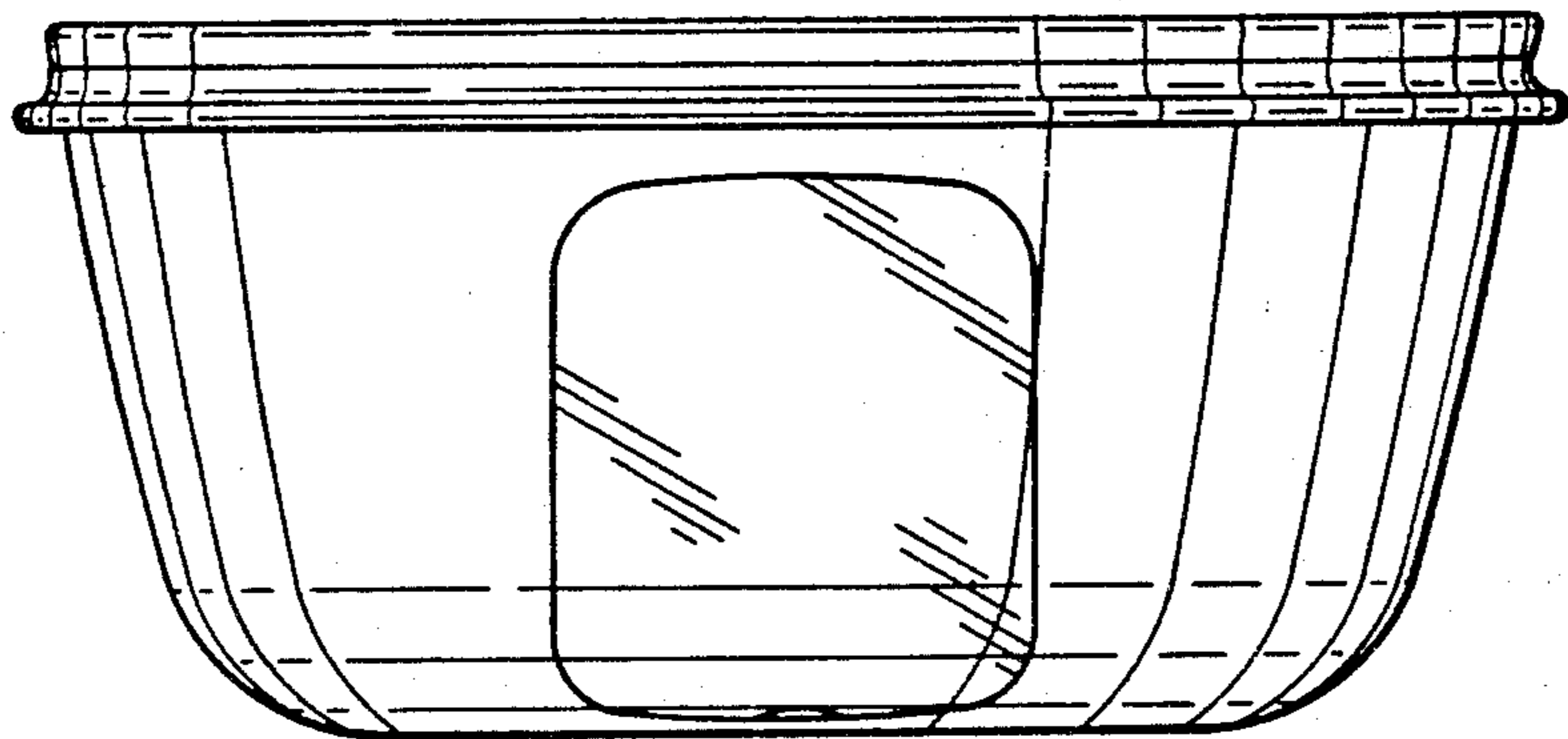


FIG. 3

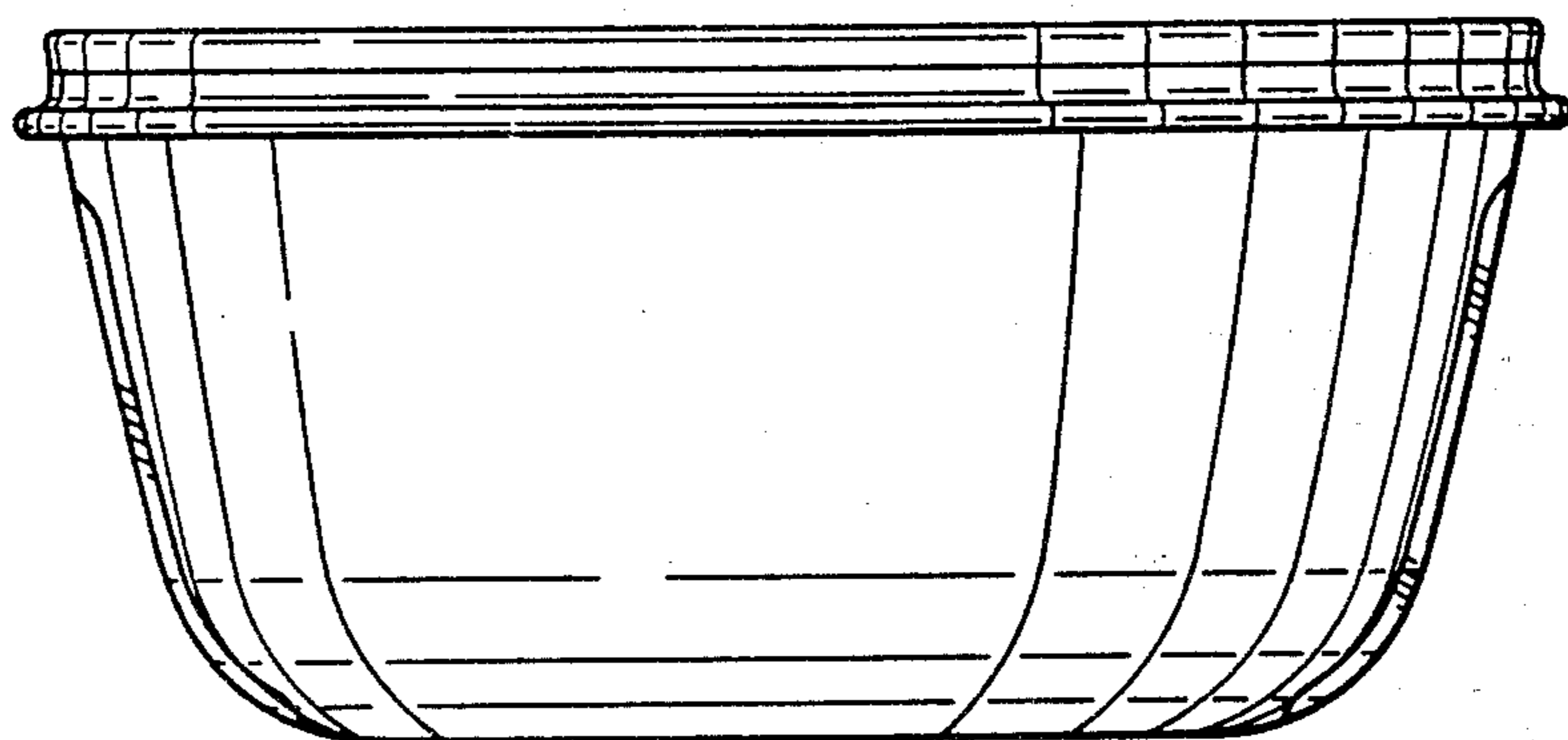


FIG. 4

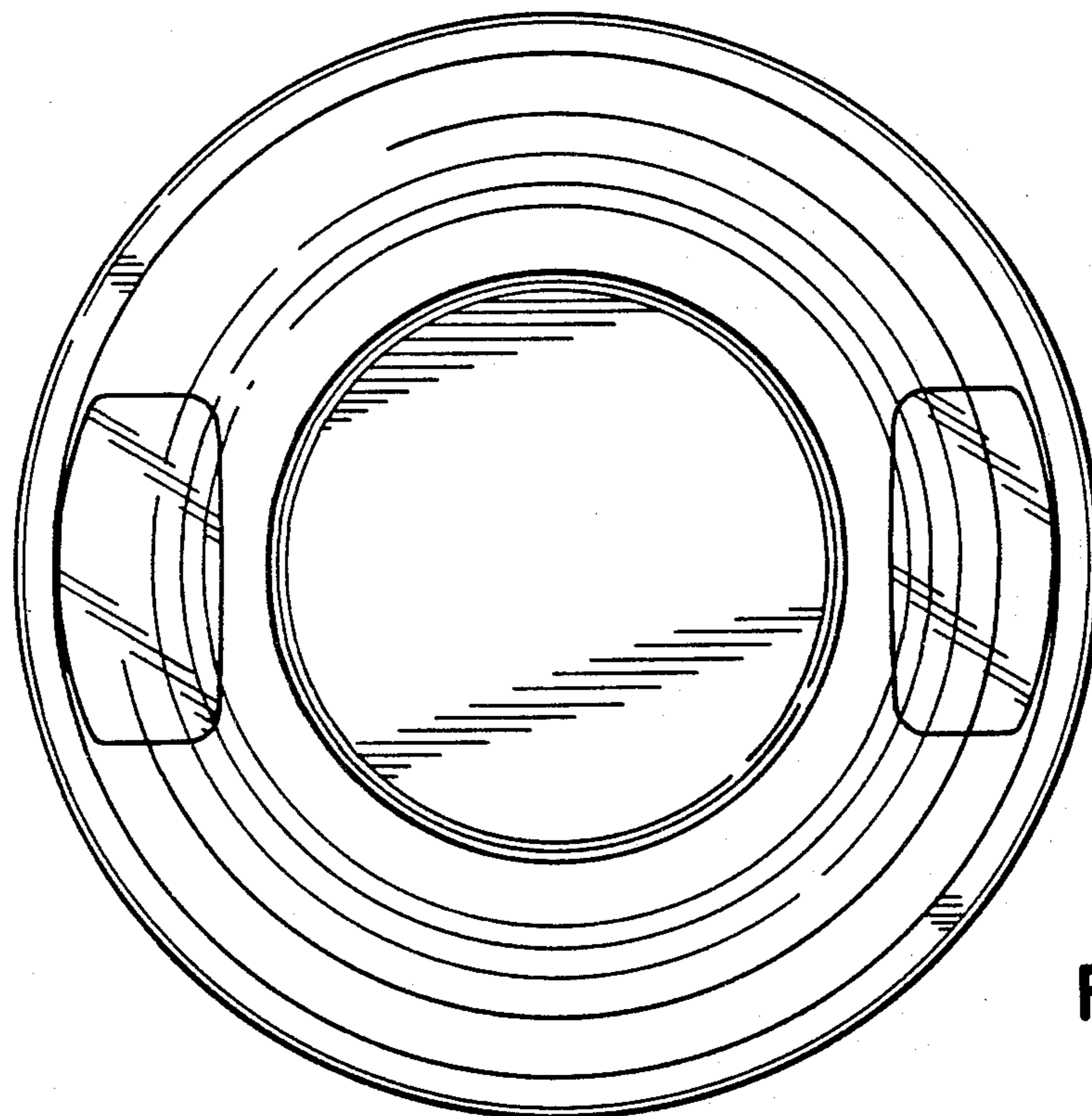


FIG. 5

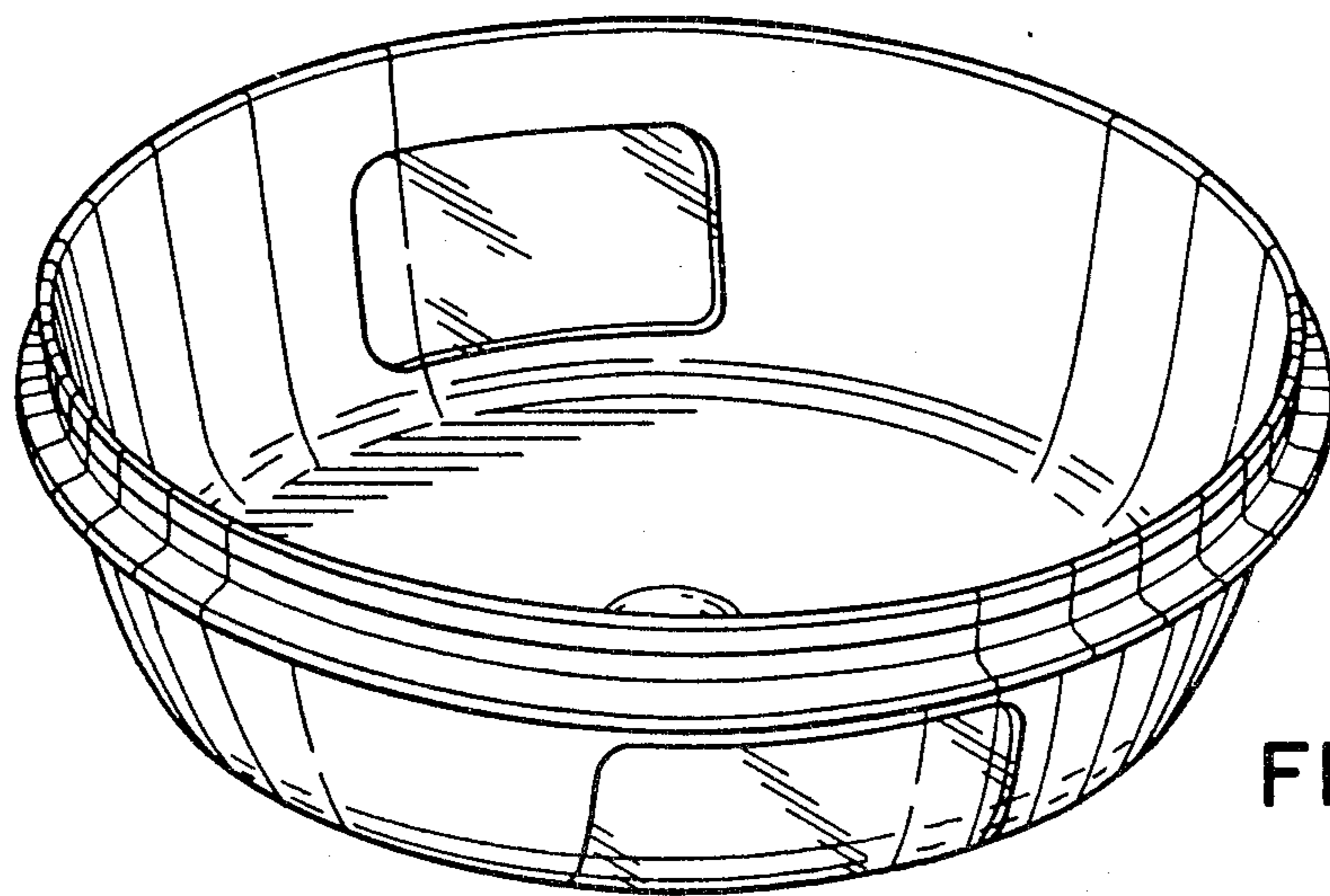


FIG. 6

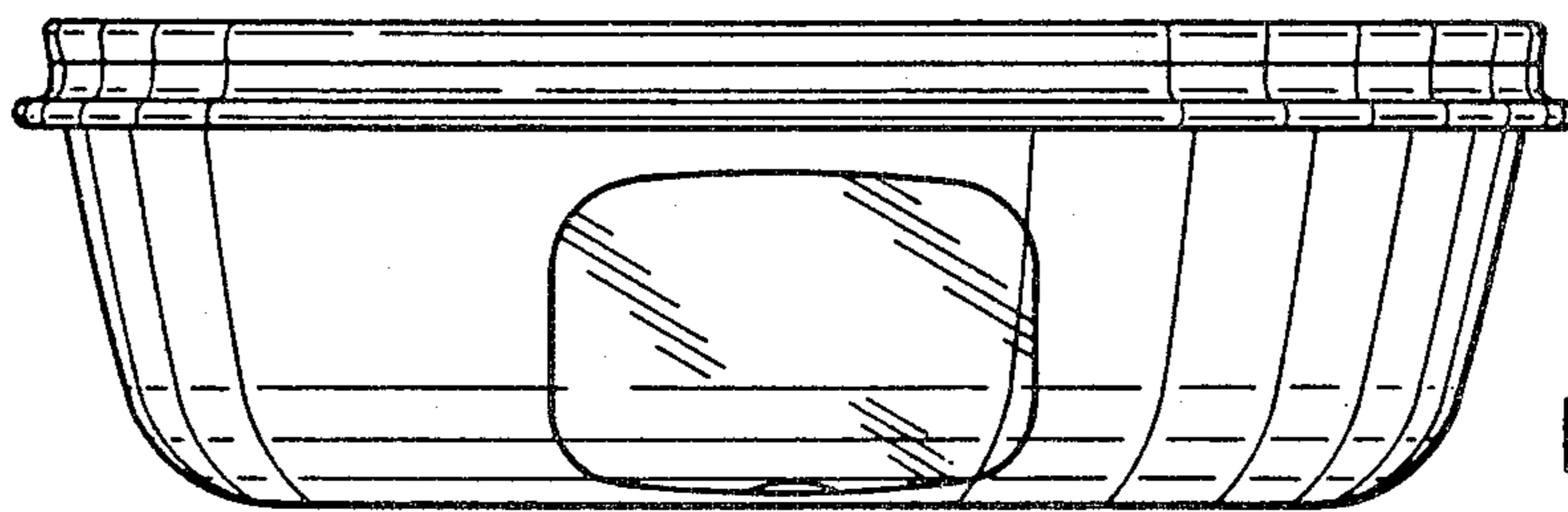


FIG. 7

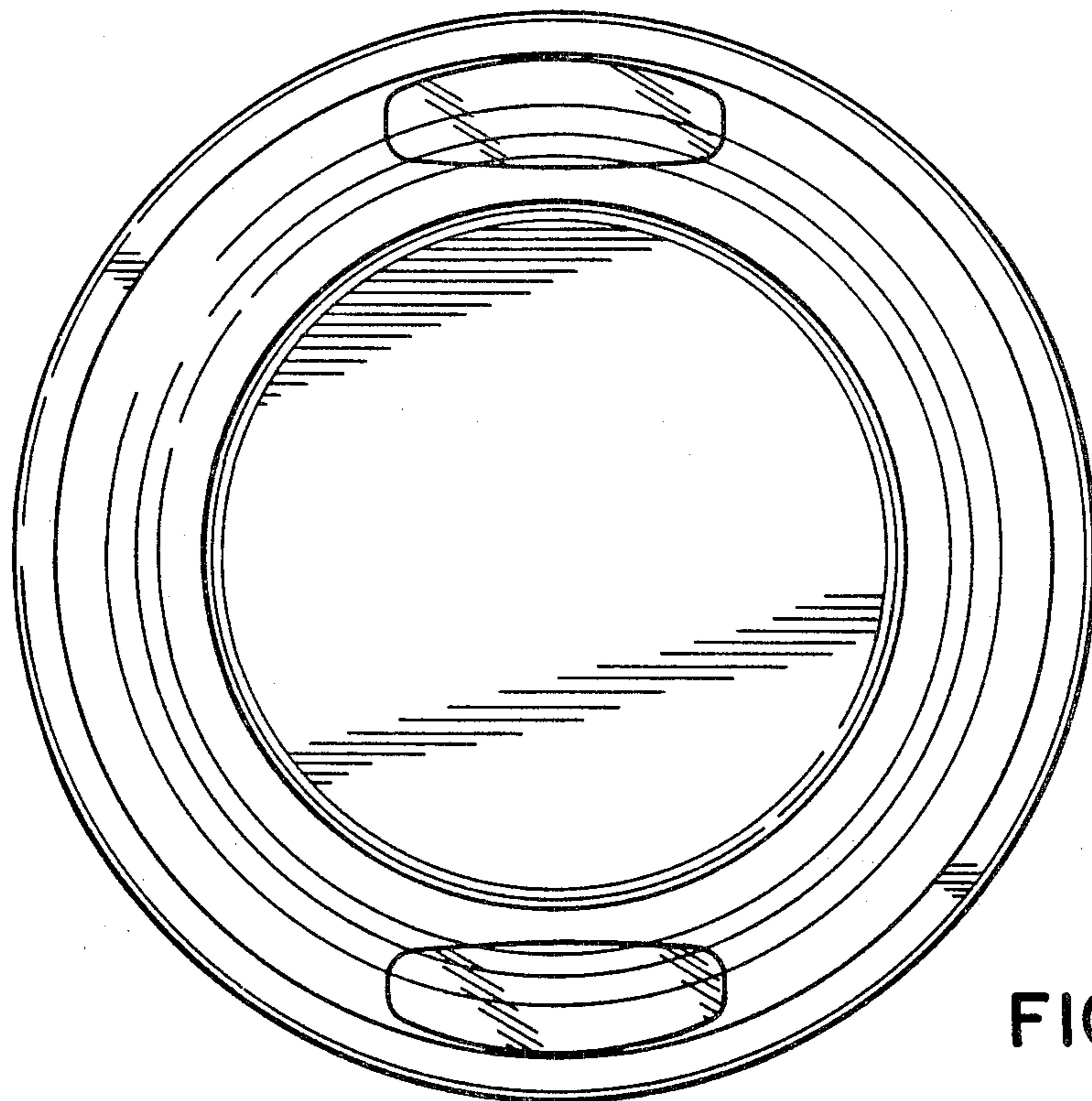


FIG. 8

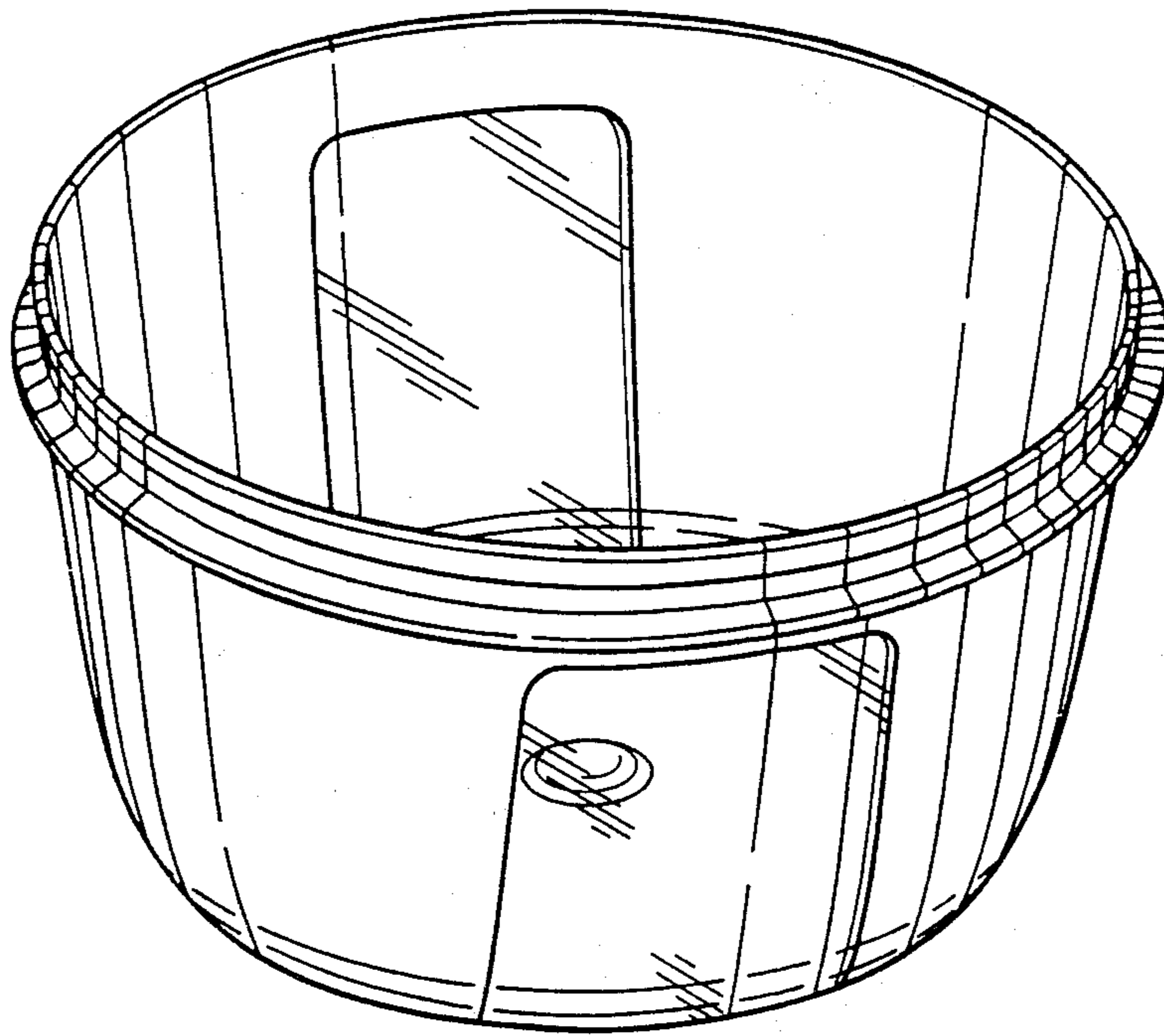


FIG. 9

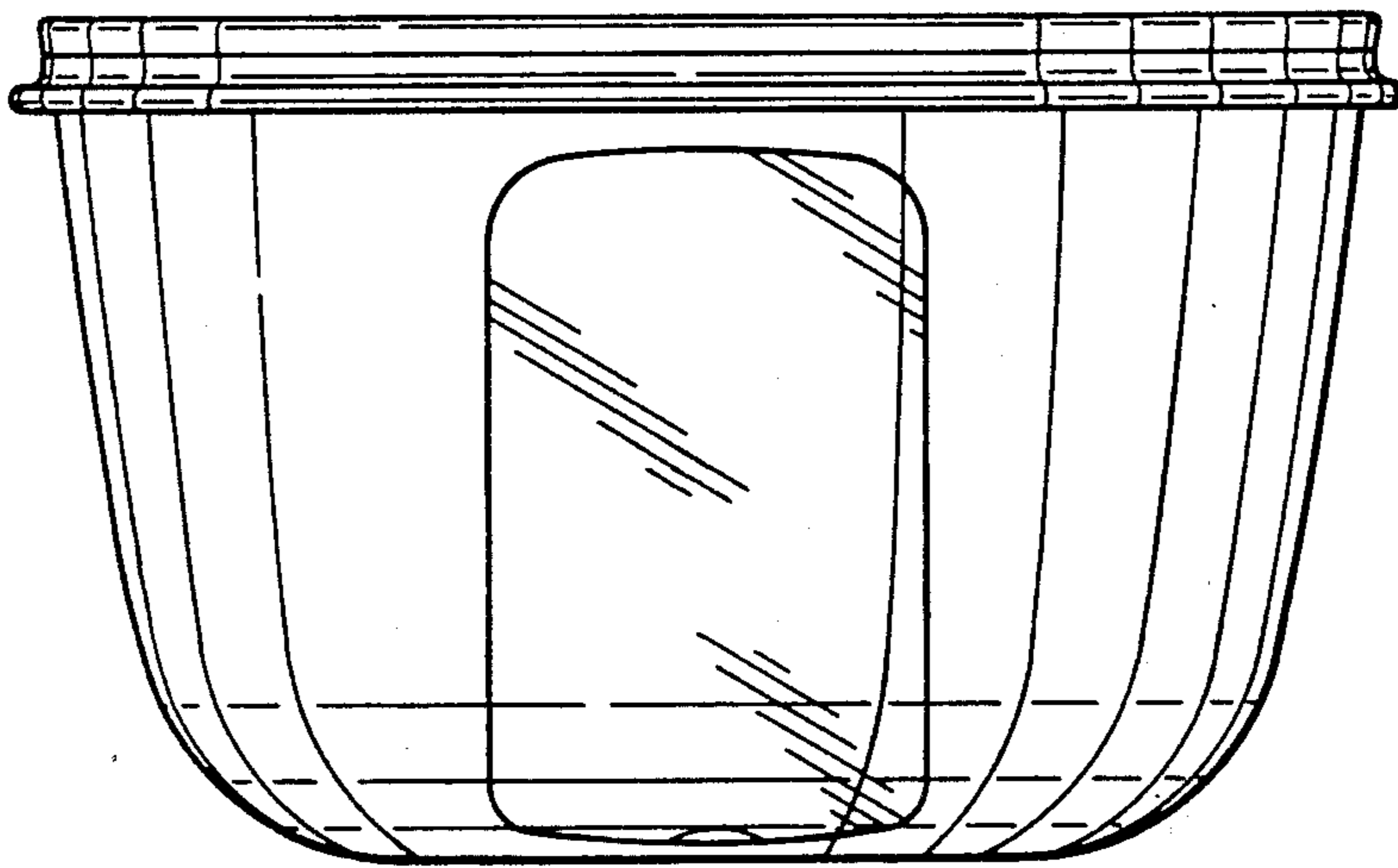


FIG. 10

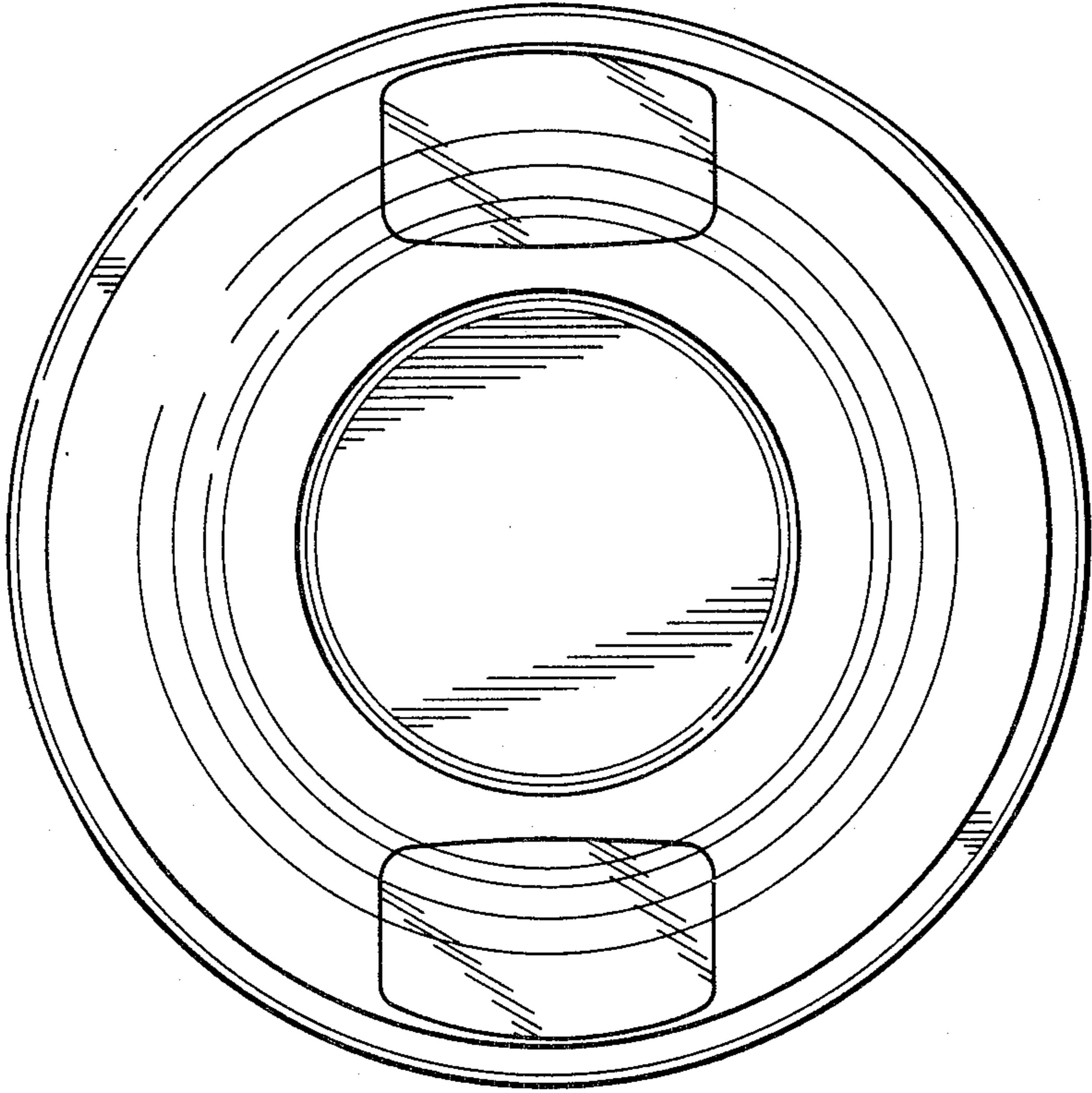


FIG. 11

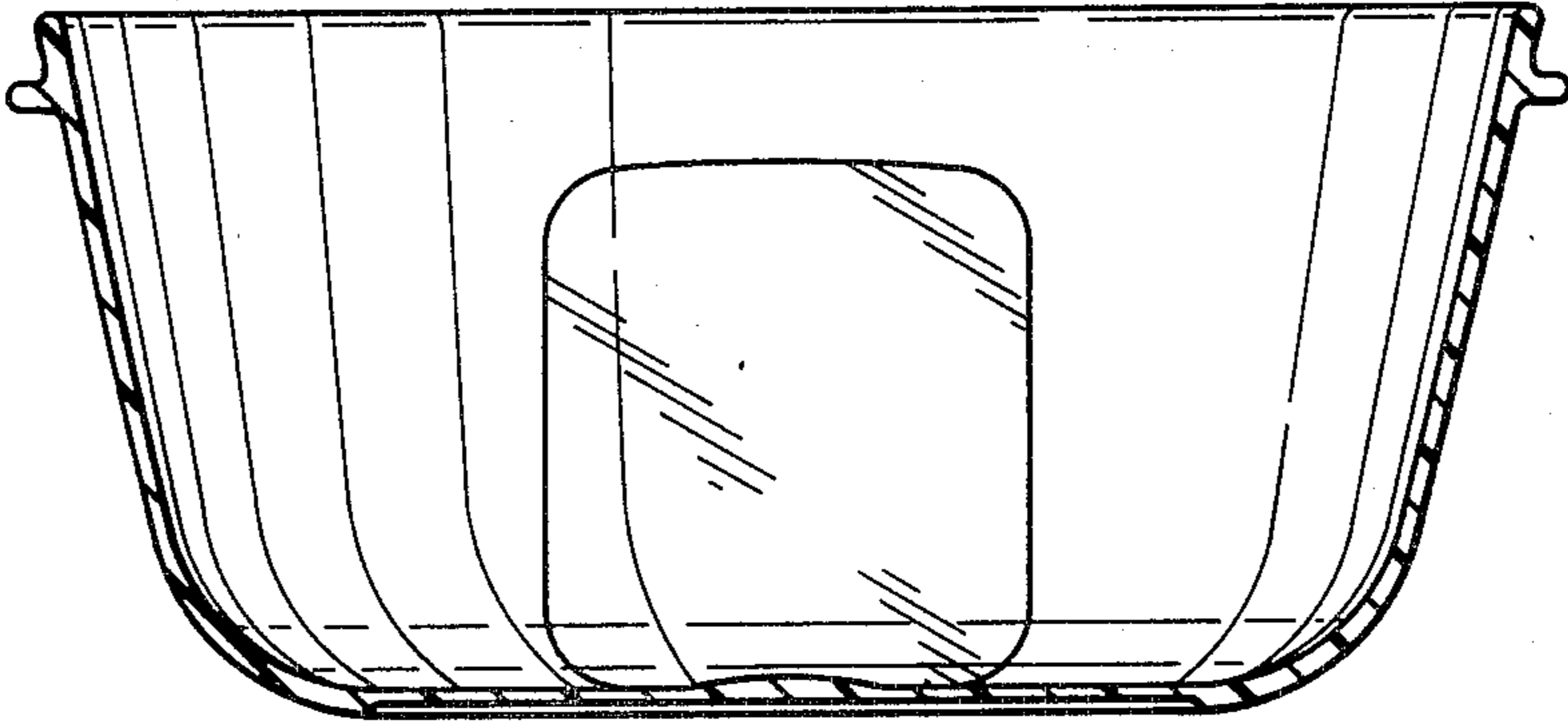


FIG. 12