

[54] TOWEL BAR

[75] Inventor: Martin P. Belokin, Denton, Tex.

[73] Assignee: Martin Paul, Inc., Denton, Tex.

[**] Term: 14 Years

[21] Appl. No.: 656,250

[22] Filed: Oct. 1, 1984

[52] U.S. Cl. D6/546

[58] Field of Search D6/512, 524, 546, 549, D6/550, 574; 211/16, 87, 88, 105.1, 123; 248/251, 315

[56] References Cited

U.S. PATENT DOCUMENTS

- D. 256,746 9/1980 Loeson D6/574
- D. 266,808 11/1982 Thompson D6/549
- D. 267,840 2/1983 Cohen D6/549
- D. 272,590 2/1984 Shames et al. D6/546

D. 276,387 11/1984 Conti D6/546

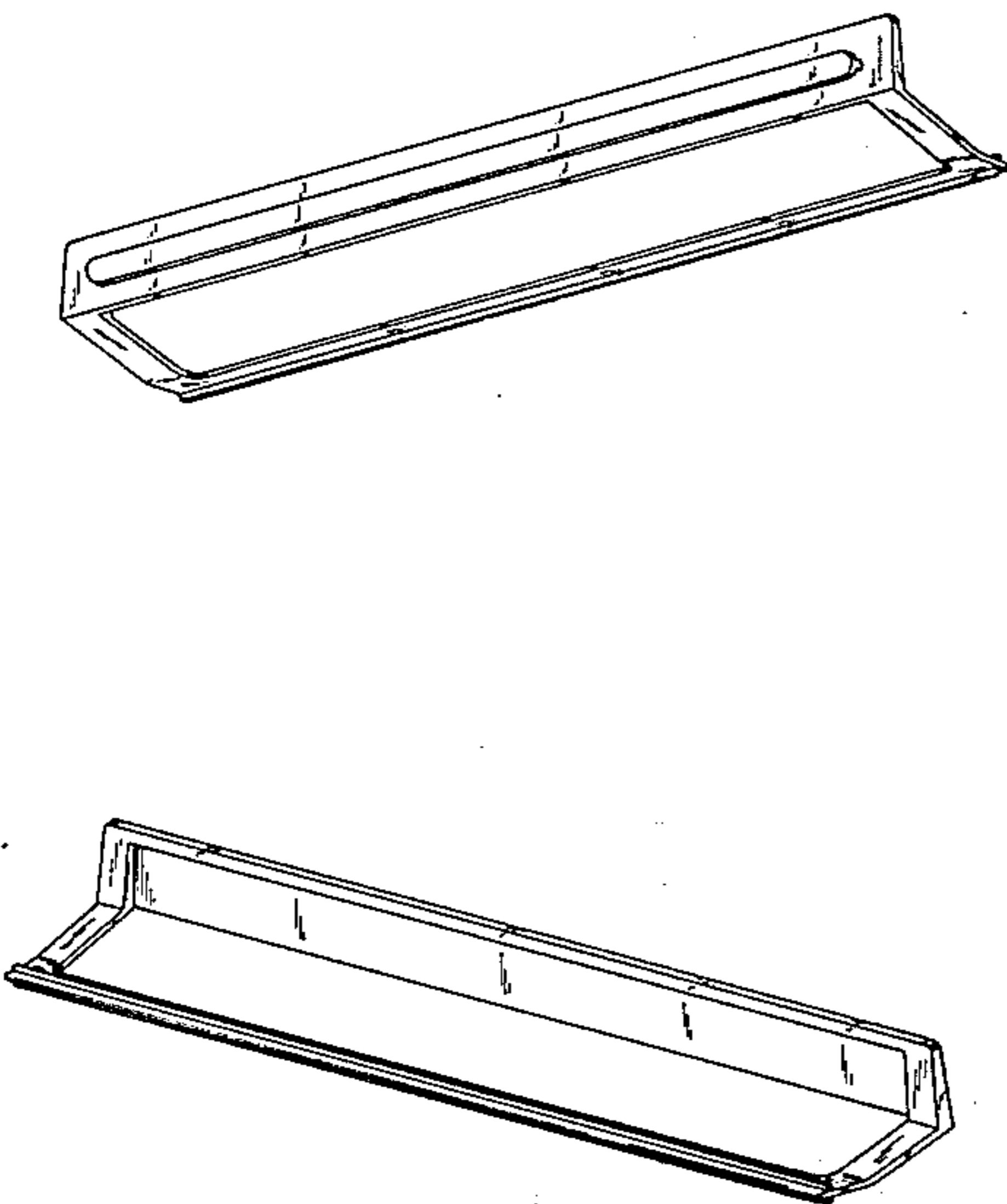
Primary Examiner—Wallace R. Burke
Assistant Examiner—Suzanne N. Gitlin
Attorney, Agent, or Firm—James E. Nilles

[57] CLAIM

The ornamental design for towel bar, as shown and described.

DESCRIPTION

FIG. 1 is a rear and bottom perspective view of a towel bar showing my new design;
FIG. 2 is a front and top perspective view thereof;
FIG. 3 is an enlarged inverted rear elevational view thereof;
FIG. 4 is an enlarged top plan view thereof;
FIG. 5 is an enlarged front elevational view thereof;
FIG. 6 is an enlarged bottom plan view thereof;
FIG. 7 is an enlarged side elevational view taken from the right of FIG. 1.



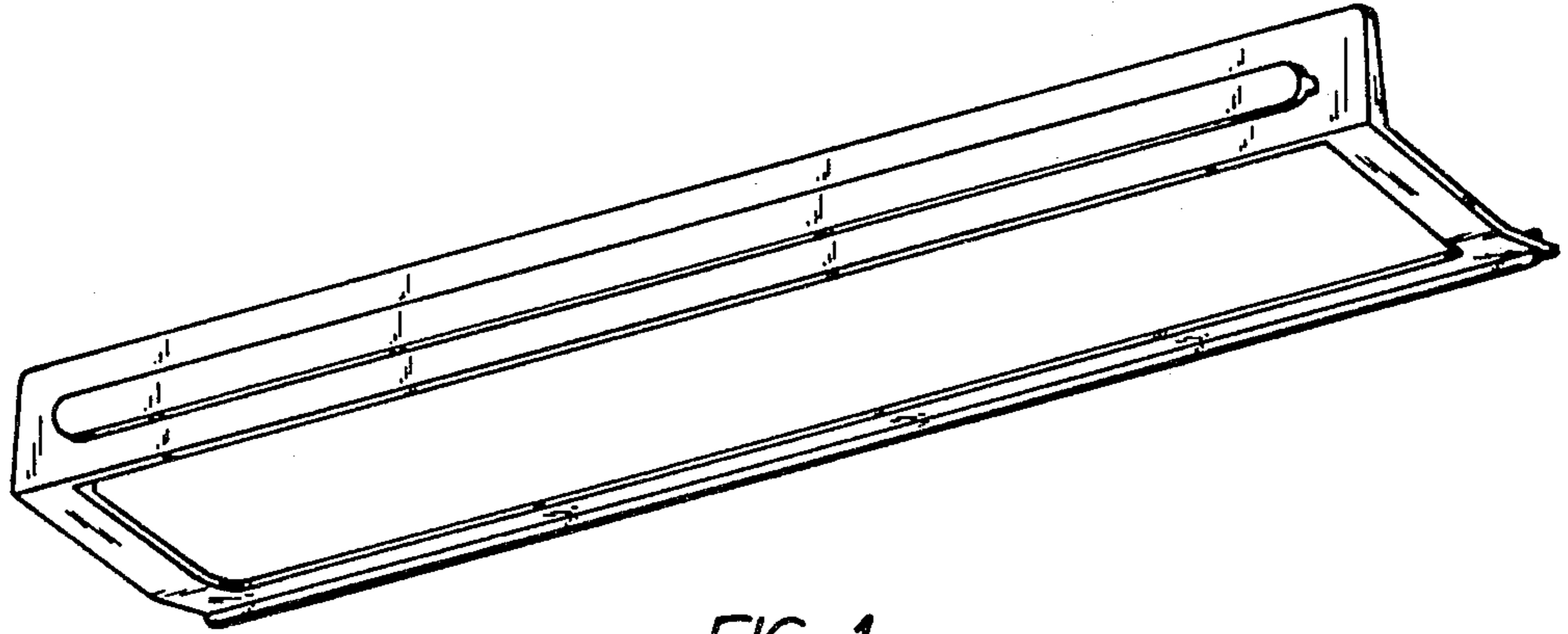


FIG. 1

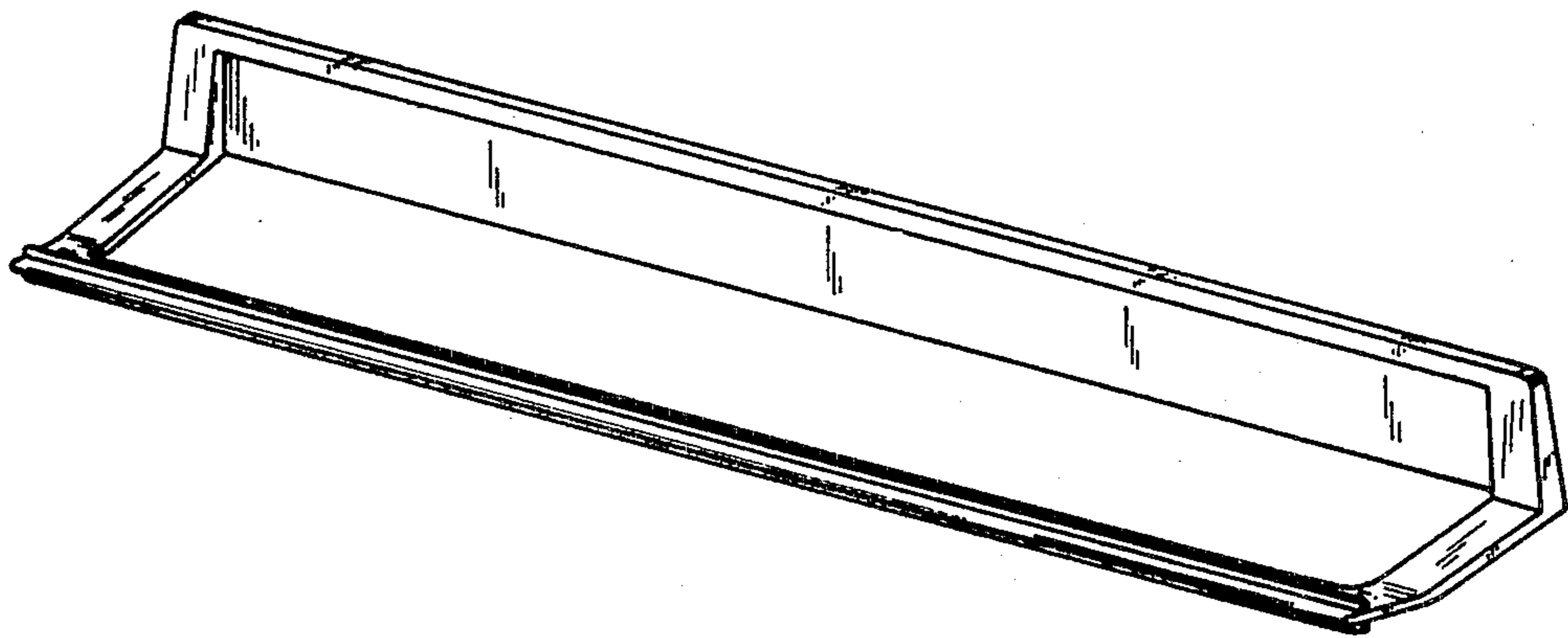


FIG. 2

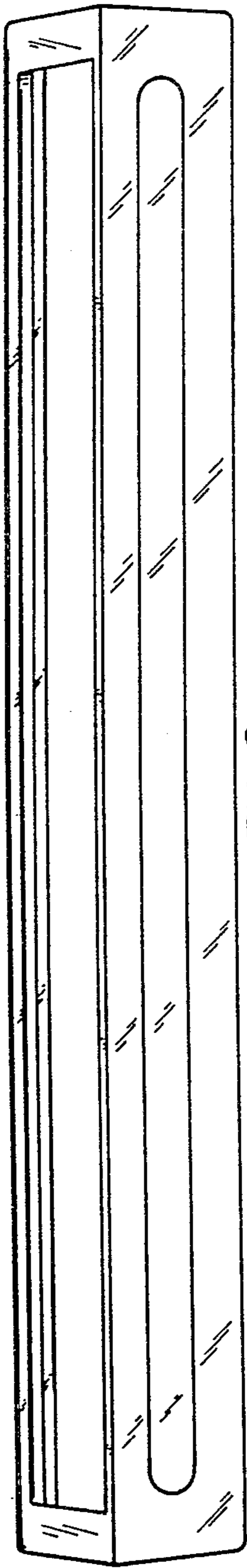


FIG. 3

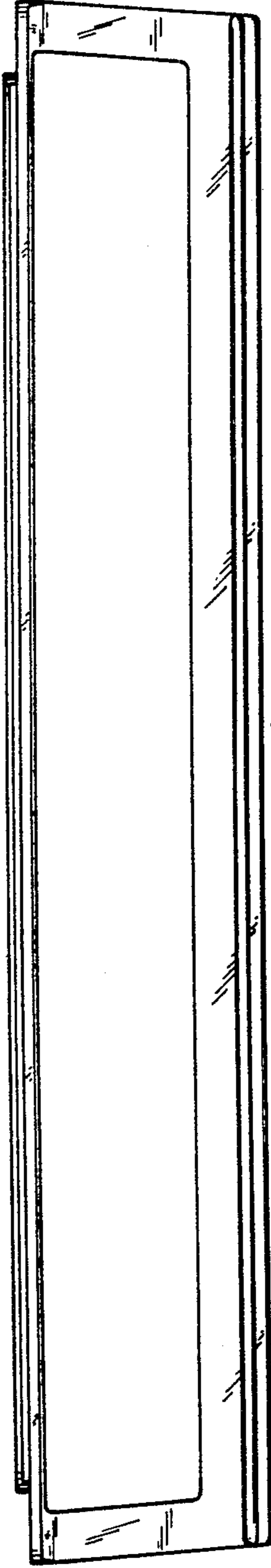


FIG. 4

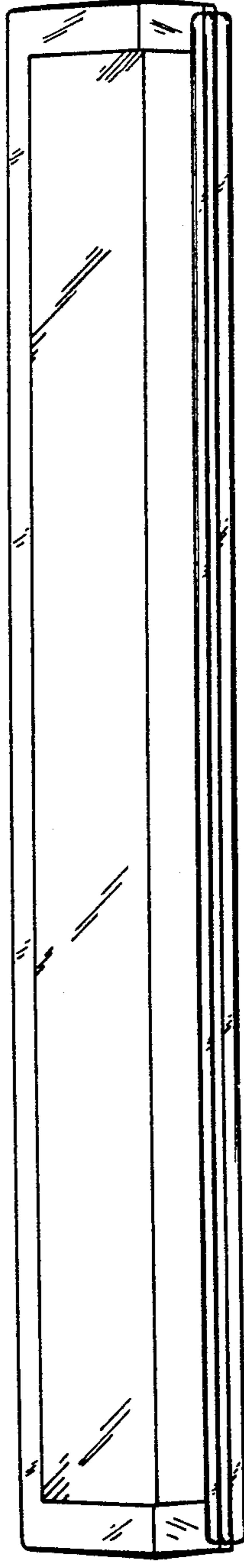


FIG. 5

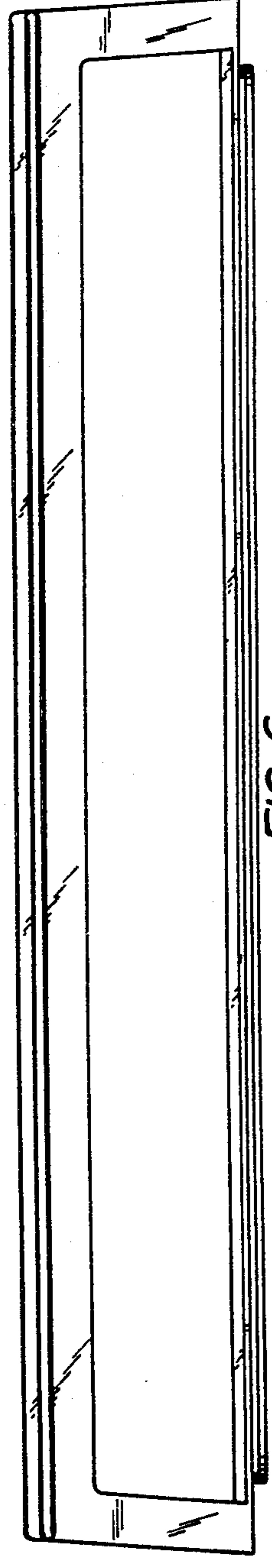


FIG. 6

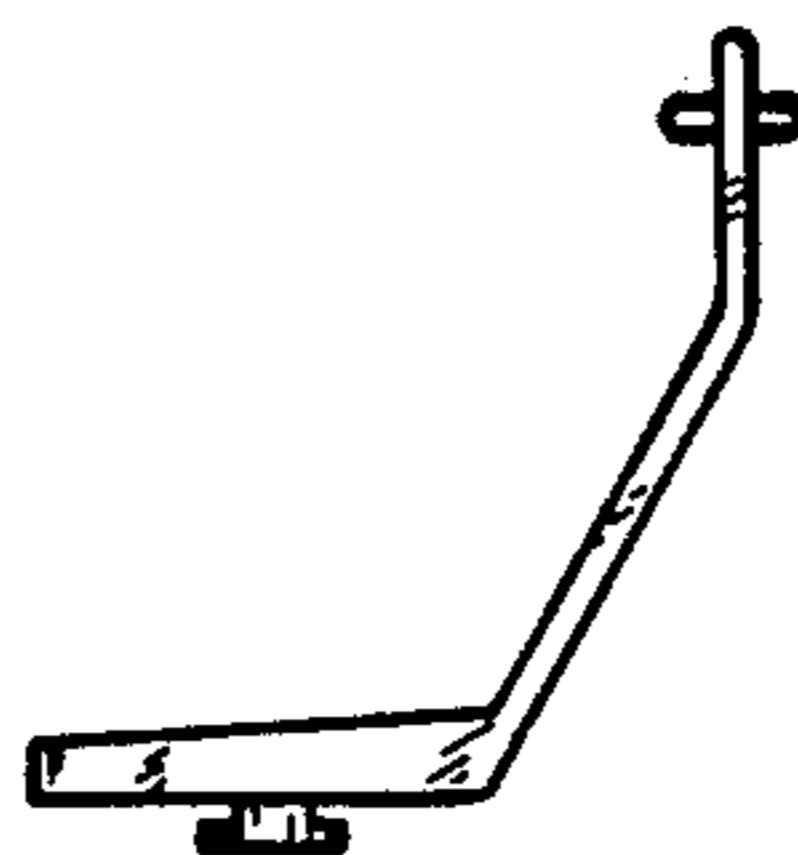


FIG. 7