

[54] MAGAZINE VENDING TRAY

[75] Inventor: Walter Nathan, Glencoe, Ill.

[73] Assignee: RTC Industries, Inc., Chicago, Ill.

[**] Term: 14 Years

[21] Appl. No.: 519,108

[22] Filed: Aug. 1, 1983

[52] U.S. Cl. D6/510; D19/92

[58] Field of Search D6/509, 510, 511; D7/37; D3/40; D34/42; D20/8, 9; D16/32; D19/92

[56] References Cited

U.S. PATENT DOCUMENTS

- D. 29,317 9/1886 Thomas D16/32 X
- D. 245,987 10/1977 Olson D16/32
- D. 246,373 11/1977 Crandell et al. D16/32
- D. 246,847 1/1978 Landau et al. D19/92 X

- D. 257,499 11/1980 Rogers D7/37
- D. 276,444 11/1984 Battle D19/92 X

Primary Examiner—Bruce W. Dunkins
Attorney, Agent, or Firm—Norman Lettvin

[57] CLAIM

The ornamental design for a magazine vending tray, as shown.

DESCRIPTION

FIG. 1 is a perspective view of a magazine vending tray showing my new design;
 FIG. 2 is a top plan view;
 FIG. 3 is a side elevational view, taken looking upwardly from below FIG. 2;
 FIG. 4 is a foot-end elevational view, taken looking from the left of FIG. 2;
 FIG. 5 is a head-end elevational view, taken looking from the right of FIG. 2; and
 FIG. 6 is a bottom plan view thereof.

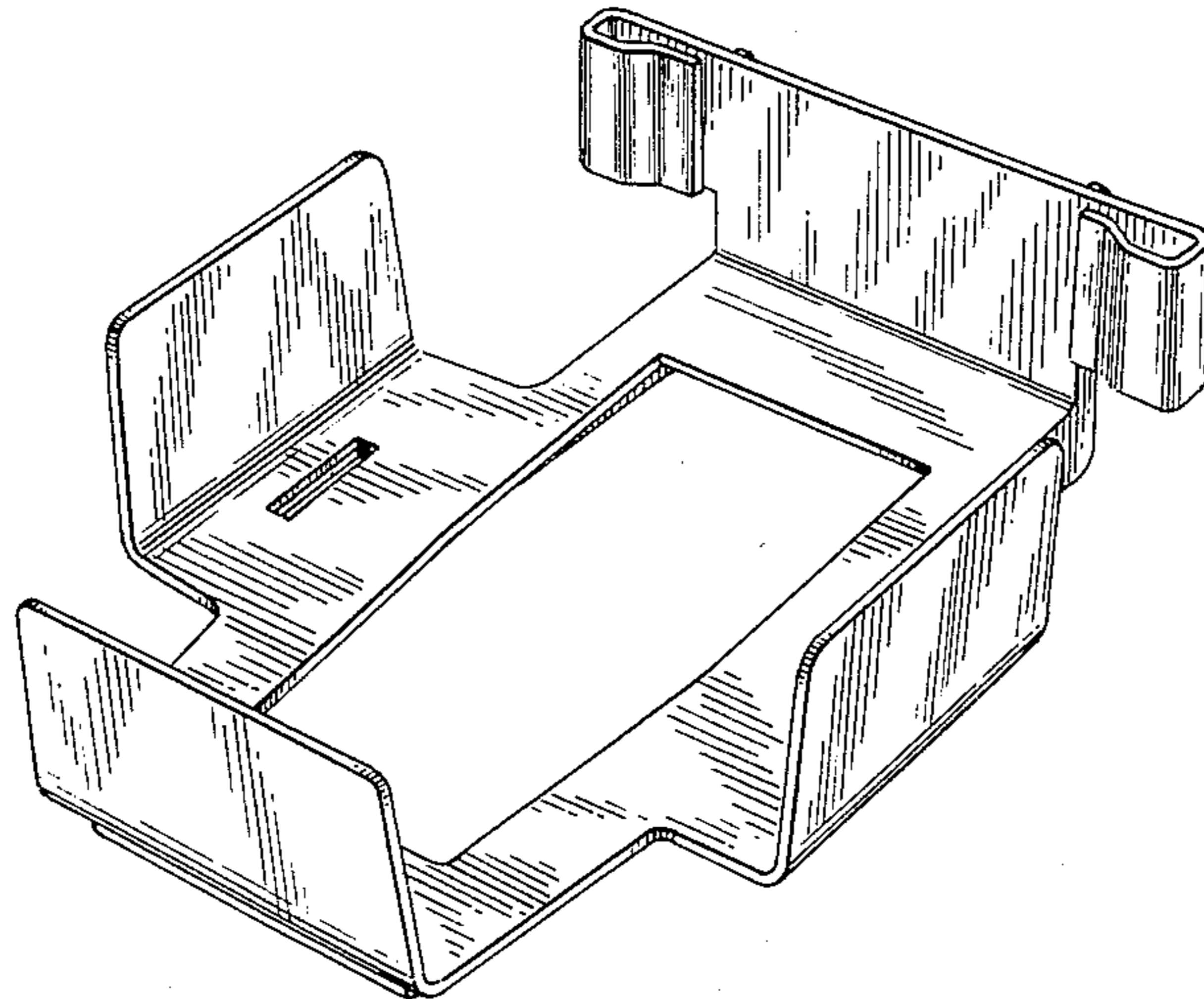


FIG. 1

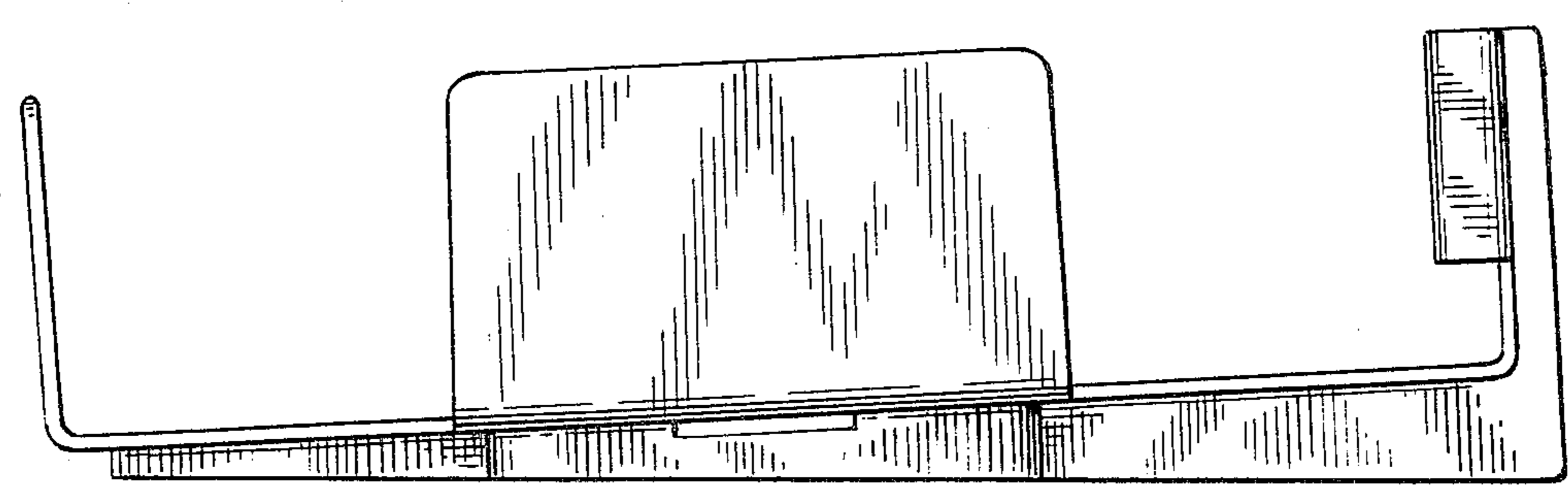
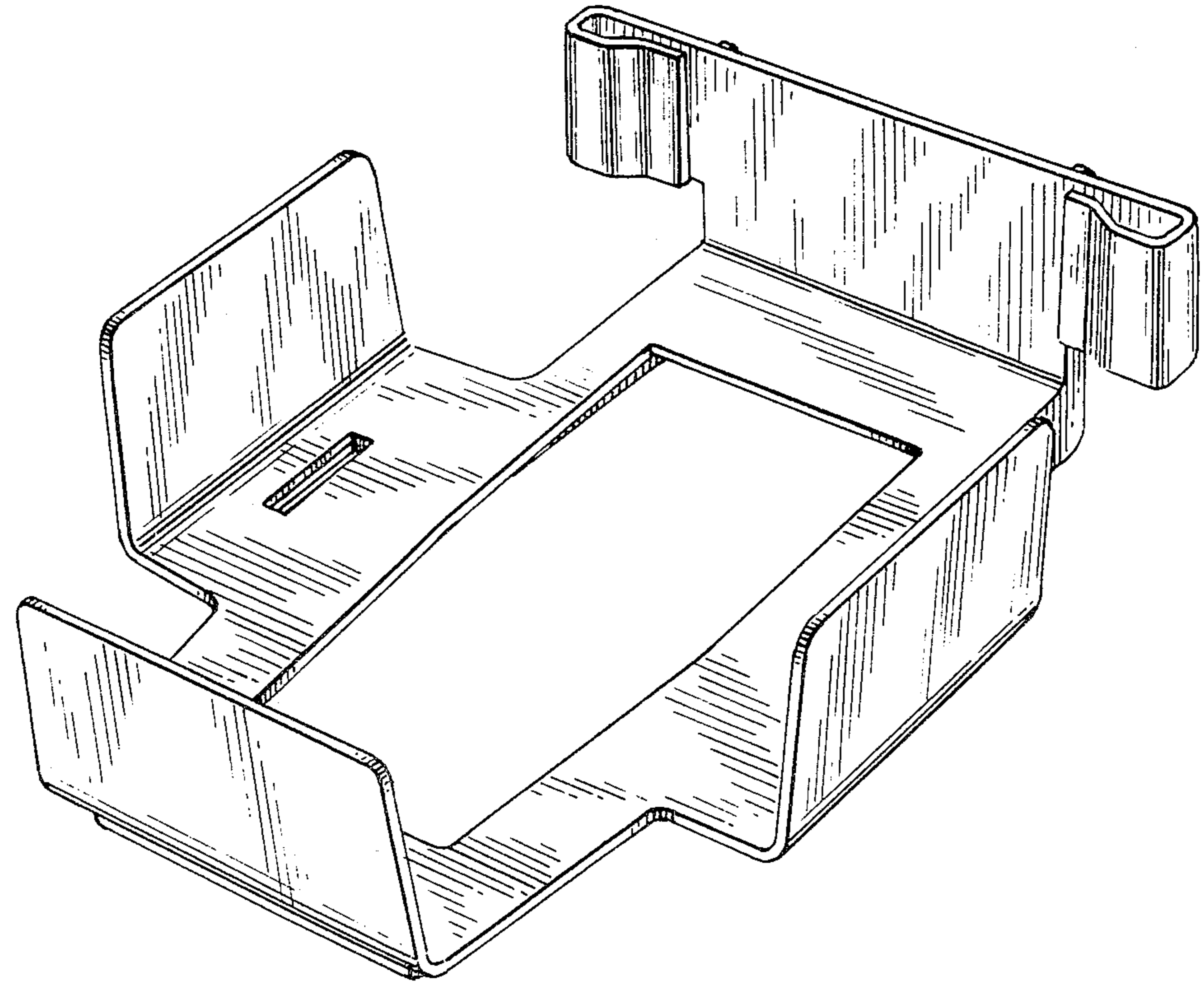


FIG. 3

FIG. 2

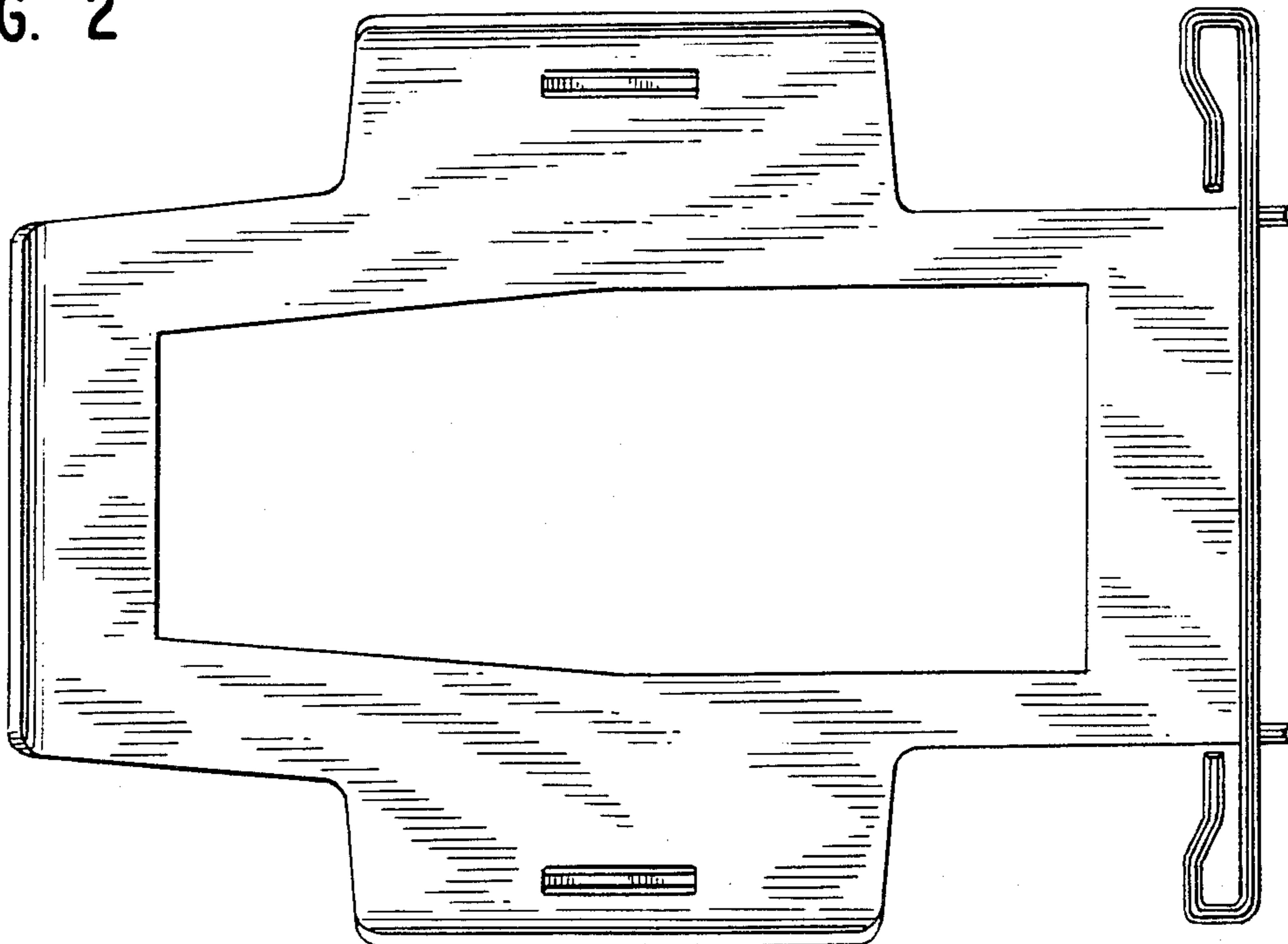


FIG. 4

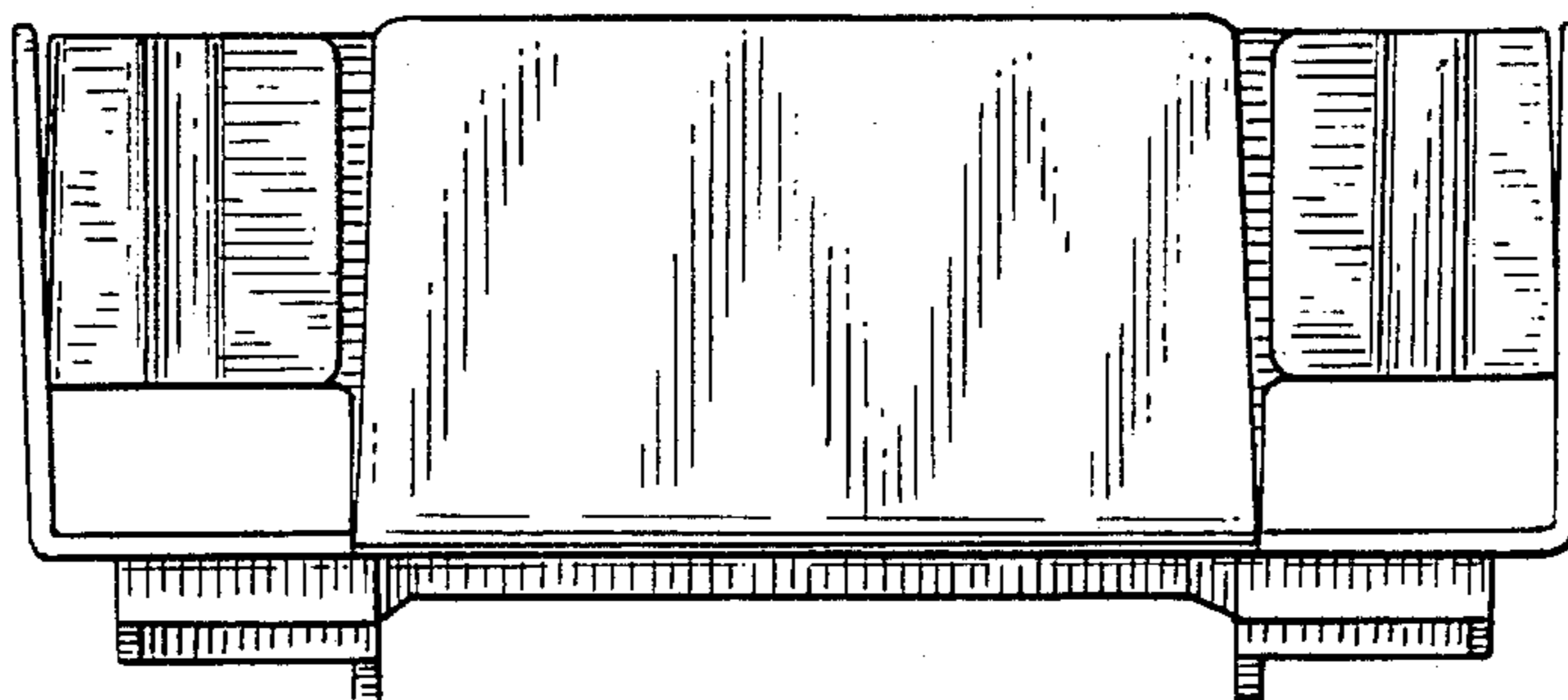


FIG. 5

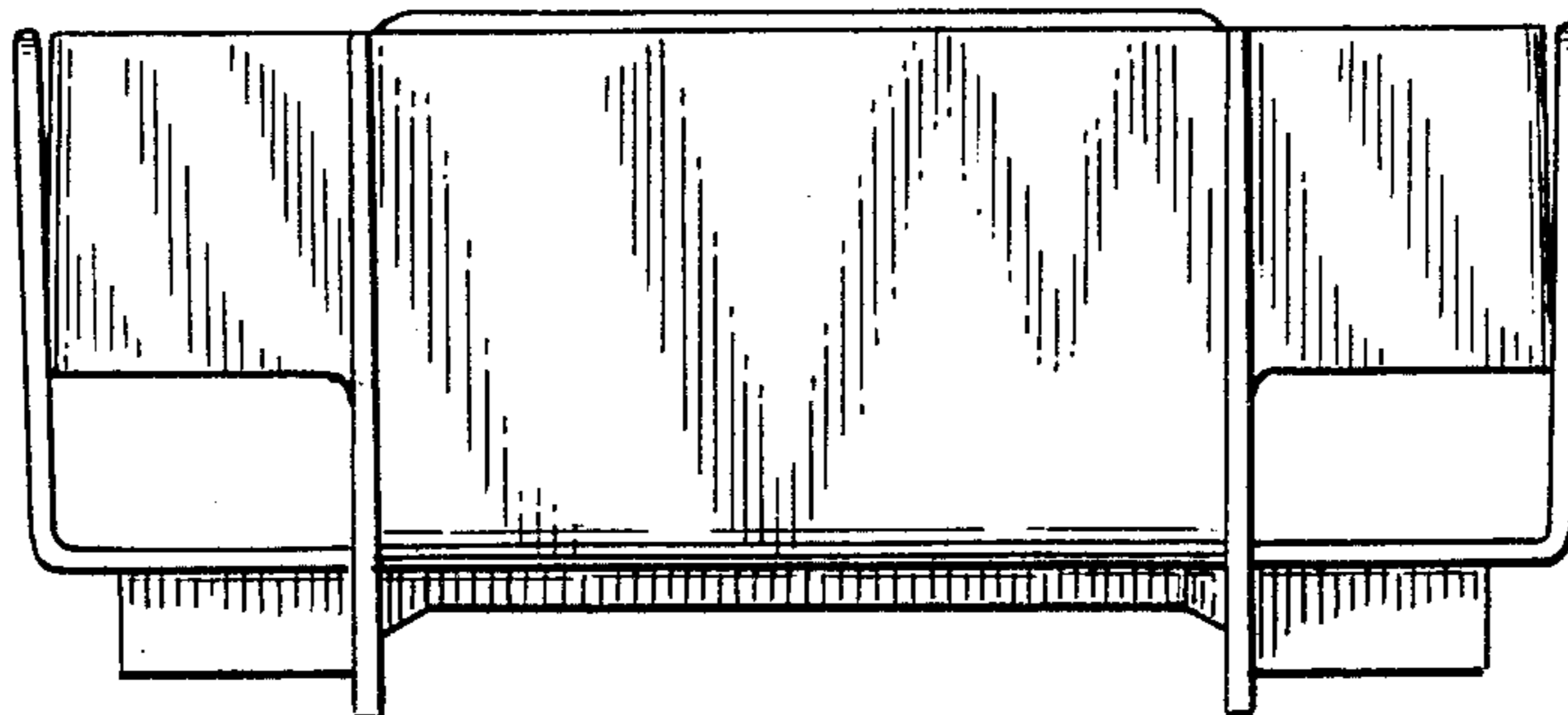


FIG. 6

