

[54] **WATCH DISPLAY STAND**

[75] **Inventor: Charlotte Marsh, Irvine, Calif.**

[73] **Assignee: Innovative Time Corporation, Carlsbad, Calif.**

[**] **Term: 14 Years**

[21] **Appl. No.: 643,485**

[22] **Filed: Aug. 23, 1984**

[52] **U.S. Cl. D6/474**

[58] **Field of Search D6/449, 470, 473, 474, D6/403-405; 512/114; 211/13; 108/91, 92, 93, 96, 102, 106, 108, 150**

[56] **References Cited**

U.S. PATENT DOCUMENTS

D. 162,511	3/1951	Bauer et al.	D6/474
3,564,790	2/1971	Rehfeld	108/92 X
4,025,137	5/1977	Wyler	108/93 X

FOREIGN PATENT DOCUMENTS

170721 4/1916 Canada 108/92

OTHER PUBLICATIONS

"Genuine Structural Bends" by W. L. Stensgaard And Assoc., Inc. Folded Flyer, back of Flyer, Block C, Terraced Display Stand top right of page.

Primary Examiner—Carmen H. Vales

[57] **CLAIM**

The ornamental design for a watch display stand, as shown.

DESCRIPTION

FIG. 1 is a front perspective view of a watch display stand showing my new design;

FIG. 2 is a rear perspective view thereof;

FIG. 3 is a front elevational view thereof; and

FIG. 4 is a right side elevational view thereof.

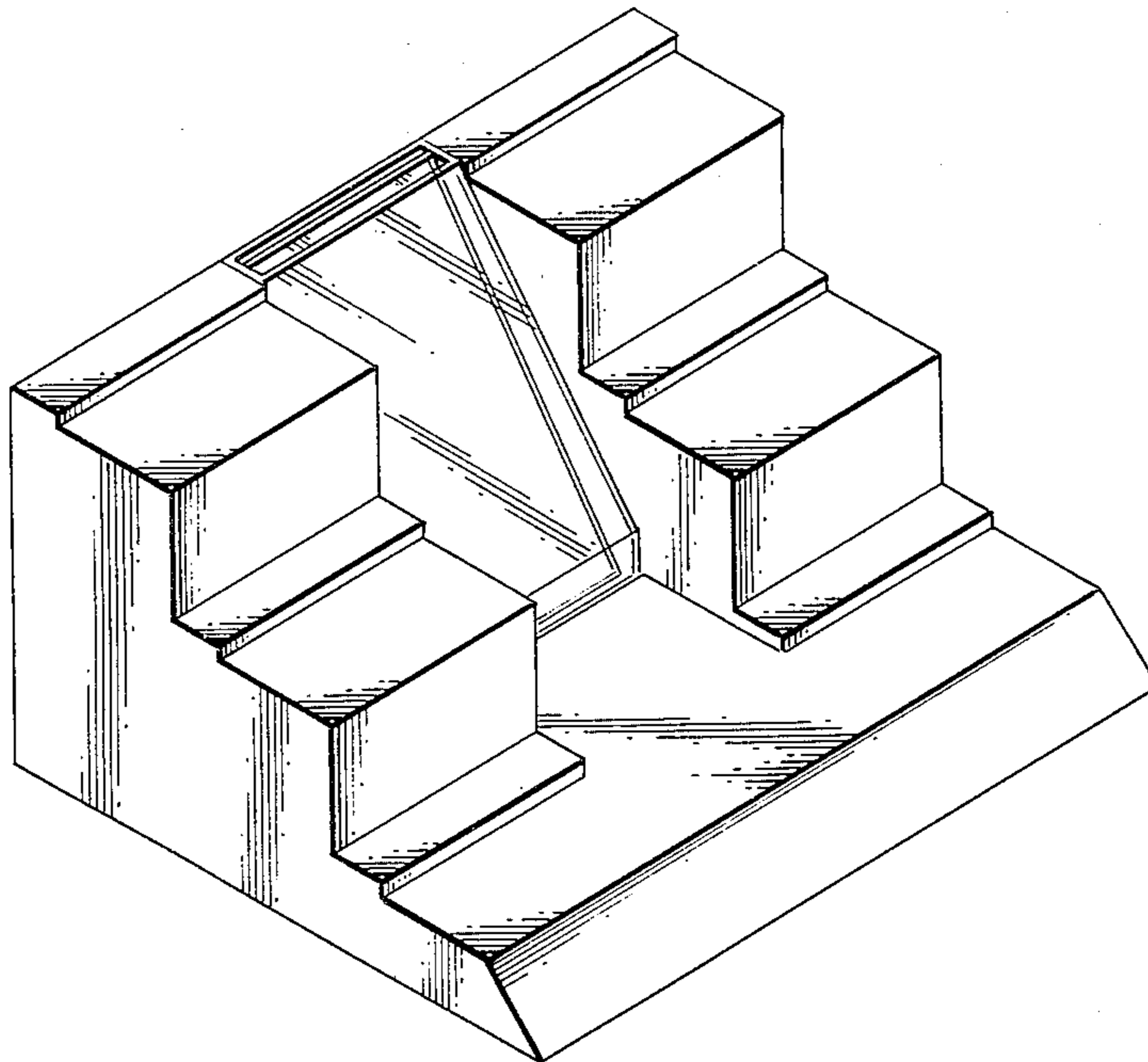


FIG. 1

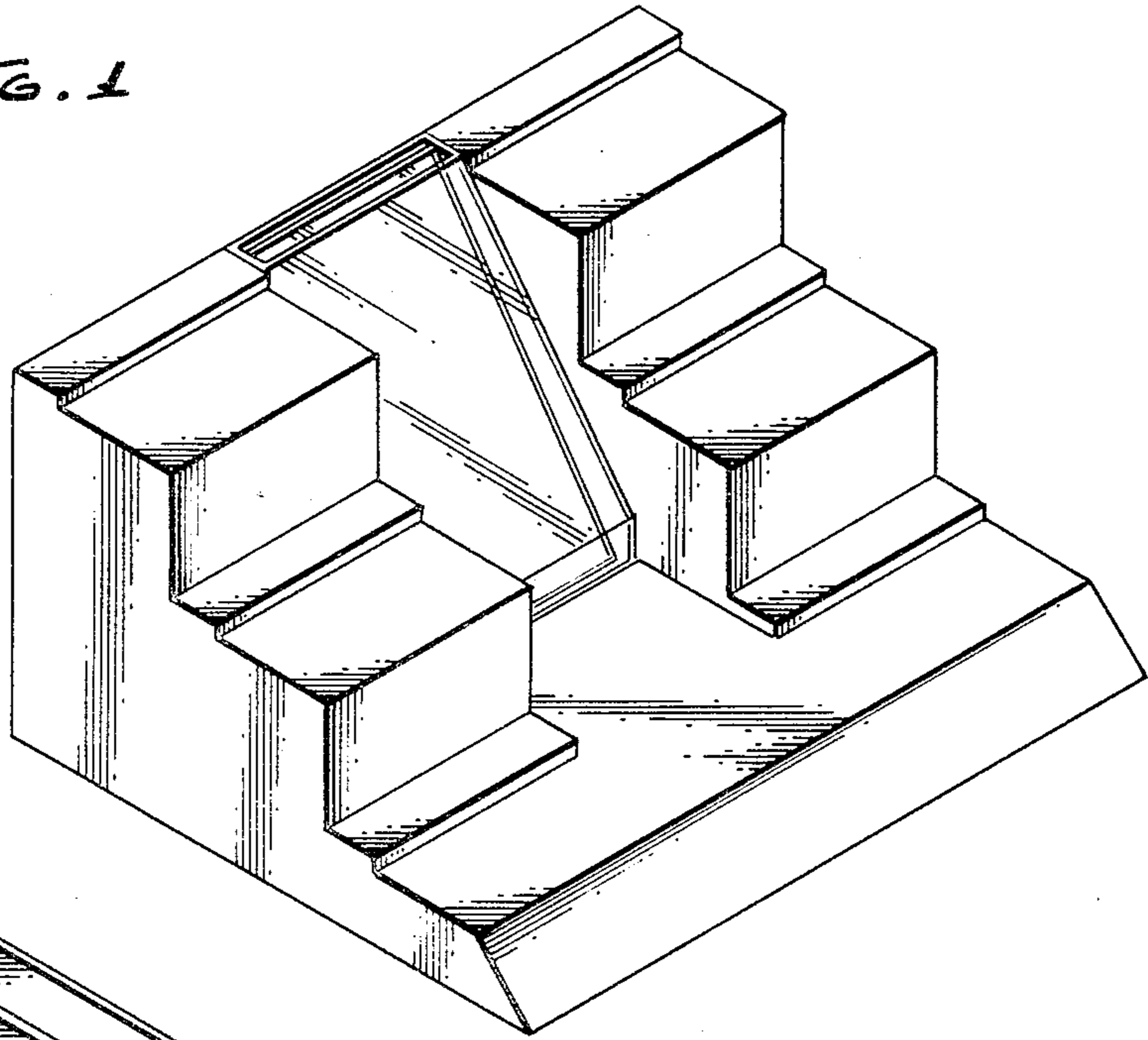


FIG. 2

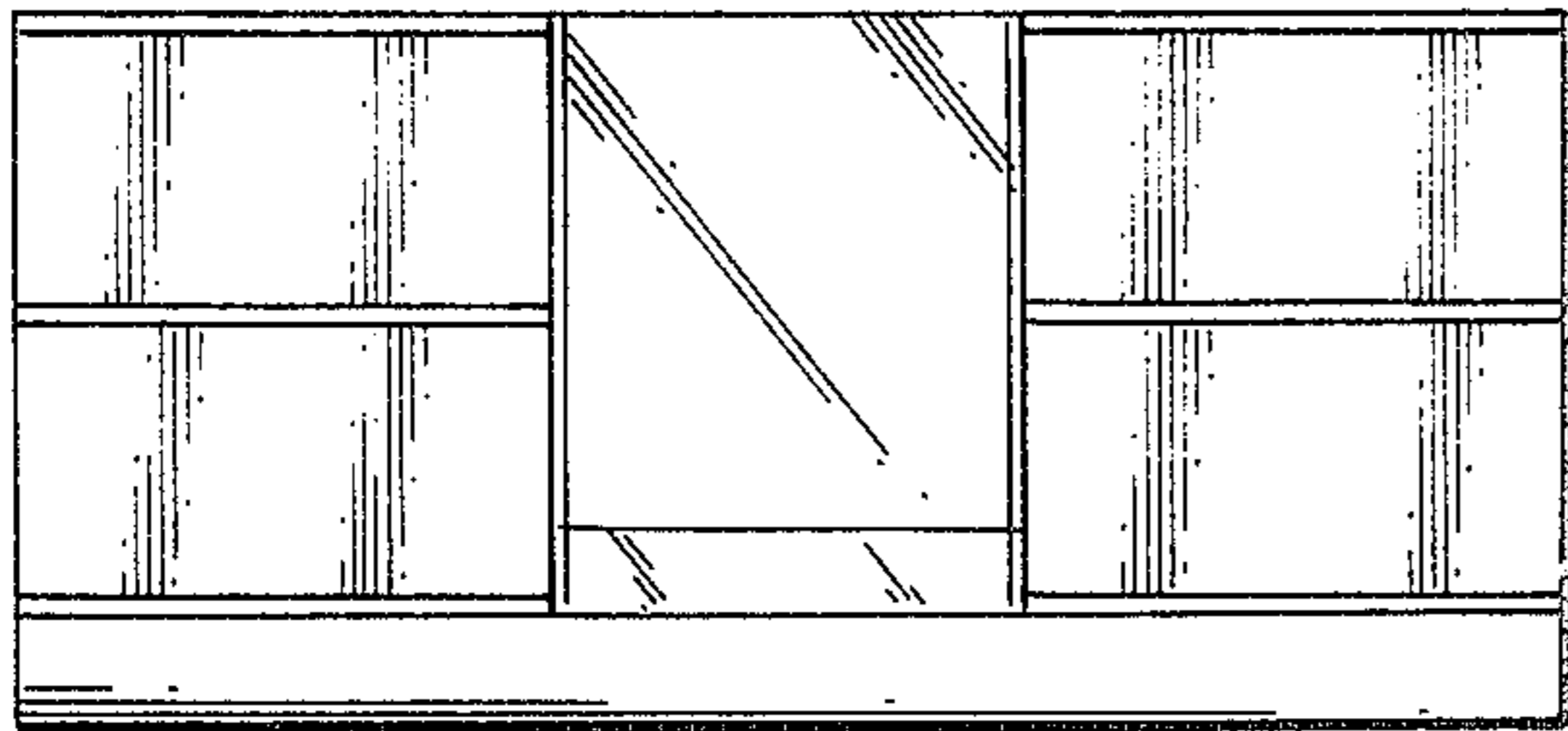
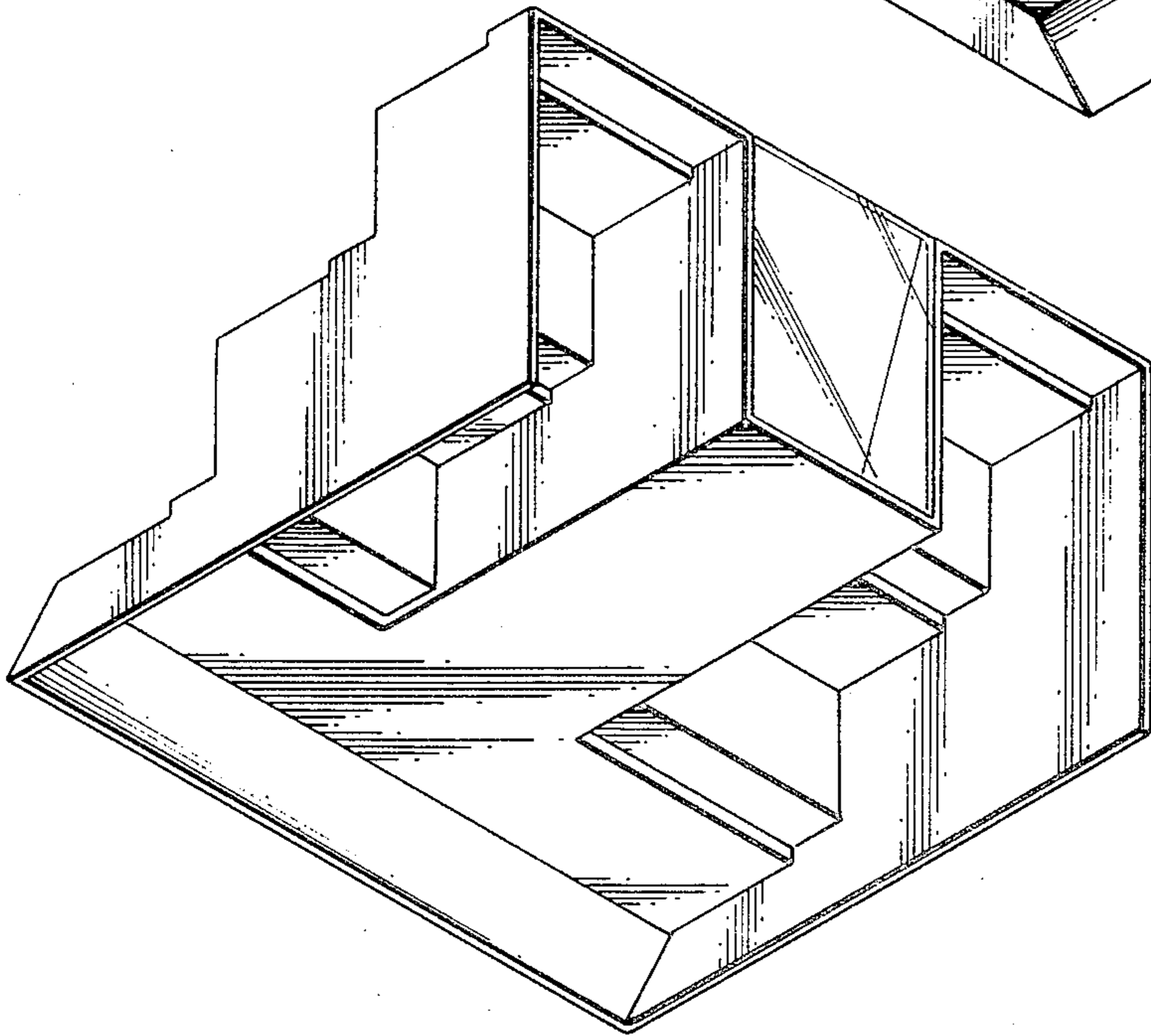


FIG. 3

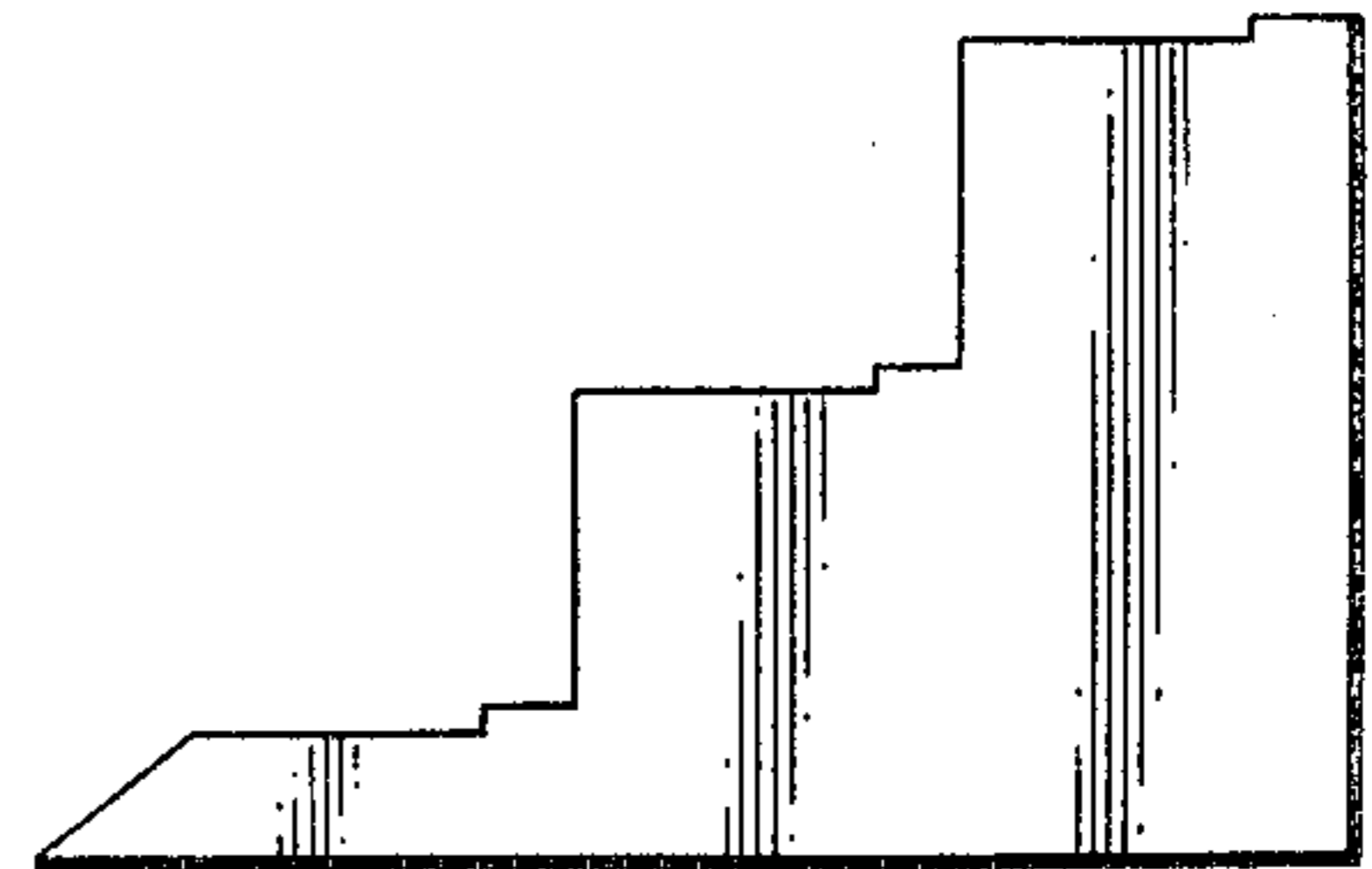


FIG. 4