

[54] ACOUSTIC OTOSCOPE

[56] References Cited

[76] Inventors: Edward C. Brainard, II, 312 Delano Rd.; Russell N. Chute, 103 Old Knoll Rd., both of Marion, Mass. 02738; Mark A. Fortin, 100 Brown St., North Dartmouth, Mass. 02747

U.S. PATENT DOCUMENTS

D. 222,925	2/1972	Pulos	D24/17
3,373,737	3/1968	Moore et al.	D24/17 X
3,698,387	10/1972	Moore et al.	128/9
4,366,811	1/1983	Reister	128/9

Primary Examiner—A. Hugo Word
Assistant Examiner—Stella M. Reid
Attorney, Agent, or Firm—Cesari & McKenna

[**] Term: 14 Years

[57] CLAIM

The ornamental design for an acoustic otoscope, substantially as shown and described.

[21] Appl. No.: 586,218

DESCRIPTION

[22] Filed: Mar. 5, 1984

FIG. 1 is a perspective view of an acoustic otoscope showing our new design;

[52] U.S. Cl. D24/17; D24/18; 128/9

FIG. 2 is a front elevational view thereof;

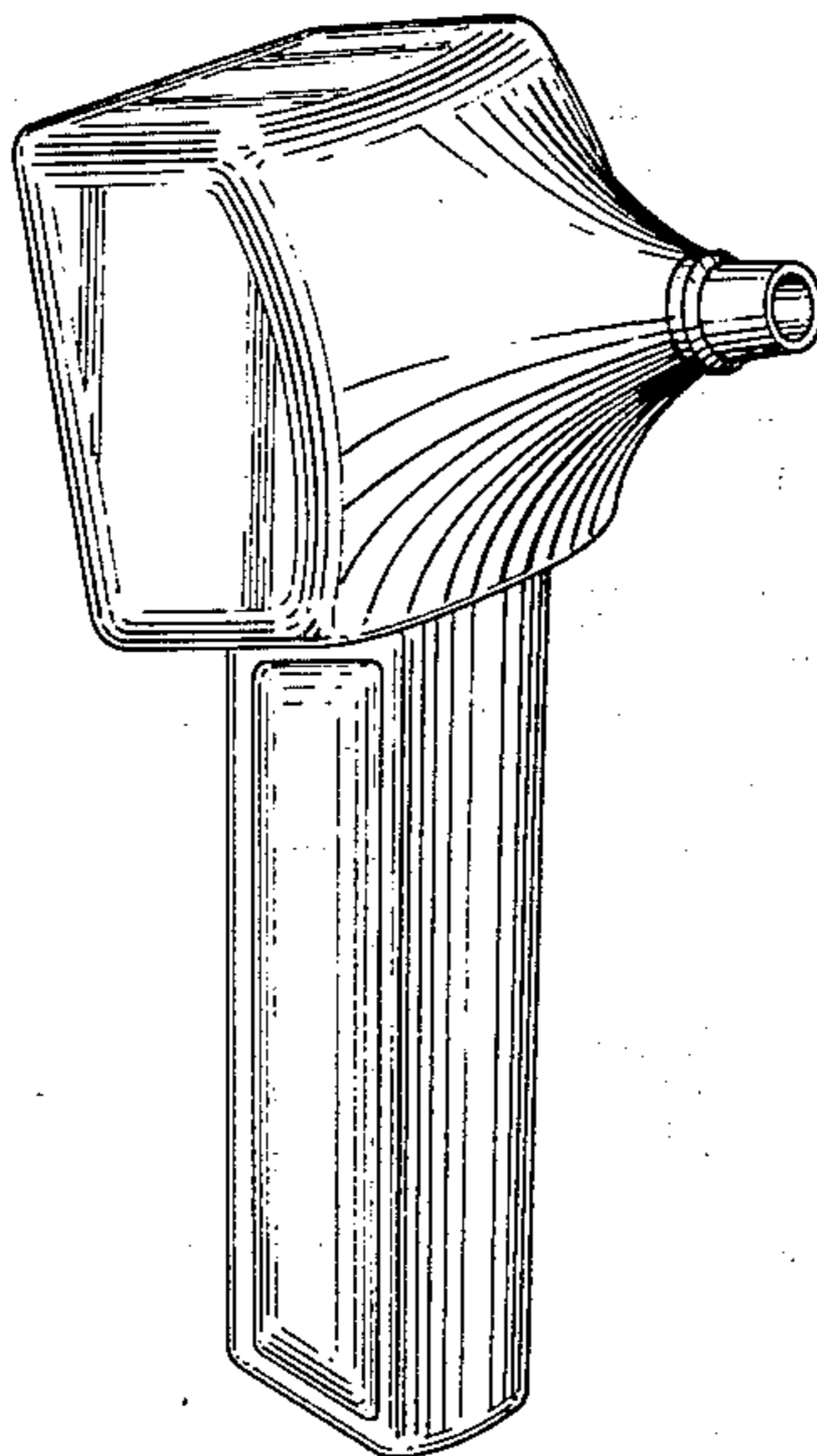
[58] Field of Search D24/17, 8, 18; 128/3-8, 9

FIG. 3 is a side elevational view thereof;

FIG. 4 is a rear elevational view thereof;

FIG. 5 is a top plan view thereof; and

FIG. 6 is a bottom plan view thereof.



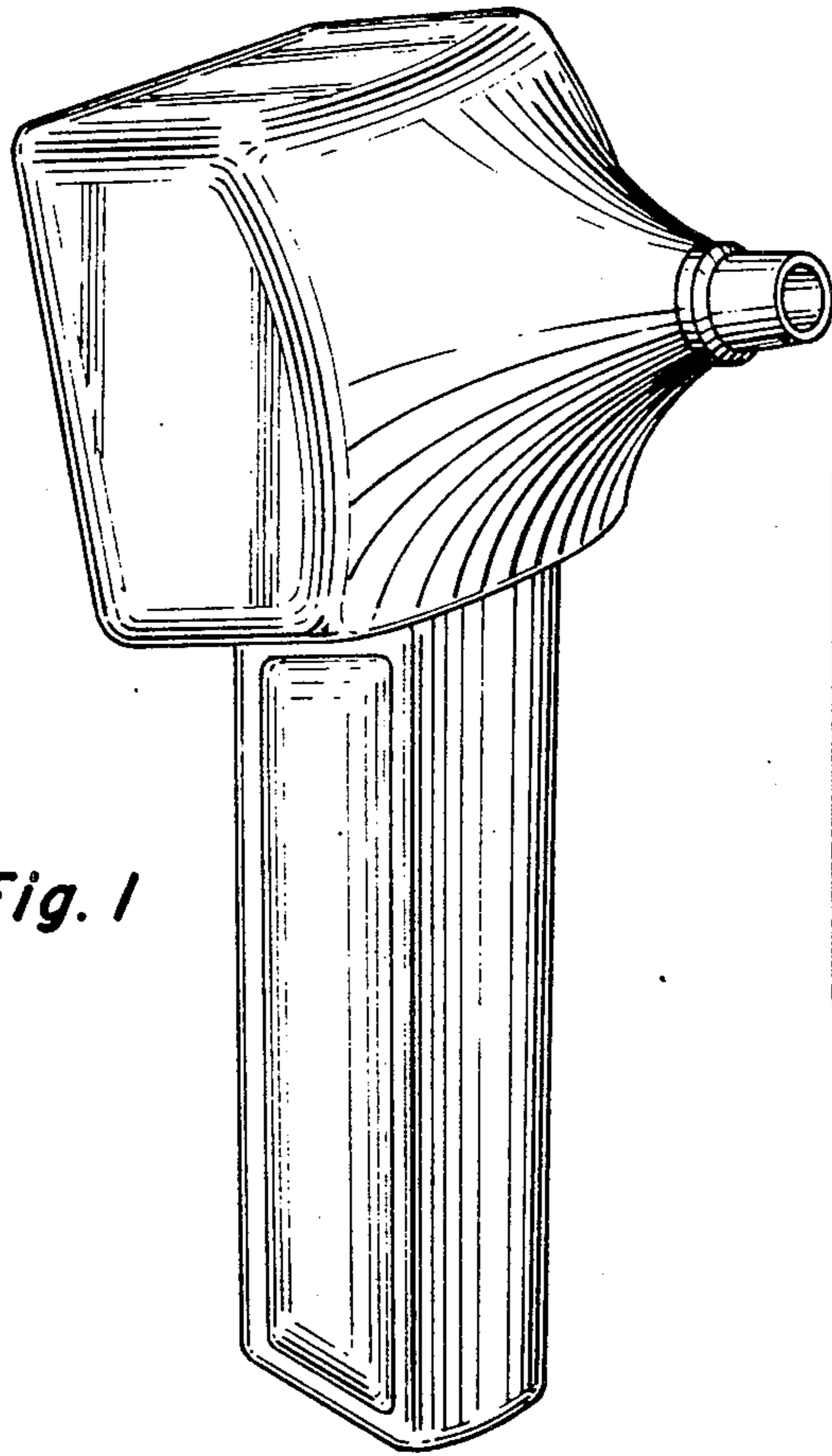


Fig. 1

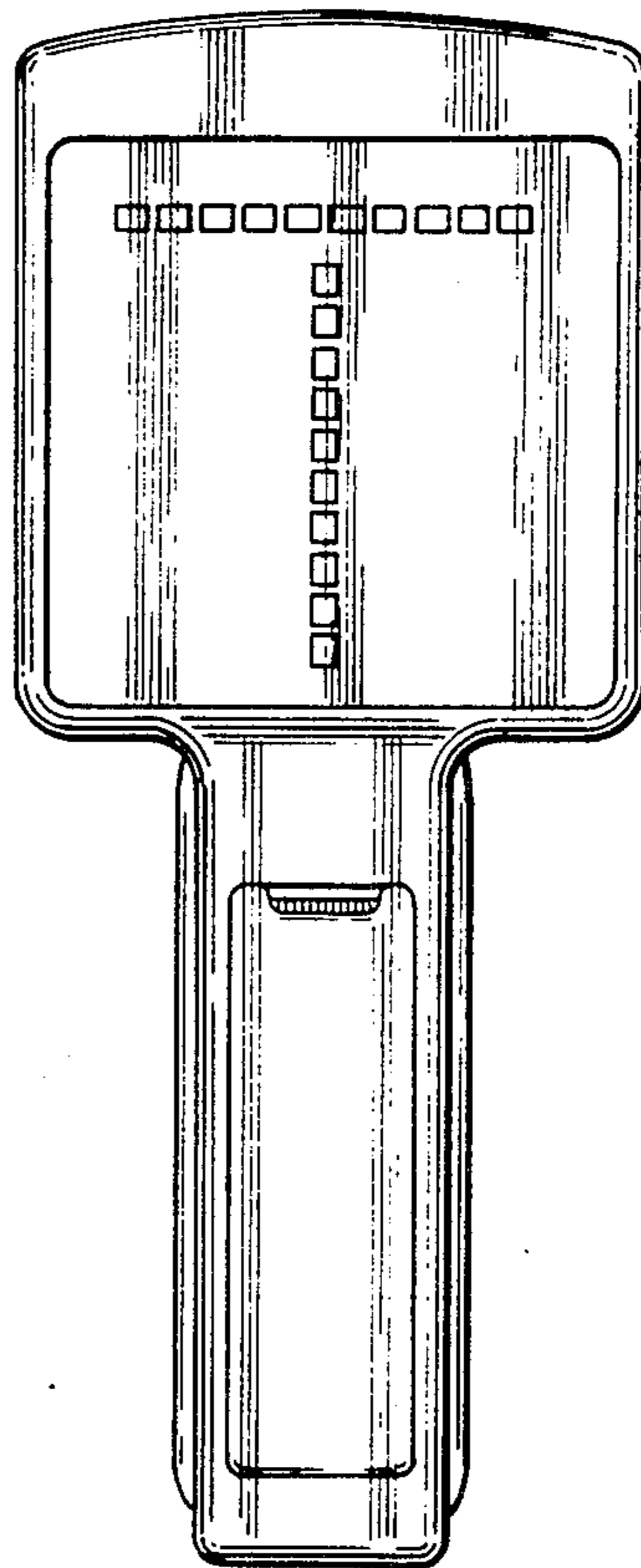


Fig. 4

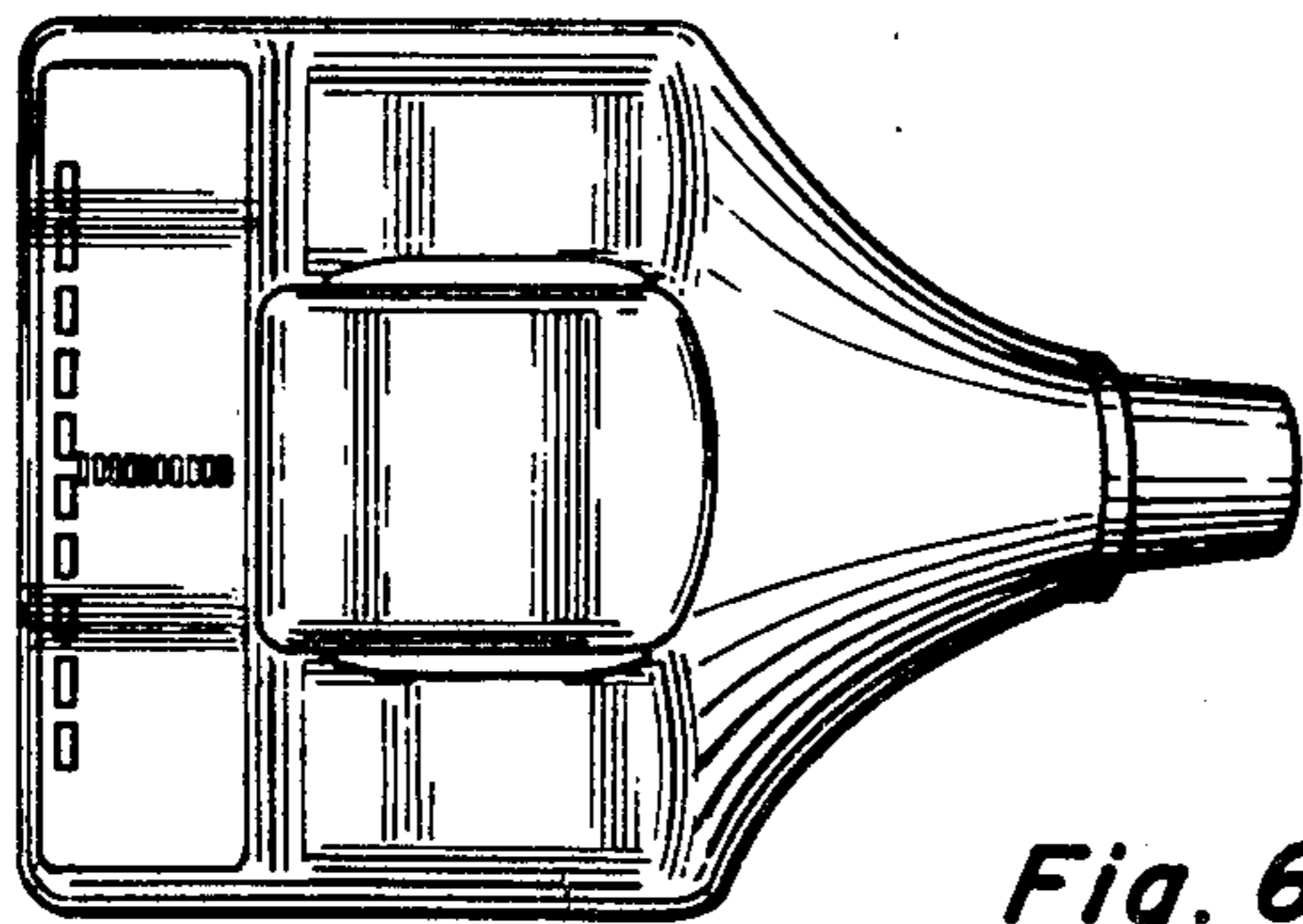


Fig. 6

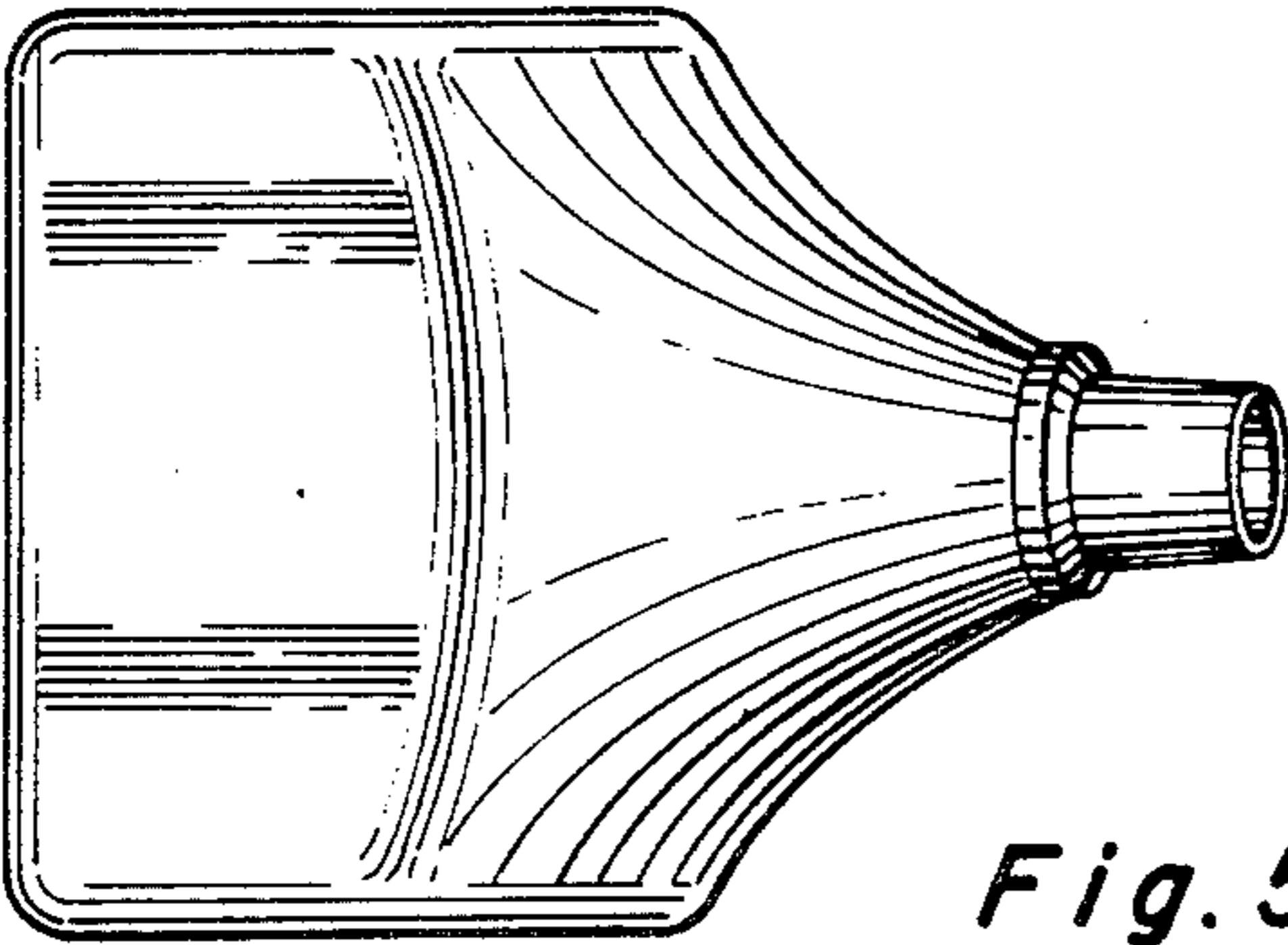


Fig. 5

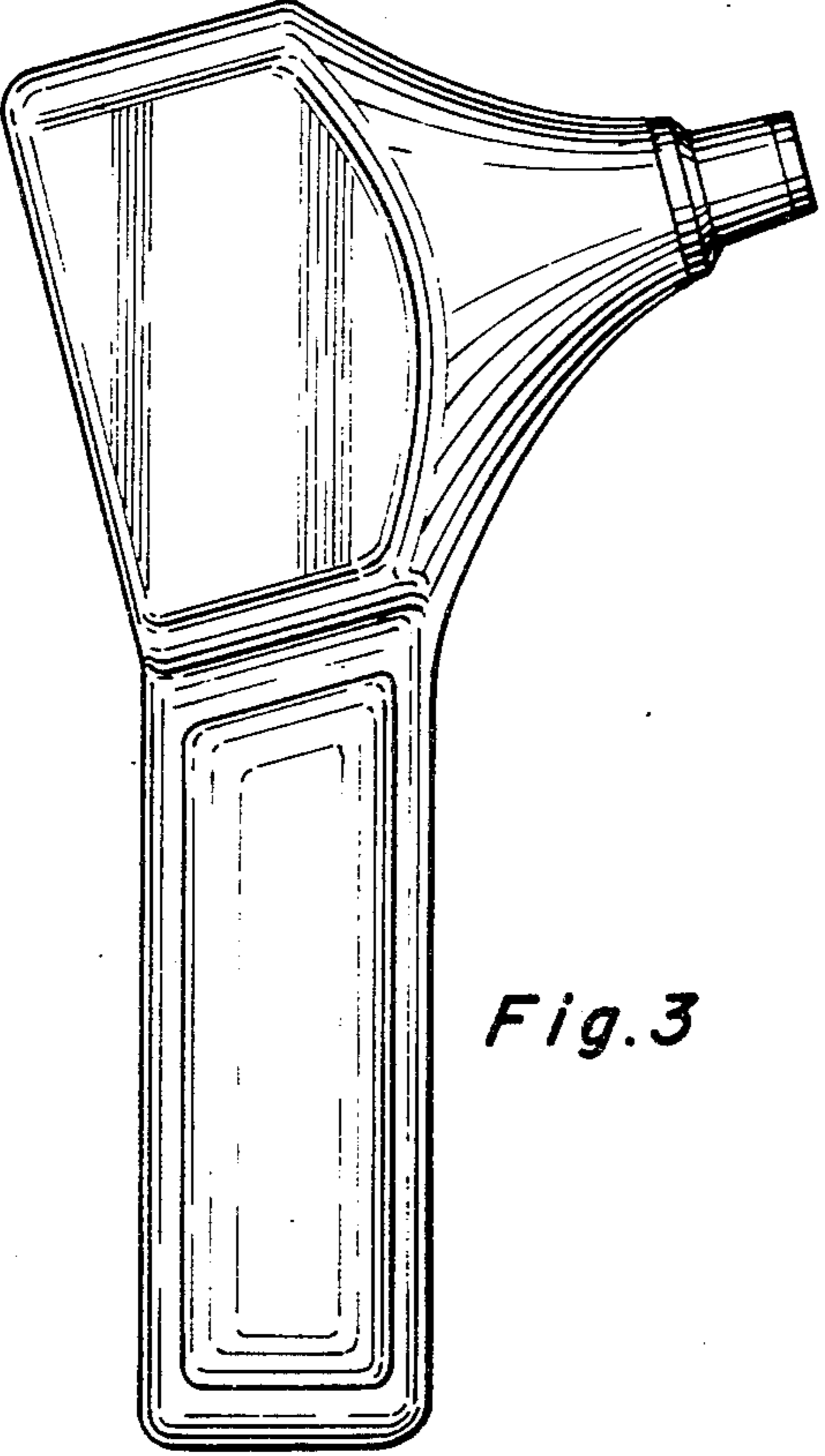


Fig. 3

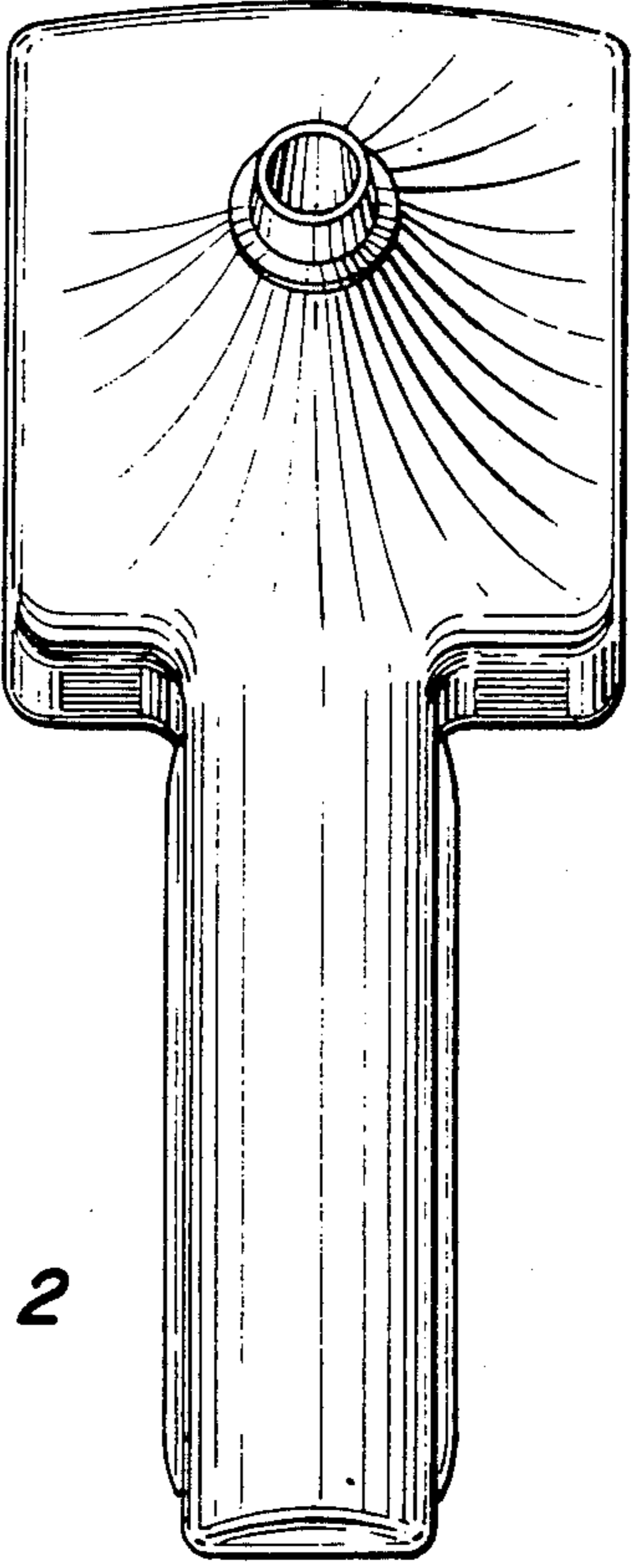


Fig. 2