

[54] DUAL SEATED BATHTUB

[76] Inventor: Harvey E. Diamond, 12953 Woodbridge St., Studio City, Calif. 91604

[**] Term: 14 Years

[21] Appl. No.: 572,644

[22] Filed: Jan. 20, 1984

[52] U.S. Cl. D23/55

[58] Field of Search D23/48, 55, 56; D24/38; 4/538, 575, 578, 579, 584

[56] References Cited

U.S. PATENT DOCUMENTS

- D. 251,610 4/1979 Moltke D24/38
- D. 264,629 5/1982 Longmire D23/55
- D. 278,929 5/1985 Burgess et al. D23/56

OTHER PUBLICATIONS

1981 Sweet's Catalog File, American Whirlpool Prod-

ucts Brochure, Sec. 13. 4c/A/c, p. 3, Japanese Deep Soaker Whirlpool Spa.

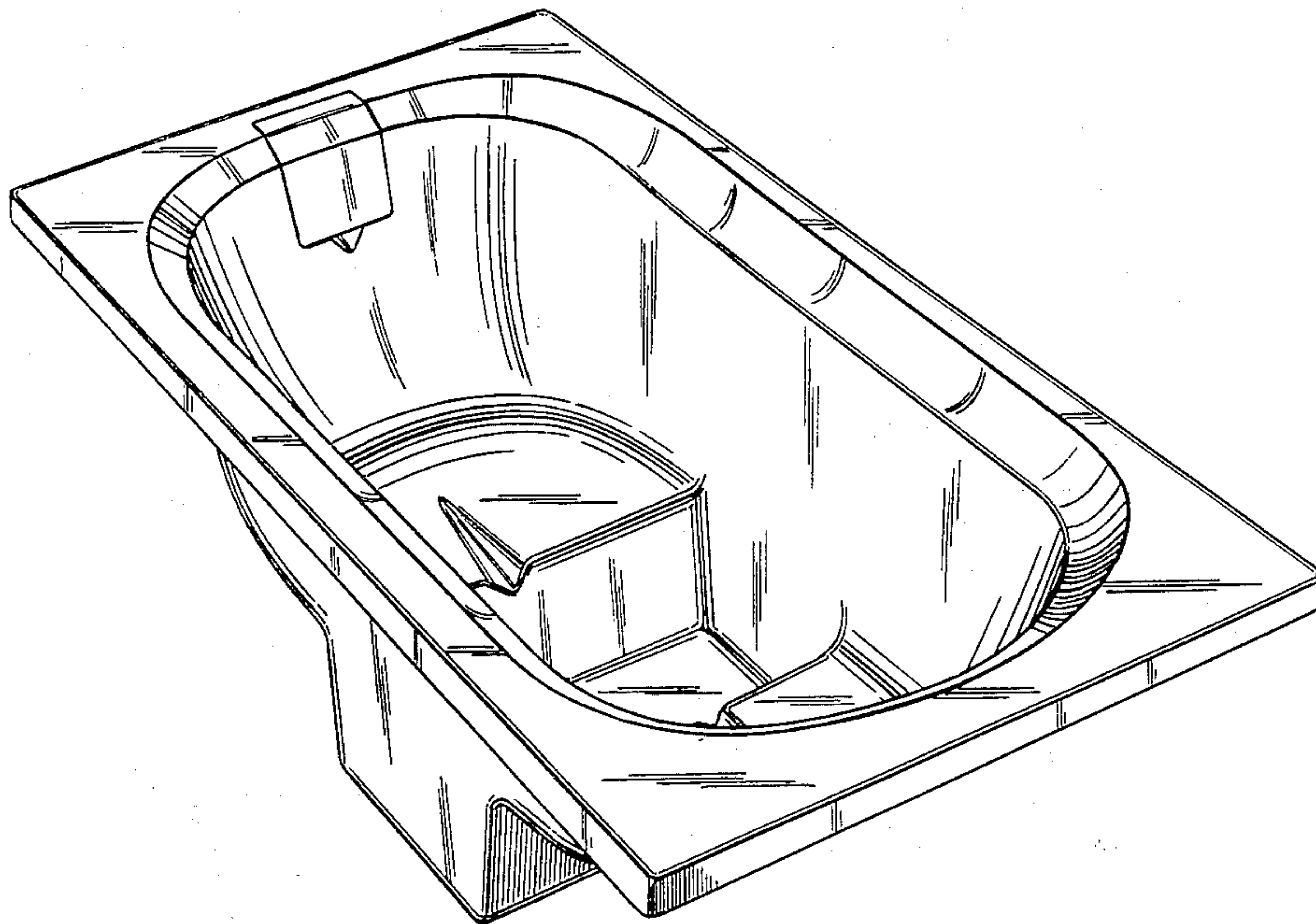
Primary Examiner—James M. Gandy
Attorney, Agent, or Firm—Drucker & Sommers

[57] CLAIM

The ornamental design for a dual-seated bathtub, as shown and described.

DESCRIPTION

FIG. 1 is a perspective view of a first embodiment of the dual-seated bathtub showing my invention;
 FIG. 2 is a top plan view of FIG. 1;
 FIG. 3 is a cross-sectional view taken along line 3—3 of FIG. 2;
 FIG. 4 is a perspective view of a second embodiment of the dual-seated bathtub of my invention;
 FIG. 5 is a top plan view of FIG. 4; and
 FIG. 6 is a cross-sectional view taken along line 6—6 of FIG. 5.



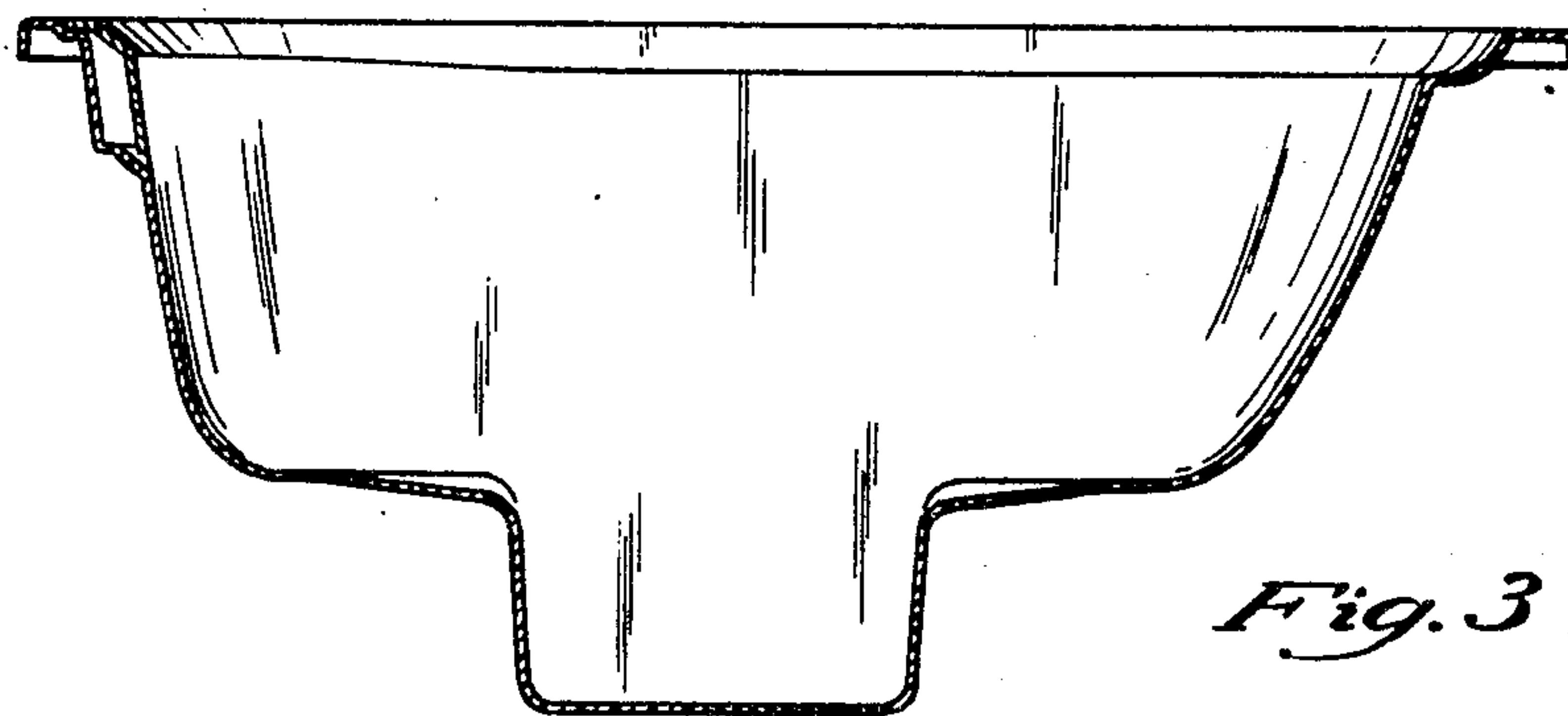
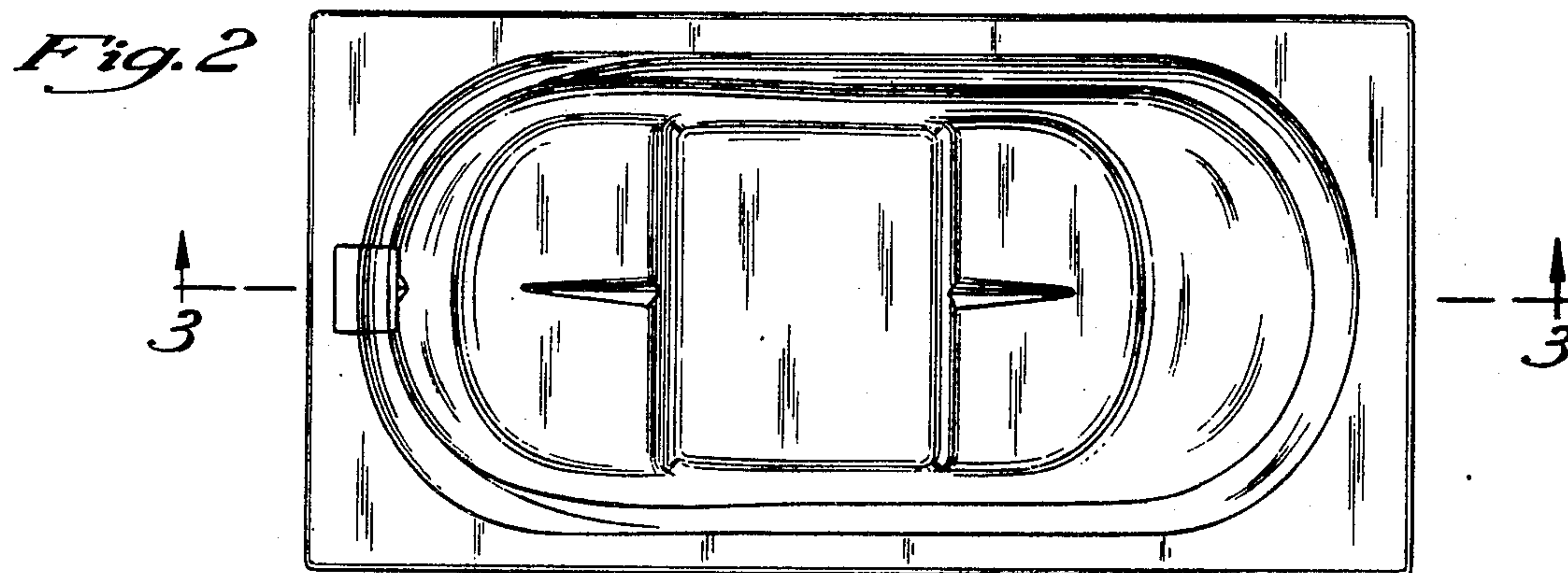
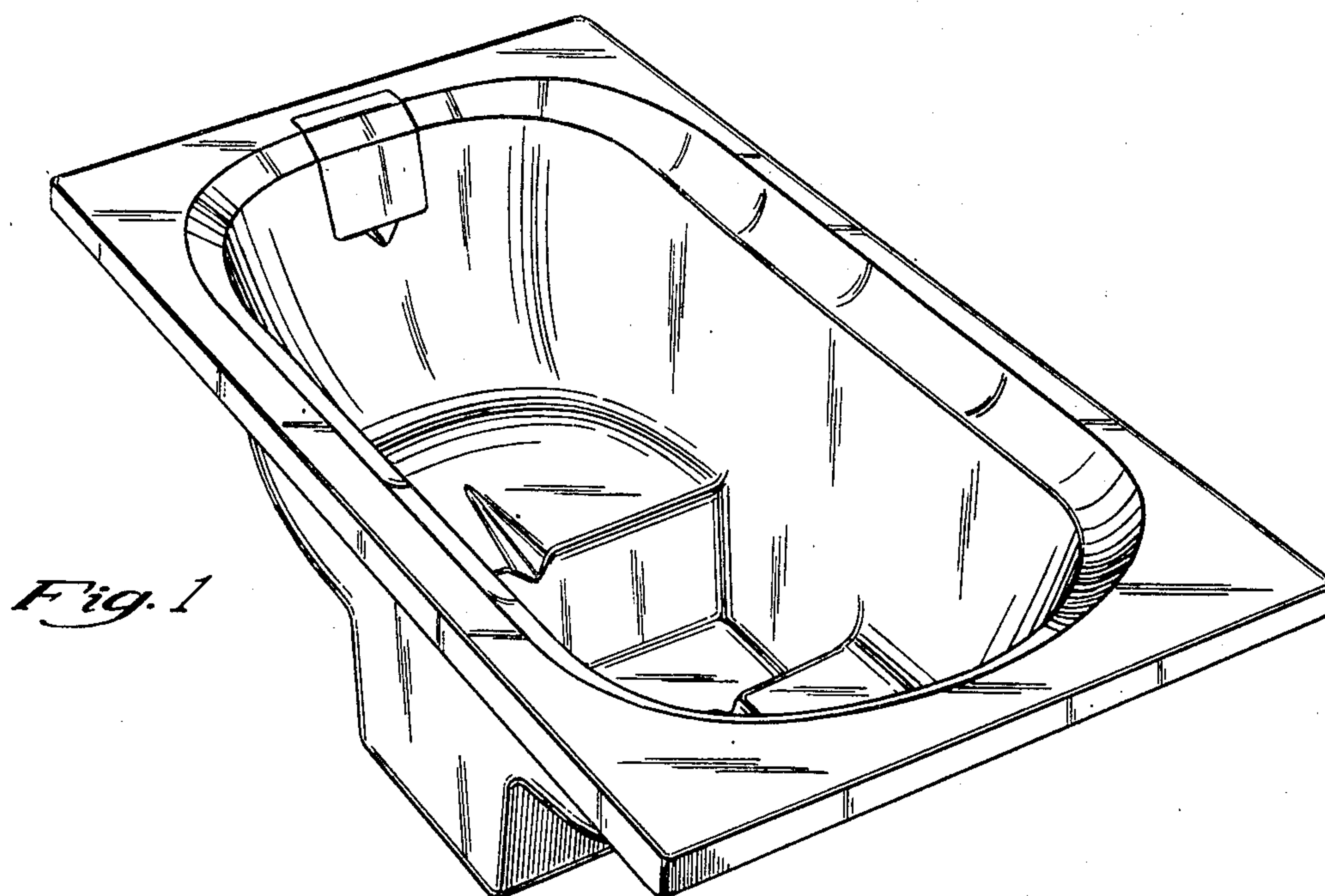


Fig. 3

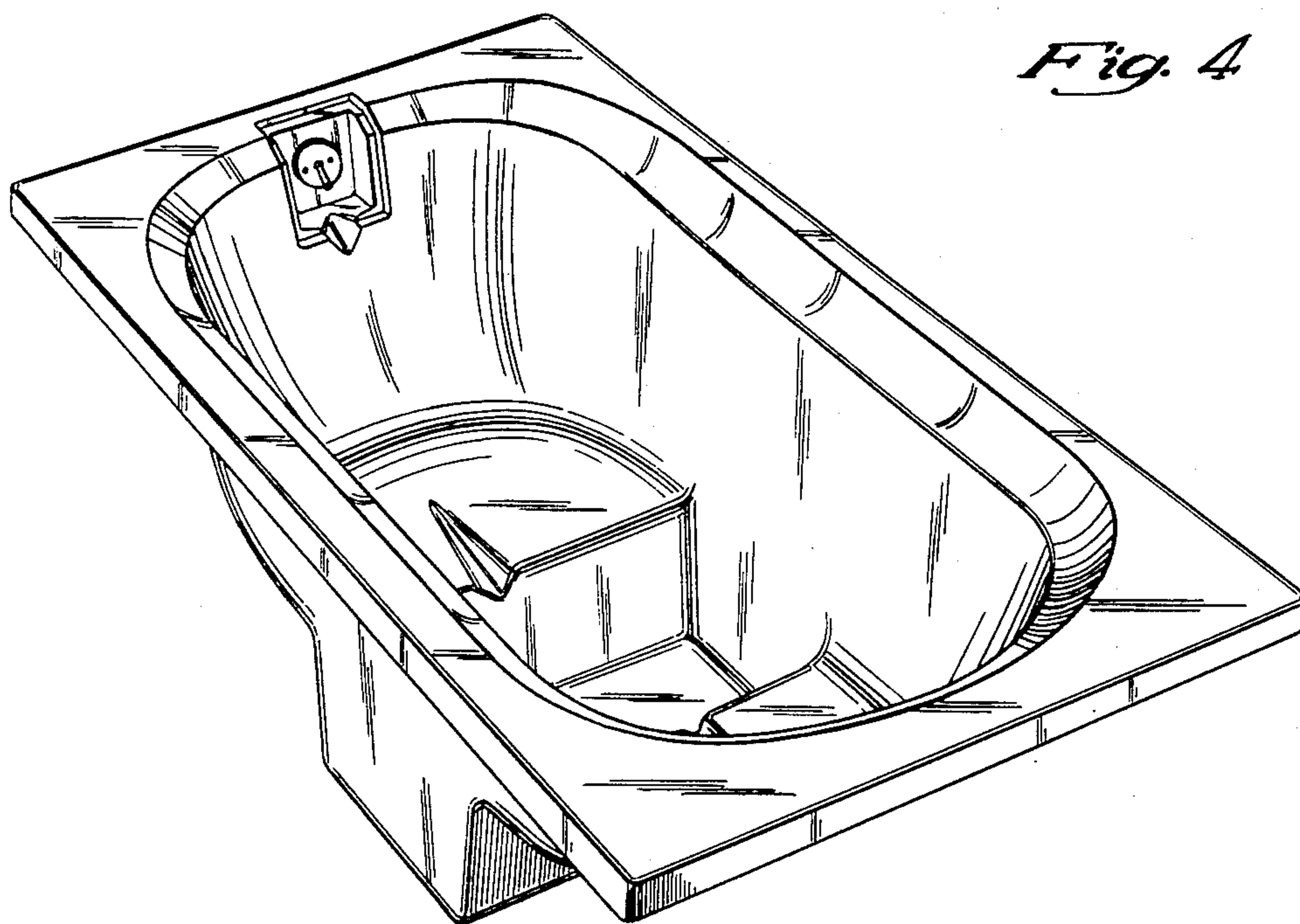


Fig. 5

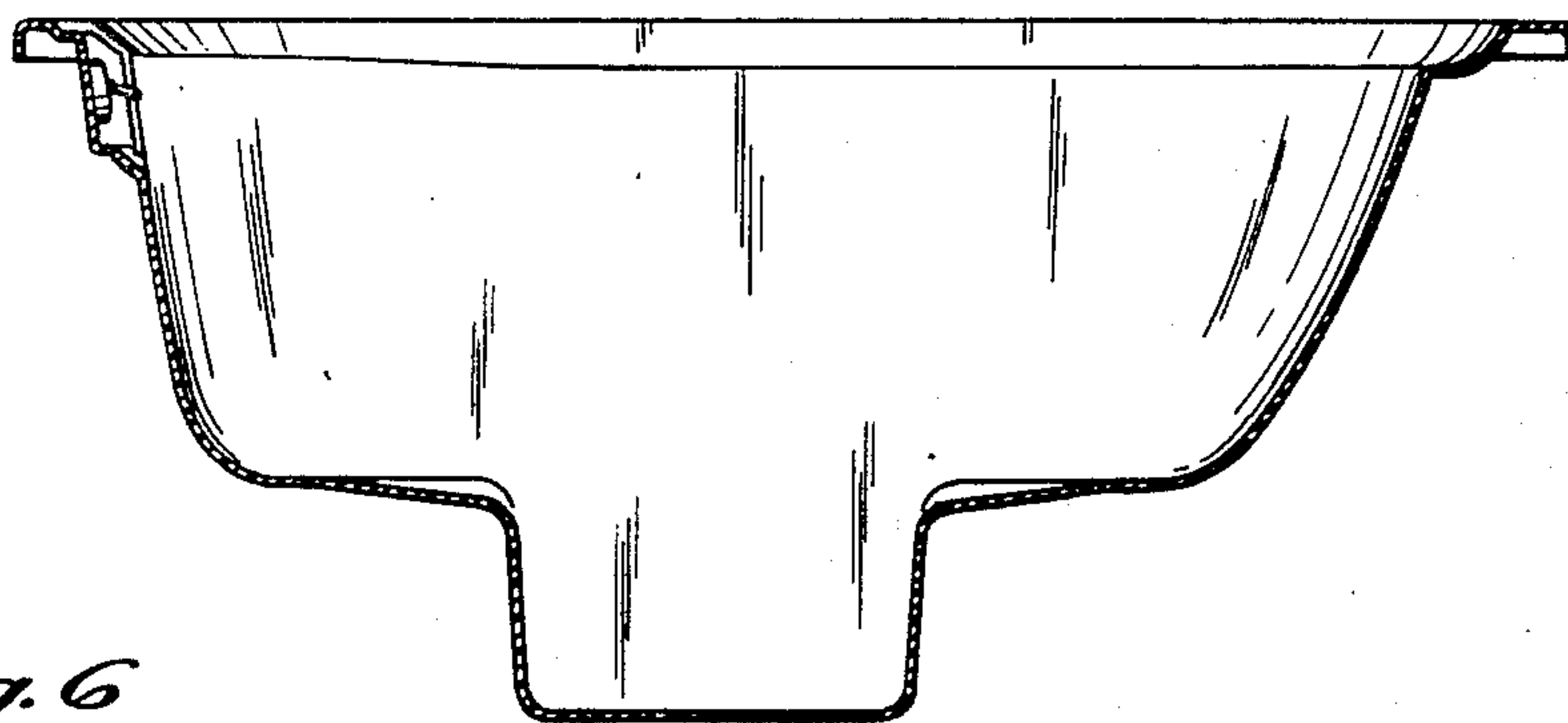
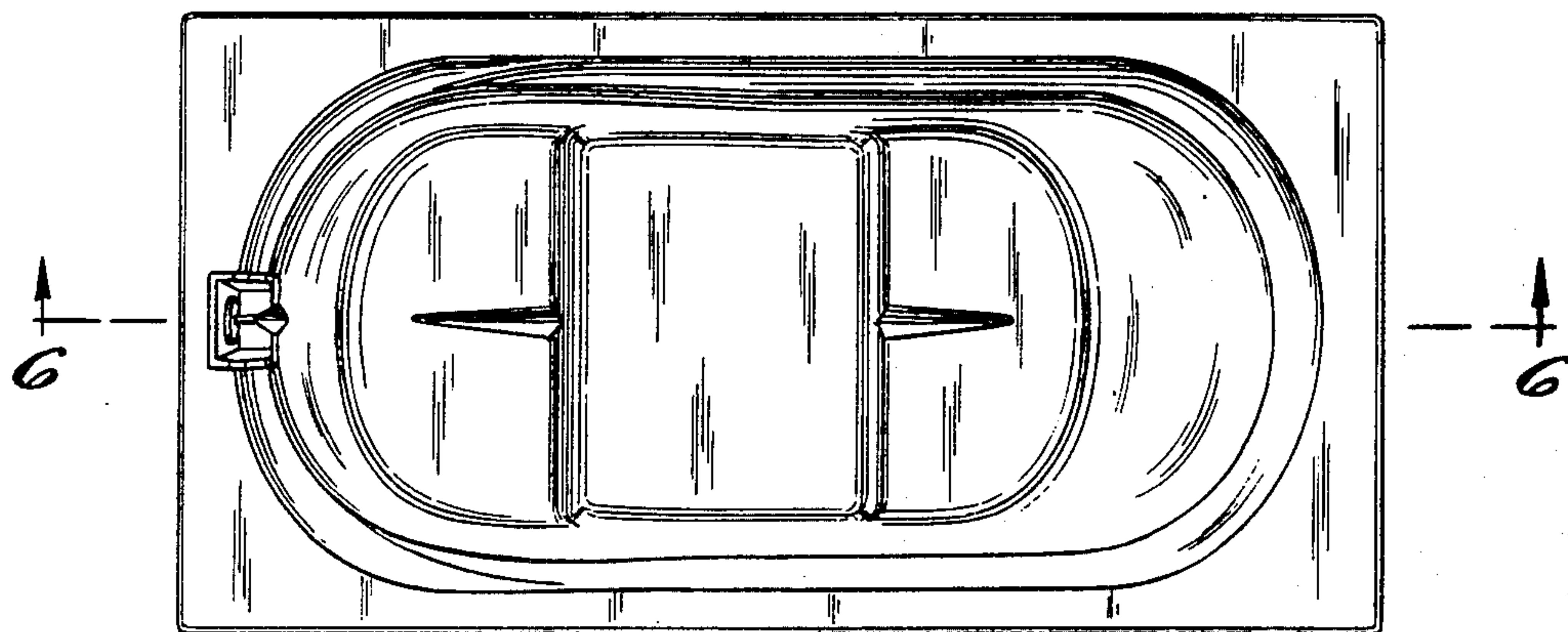


Fig. 6