

[54] BATHTUB

[75] Inventor: William H. Griffiths, St. Albans, England

[73] Assignee: Bonsack Baths (London) Limited, West Midlands, England

[**] Term: 14 Years

[21] Appl. No.: 686,382

[22] Filed: Dec. 26, 1984

[30] Foreign Application Priority Data

Jul. 5, 1984 [GB] United Kingdom 1020737
[52] U.S. Cl. D23/55
[58] Field of Search D23/48, 55, 56; D24/38; 4/538, 584, 575, 576

[56] References Cited

U.S. PATENT DOCUMENTS

D. 243,692 3/1977 Gruber D23/55
D. 267,190 12/1982 Harrison D23/55

OTHER PUBLICATIONS

1981 Sweet's Catalog File, American Whirlpool Products Brochure, Sec. 13.4 c/a/c, p. 2, Grecian Whirlpool Spa.

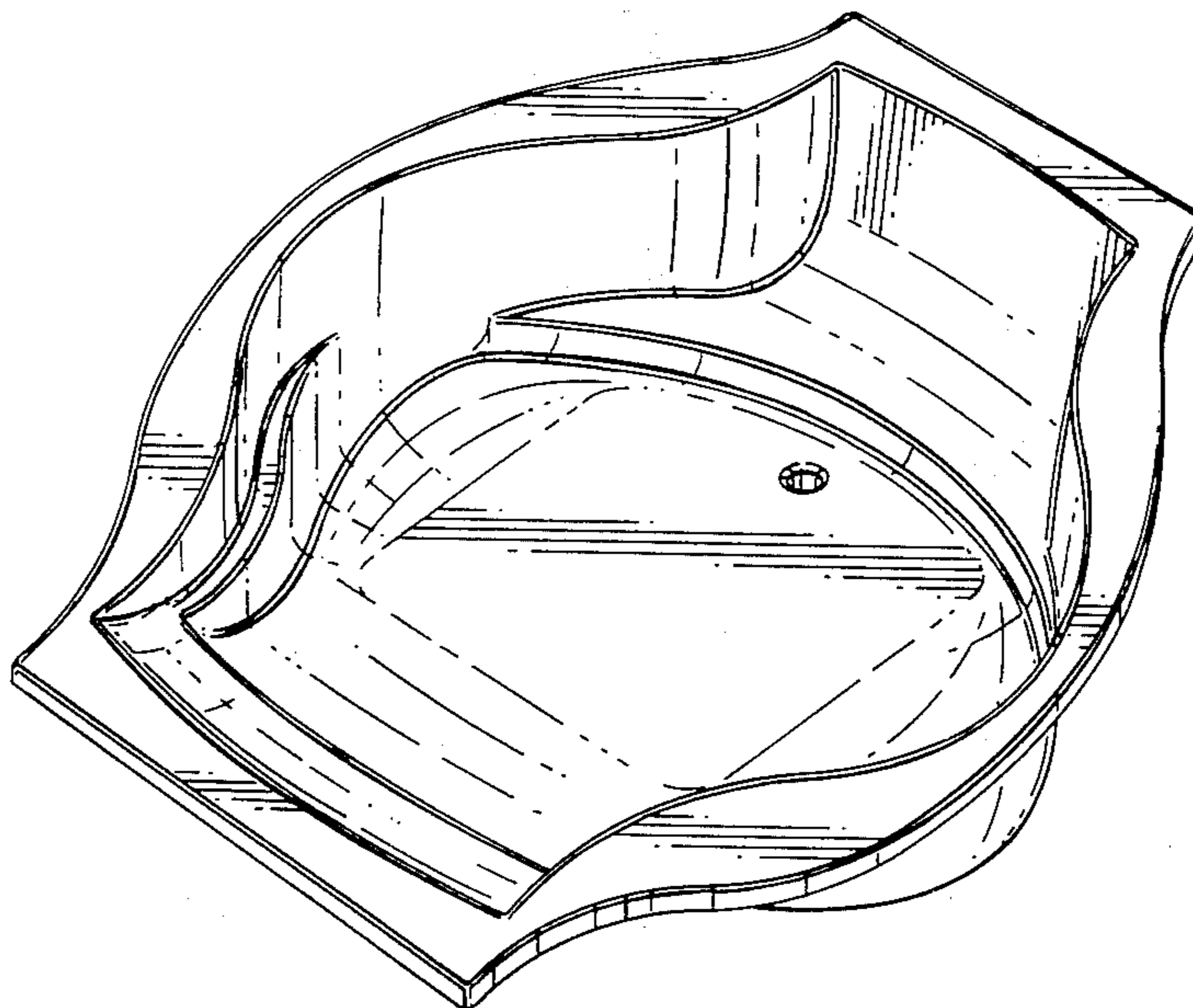
Primary Examiner—James M. Gandy
Attorney, Agent, or Firm—Larson and Taylor

[57] CLAIM

The ornamental design for a bathtub, as shown.

DESCRIPTION

FIG. 1 is a perspective view taken from above and one corner of a bathtub showing my new design; FIG. 2 is a top plan view thereof; FIG. 3 is a sectional view along the line III—III in FIG. 2 looking in the direction of the arrows; and FIG. 4 is a sectional view along the line IV—IV in FIG. 2 looking in the direction of the arrows.



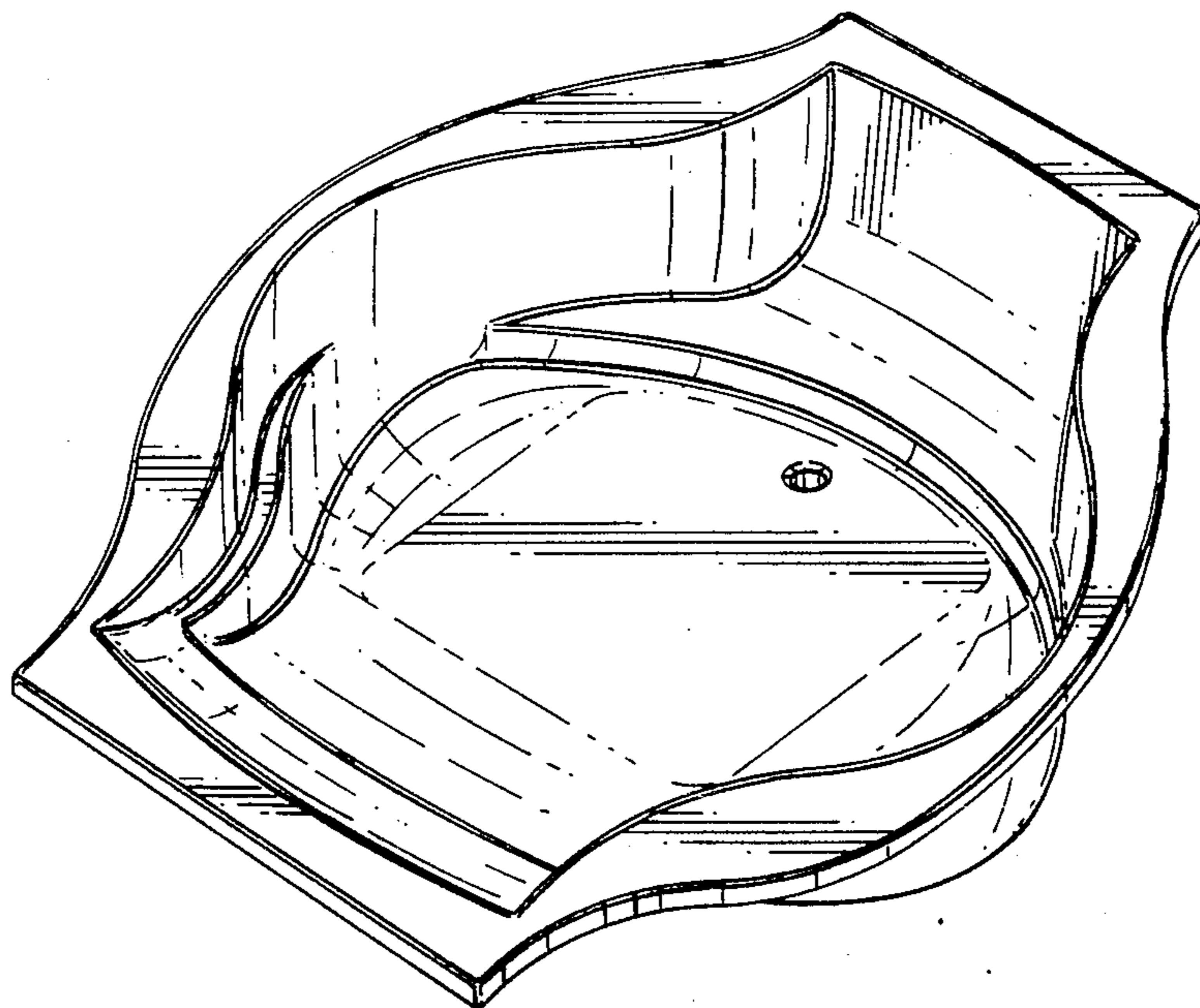


Fig.1.

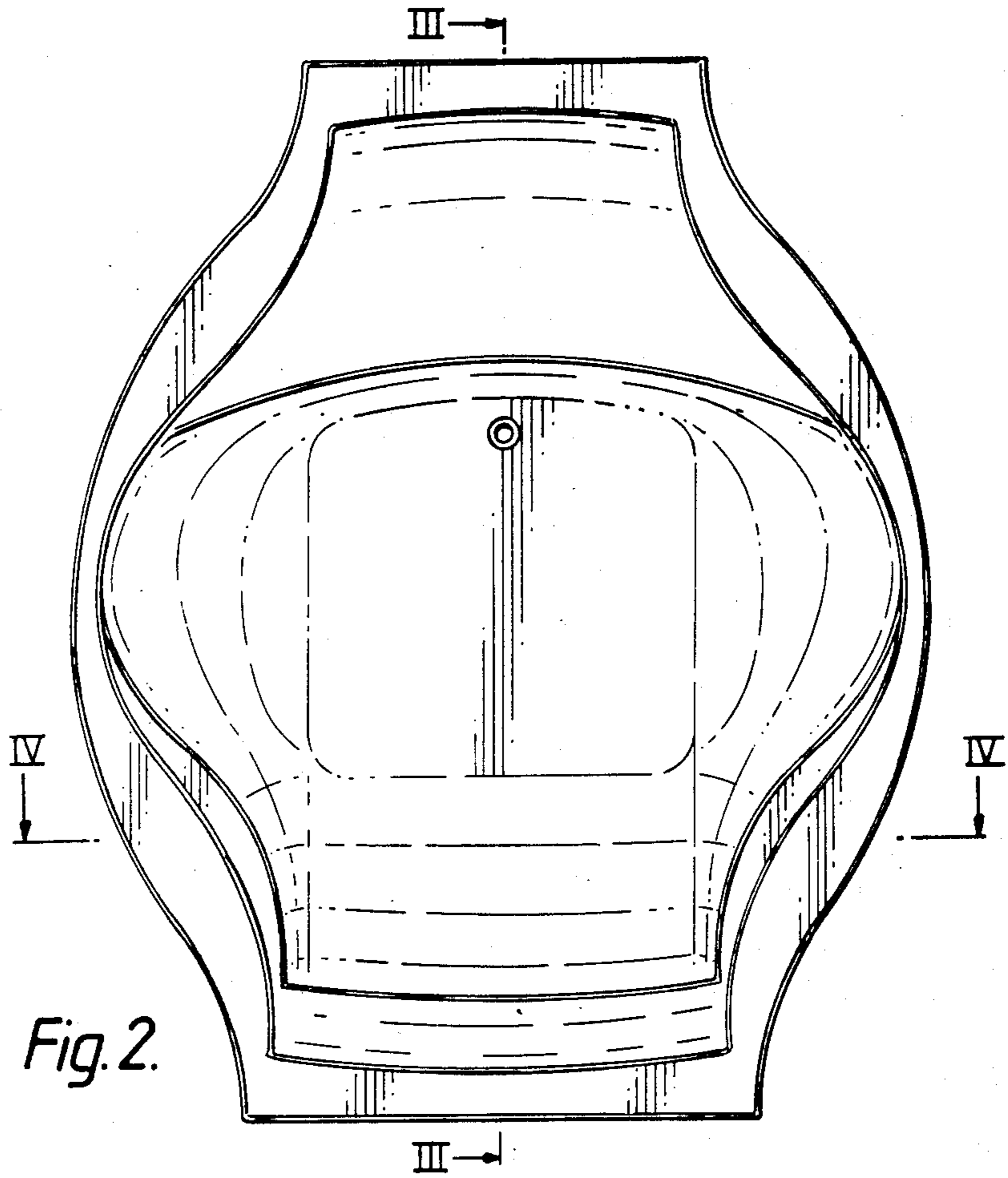


Fig. 2.

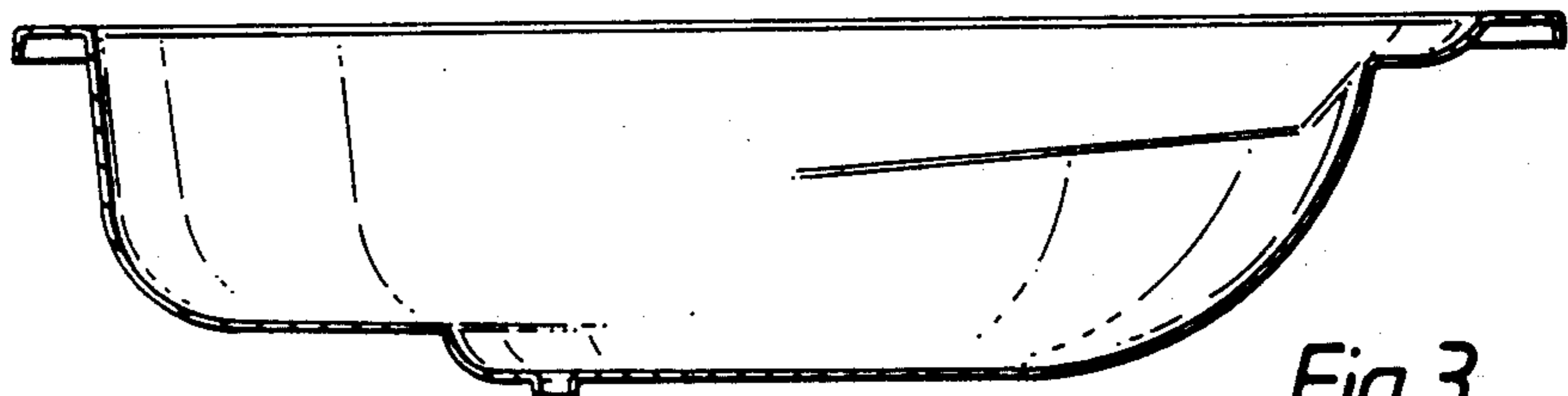


Fig. 3.

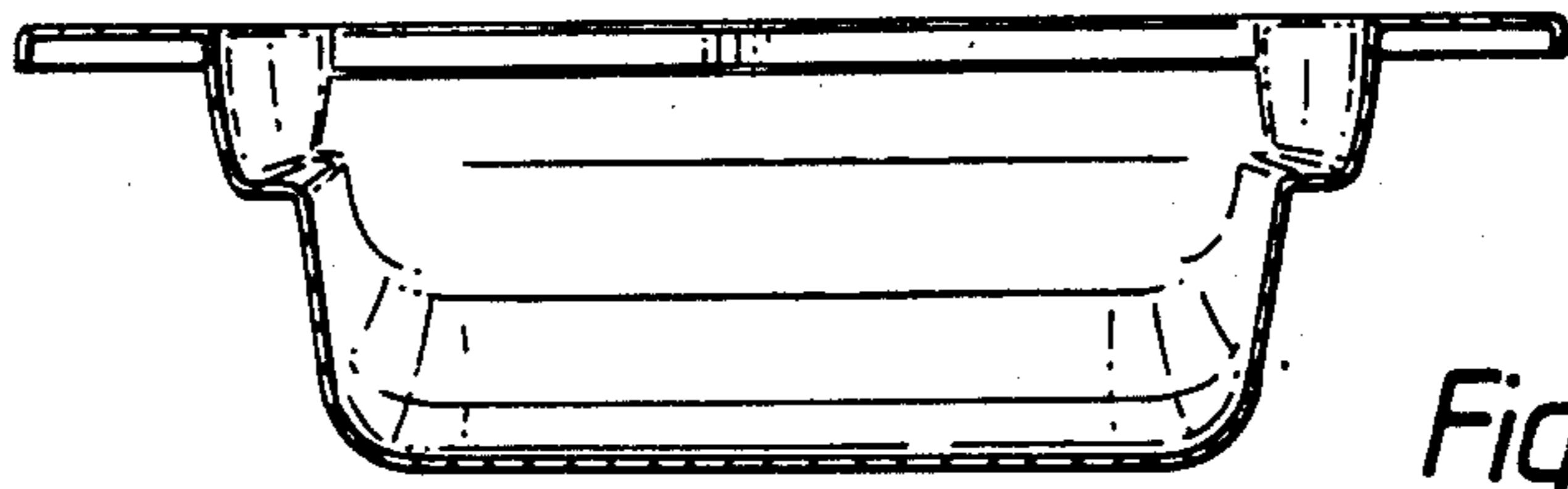


Fig. 4.