

[54] **BATHTUB**

[75] **Inventor: William H. Griffiths, St. Albans, England**

[73] **Assignee: Bonsack Baths (London) Limited, West Midlands, England**

[**] **Term: 14 Years**

[21] **Appl. No.: 686,381**

[22] **Filed: Dec. 26, 1984**

[30] **Foreign Application Priority Data**

Jul. 5, 1984 [GB] United Kingdom 1020738
[52] **U.S. Cl. D23/55**
[58] **Field of Search D23/48, 55, 56; D24/38; 4/538, 584, 575, 576**

[56] **References Cited**

U.S. PATENT DOCUMENTS

D. 225,225 11/1972 Russell D23/55
D. 253,124 10/1979 Primault D23/55
D. 274,641 7/1984 Griffiths D23/55
1,940,514 12/1933 Steinkamp D23/55

OTHER PUBLICATIONS

1981 Sweet's Catalog File, American Whirlpool Products Brochure, Sec. 13.4 c/A/c, p. 1, Dual Emperor & p. 2, Royal Recliner.

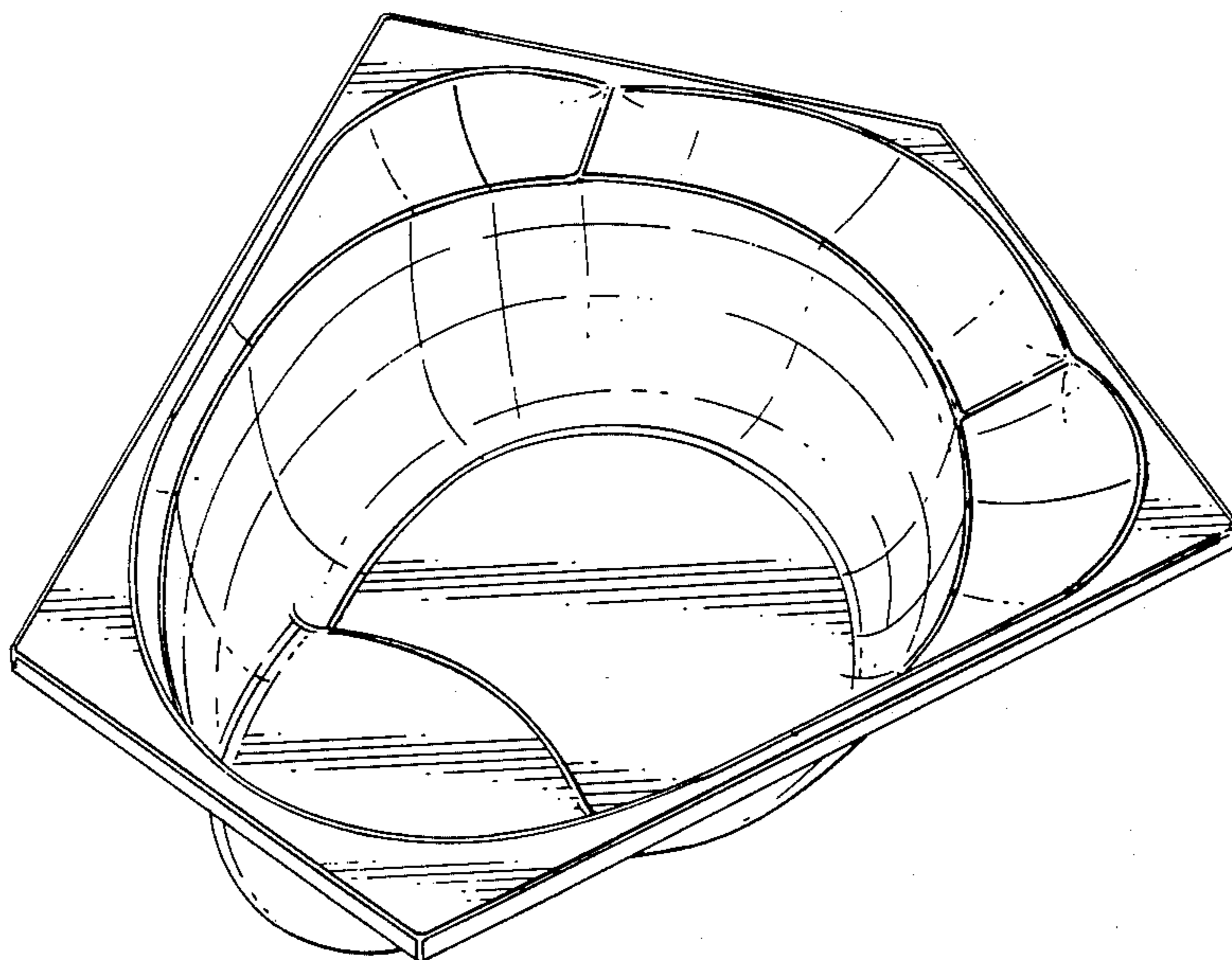
Primary Examiner—James M. Gandy
Attorney, Agent, or Firm—Larson and Taylor

[57] **CLAIM**

The ornamental design for a bathtub, as shown.

DESCRIPTION

FIG. 1 is a perspective view taken from above and one corner of a bathtub showing my new design; FIG. 2 is a top plan view thereof; and FIG. 3 is a sectional view along the line III—III in FIG. 2 looking in the direction of the arrows.



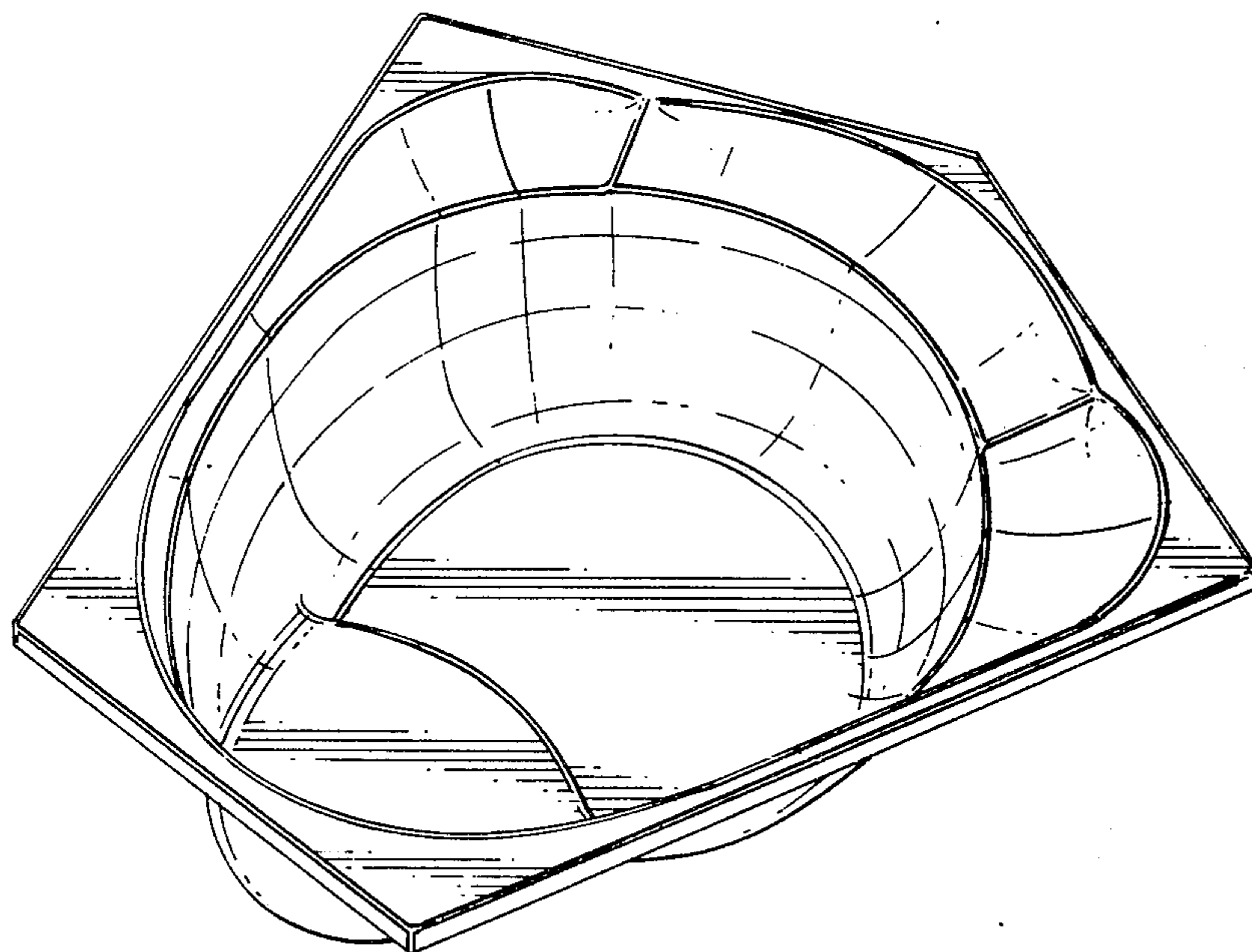
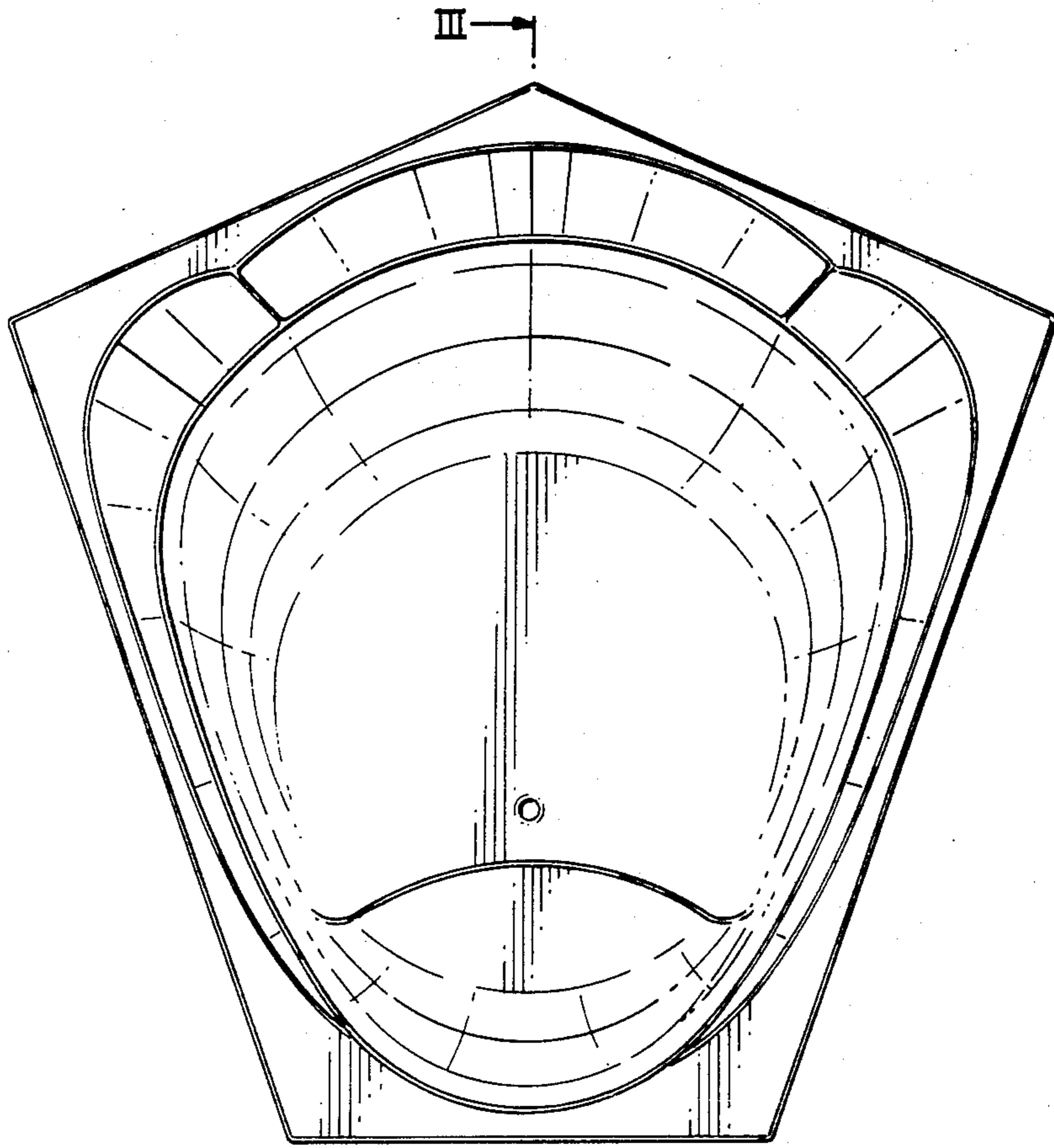


Fig. 1.



III-III
Fig. 2.

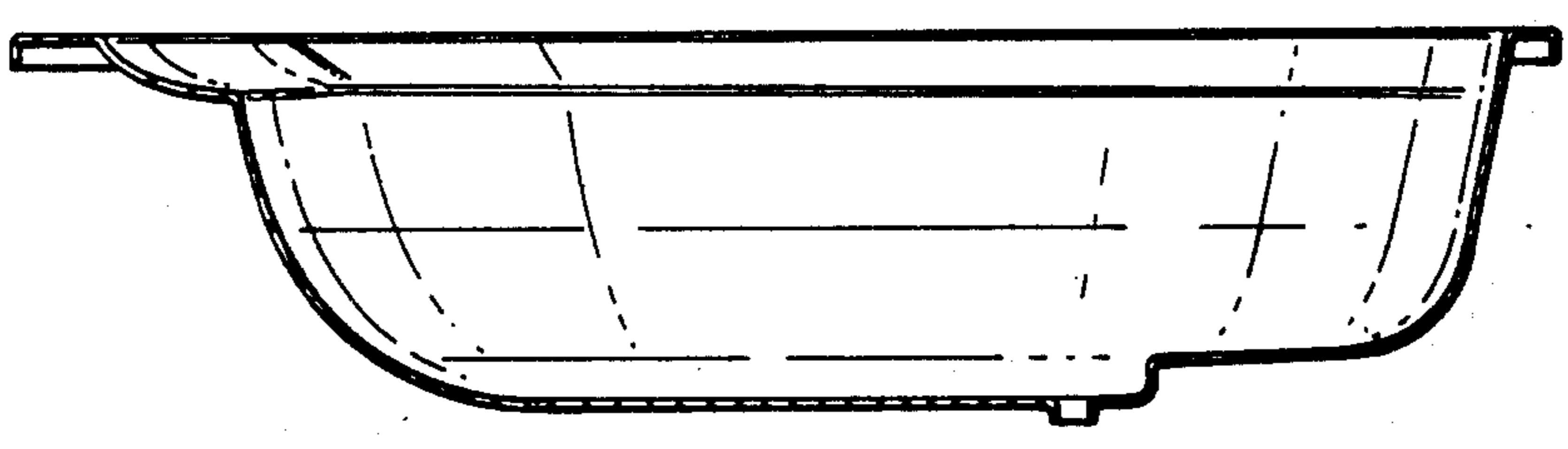


Fig. 3.