

[54] RECONFIGURABLE TOY HAWK

[75] Inventor: Masaki Maruyama, Tokyo, Japan

[73] Assignee: Takara Co., Ltd., Tokyo, Japan

[\*\*] Term: 14 Years

[21] Appl. No.: 616,596

[22] Filed: May 30, 1984

[30] Foreign Application Priority Data

Jan. 31, 1984 [JP] Japan ..... 59-3048  
 [52] U.S. Cl. .... D21/160  
 [58] Field of Search ..... D21/160, 148, 150;  
 446/97, 99, 321, 376, 487

[56] References Cited

U.S. PATENT DOCUMENTS

D. 278,732 5/1985 Ohkado ..... D21/150  
 D. 283,335 4/1986 Matsuda ..... D21/150

FOREIGN PATENT DOCUMENTS

923055 2/1955 Fed. Rep. of Germany .

Primary Examiner—Melvin B. Feifer  
 Attorney, Agent, or Firm—Price, Gess & Ubell

[57] CLAIM

The ornamental design for a reconfigurable toy hawk, substantially as shown and described.

DESCRIPTION

FIG. 1 is a front elevational view of a reconfigurable toy hawk showing my new design;  
 FIG. 2 is a rear elevational view;  
 FIG. 3 is a right elevational side view;  
 FIG. 4 is a left elevational side view;  
 FIG. 5 is a top plan view;  
 FIG. 6 is a bottom plan view;  
 FIG. 7 is a front side perspective view;  
 FIG. 8 is a front side perspective view with additional components added;  
 FIG. 9 is a front side perspective view of the toy being reconfigured;  
 FIG. 10 is a front side perspective view of the toy being reconfigured;  
 FIG. 11 is a front side perspective view of the toy reconfigured into a spherical configuration;  
 FIG. 12 is a front elevational view of the embodiment of FIG. 11;  
 FIG. 13 is a rear elevational view of the embodiment of FIG. 11;  
 FIG. 14 is a right elevational side view which is a mirror image of the left elevational view of the embodiment of FIG. 11;  
 FIG. 15 is a top plan view of the embodiment of FIG. 11; and  
 FIG. 16 is a bottom plan view of the embodiment of FIG. 11.

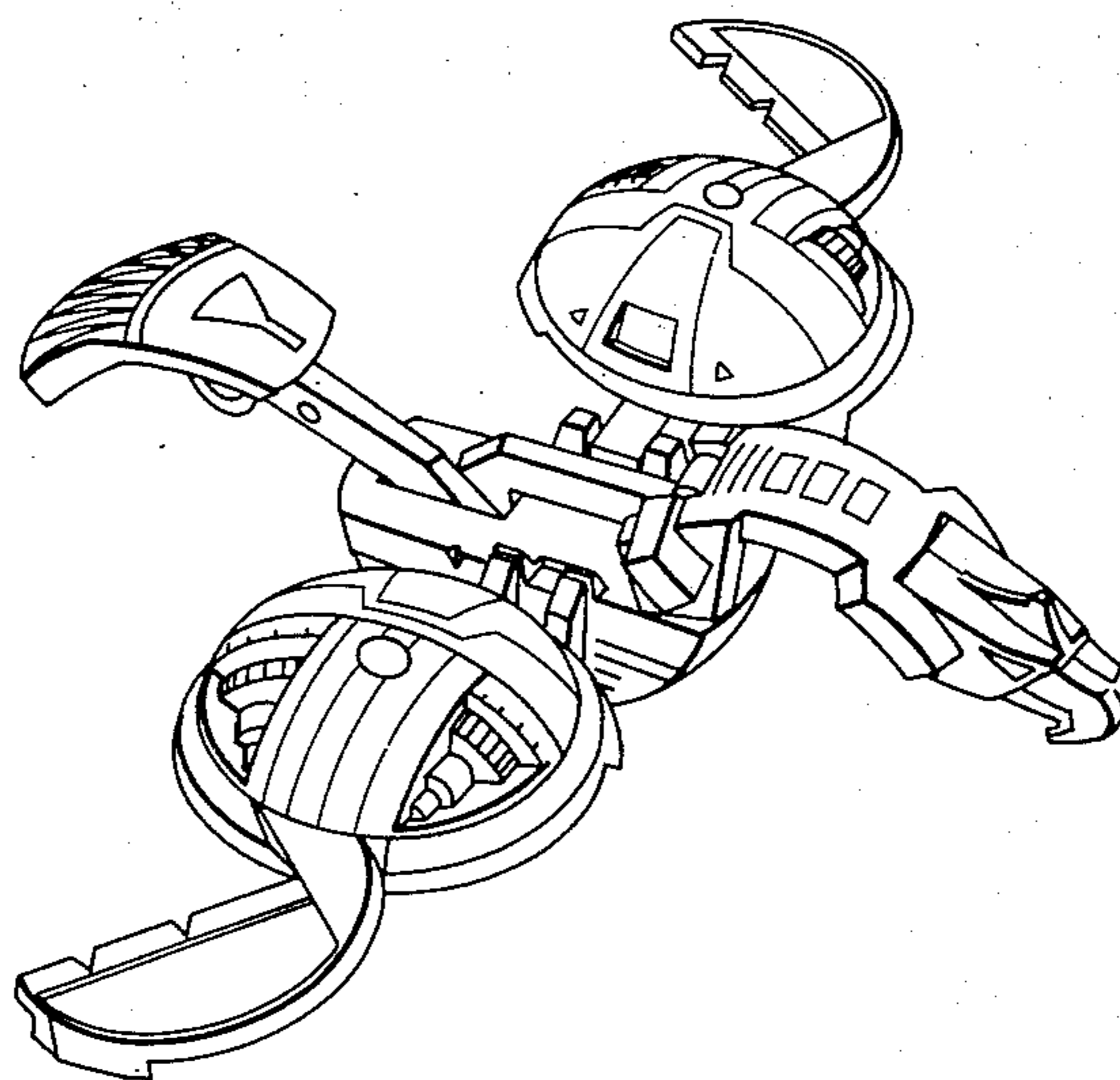


FIG. 1

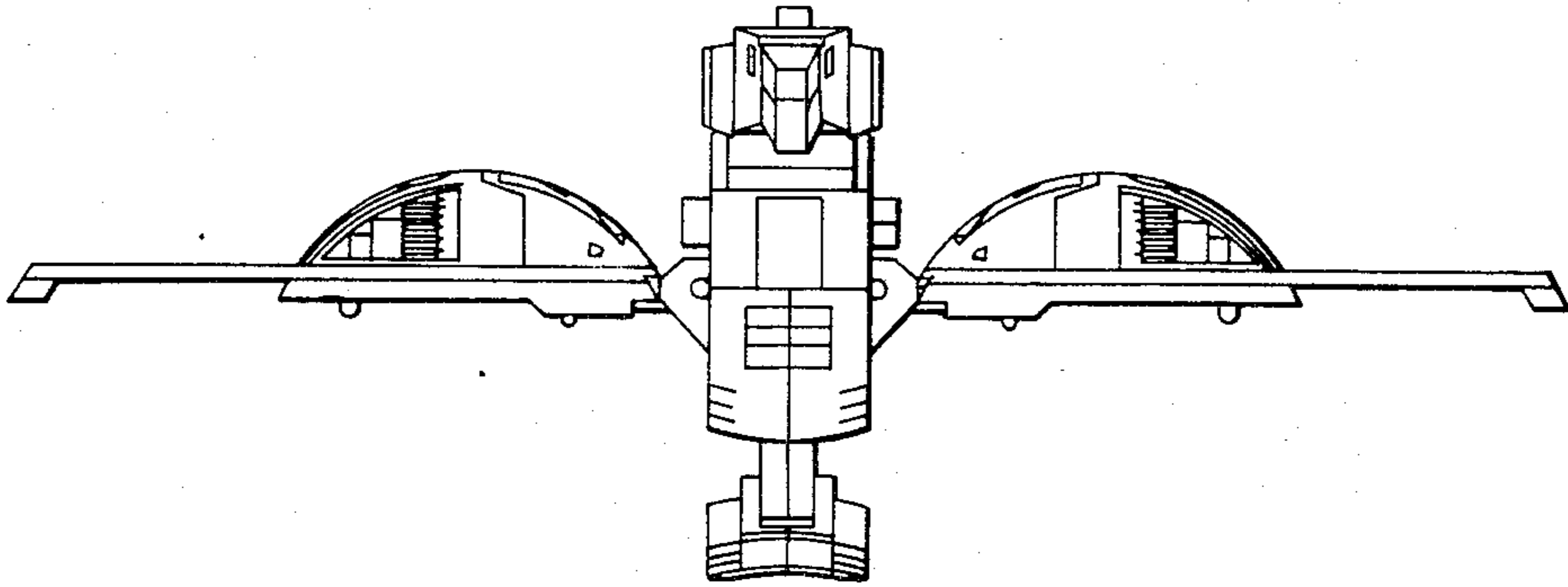


FIG. 2

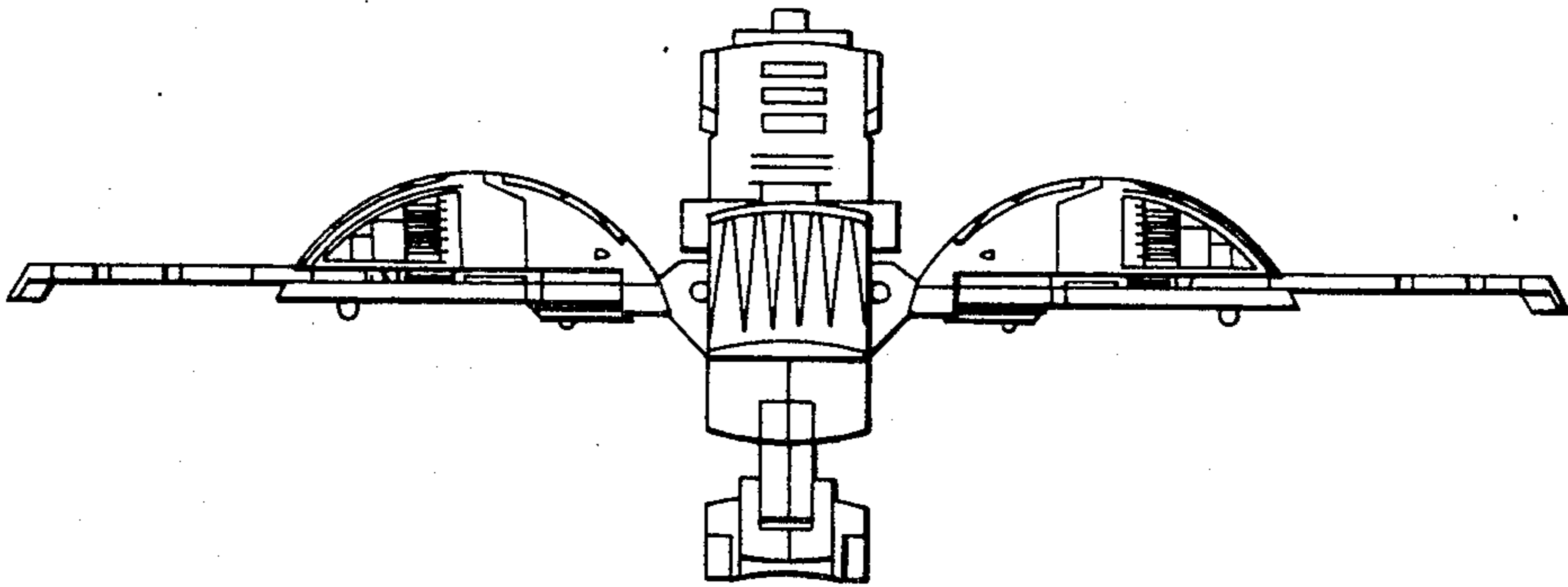


FIG.3

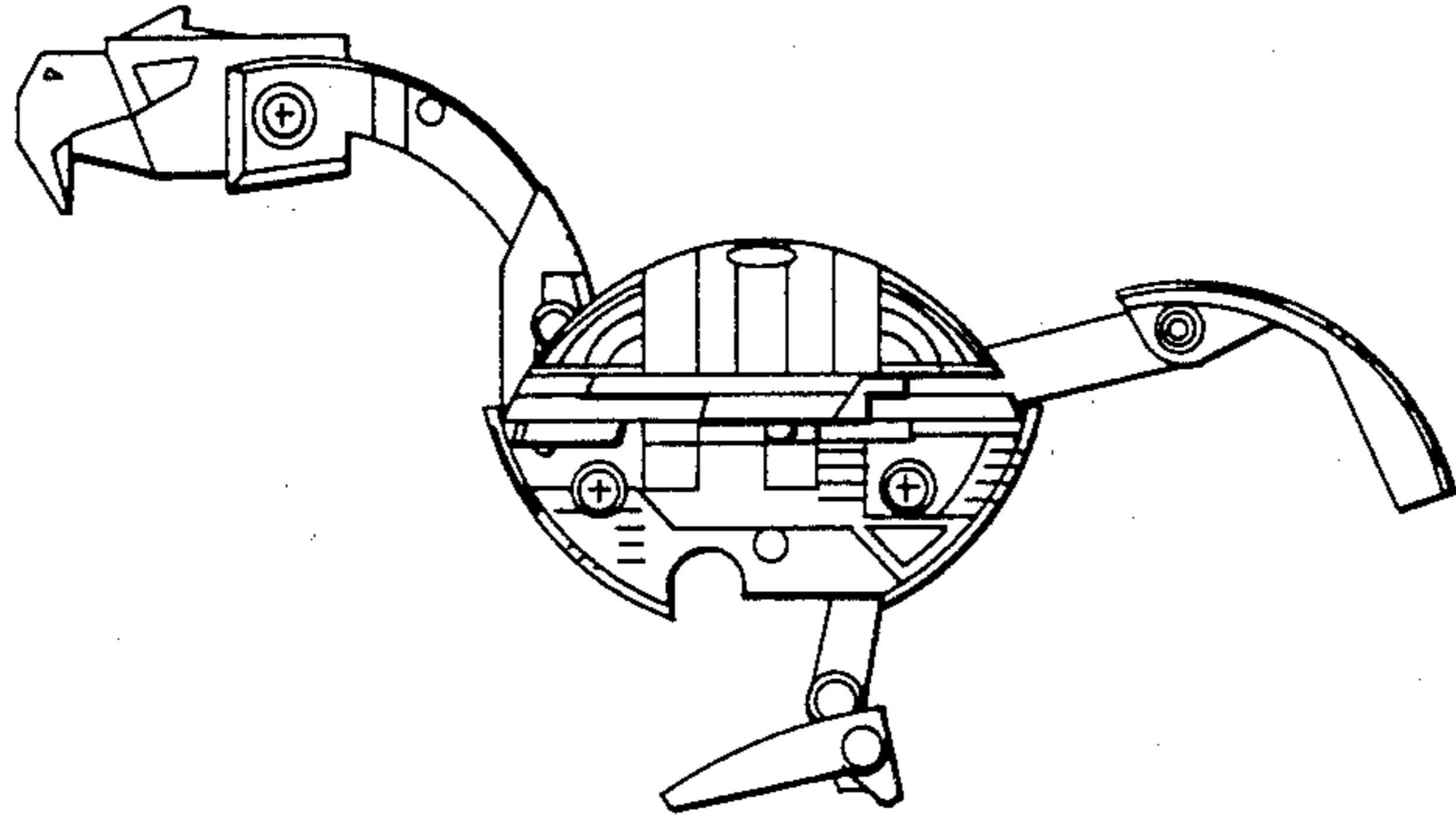


FIG.4

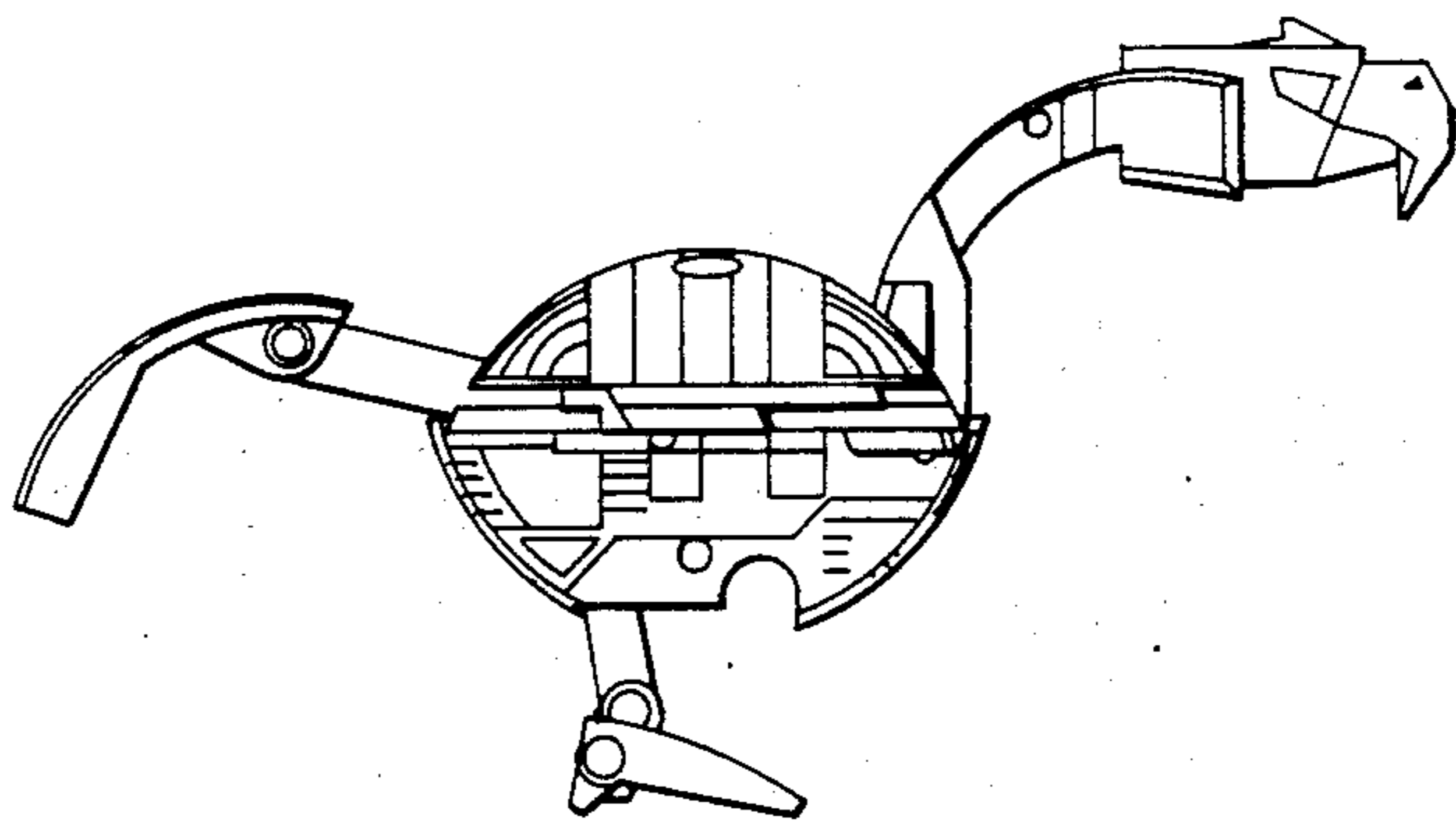


FIG.5

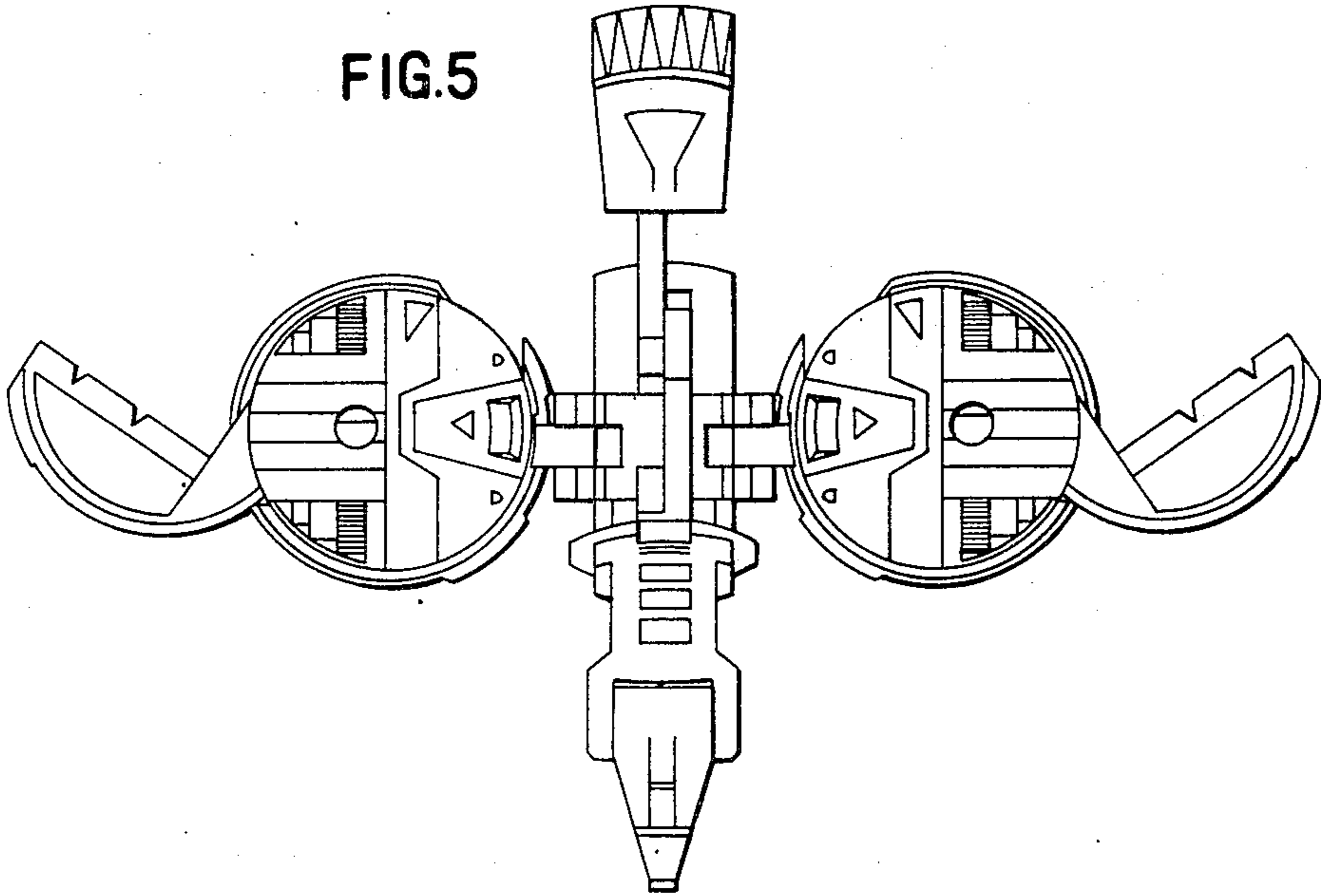


FIG.6

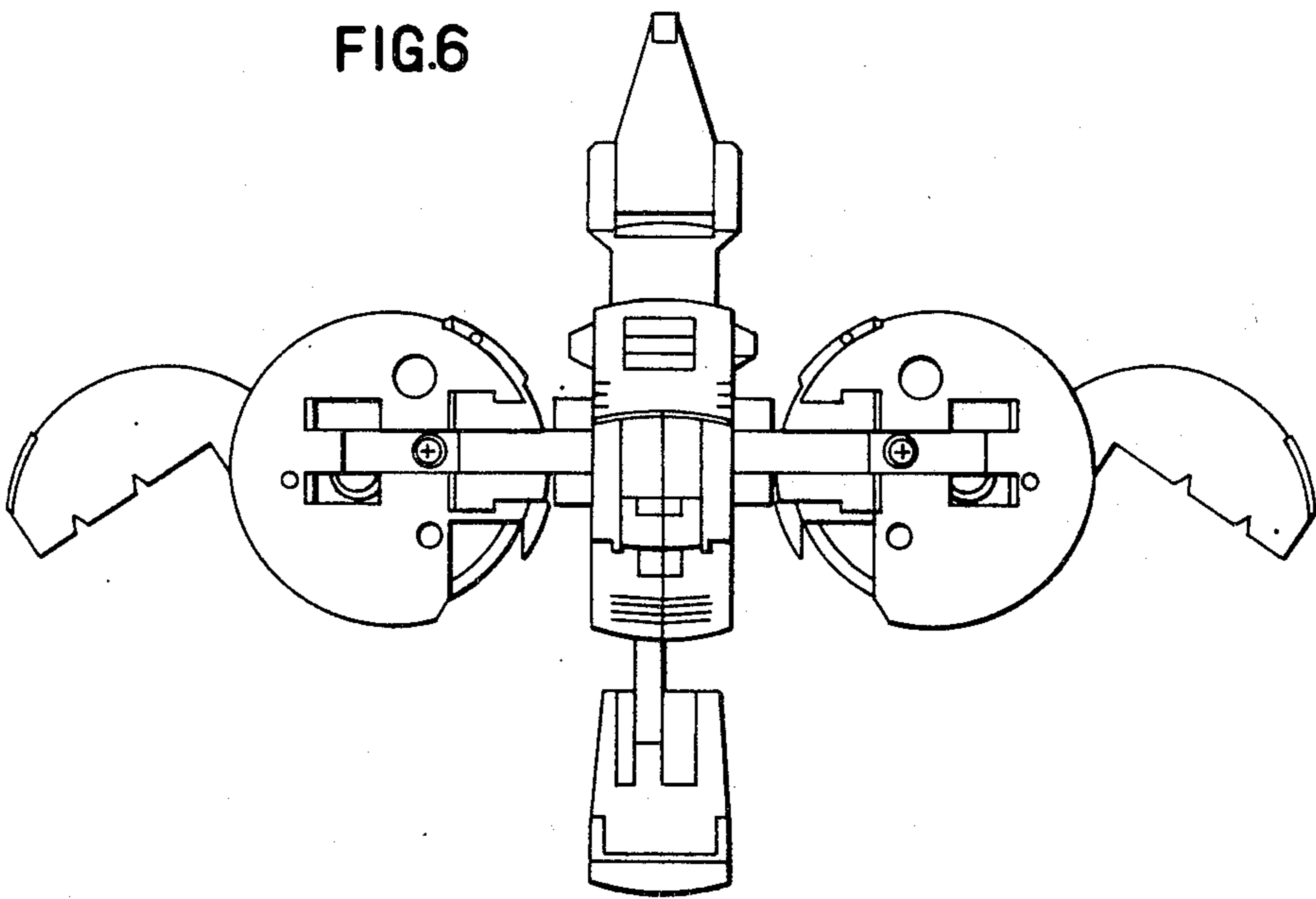


FIG.7

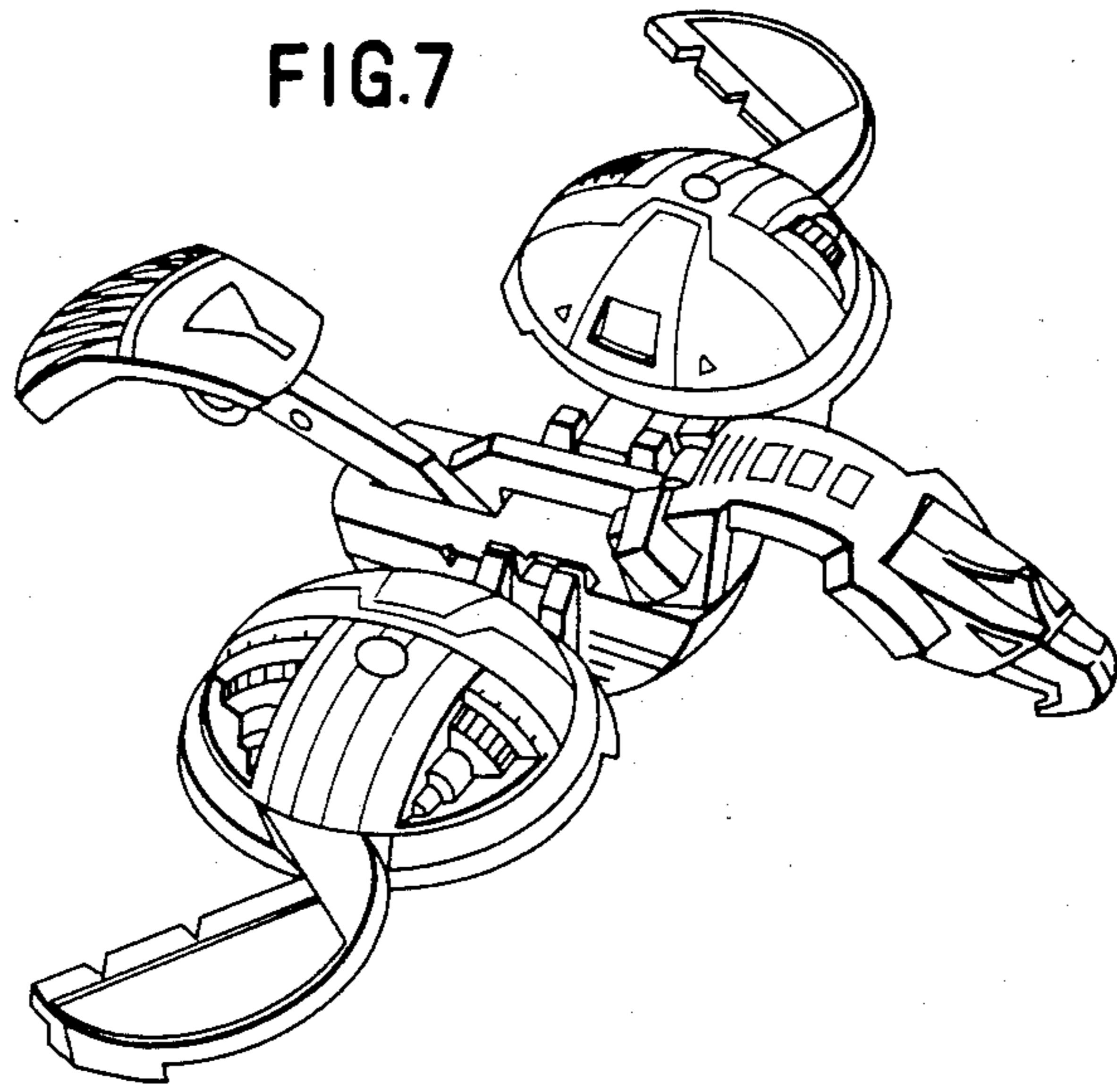


FIG.8

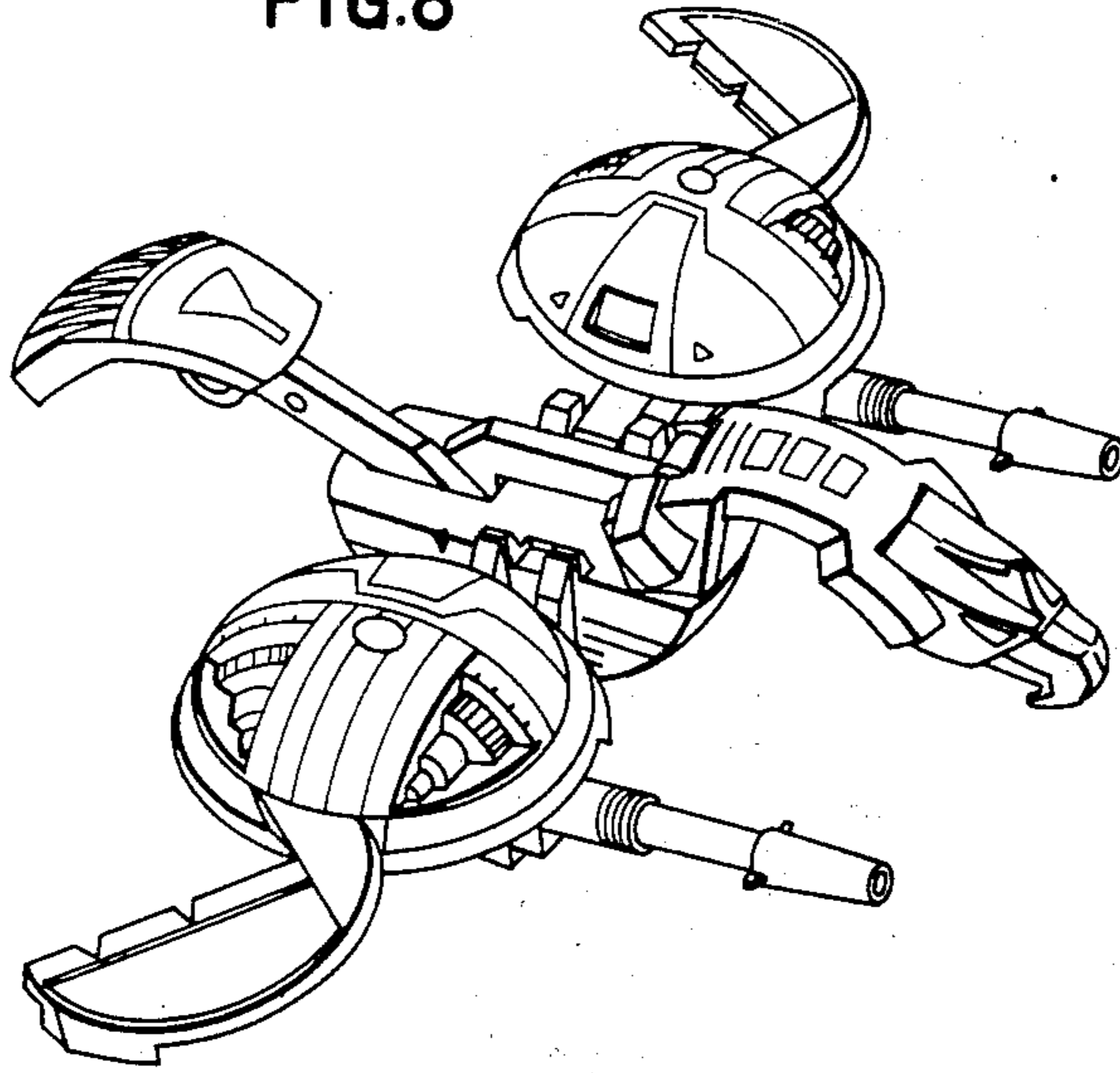


FIG.9

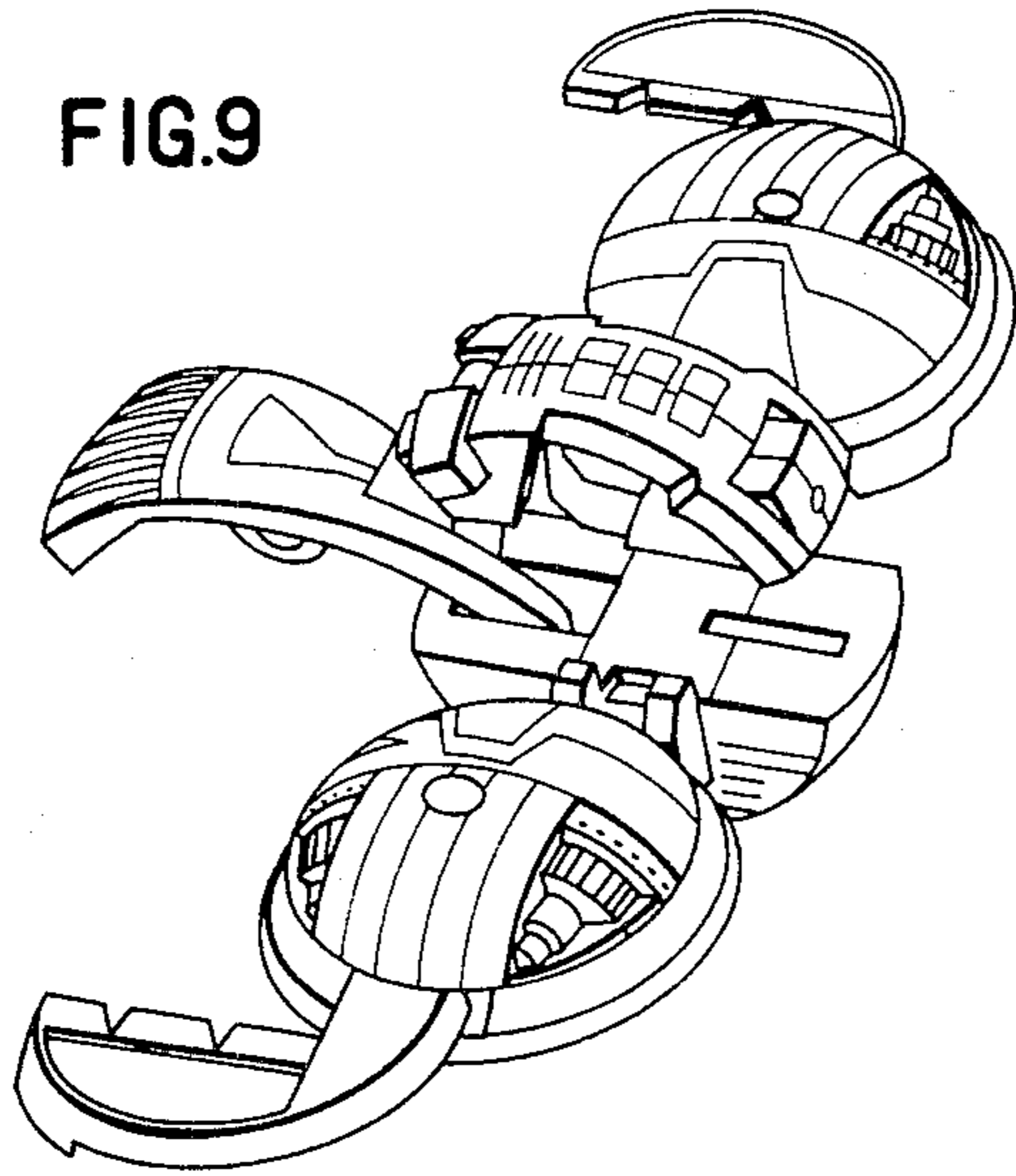


FIG.10

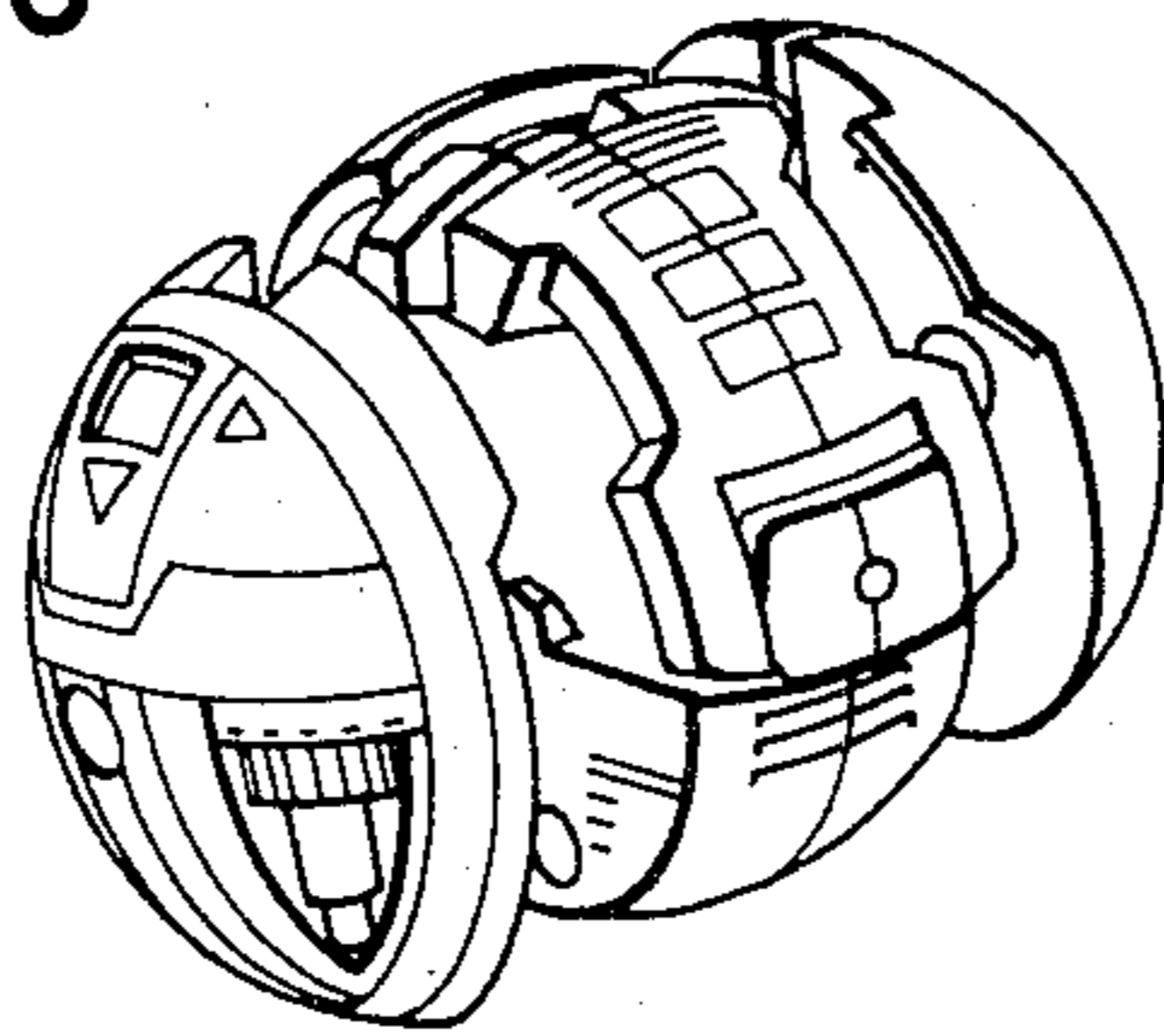


FIG.11

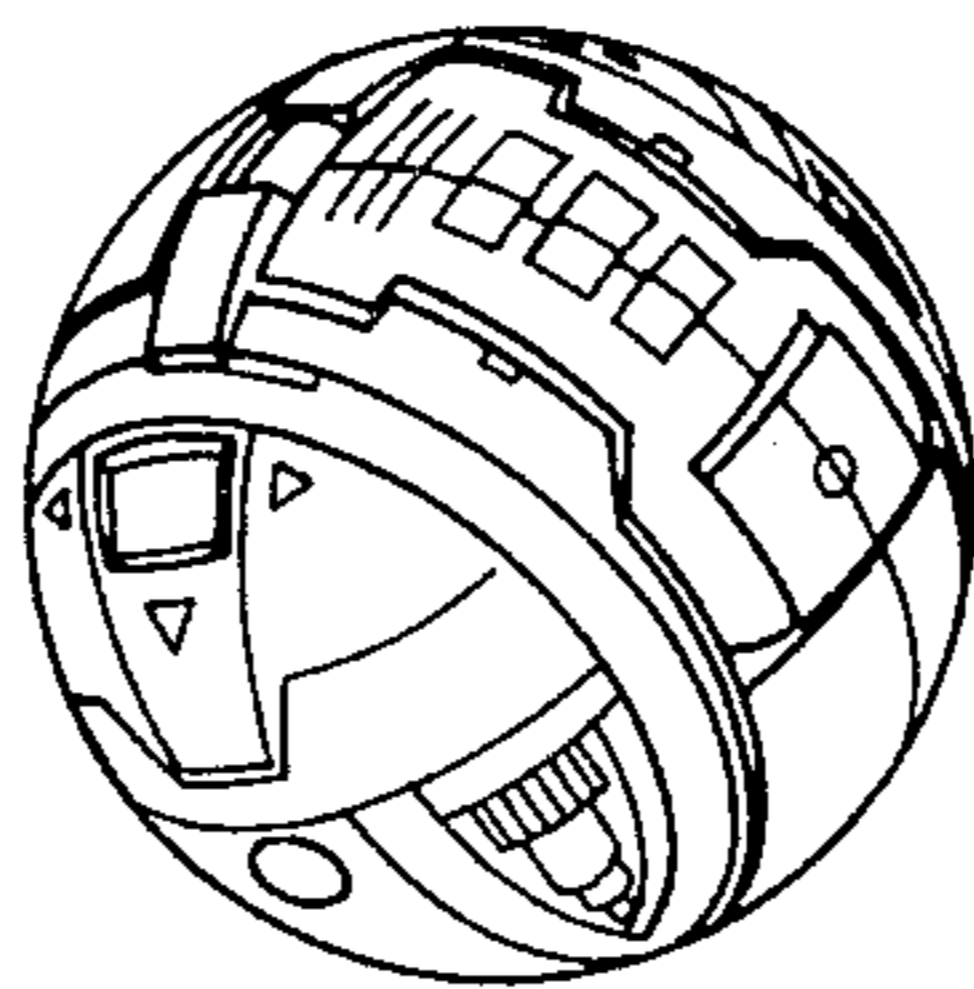


FIG.12

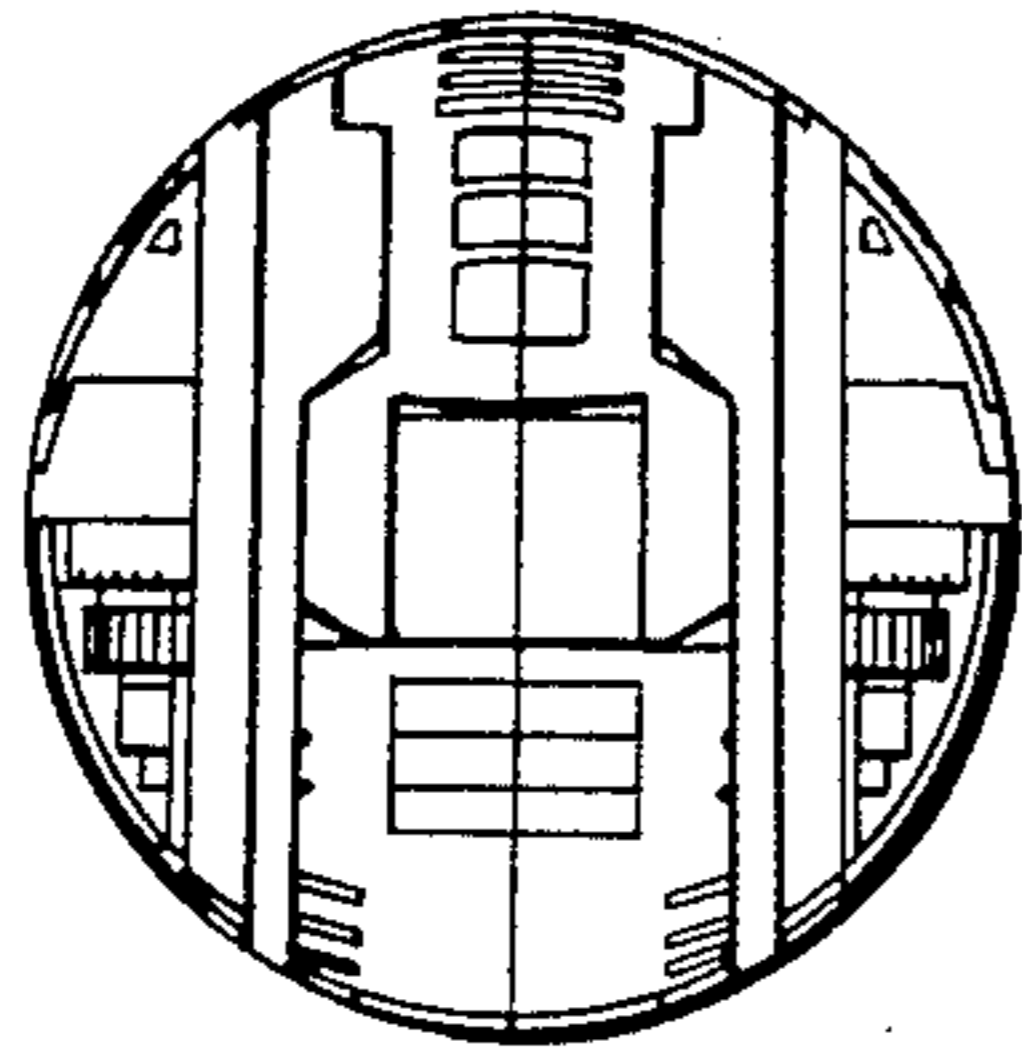


FIG.13

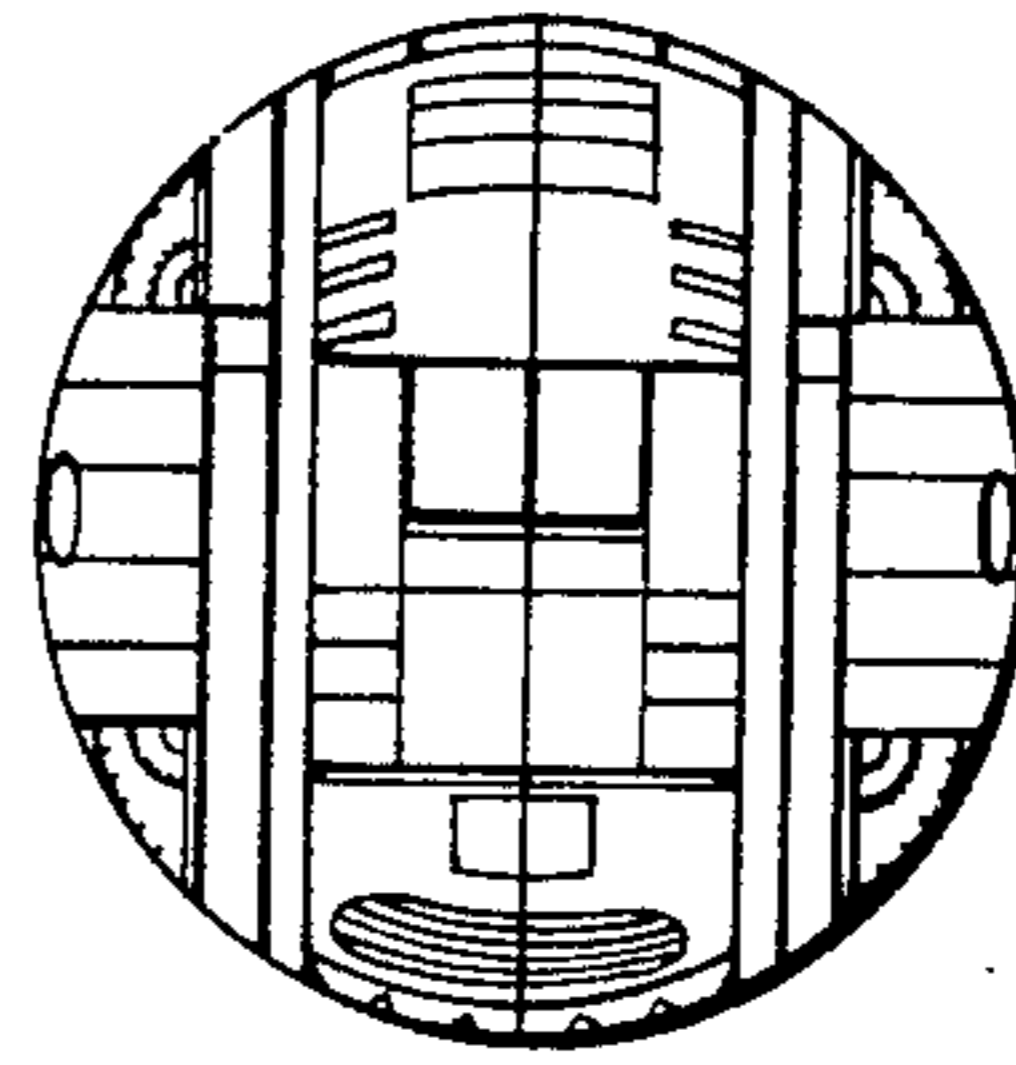


FIG.14

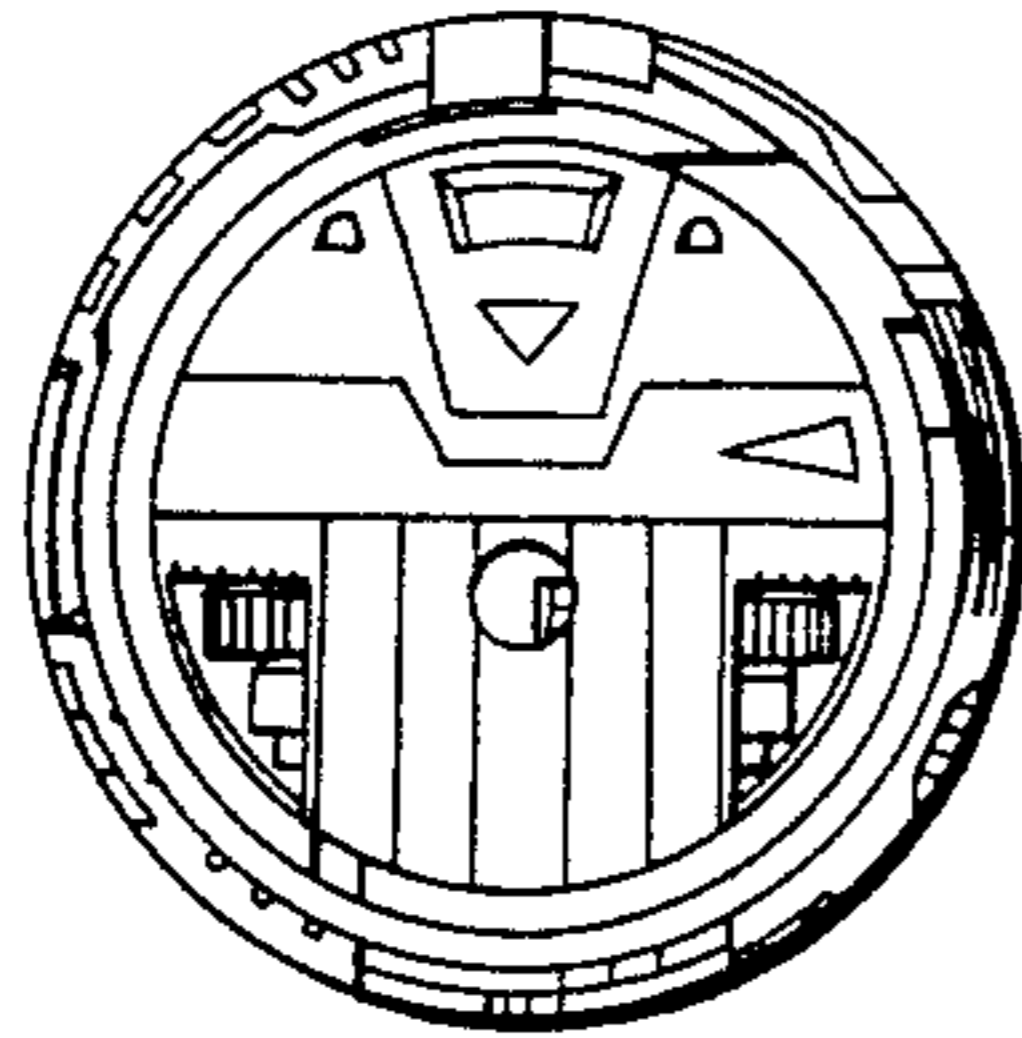


FIG.15

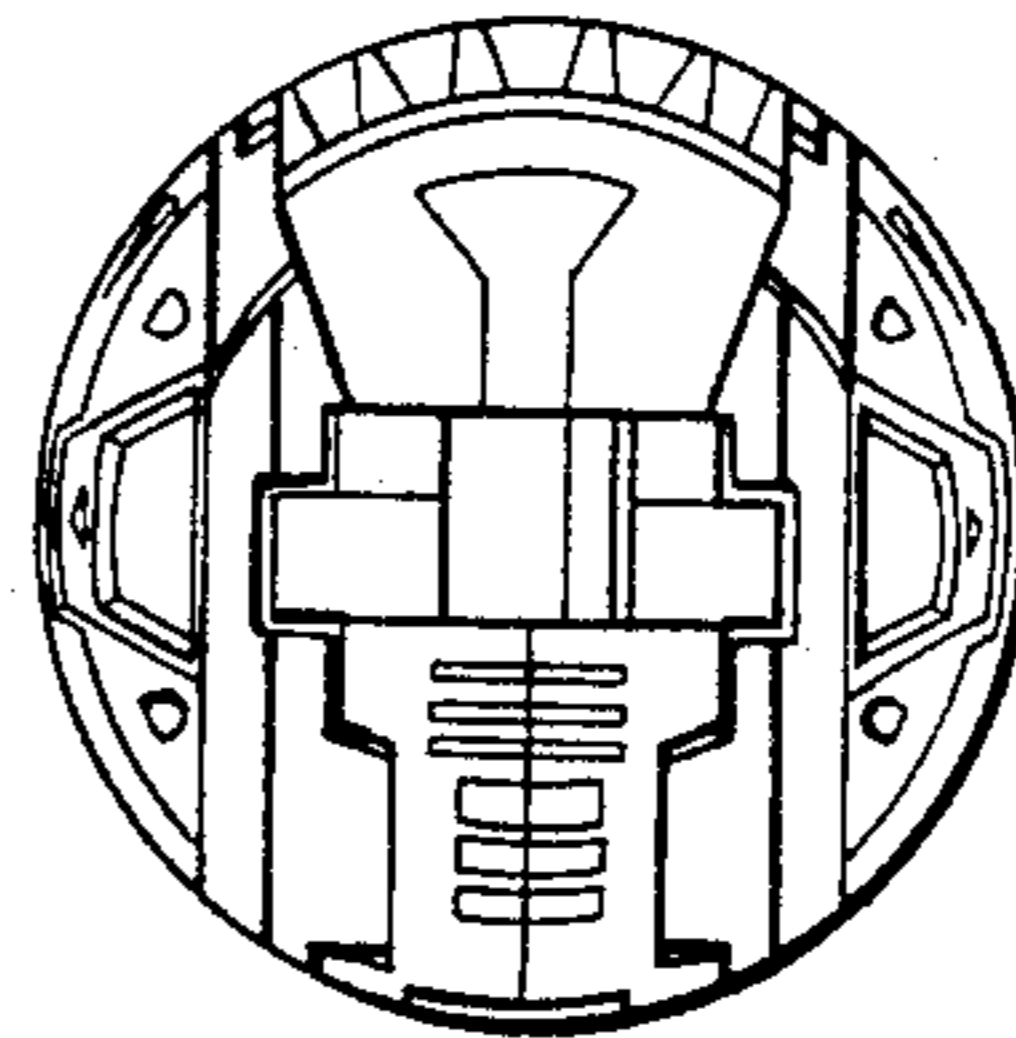


FIG.16

