

[54] TOY TRUCK

[75] Inventor: Robert C. Fisher, East Aurora, N.Y.

[73] Assignee: The Quaker Oats Company, Chicago, Ill.

[\*\*] Term: 14 Years

[21] Appl. No.: 576,268

[22] Filed: Feb. 2, 1984

[52] U.S. Cl. .... D21/140

[58] Field of Search ..... D21/71, 74, 76, 78, D21/79, 80, 128, 132, 133, 134, 135, 136, 137, 139, 140; 446/78, 434, 445, 447, 451, 454, 456, 465, 470

[56] References Cited

U.S. PATENT DOCUMENTS

D. 156,245	11/1949	Josefsberg	.....	D21/135
D. 230,754	3/1974	Oberlander	.....	D21/135
D. 245,280	8/1977	Chesler	.....	D21/134
D. 252,892	9/1979	Shigenori	.....	D21/134

OTHER PUBLICATIONS

Playthings, 2-1983, p. 201, "Heavy Haulers" Toy Truck.

Playthings, 6-1983, p. 49, Toy Tractor Trailers at bottom of page.

Primary Examiner—Charles A. Rademaker  
Attorney, Agent, or Firm—Cumpston & Shaw

[57] CLAIM

The ornamental design for a toy truck, substantially as shown and described.

DESCRIPTION

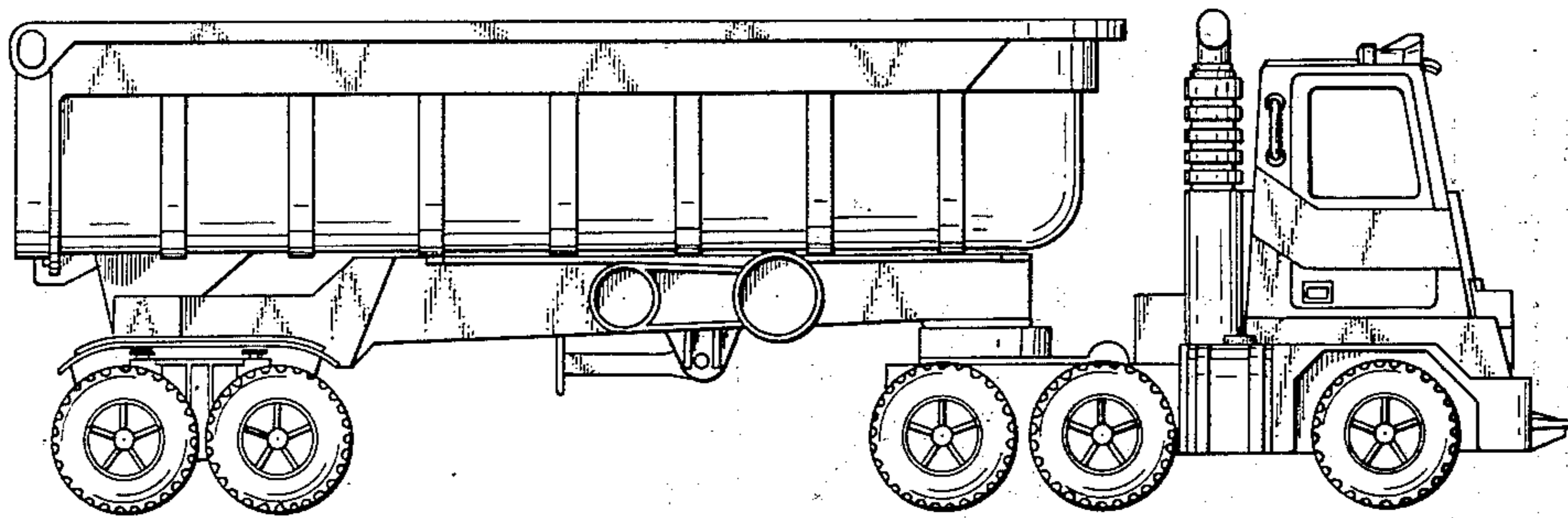
FIG. 1 is a right-side elevational view of a toy truck showing my new design, the left side being substantially a mirror image thereof, except that the centrally located handle is omitted;

FIG. 2 is a top plan view thereof;

FIG. 3 is a front elevational view thereof;

FIG. 4 is a rear elevational view thereof; and

FIG. 5 is a bottom plan view thereof.



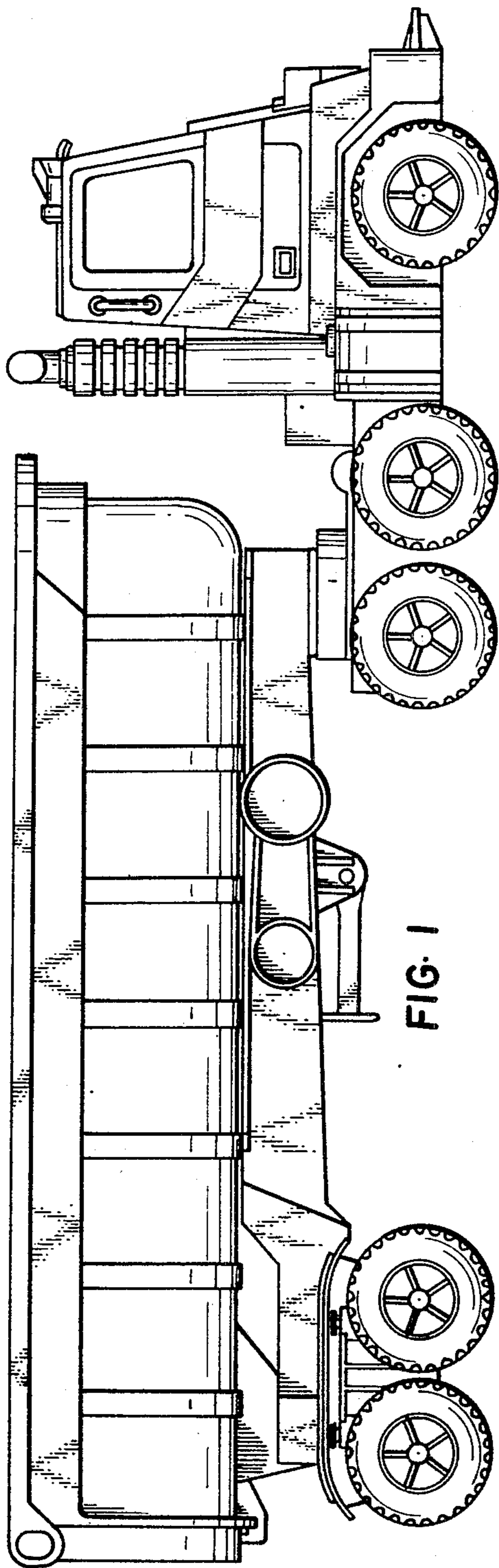


FIG. 1

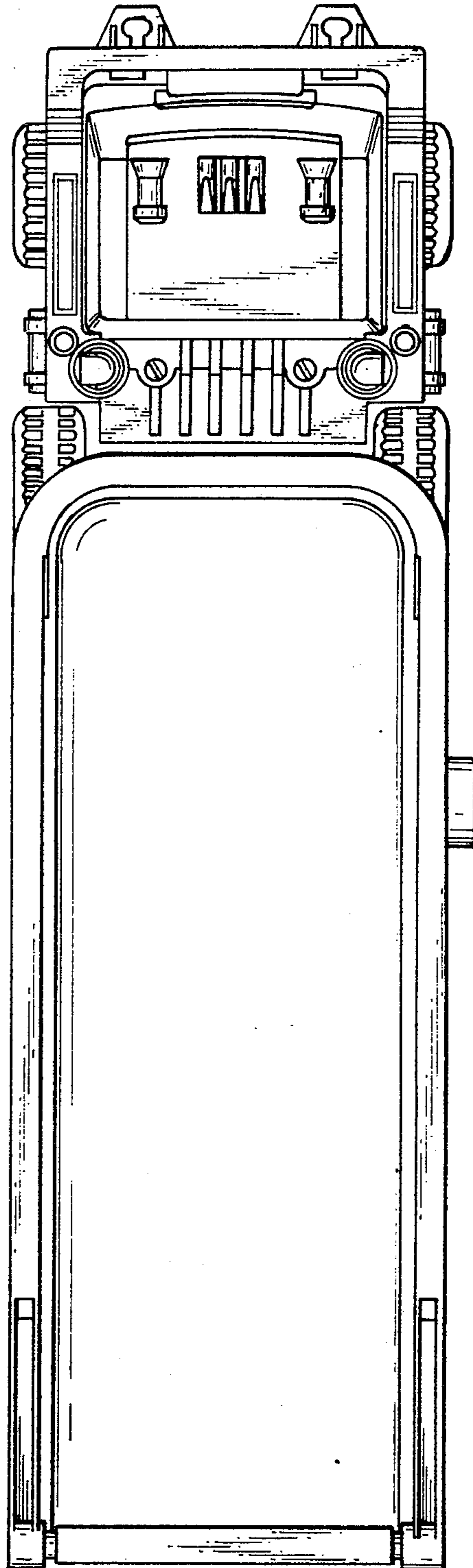


FIG. 2

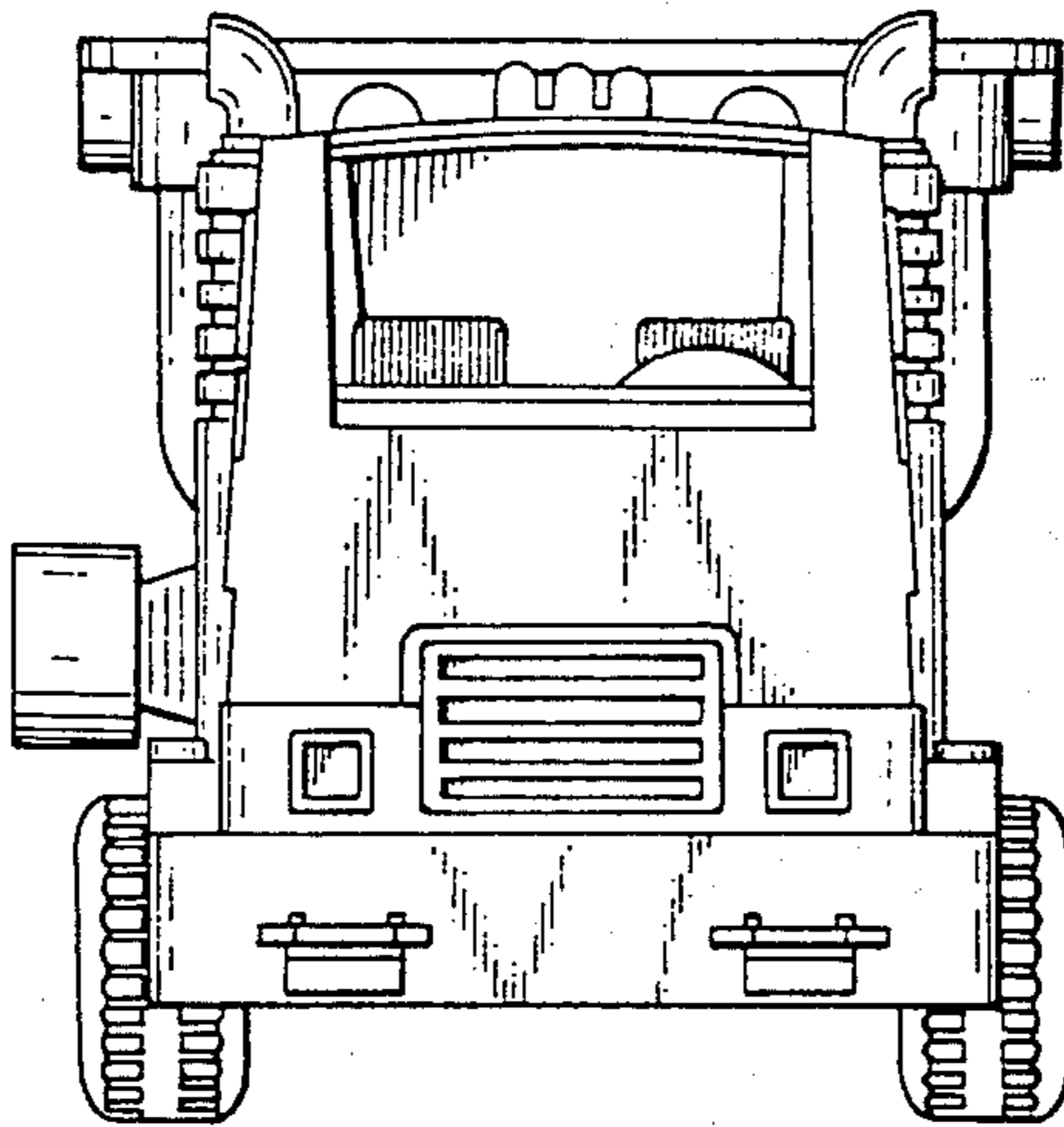


FIG. 3

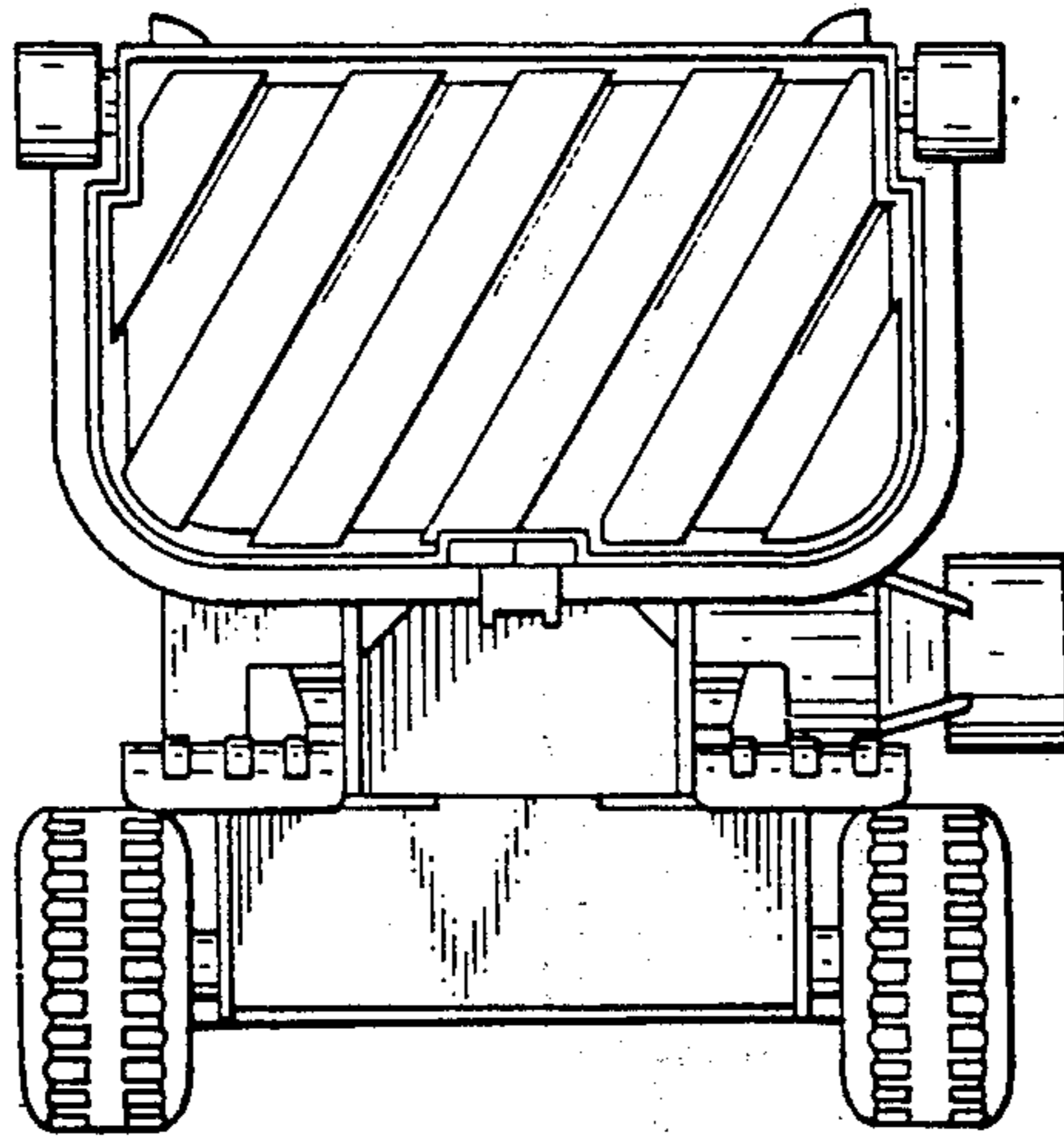


FIG. 4

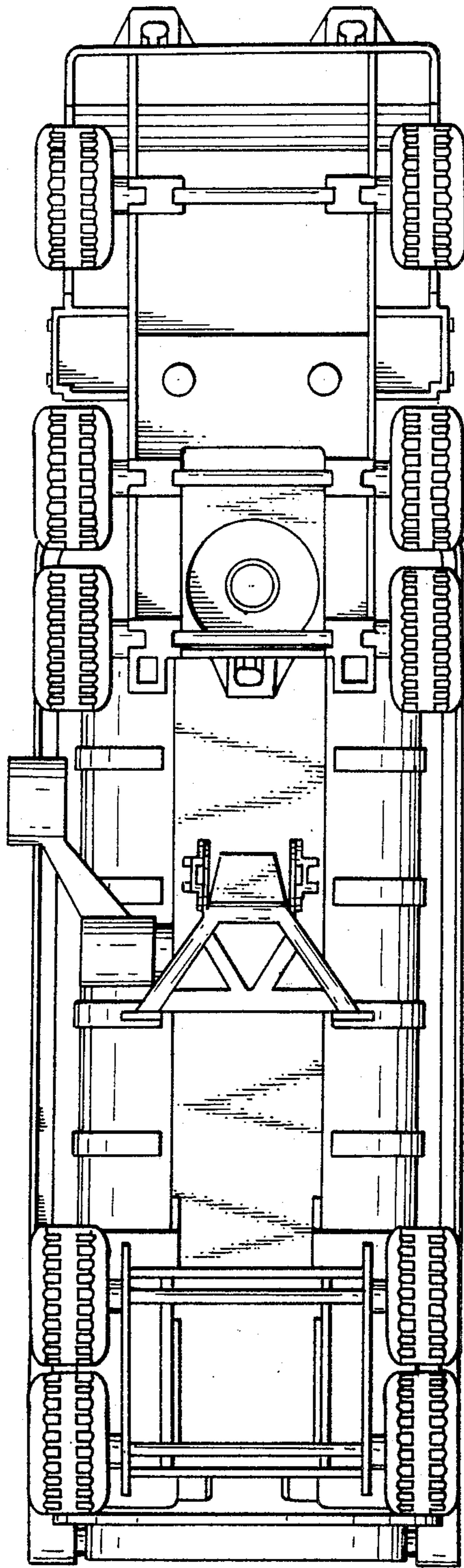


FIG. 5