

[54] OIL WELL PUMP RIDING TOY

[76] Inventor: Judy Mulkey-Hartis, 906 W. Kiowa, Hobbs, N. Mex. 88240

[**] Term: 14 Years

[21] Appl. No.: 587,288

[22] Filed: Mar. 7, 1984

[52] U.S. Cl. D21/66

[58] Field of Search 272/52, 52.5; D21/66, D21/68, 69, 70, 74, 75; D6/333, 344, 345; D15/7, 9.1

1,198,386 9/1916 Walter .
1,648,745 11/1927 Smith D21/66
2,372,384 3/1945 Lutz .
2,978,245 4/1961 Rempel .

Primary Examiner—Charles A. Rademaker

[57] CLAIM

The ornamental design for an oil well pump riding toy, as shown and described.

DESCRIPTION

FIG. 1 is a perspective view of an oil well pump riding toy showing my new design; FIG. 2 is a side elevational view thereof, the side opposite being substantially a mirror image; FIG. 3 is a front elevational view thereof; FIG. 4 is a rear elevational view thereof; FIG. 5 is a top plan view thereof; and, FIG. 6 is a bottom plan view thereof. The broken line showing of the human figure is for illustrative purposes only and forms no part of the claimed design.

[56] References Cited

U.S. PATENT DOCUMENTS

Re. 23,849 7/1954 Baltz .
D. 54,435 2/1920 Doren et al. .
D. 65,504 8/1924 Spiegel D21/66
D. 170,294 8/1953 Wenkstern .
D. 178,951 10/1956 Cope .
D. 178,952 10/1956 Cope .
D. 242,864 12/1976 Stevens D21/66

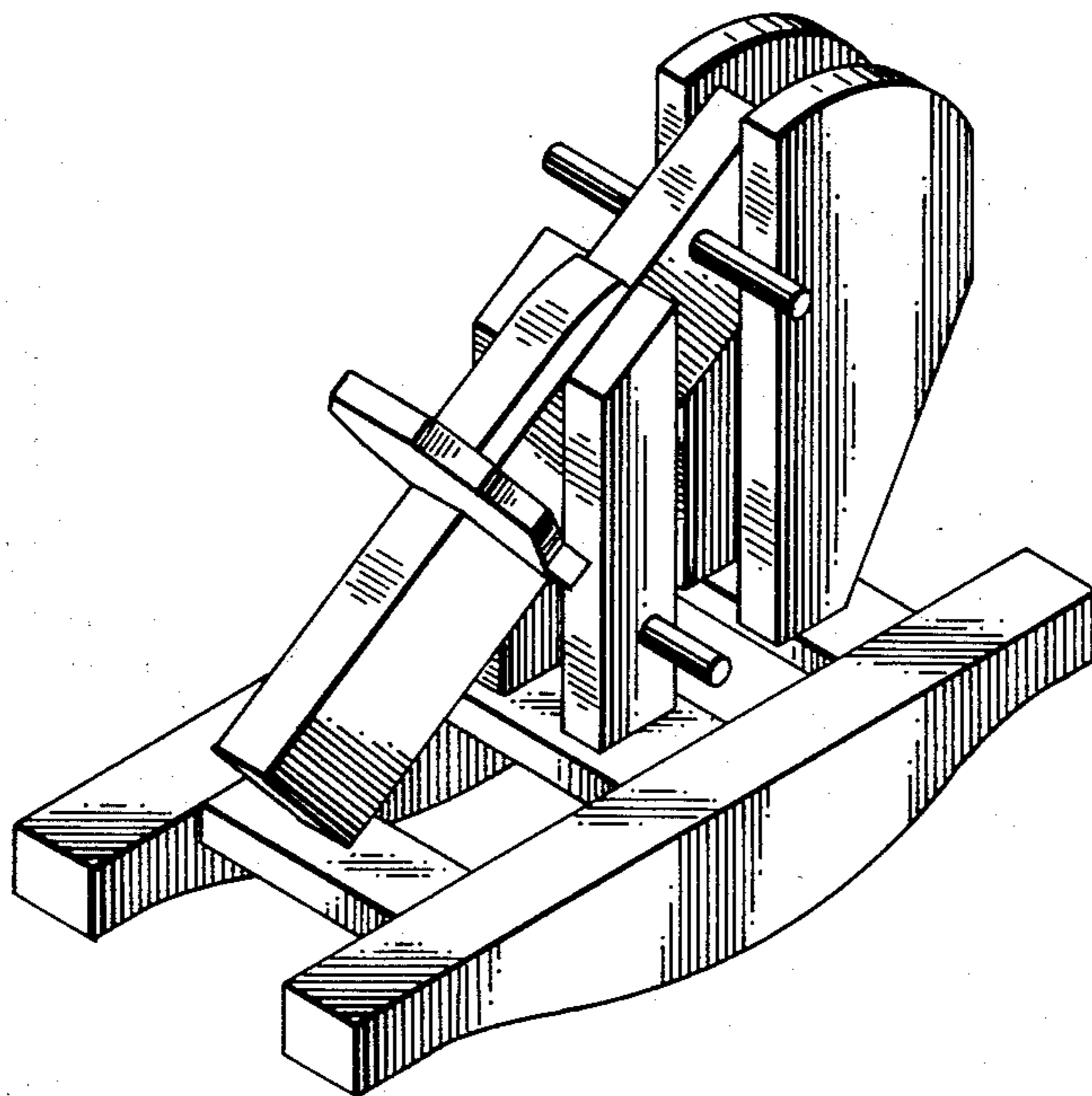


FIG. 1

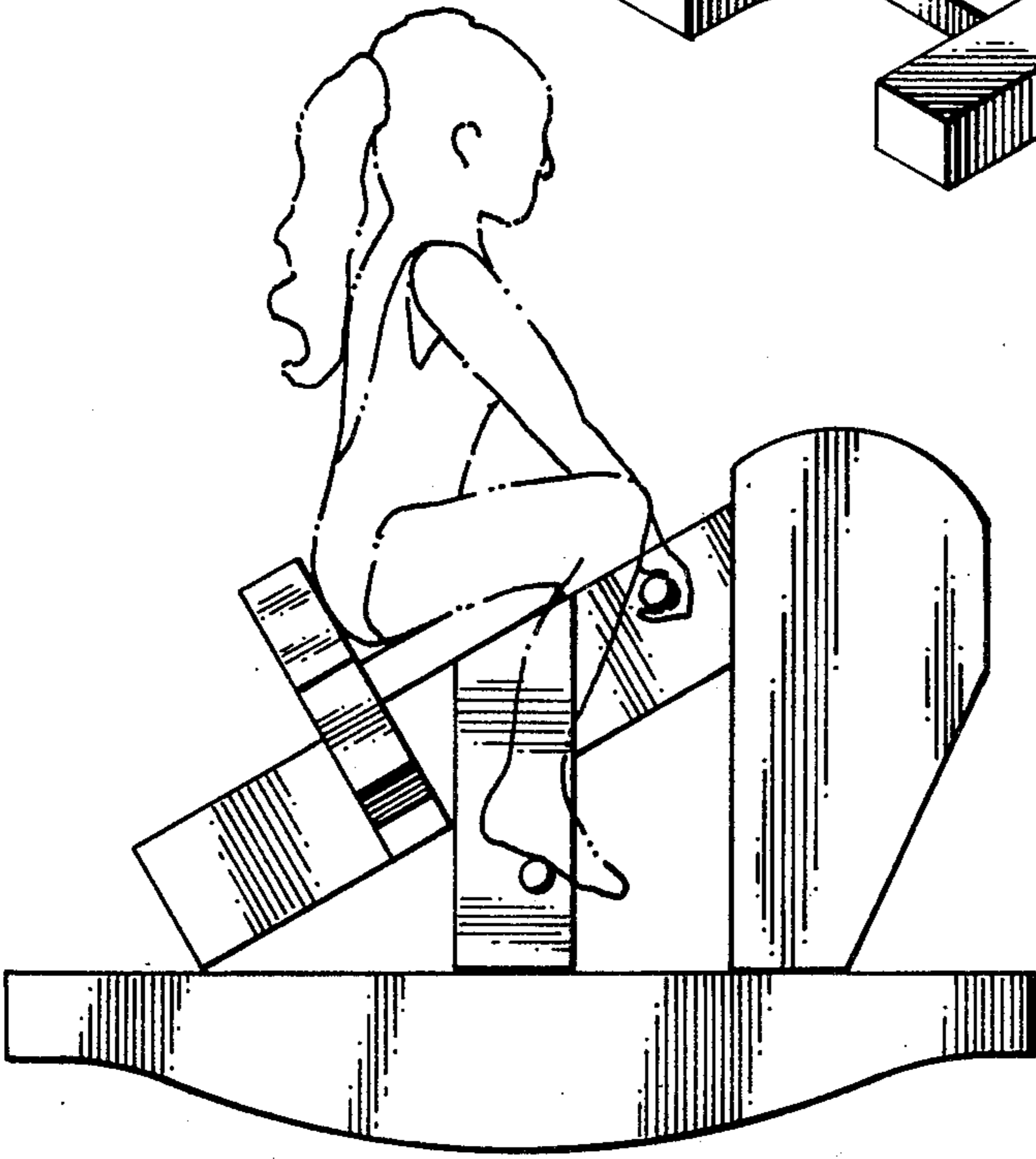
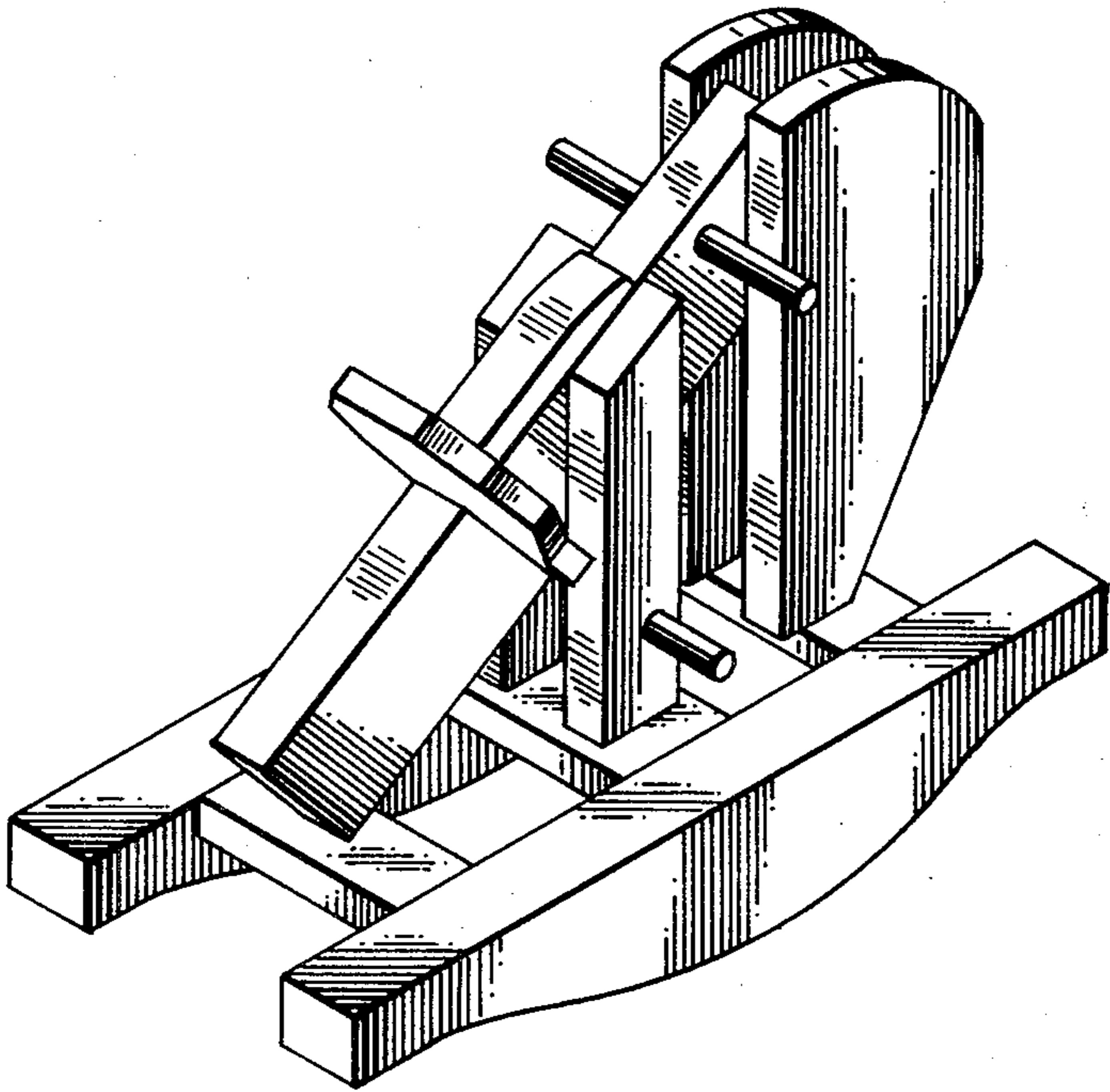


FIG. 2

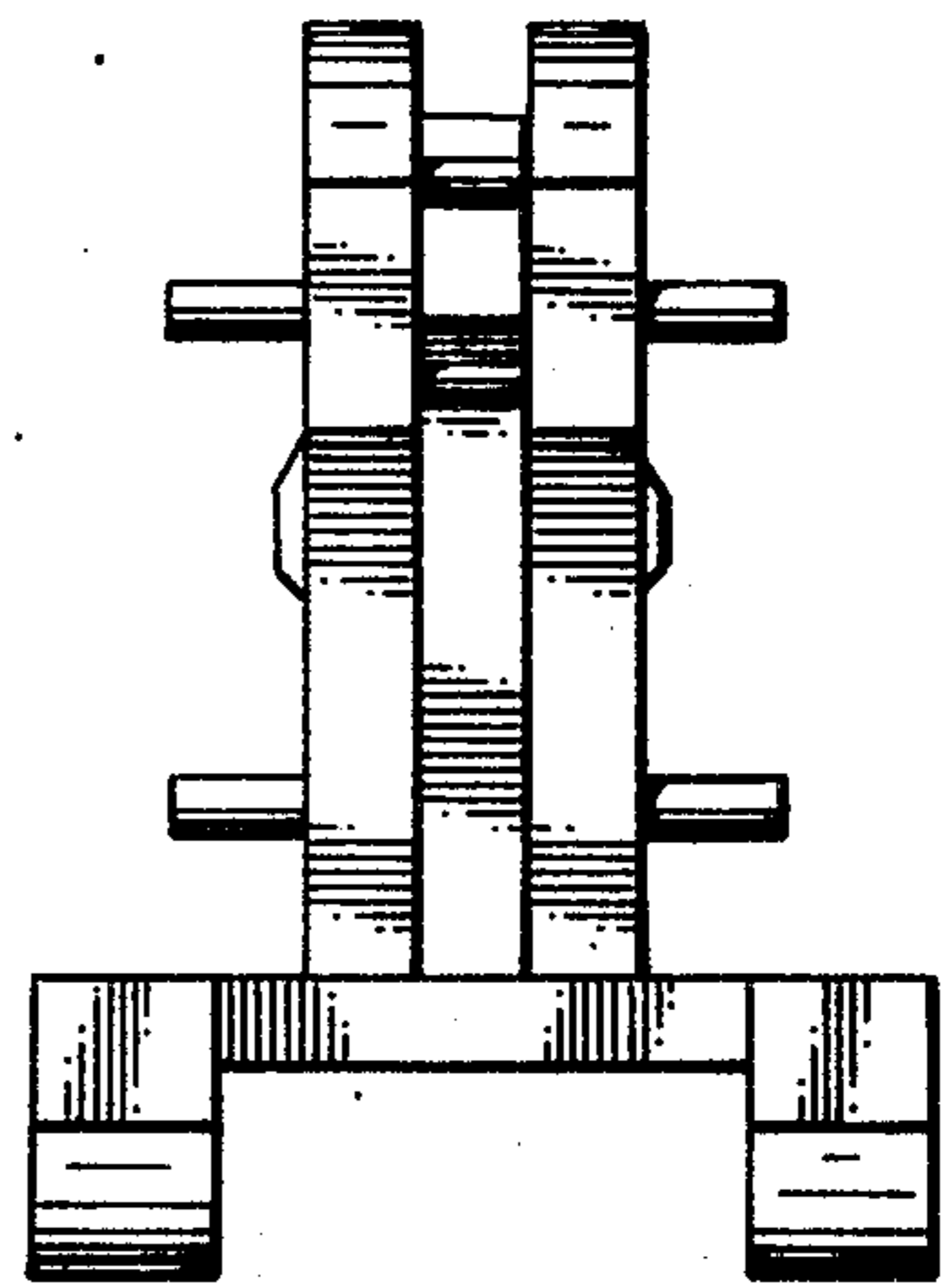


FIG. 3

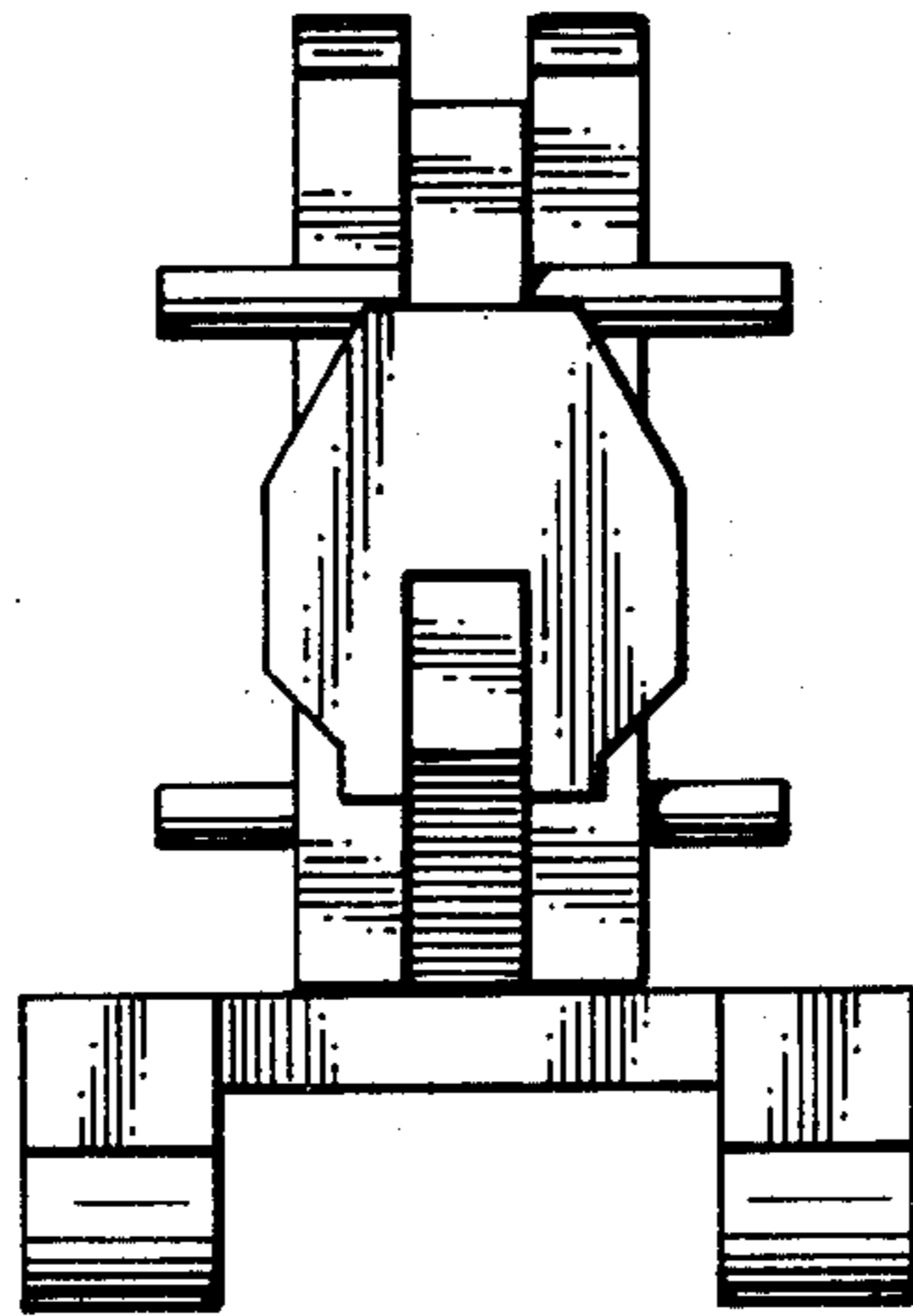


FIG. 4

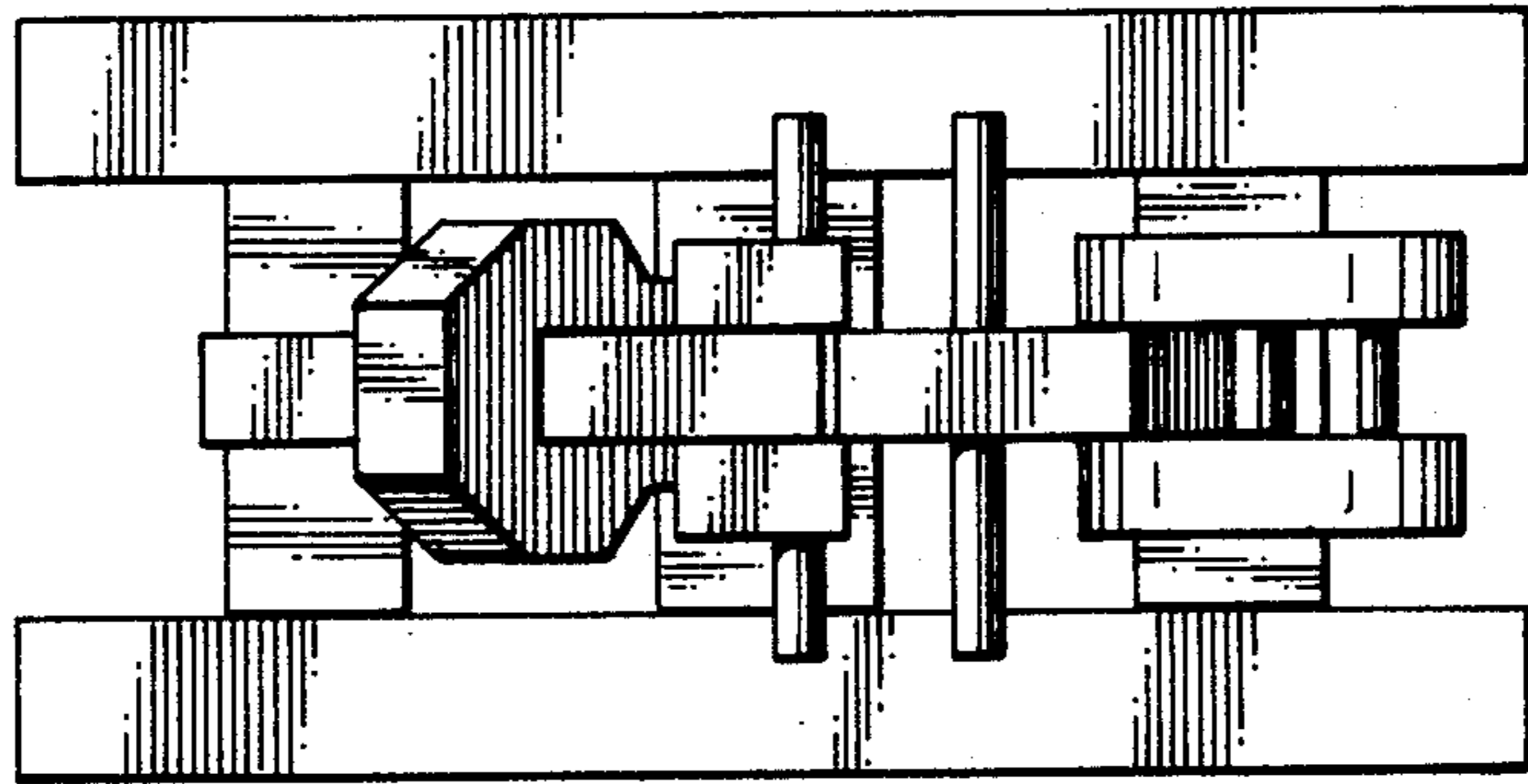


FIG. 5

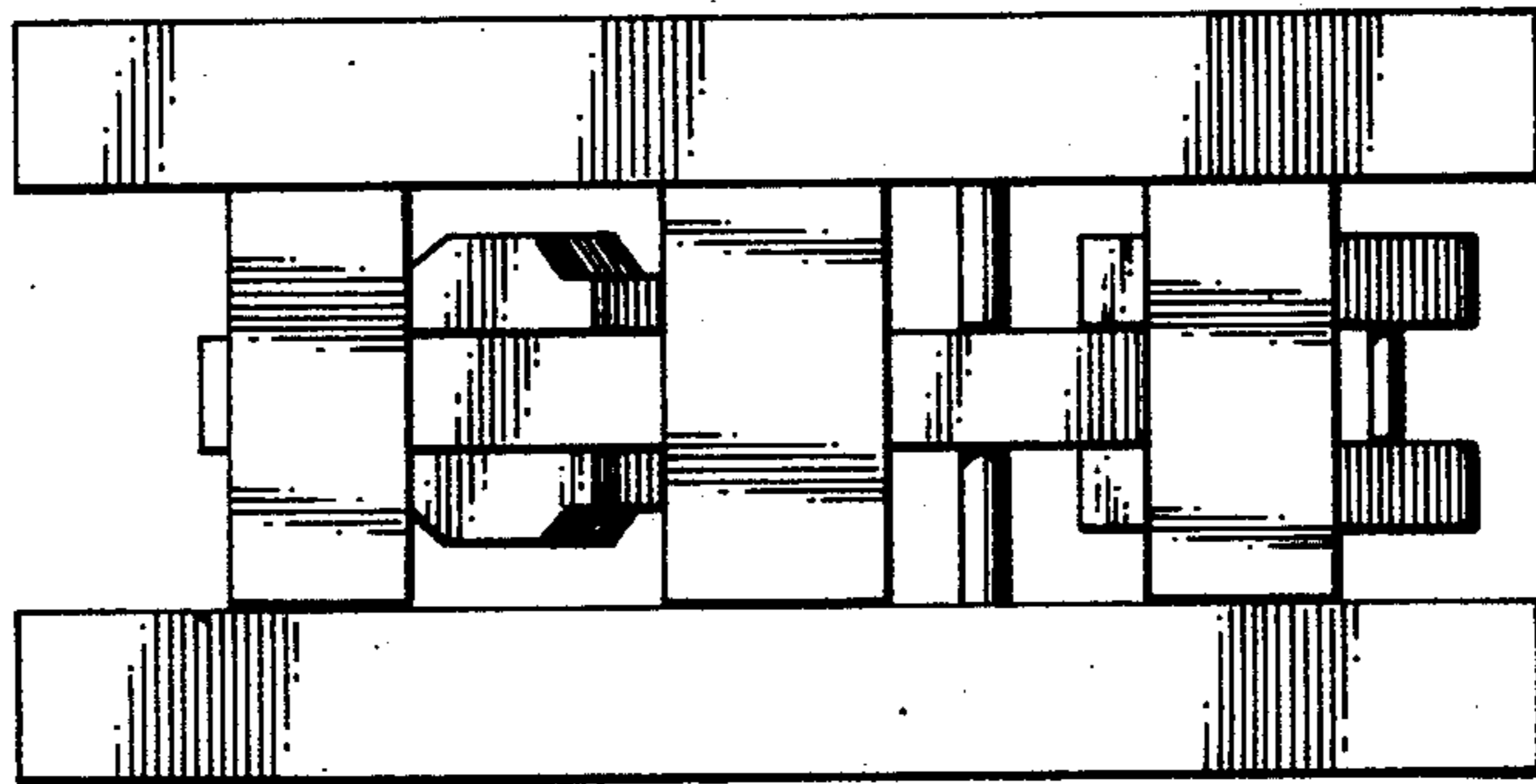


FIG. 6