

[54] HOLDER FOR BINGO SHEETS OR THE LIKE

[76] Inventors: Henry H. Swartz; Margie E. Swartz, both of 15538 Maple Tree Dr., Punta Gorda, Fla. 33955

[**] Term: 14 Years

[21] Appl. No.: 810,280

[22] Filed: Dec. 18, 1985

[52] U.S. Cl. D21/54; D19/26

[58] Field of Search D21/54, 57; D19/26, D19/33; D6/301; 273/269, 148 R, 148 A, 150, 281, 283; 40/124.4, 124, 156, 158 B, 158 R

[56] References Cited

U.S. PATENT DOCUMENTS

- 4,133,536 1/1979 Cole 273/269
- 4,141,162 2/1979 Mascolo D19/26
- 4,502,658 3/1985 Wirt et al. 273/148 A

FOREIGN PATENT DOCUMENTS

20814 9/1902 United Kingdom 40/124.4

Primary Examiner—Melvin B. Feifer
Attorney, Agent, or Firm—Charles J. Prescott

[57] CLAIM

The ornamental design for a holder for bingo sheets or the like, as shown and described.

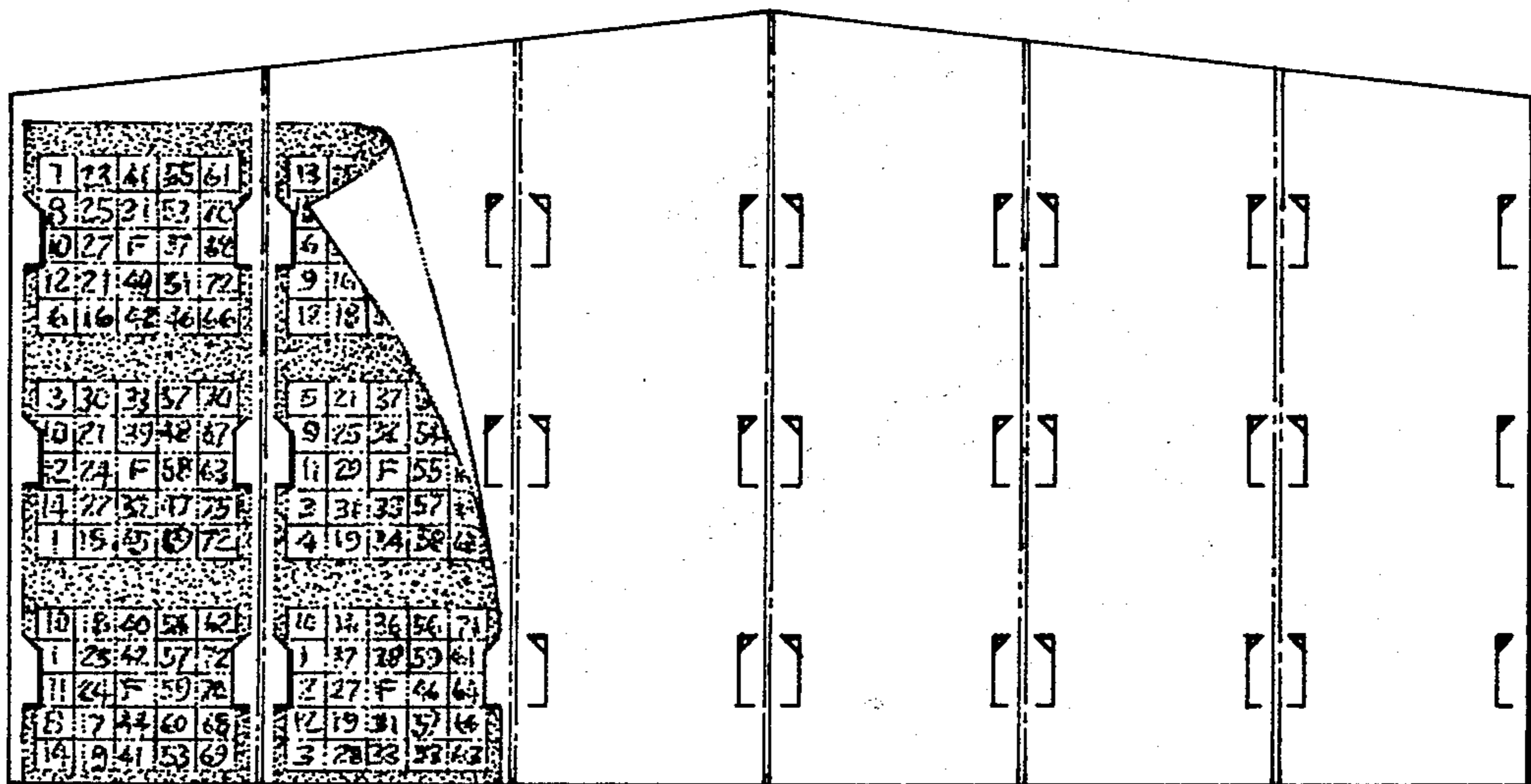
DESCRIPTION

FIG. 1 is a front elevation view of a holder for bingo sheets or the like showing the new design; the dashed lines on the holder indicate fold lines and the broken line showing bingo sheets is for illustrative purposes only.

FIG. 2 is a perspective view thereof in a partially folded position.

FIG. 3 is a perspective view thereof in a completely closed position.

The opposite side of FIG. 1 is similar to that shown.



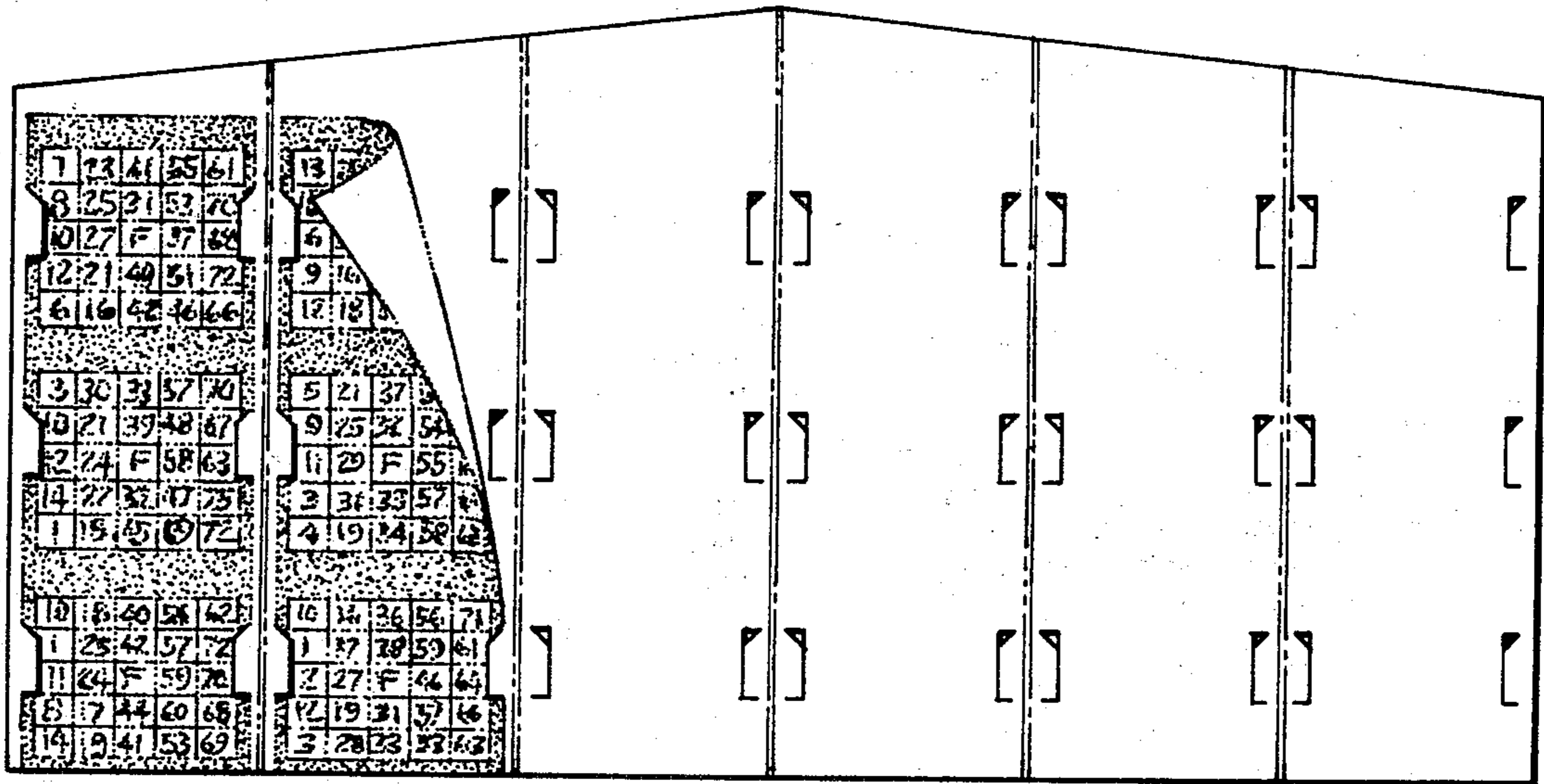


FIG. 1

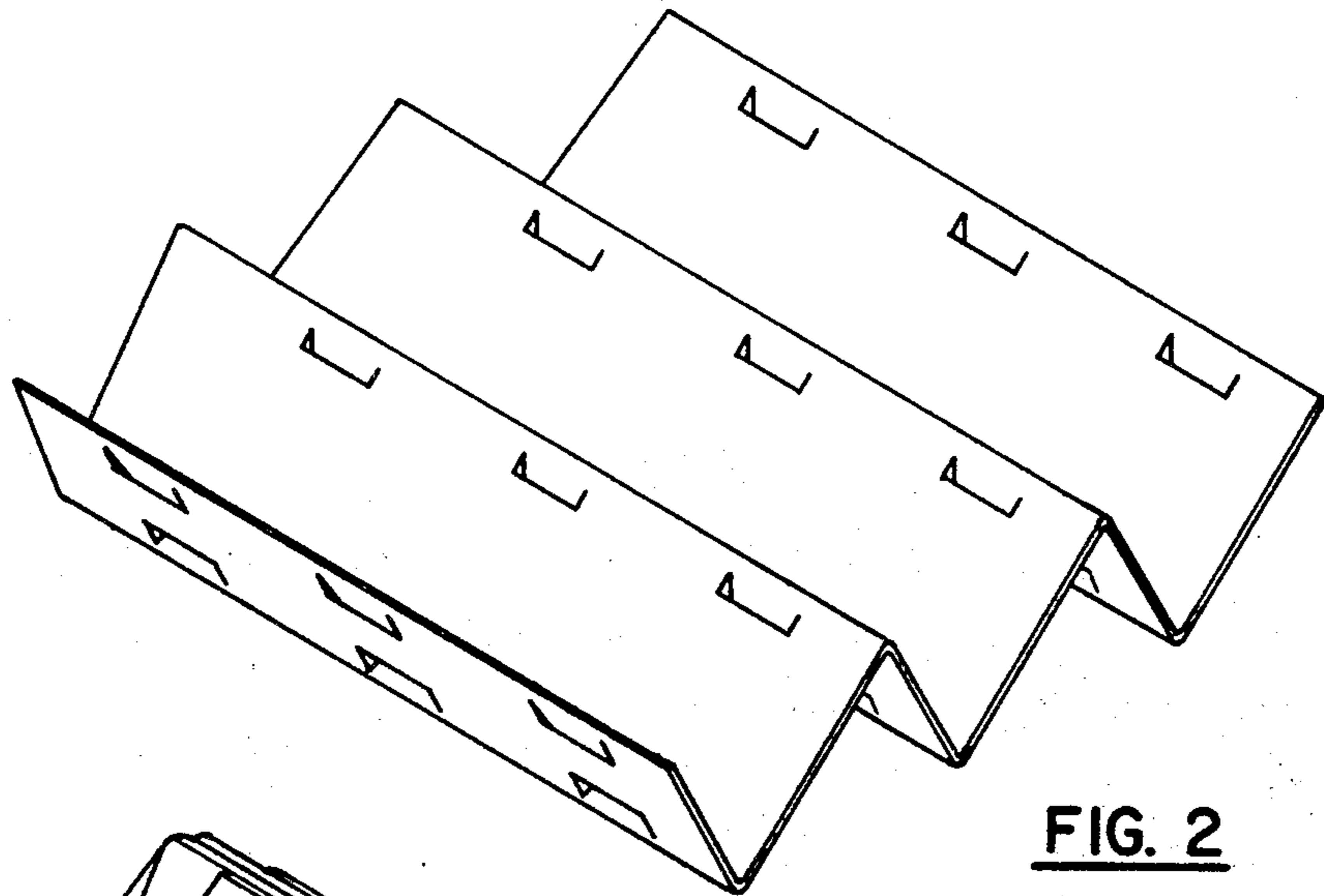


FIG. 2

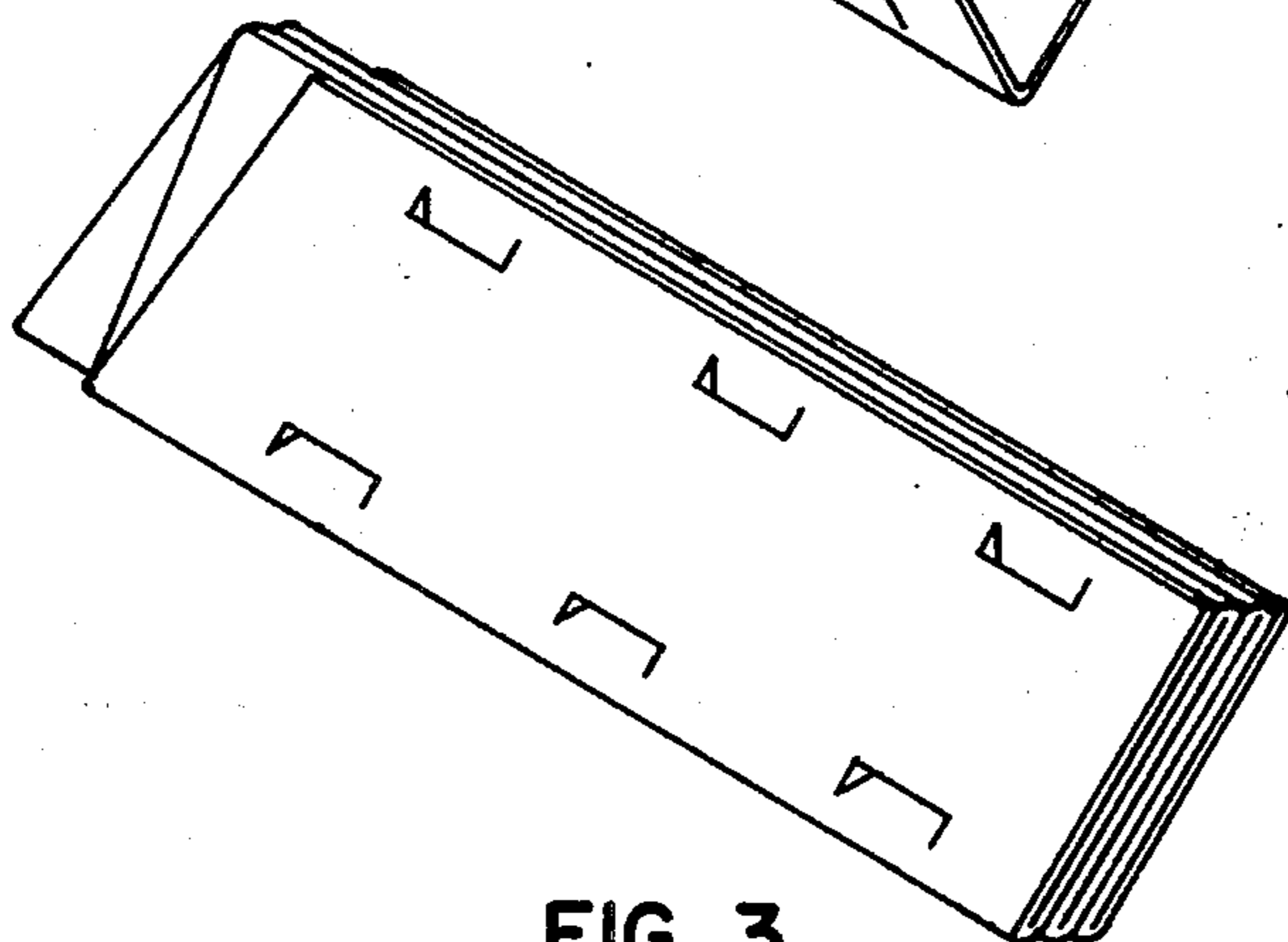


FIG. 3