

[54] OPTICAL COUPLER FOR COUPLING A TELEVISION CAMERA TO A SURGICAL HEADBAND

[75] Inventors: Richard E. Feinbloom; Melvin Levine, both of New York; Lung T. Yee, Brooklyn, all of N.Y.

[73] Assignee: Designs for Vision, Inc., Ronkomkoma, N.Y.

[**] Term: 14 Years

[21] Appl. No.: 549,321

[22] Filed: Nov. 7, 1983

[52] U.S. Cl. D16/130; D14/99; D24/29

[58] Field of Search D14/84, 78, 77, 99; D16/134, 136, 130, 38; D24/8, 17, 29; 128/4-9, 303.15, 23; 350/618, 638

[56] References Cited

U.S. PATENT DOCUMENTS

- D. 271,209 11/1983 Feinbloom D16/130 X
- D. 276,533 11/1984 Feinbloom D16/130
- D. 276,623 12/1984 Feinbloom D16/130
- D. 278,907 5/1985 Kurokawa et al. D14/84

- 3,582,191 6/1971 Cohen et al. 350/638 X
- 3,830,230 8/1974 Chester 128/23

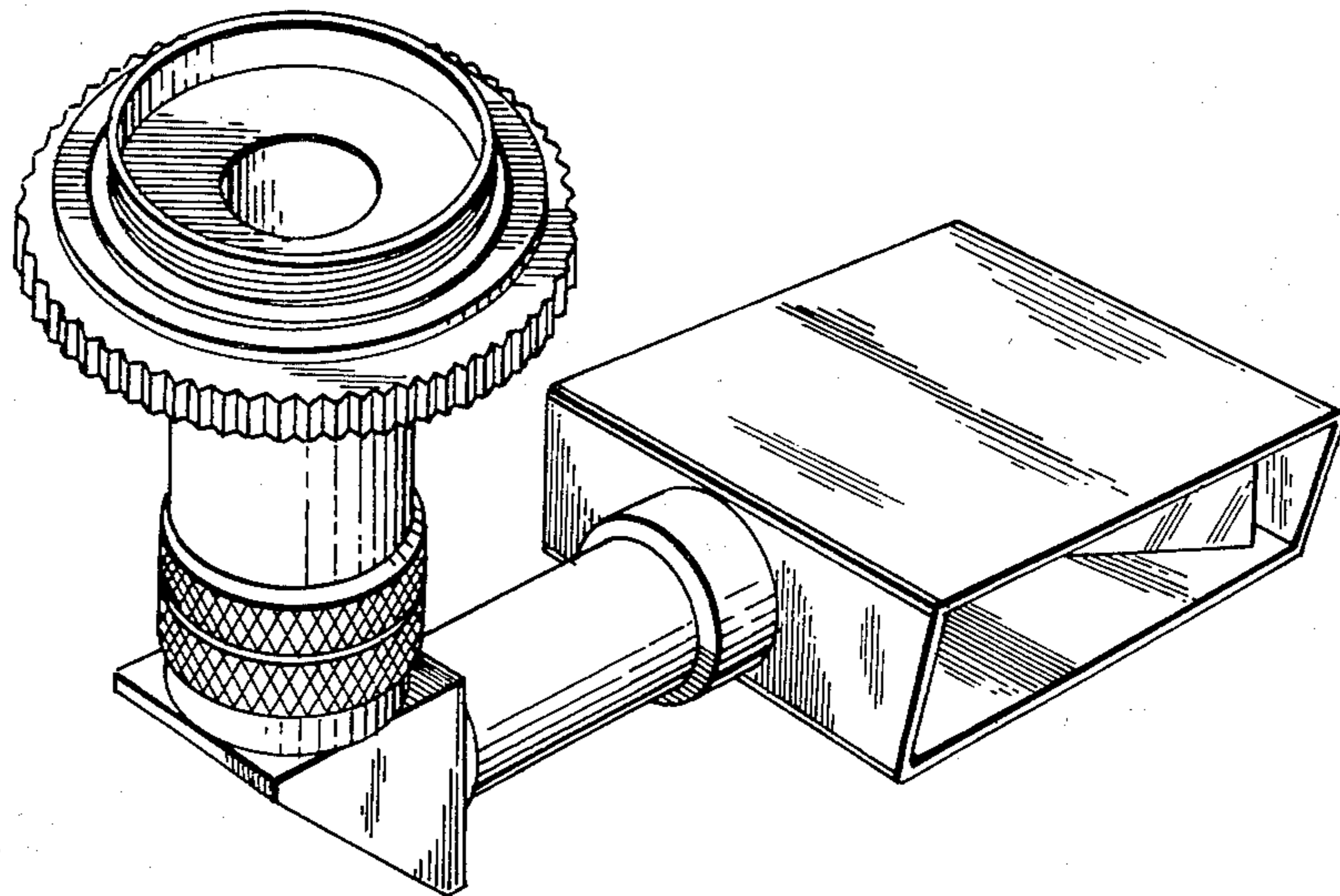
Primary Examiner—Bernard Ansher
Assistant Examiner—Theodore M. Shooman
Attorney, Agent, or Firm—Arthur L. Plevy

[57] CLAIM

The ornamental design for an optical coupler for coupling a television camera to a surgical headband, substantially as shown and described.

DESCRIPTION

FIG. 1 is a top, front and right side perspective view of an optical coupler for coupling a television camera to a surgical headband showing our new design; FIG. 2 is a left side elevational view thereof; FIG. 3 is a right side elevational view thereof; FIG. 4 is a front elevational view thereof; FIG. 5 is a rear elevational view thereof; FIG. 6 is a top plan view thereof; FIG. 7 is a bottom plan view thereof; and FIG. 8 is a front and right side perspective view thereof, shown coupled to a surgical headband. The broken line showing of the surgical headband in FIG. 8 is for illustrative purposes only and forms no part of the claimed design.



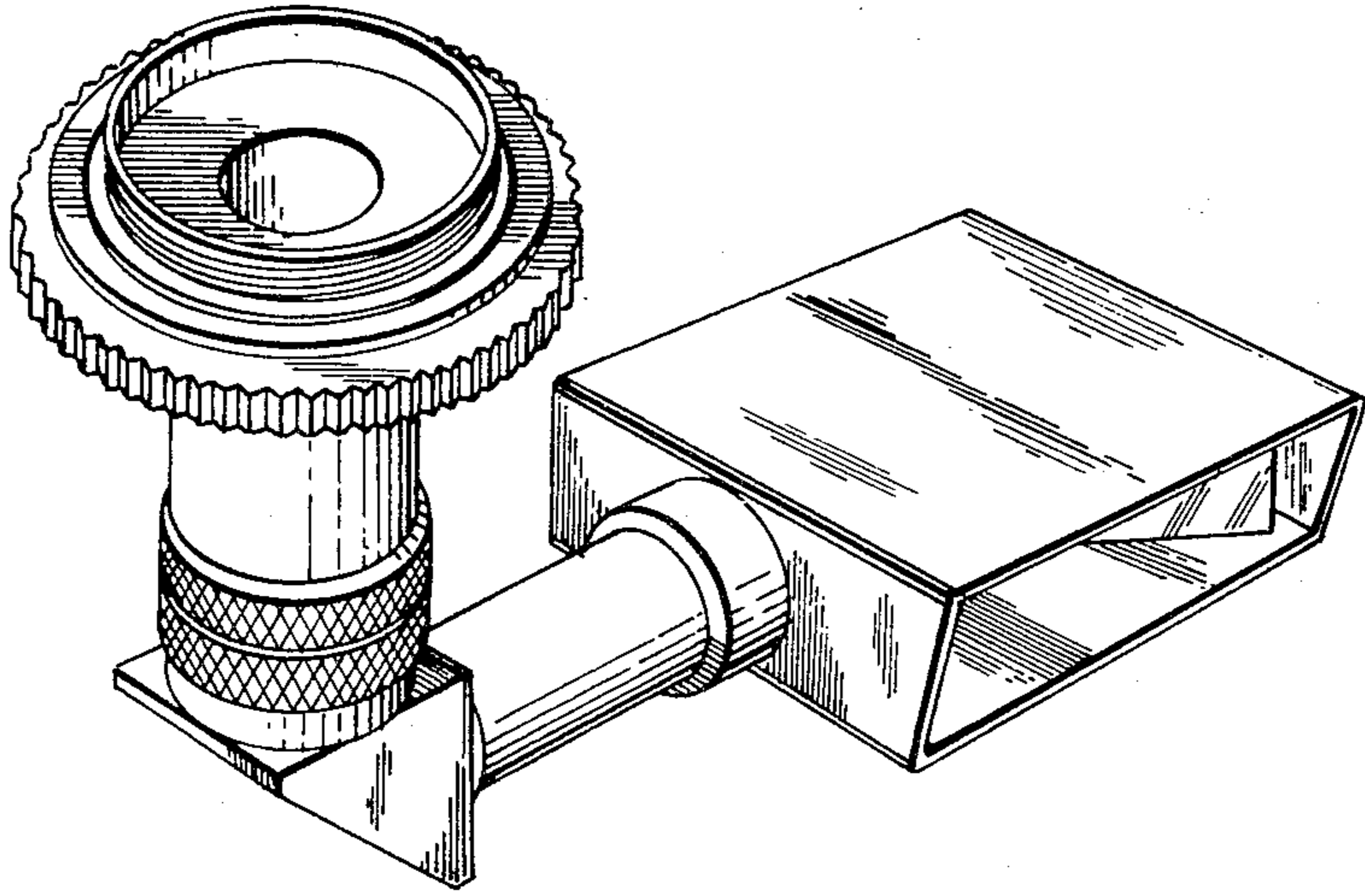


FIG. 1

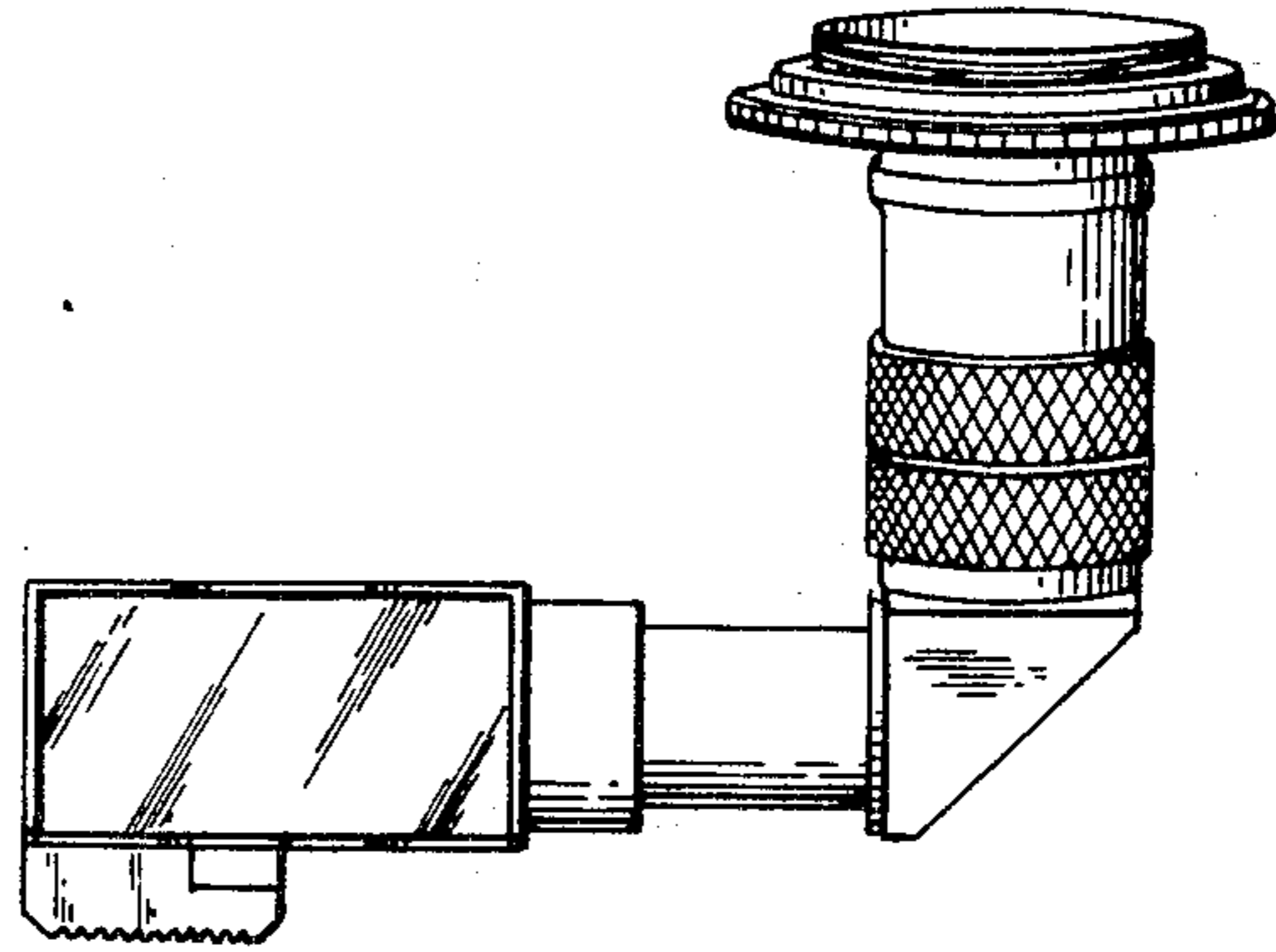


FIG. 2

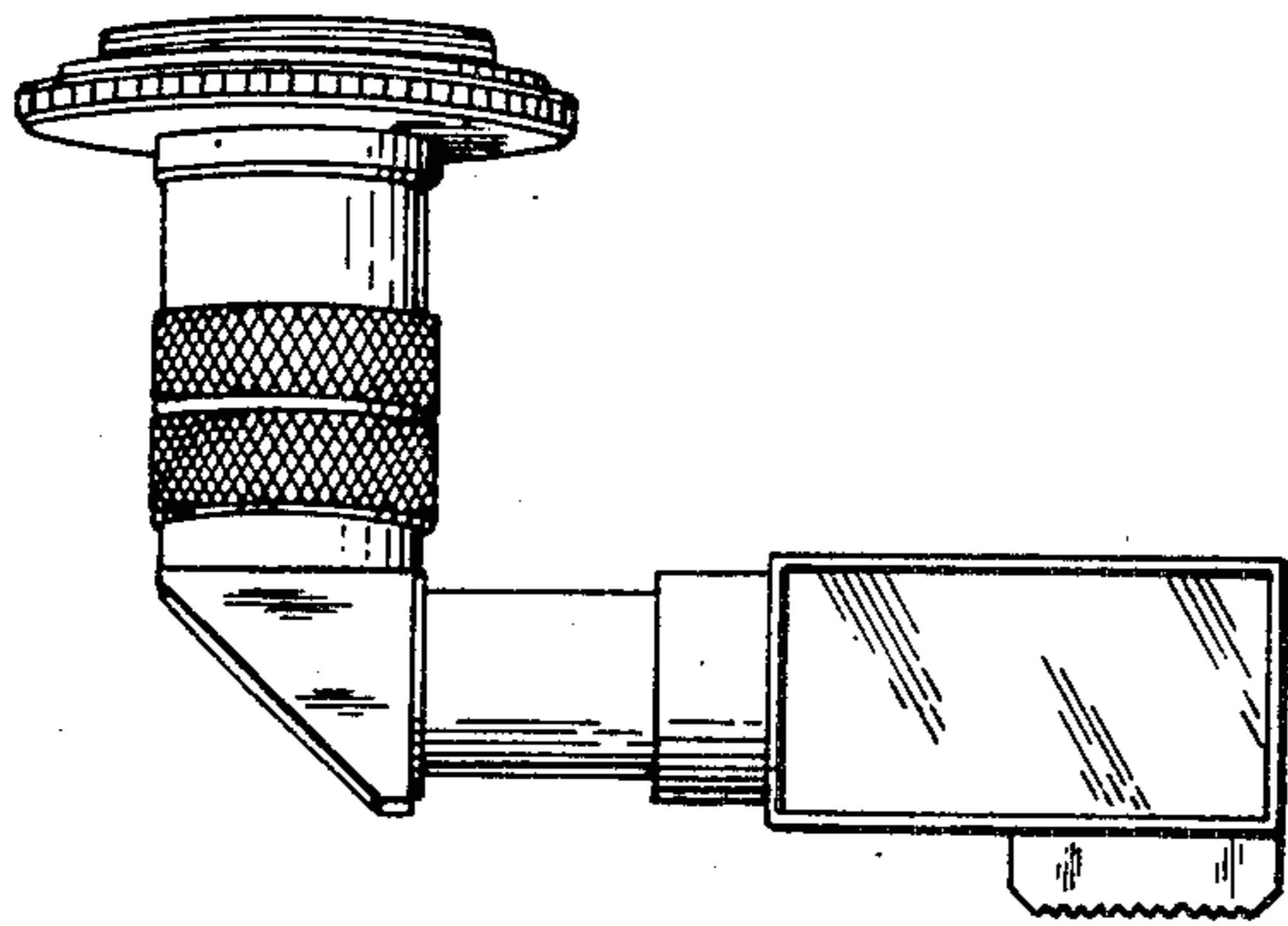


FIG. 3

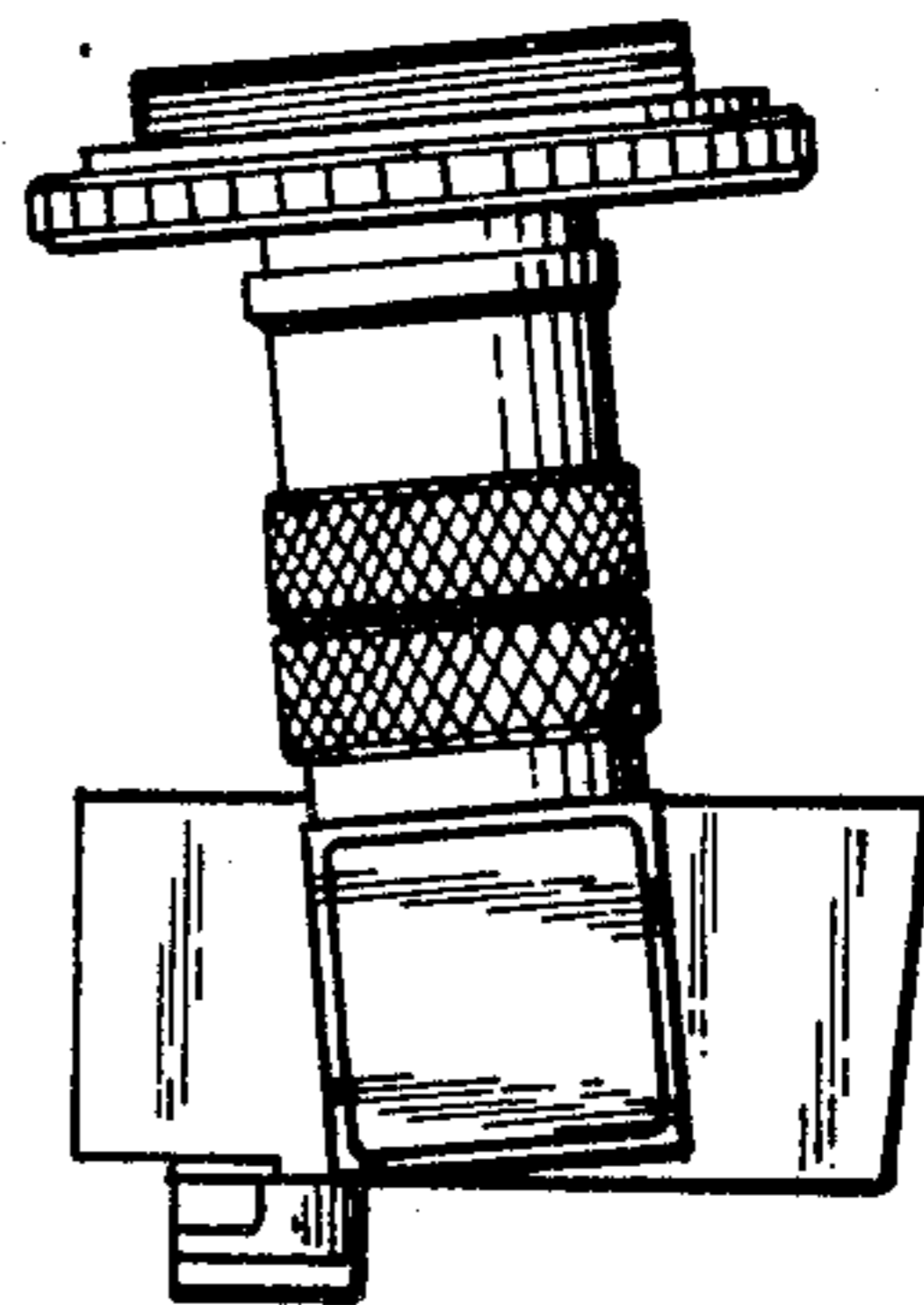


FIG. 4

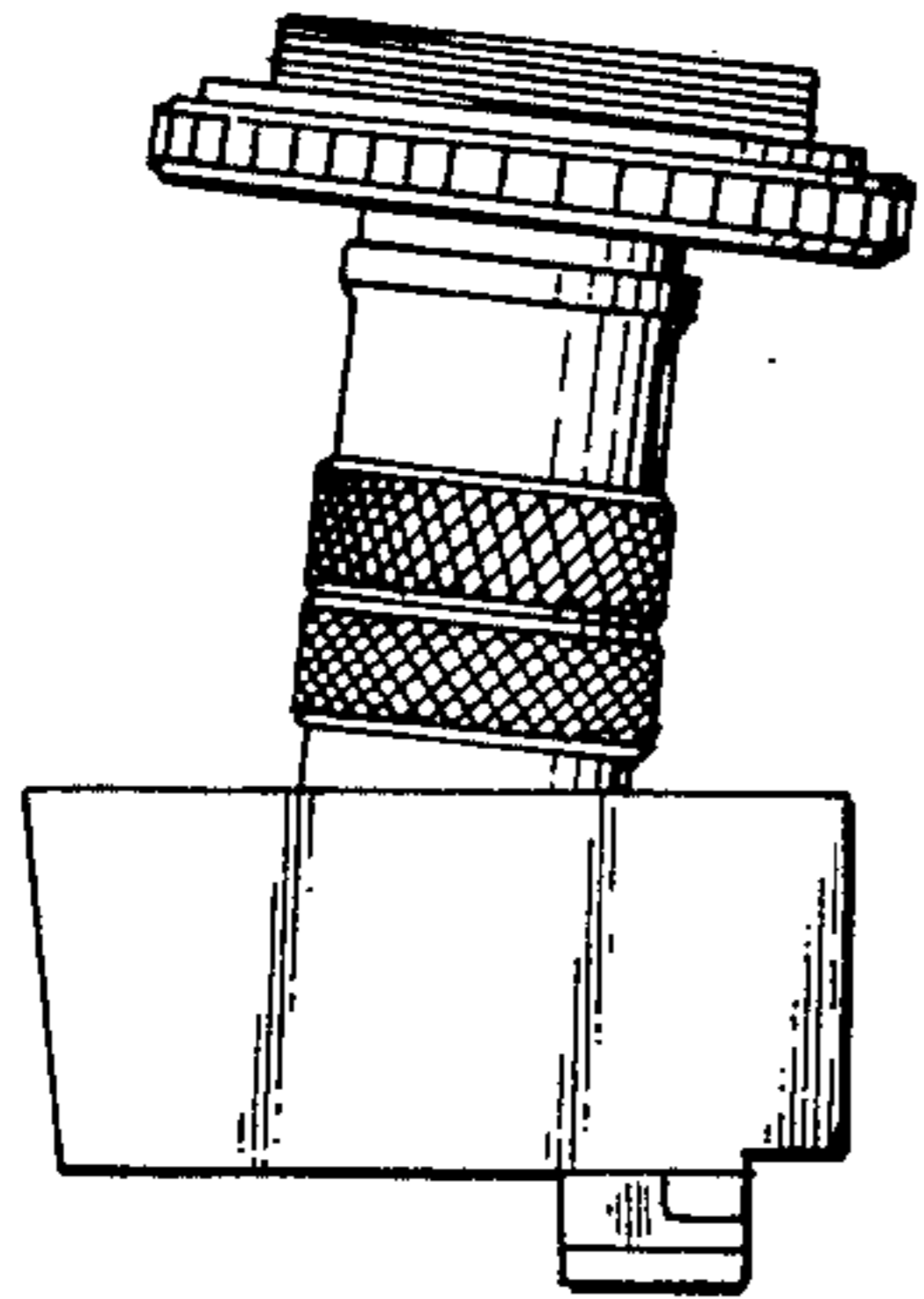


FIG. 5

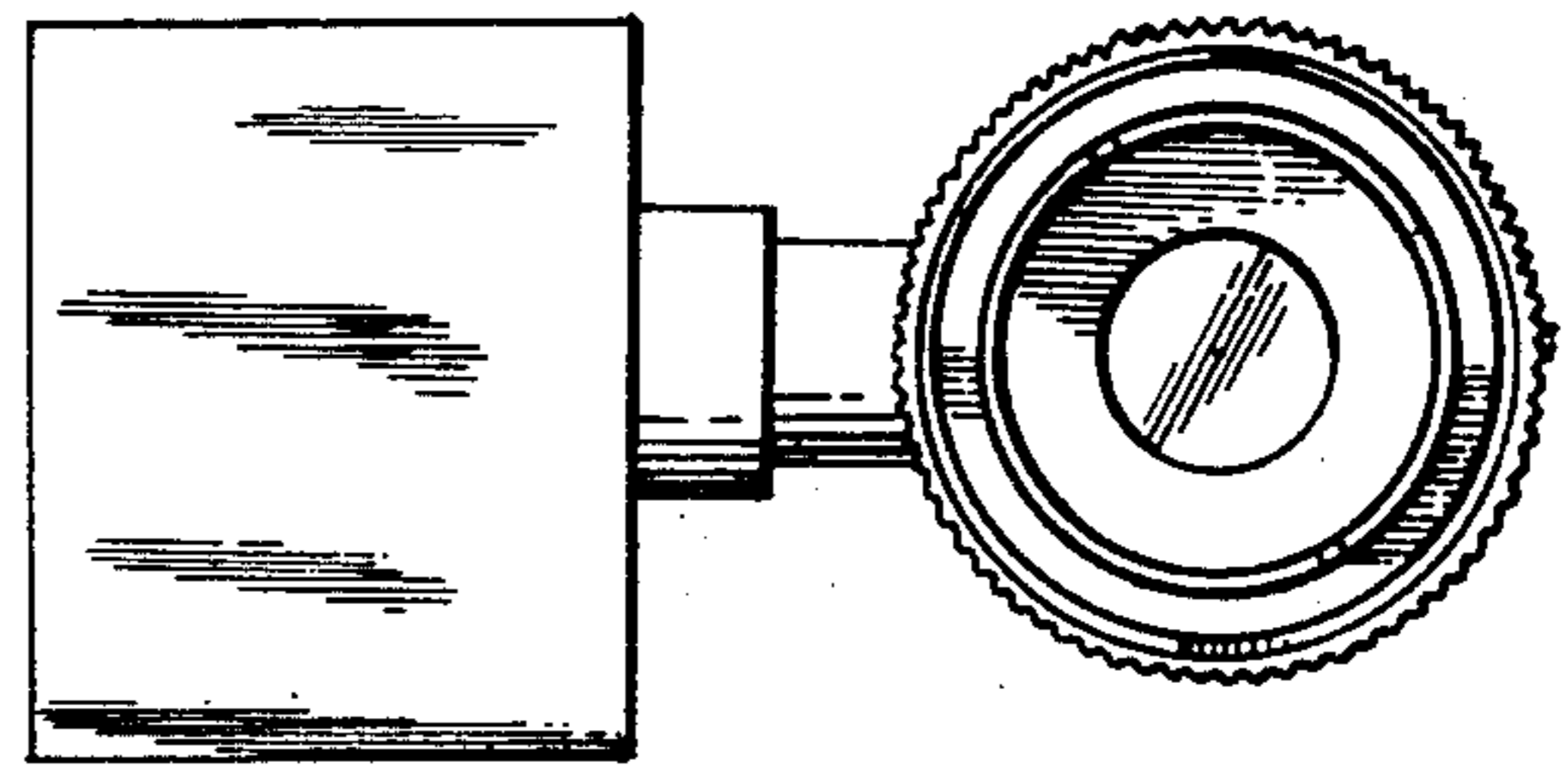


FIG. 6

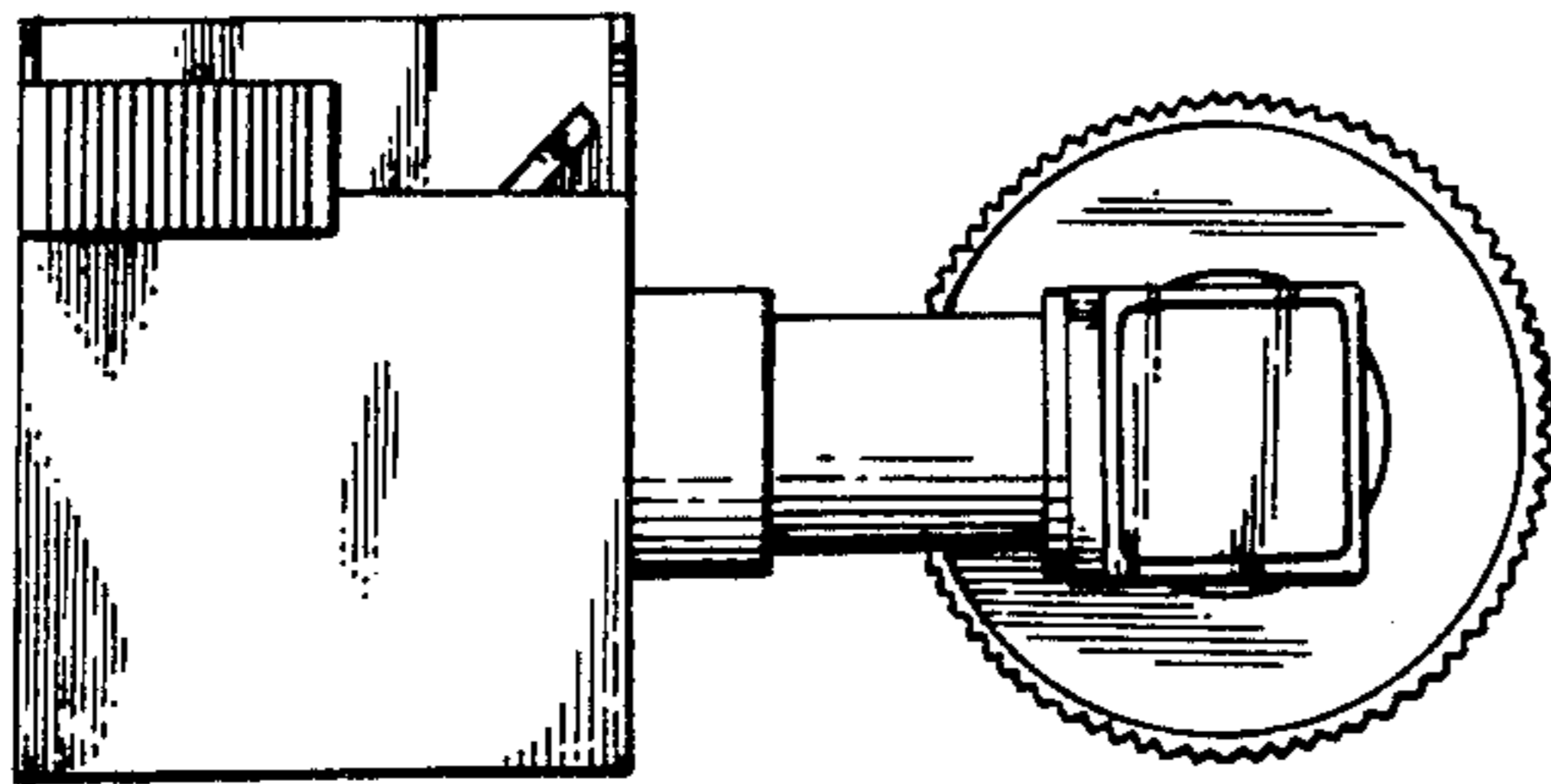


FIG. 7

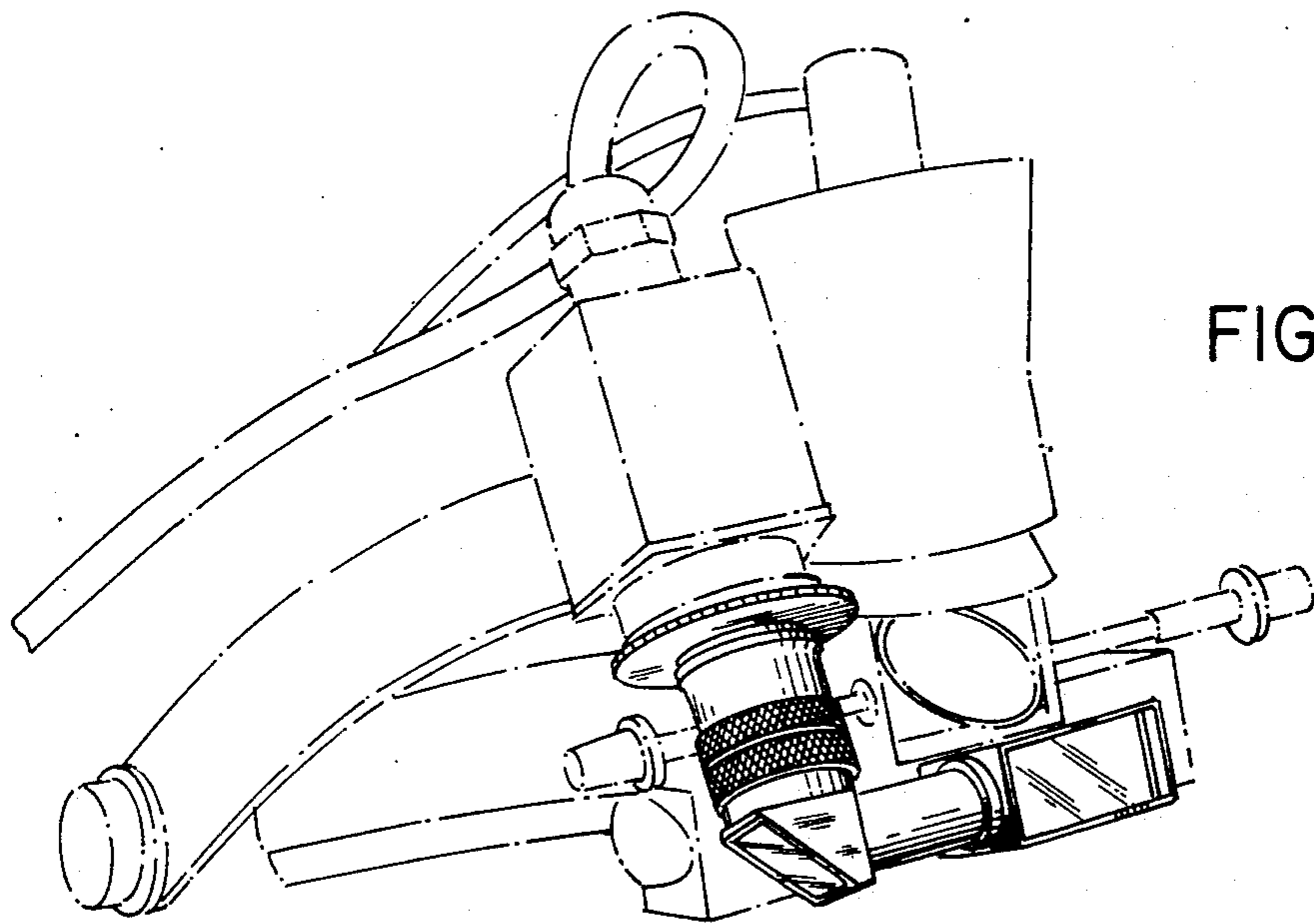


FIG. 8