

[54] ELECTROSTATIC COPIER

D. 263,600 3/1982 Furukawa D16/31
4,208,122 6/1980 Iwamoto et al. 355/14 R

[75] Inventors: Andrew T. Serbinski, Brooklyn;
Yasuhiro Okuda, New York, both of
N.Y.

OTHER PUBLICATIONS

Ricoh Brochure, 1/81, front cover, FT4700 Copier.

[73] Assignee: Ricoh Company, Ltd., Japan

Primary Examiner—Bernard Ansher
Assistant Examiner—Terry Pfeffer
Attorney, Agent, or Firm—Guy W. Shoup

[**] Term: 14 Years

[21] Appl. No.: 460,586

[57] CLAIM

The ornamental design for electrostatic copier, as shown and described.

[22] Filed: Jan. 24, 1983

[30] Foreign Application Priority Data

Jul. 22, 1982 [JP] Japan 033,283/82
[52] U.S. Cl. D16/31
[58] Field of Search D16/27-32;
355/3 R, 8, 11, 14 R, 3 SH

DESCRIPTION

FIG. 1 is a top, front, right side perspective view of an electrostatic copier showing our new design;
FIG. 2 is a front elevation thereof;
FIG. 3 is a top plan view thereof;
FIG. 4 is a right side elevation thereof;
FIG. 5 is a left side elevation thereof;
FIG. 6 is a rear elevation thereof;
FIG. 7 is a bottom plan view thereof; and
FIG. 8 is a top, front, right side perspective view thereof with the paper dispensing and receiving trays in the operational position.

[56] References Cited

U.S. PATENT DOCUMENTS

D. 255,583 6/1980 Goto D16/30
D. 261,145 10/1981 Etoh et al. D16/30
D. 263,146 2/1982 Yamamoto D16/31
D. 263,312 3/1982 Nakade D16/31

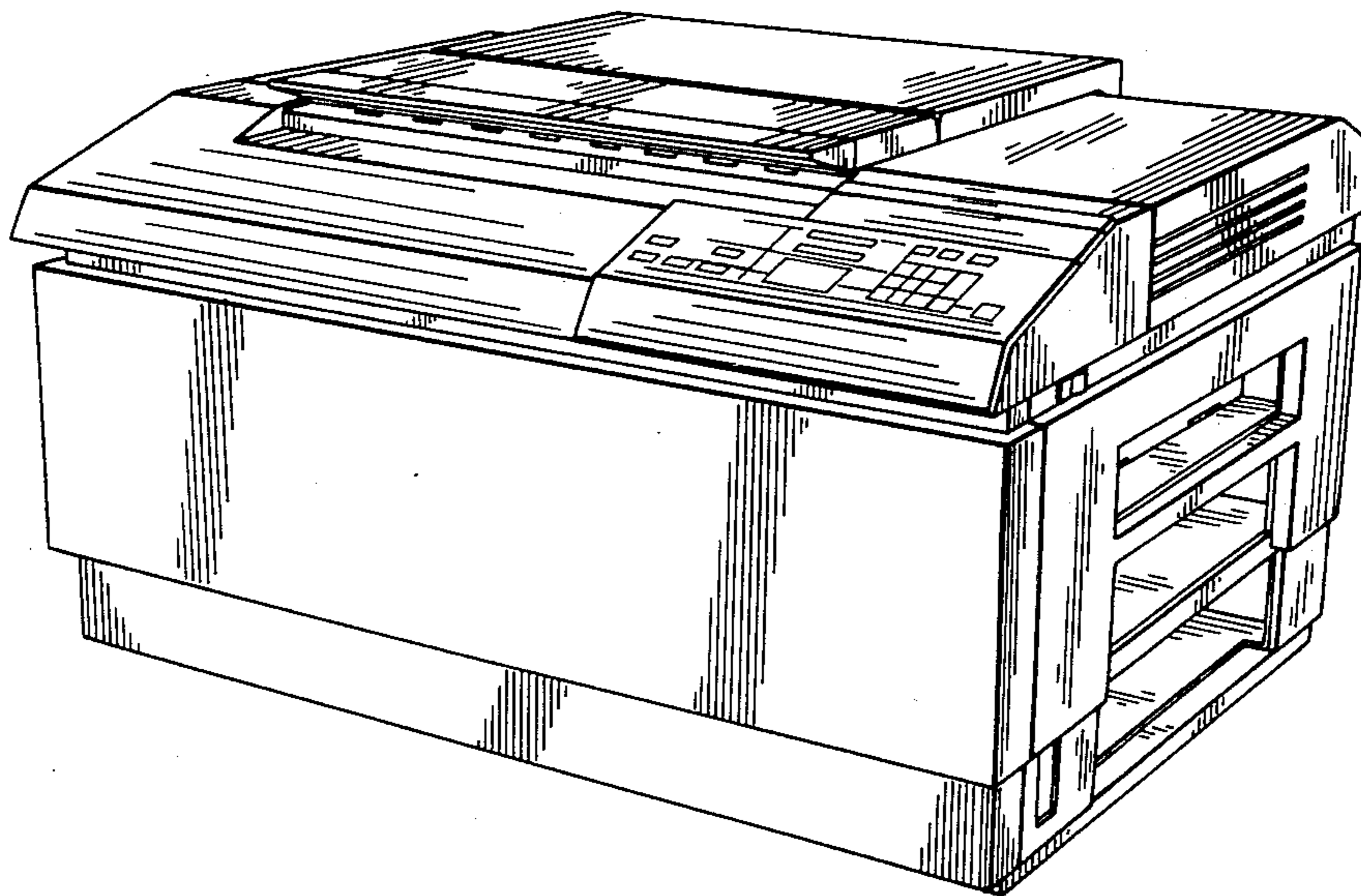


FIG. 1

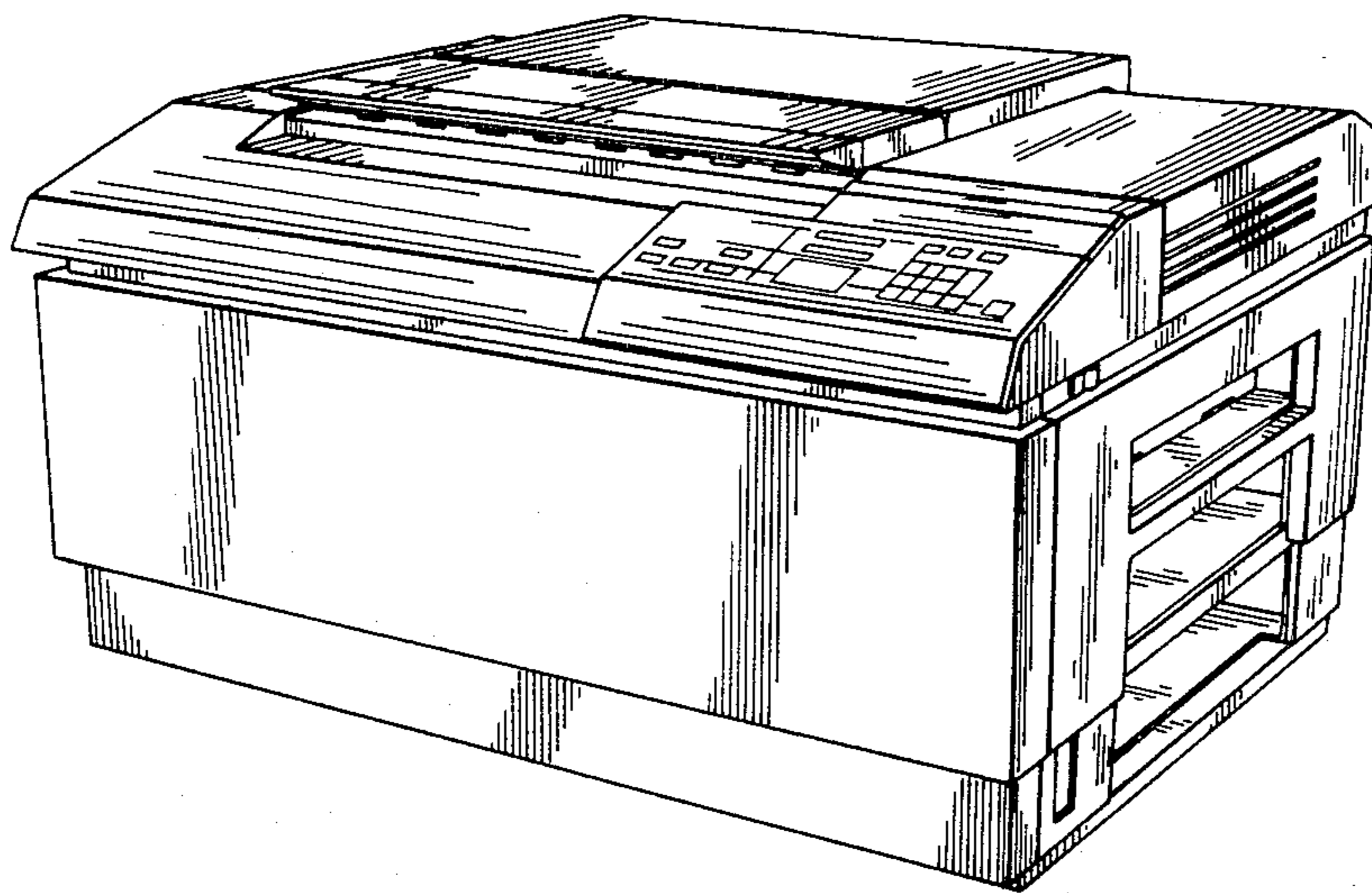


FIG. 2

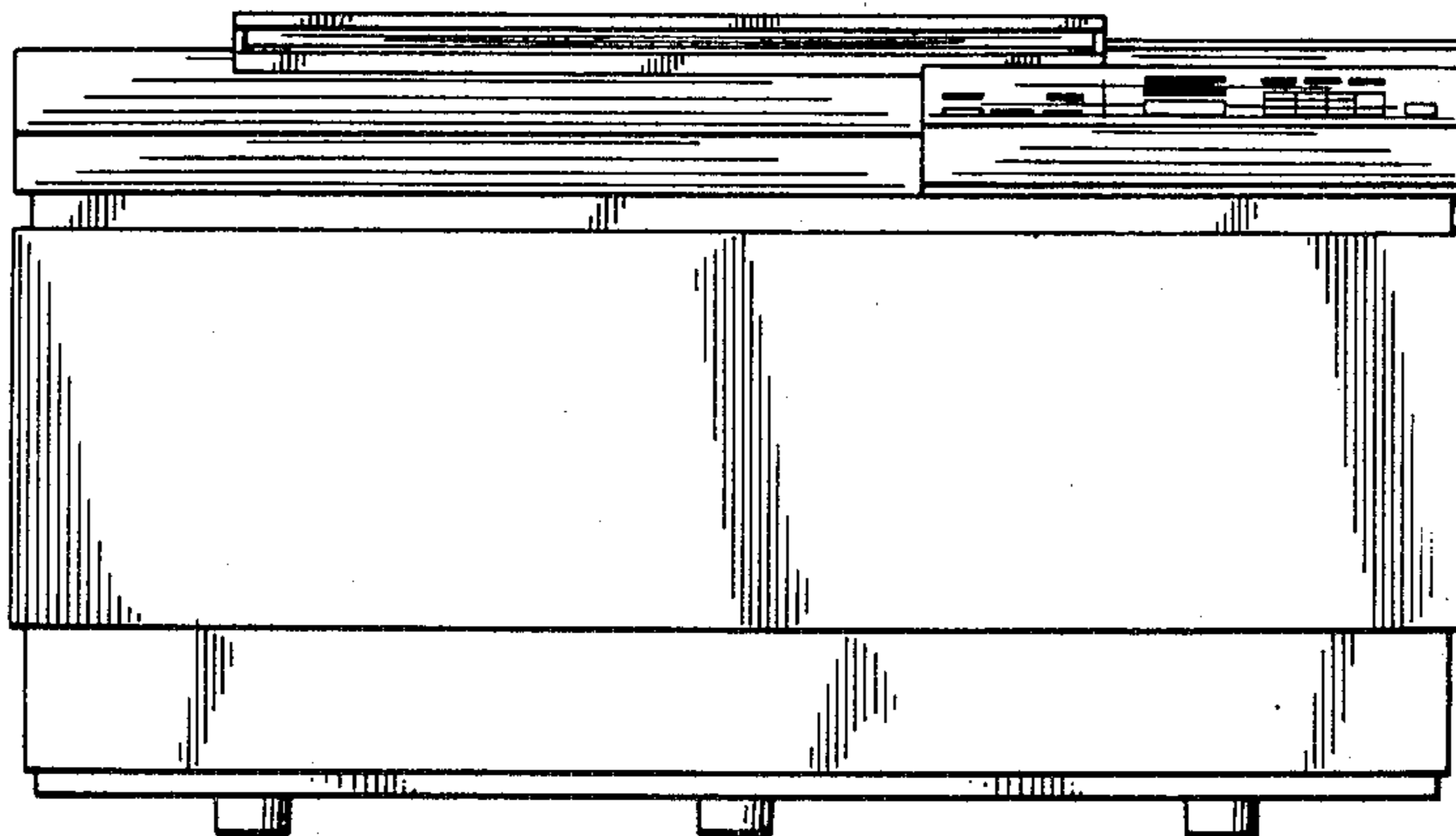


FIG. 3

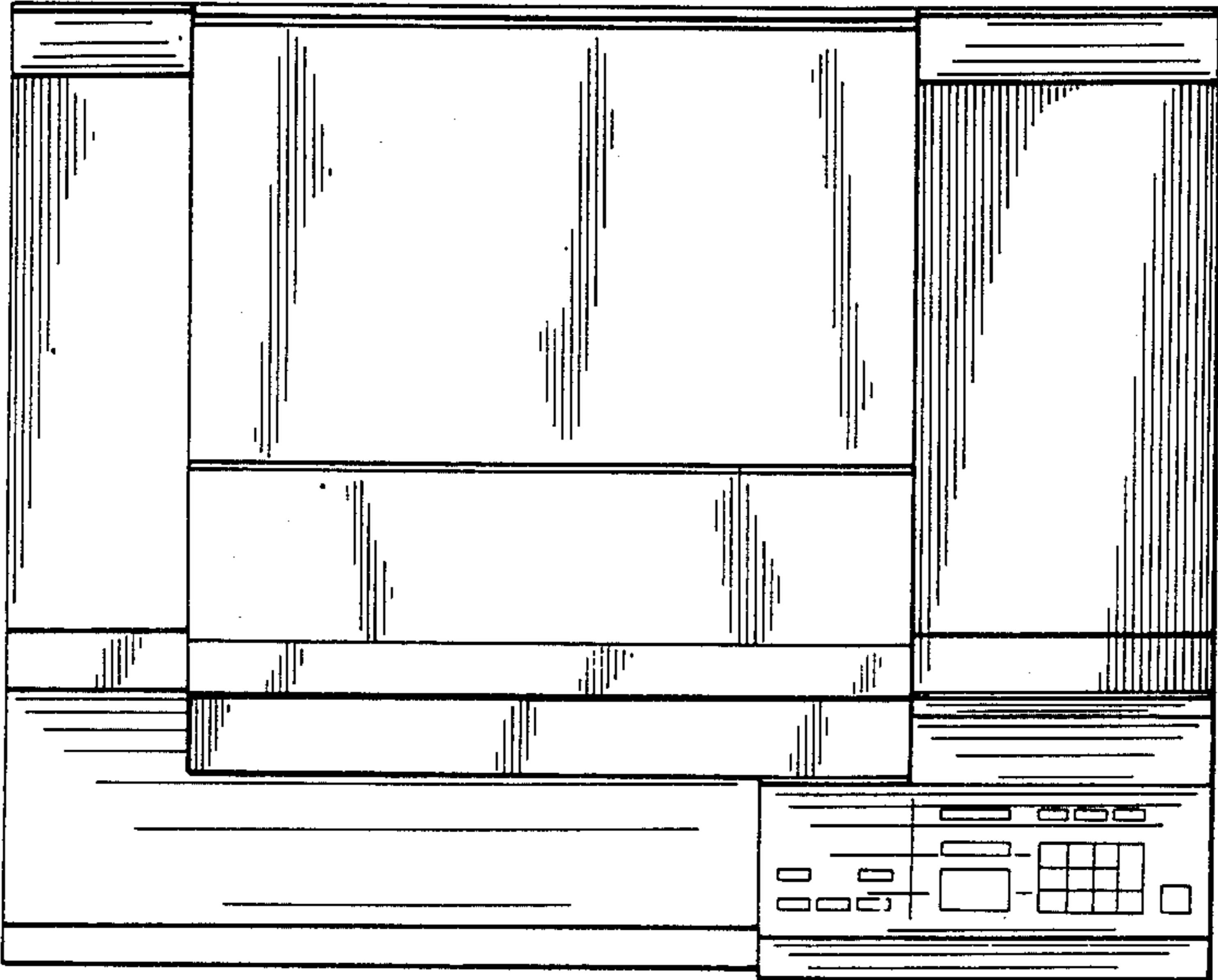


FIG. 4

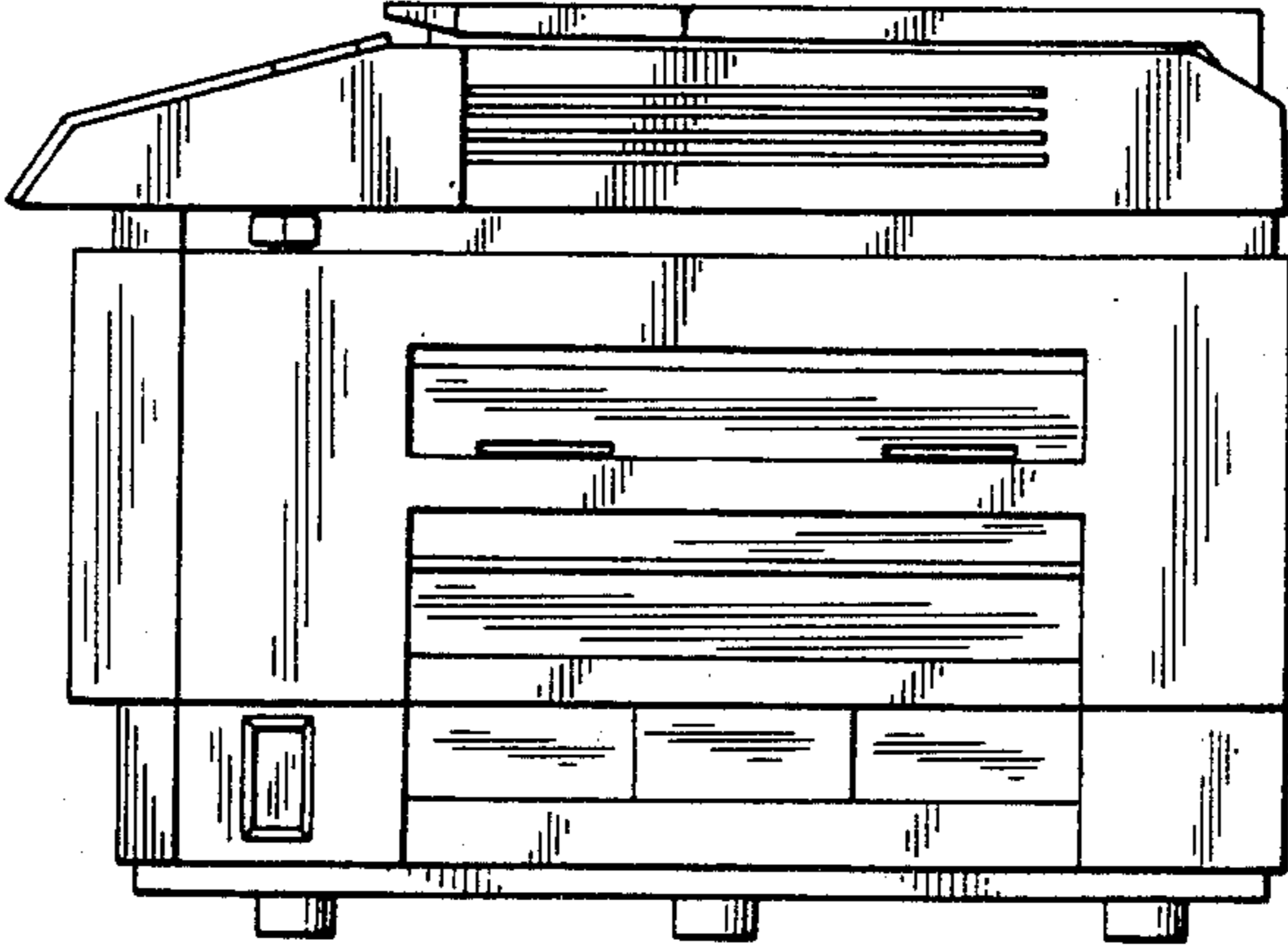


FIG. 5

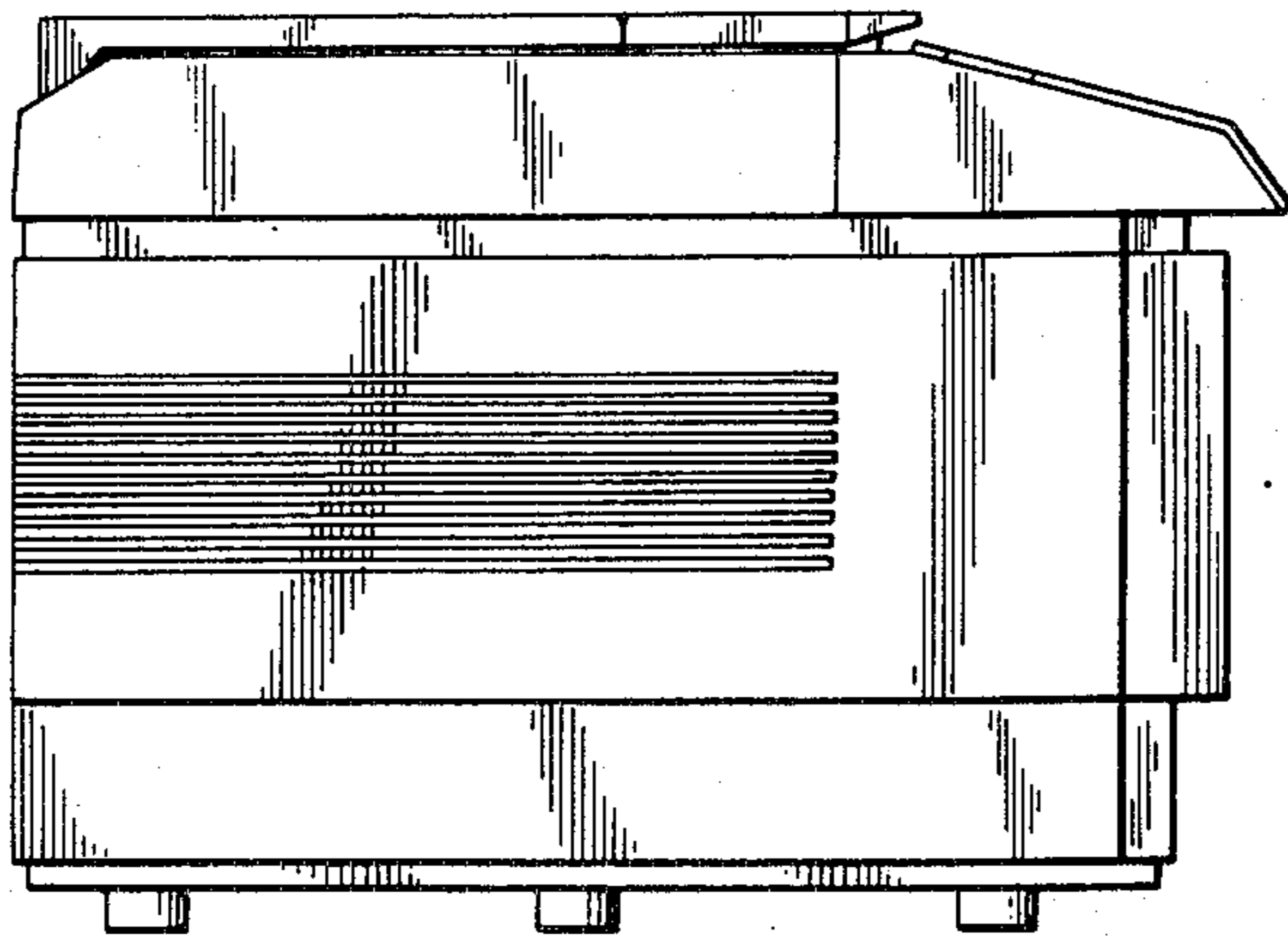


FIG. 6

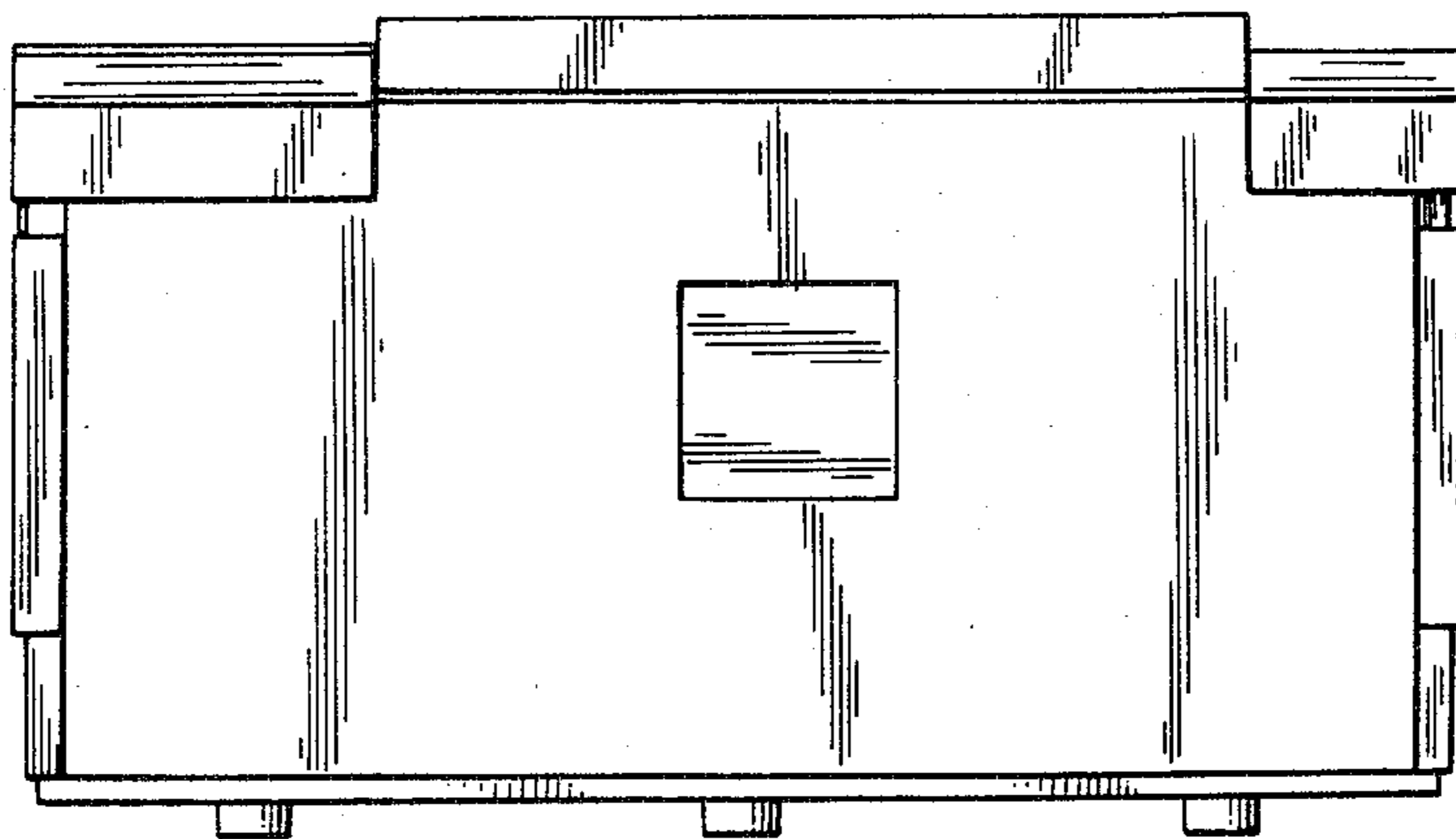


FIG. 7

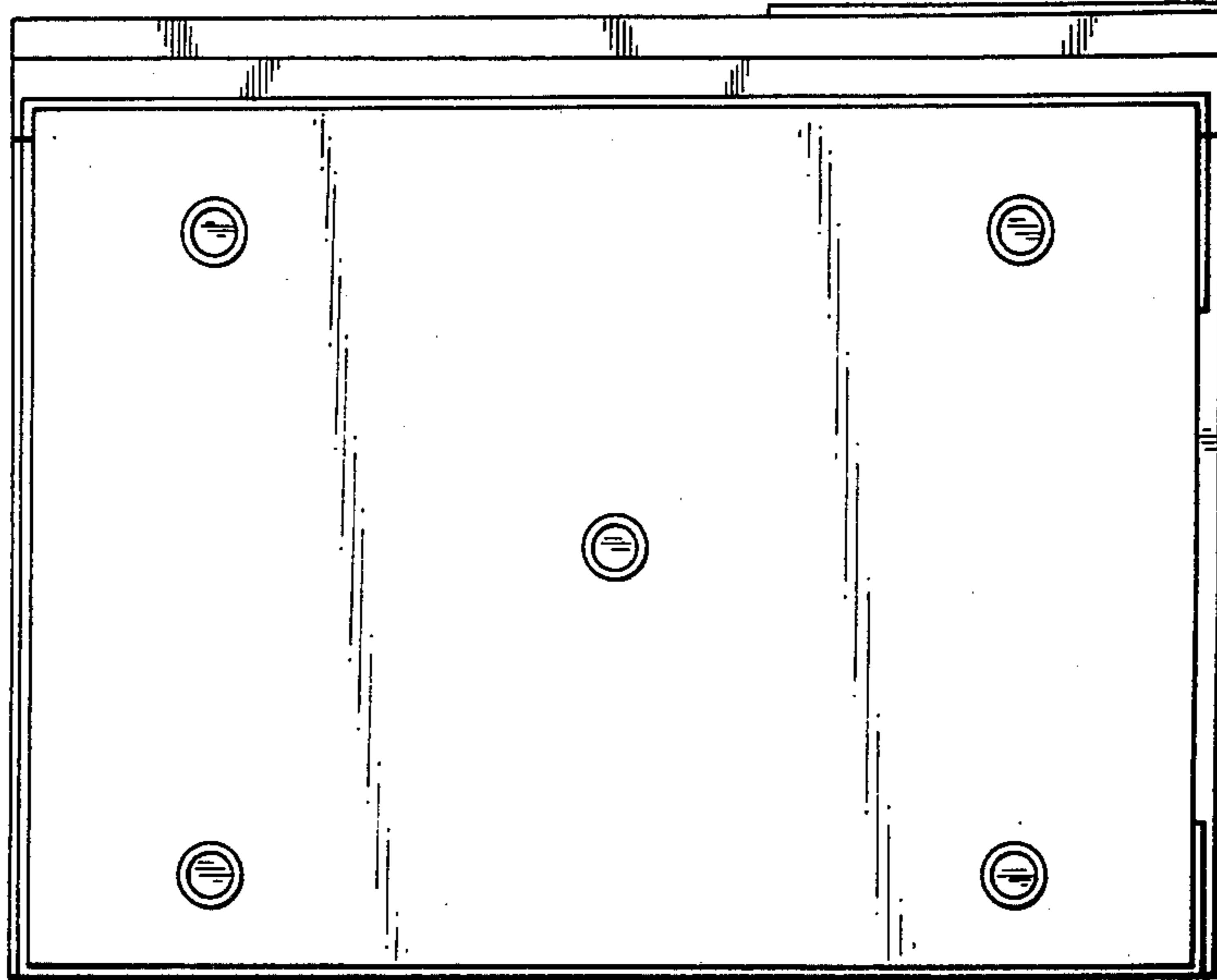


FIG. 8

