

[54] ELECTRIC AIR INFLATOR

[75] Inventor: Robert I. Somers, Raleigh, N.C.

[73] Assignee: Black & Decker, Inc., Newark, Del.

[**] Term: 14 Years

[21] Appl. No.: 578,564

[22] Filed: Feb. 9, 1984

[52] U.S. Cl. D15/7

[58] Field of Search D15/7, 9; 417/63, 231, 417/234, 236, 410-411, 415; 141/38; 222/3

[56] References Cited

U.S. PATENT DOCUMENTS

- D. 270,733 9/1983 Davis D15/9
- D. 273,958 5/1984 Mariol D15/9
- D. 275,291 8/1984 Dunlap D15/9

OTHER PUBLICATIONS

- "160 P.S.I. Air Compressor", #12-142, Hong Kong Enterprise, p. 236, Feb. 1982.
- "Power Pal", Hardware Age, p. 38, Mar. 1983.
- "Martec Deluxe Air Compressor", brochure.

"12 Volt Pocket Compressor", Intercompressor brochure, 1983.

Intercompressor Inc. Catalog. Excerpts from Black & Decker's 1982-1983 Consumer catalog.

Photo of a Coleman Compressor.

Photo of a Deluxe Compressor.

Primary Examiner—Wallace R. Burke

Assistant Examiner—Brian N. Vinson

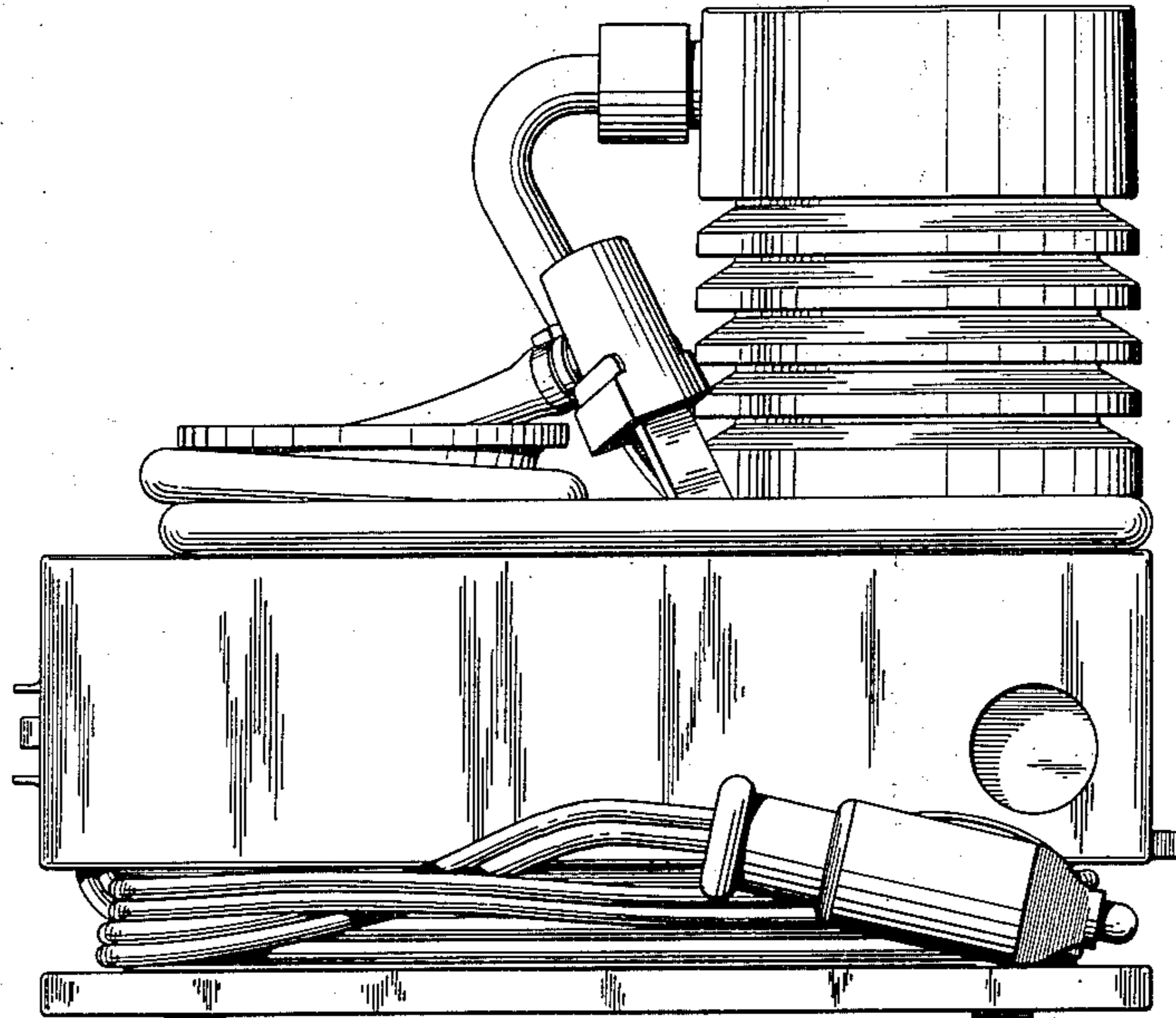
Attorney, Agent, or Firm—Finnegan, Henderson, Farabow, Garrett & Dunner

[57] CLAIM

The ornamental design for an electric air inflator, as shown and described.

DESCRIPTION

FIG. 1 is a left side elevation of an electric air inflator showing my new design;
 FIG. 2 is a right side elevation thereof;
 FIG. 3 is a top plan view of the first embodiment thereof;
 FIG. 4 is a bottom plan view thereof;
 FIG. 5 is a rear elevation thereof;
 FIG. 6 is a front elevation thereof; and
 FIG. 7 is a top plan view of the second embodiment thereof.



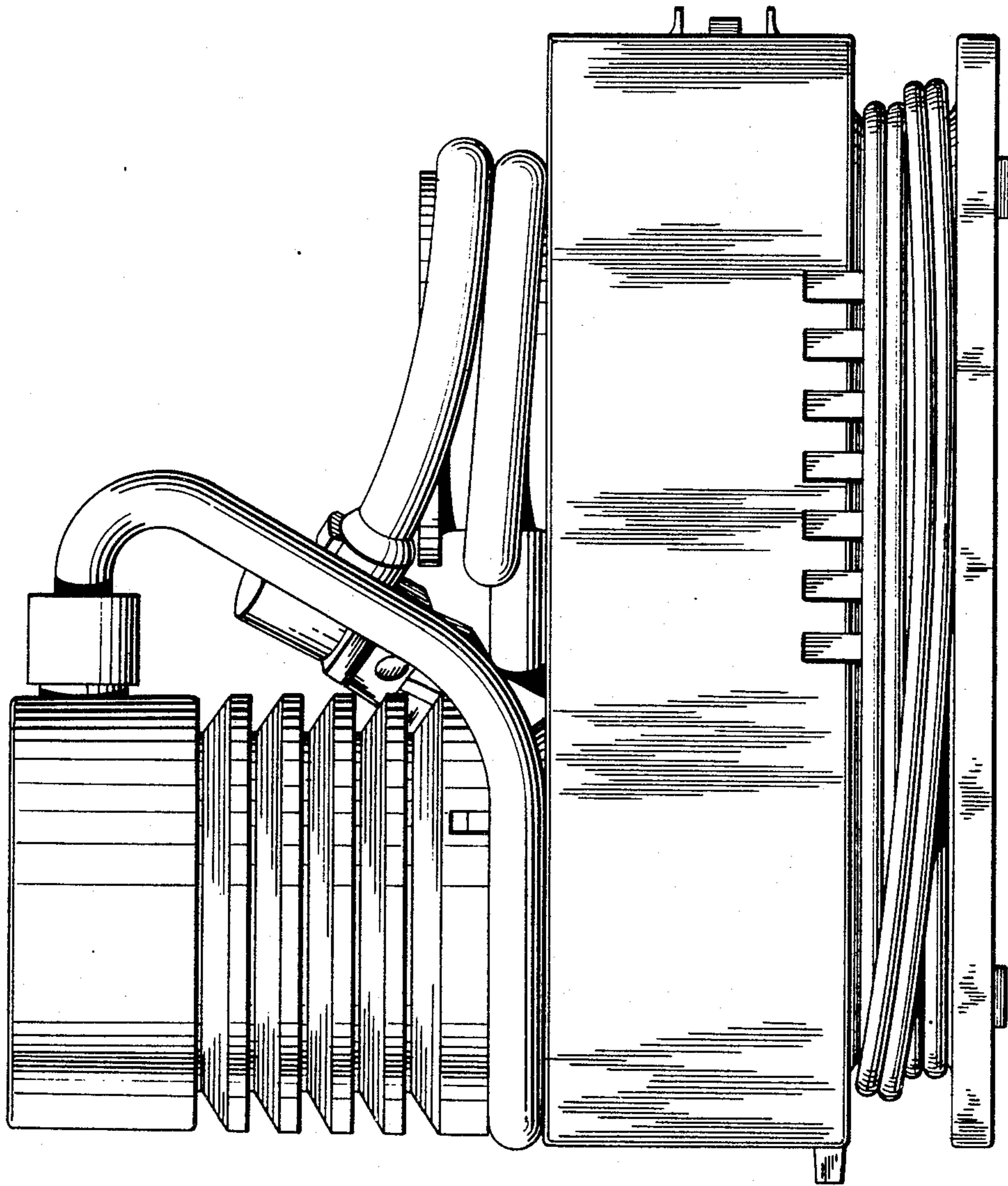


FIG. 1

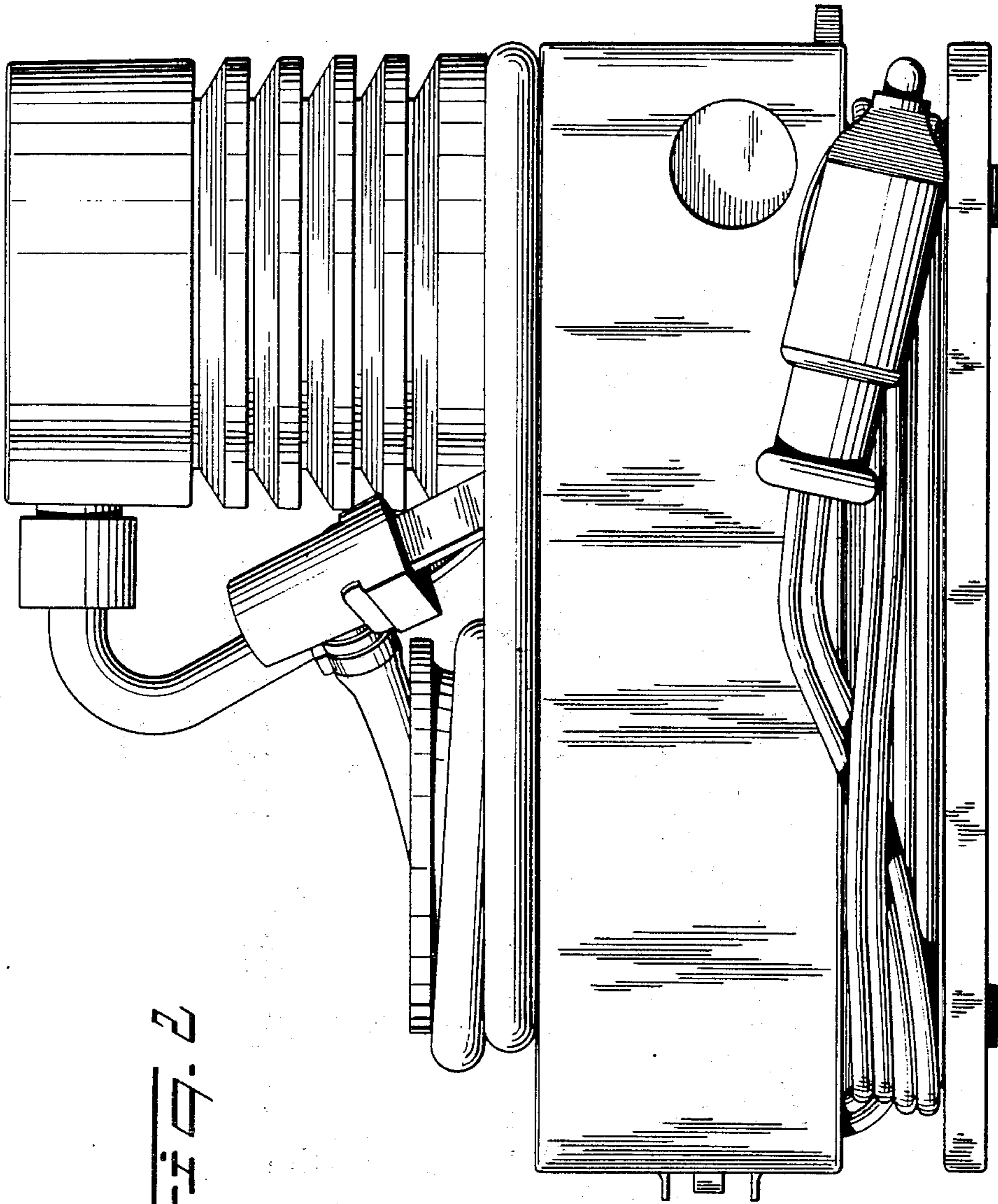


FIG. 2

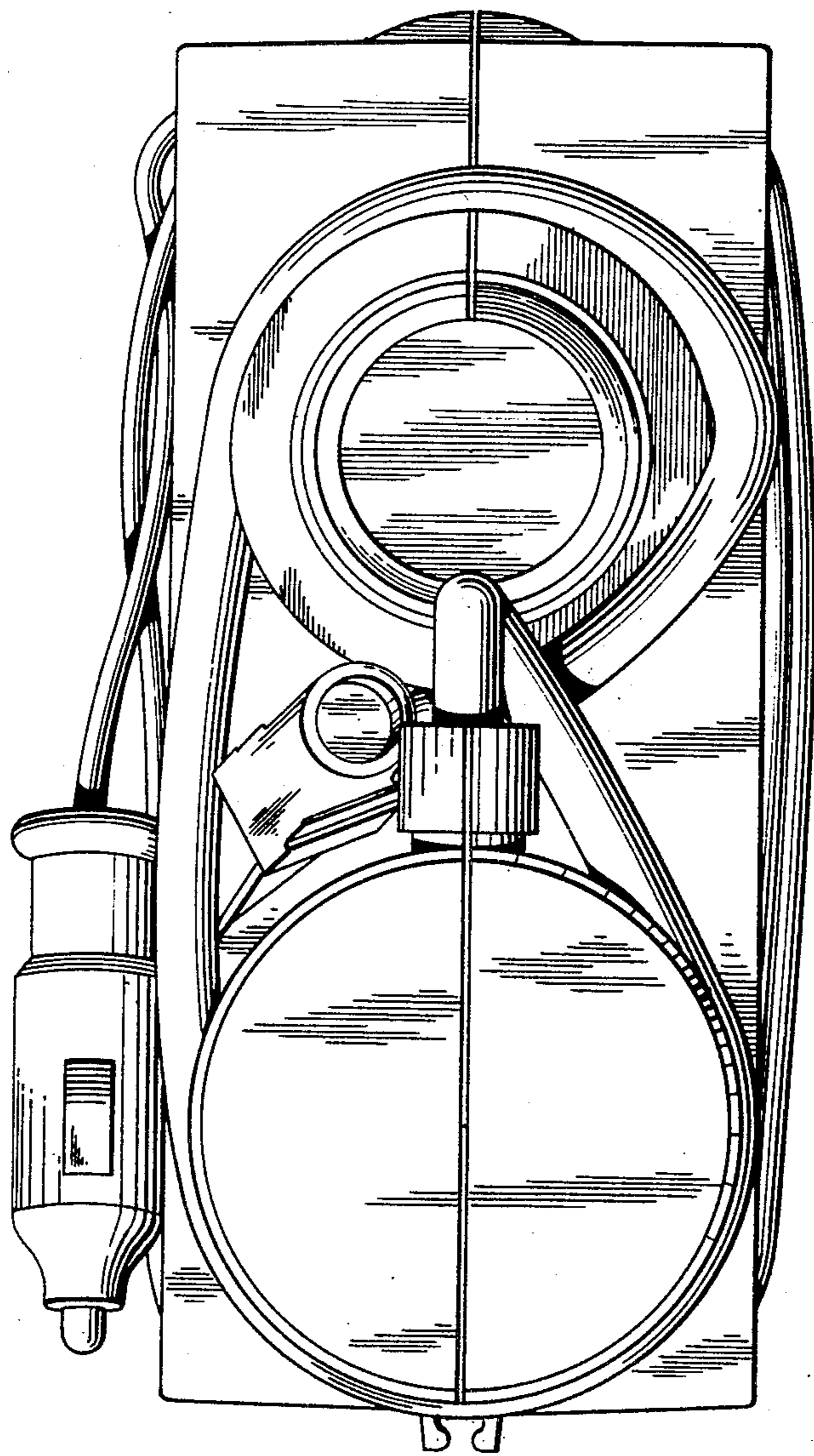
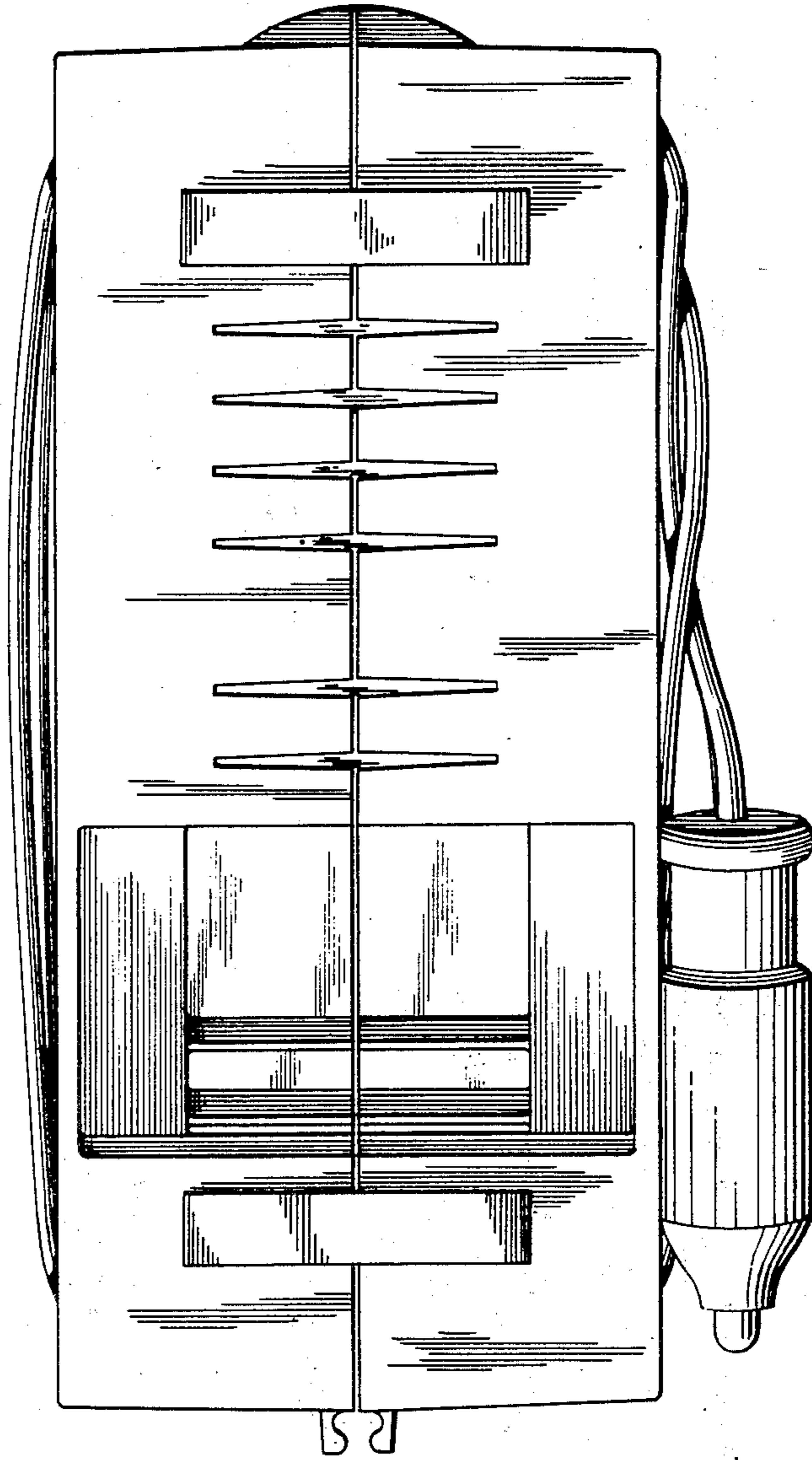


FIG. 3

FIG. 4



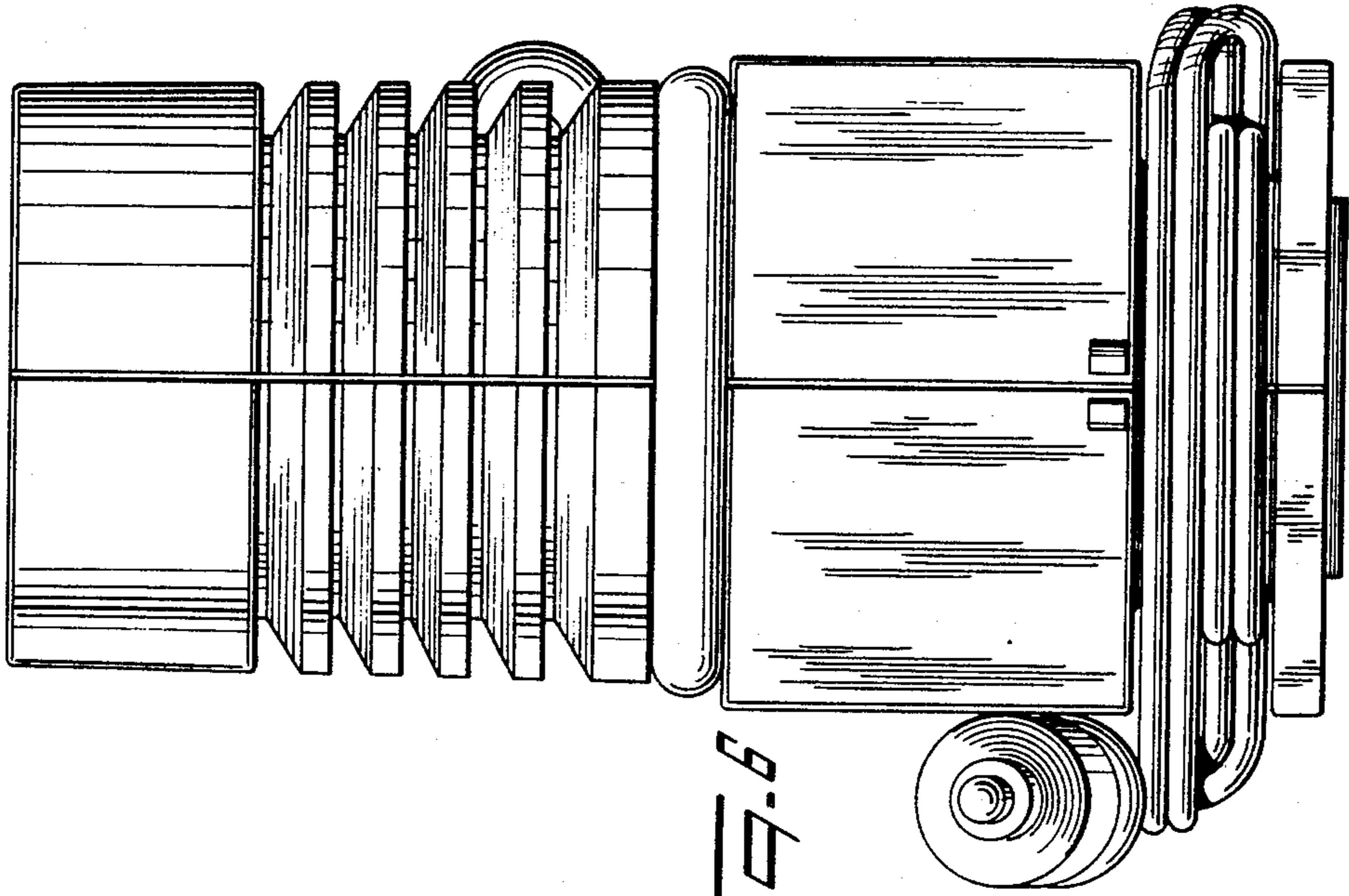


Fig. 6

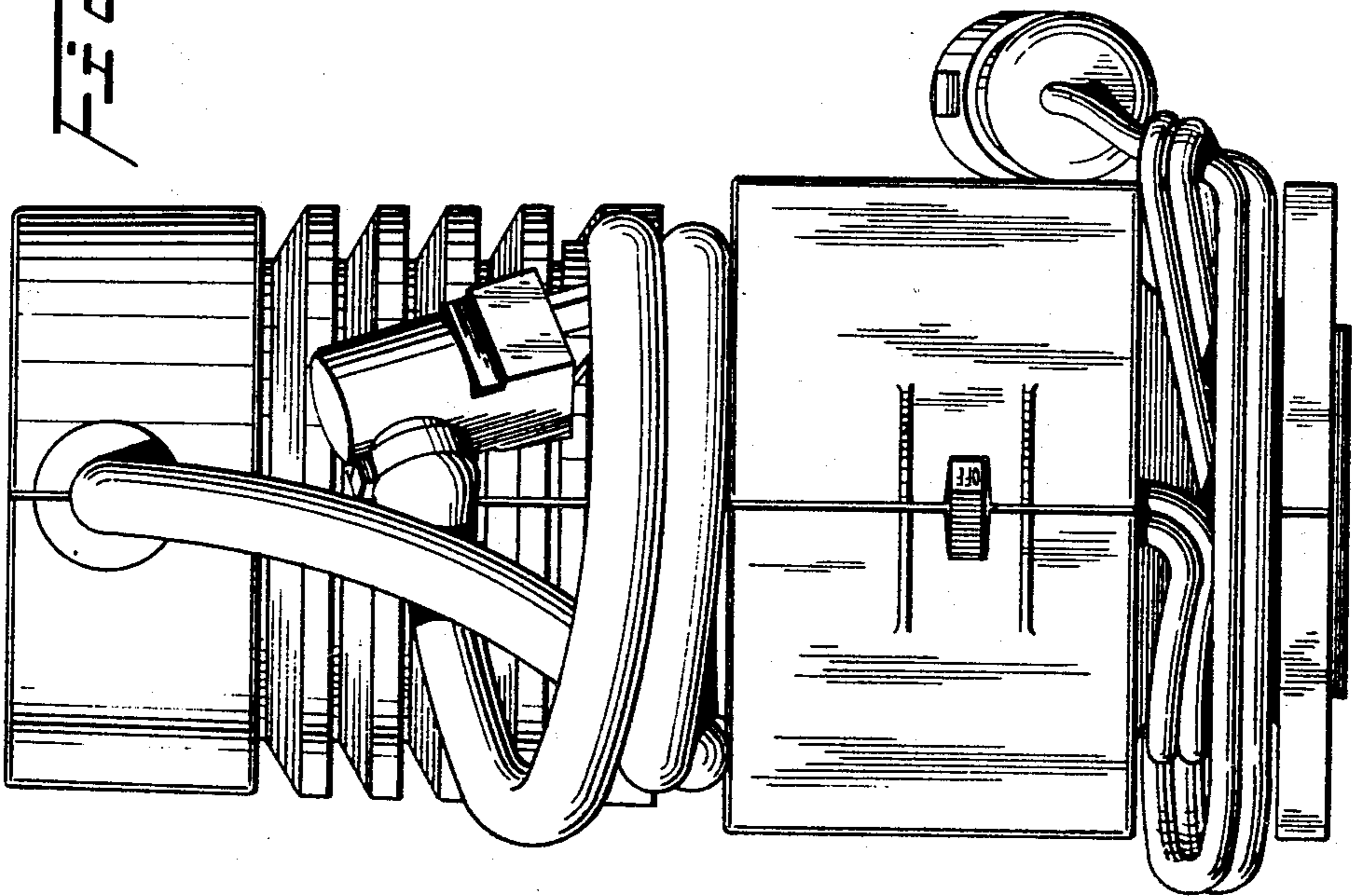


Fig. 5

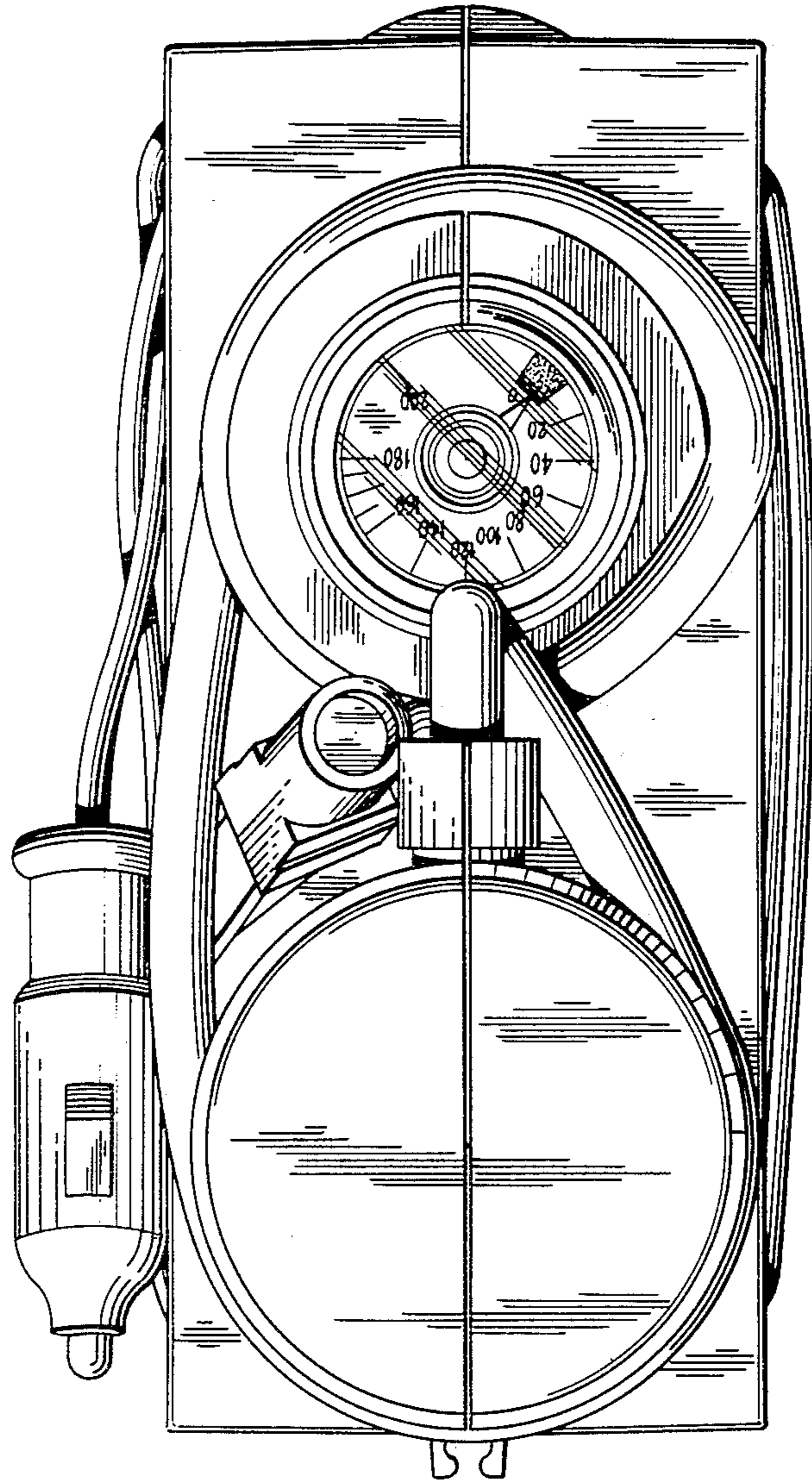


FIG. 7