

[54] KEY LOCK MOUNT FOR TELEPHONE

[76] Inventor: Irving L. Gudin, 13 Glen Dr., Bardonia, N.Y. 10954

[**] Term: 14 Years

[21] Appl. No.: 683,020

[22] Filed: Dec. 18, 1984

[52] U.S. Cl. D14/59

[58] Field of Search D14/59; 179/189 R; 179/189 D

[56] References Cited

U.S. PATENT DOCUMENTS

- D. 230,737 3/1974 Roof D14/59
- D. 239,179 3/1976 Halser D14/59
- 2,641,659 6/1953 Benson 179/189 R
- 2,683,778 7/1954 Gilmore et al. 179/189 R
- 3,495,050 2/1970 Bart 179/189 R
- 3,624,317 11/1971 Buckingham 179/189 D
- 4,476,354 10/1984 Uchino et al. 179/189 R

FOREIGN PATENT DOCUMENTS

- 2916630 11/1980 Fed. Rep. of Germany ... 179/189 D

OTHER PUBLICATIONS

Advertisement from Dewey Mfg. Co. ©1972: "Protekt-A-Phone".

Primary Examiner—Wallace R. Burke
Assistant Examiner—Horace B. Fay

[57] CLAIM

The ornamental design for a key lock mount for telephone, as shown and described.

DESCRIPTION

FIG. 1 is a front elevational view of a key lock mount for telephone showing my new design, with the broken line showing of a telephone outline being for illustrative enviromental associational purposes only and forming no part of the claimed design;

FIG. 2 is a top and rear perspective view thereof;

FIG. 3 is a right side elevational view thereof;

FIG. 4 is a bottom plan view thereof;

FIG. 5 is a rear elevational view thereof in locked condition; and

FIG. 6 is a rear elevational view thereof in unlocked condition.

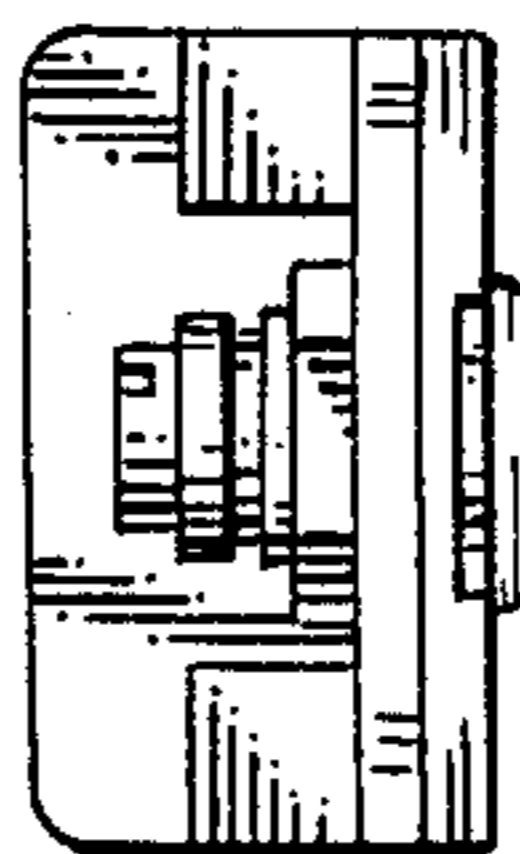
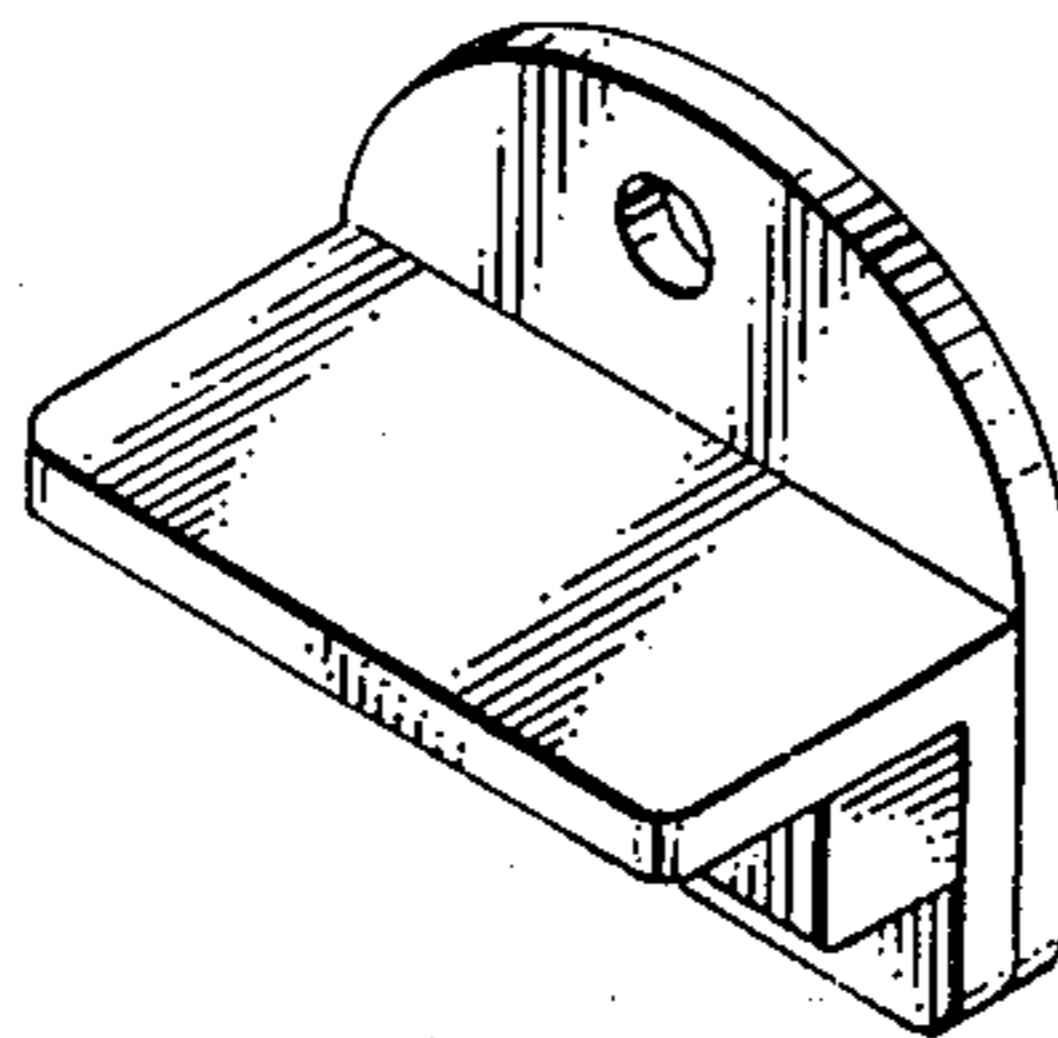


FIG. 1

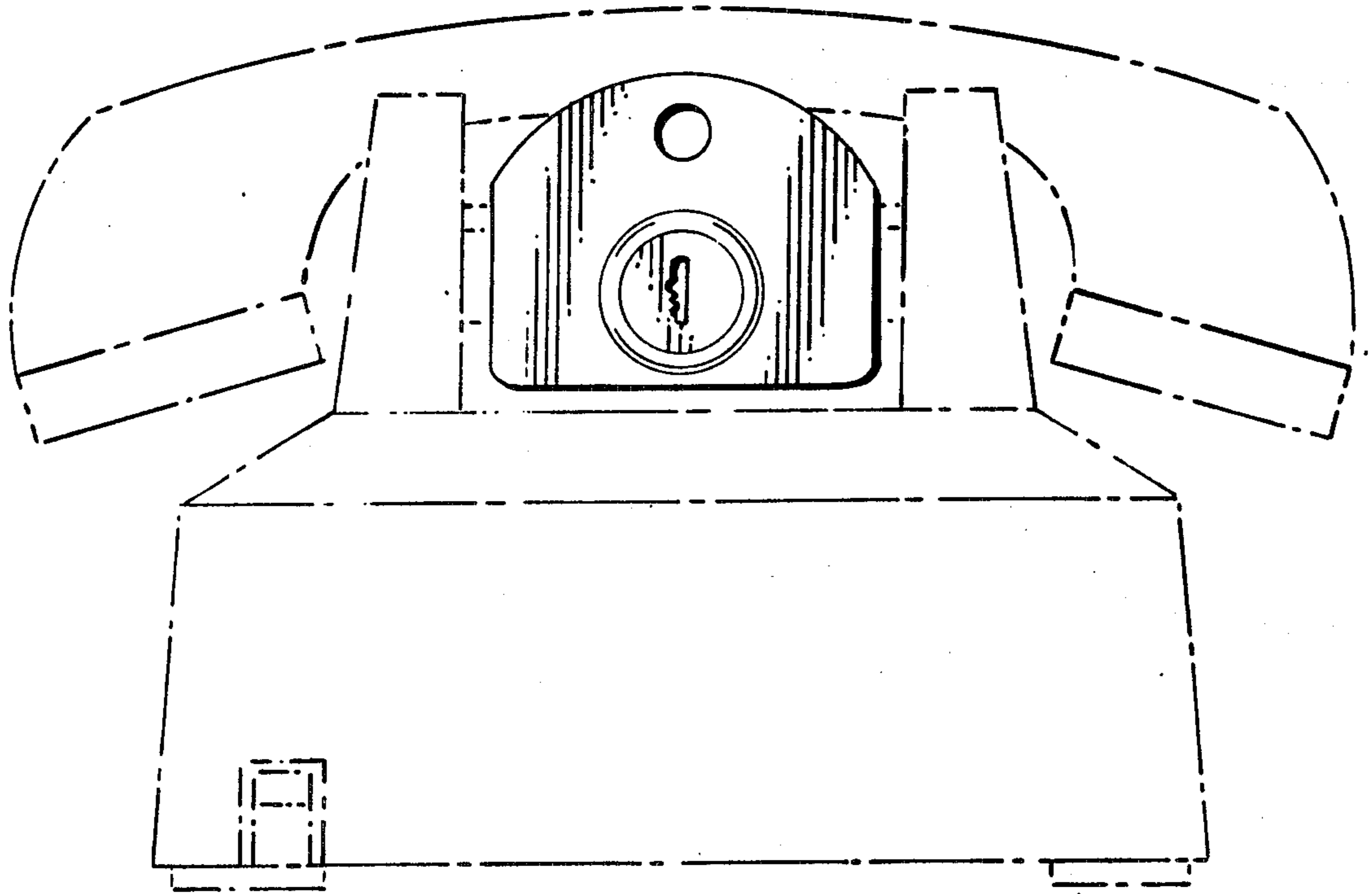


FIG. 2

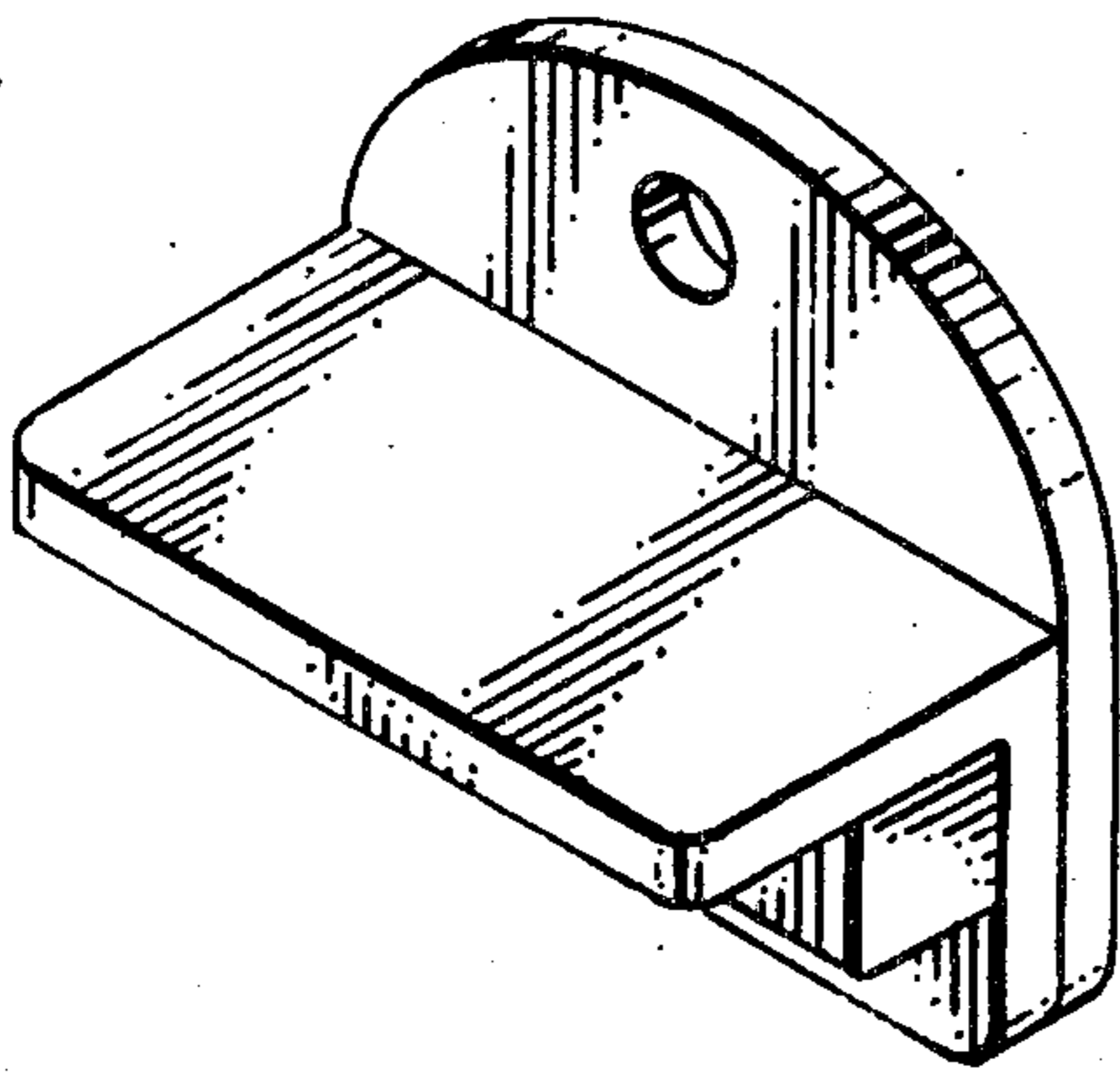


FIG. 3

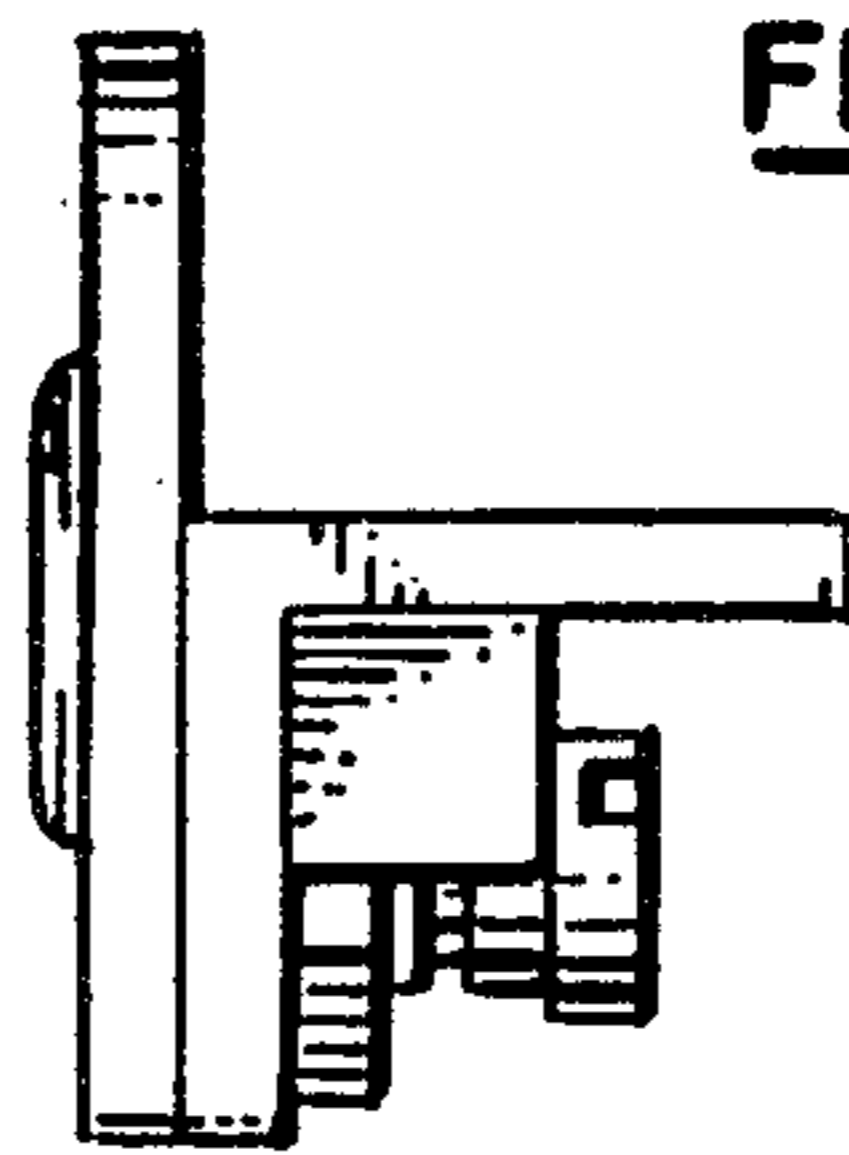


FIG. 4

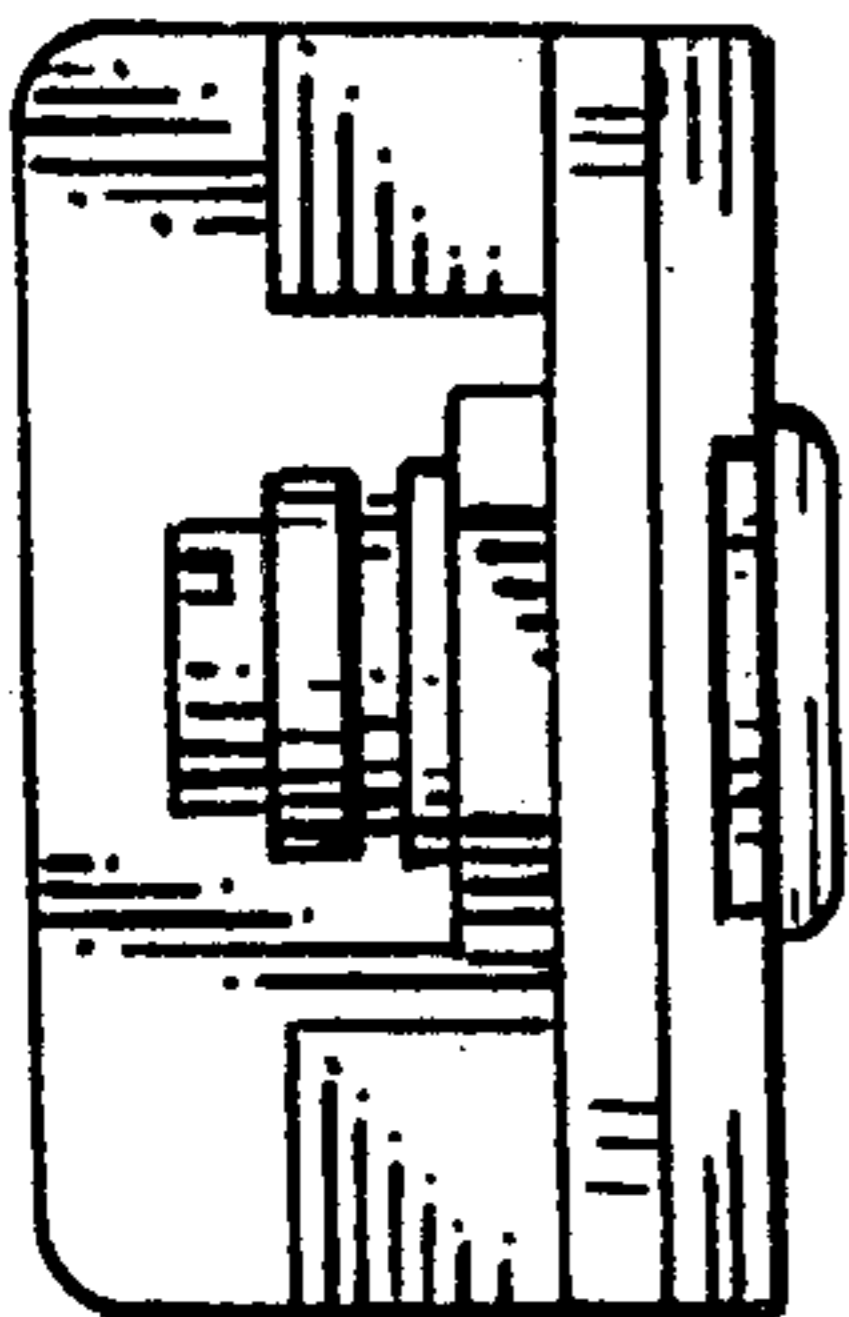


FIG. 5

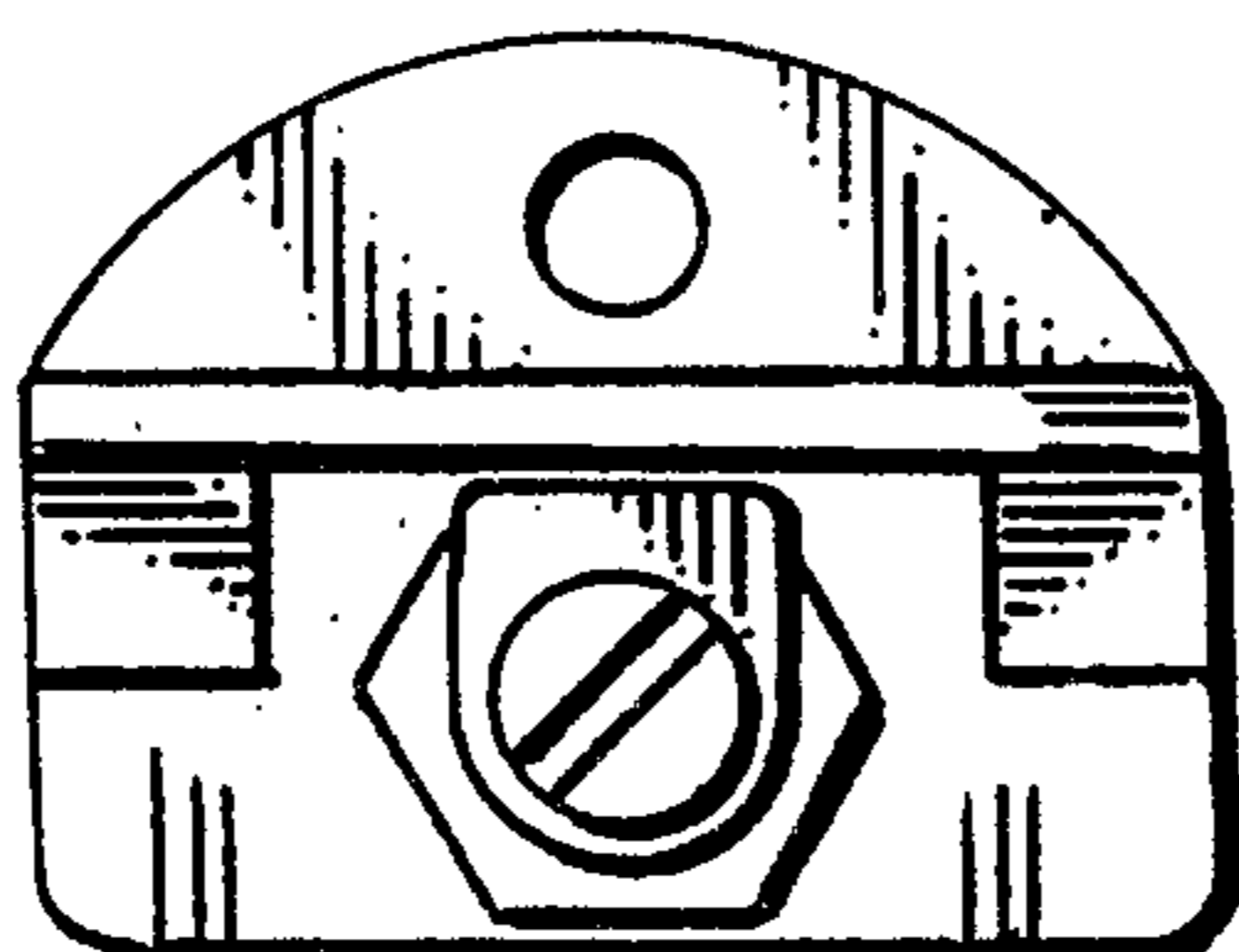


FIG. 6

