

[54] WALL TELEPHONE

[75] Inventors: Eric H. Geis; Thomas P. Eisenstadt; Kurt Kauffman; Robert E. Lee, all of Burbank, Calif.

[73] Assignee: TeleQuest, Inc., Burbank, Calif.

[\*\*] Term: 14 Years

[21] Appl. No.: 662,369

[22] Filed: Oct. 18, 1984

[52] U.S. Cl. .... D14/56; D14/62; D14/53

[58] Field of Search ..... D14/52, 53, 56, 58, D14/59, 60, 61, 62, 63, 72; D21/111; 179/179, 100 R, 100 D, 100 C, 100 L, 101, 103

[56] References Cited

U.S. PATENT DOCUMENTS

D. 57,700	4/1921	McLarn	.....	D14/62
D. 177,953	6/1956	Young	.....	D14/72
D. 264,211	5/1982	Hillmer	.....	D14/53
D. 274,048	5/1984	Wong	.....	D14/57
D. 274,518	7/1984	Doodson	.....	D14/56
D. 279,372	6/1985	Baba et al.	.....	D14/63
3,659,050	4/1972	Carlsson et al.	.....	179/100 L
3,707,607	12/1972	Reddick	.....	179/100 L

FOREIGN PATENT DOCUMENTS

2305488	8/1974	Fed. Rep. of Germany ...	179/100 L
2415395	9/1979	France	179/100 L
1393219	5/1975	United Kingdom	179/100 L

OTHER PUBLICATIONS

GTE Article Automatic El. Labs., 3-1977, by W. J. Ruffer & W. F. Wernet, at p. 276, Fig. 1 Residential Speaker phone.

Spiegel Cat. 1983 Fall © at p. 606: showing of "Celebrity", Model A item, and page Model K "Rendez-Vous" showing.

Primary Examiner—Wallace R. Burke

Assistant Examiner—Horace B. Fay

Attorney, Agent, or Firm—Spensley Horn Jubas & Lubitz

[57] CLAIM

The ornamental design for a wall telephone, as shown and described.

DESCRIPTION

FIG. 1 is a perspective view of the front and right side of a wall telephone showing our new design;

FIG. 2 is a front elevational view of the telephone as oriented in FIG. 1;

FIG. 3 is a right side elevational view thereof;

FIG. 4 is a bottom plan view thereof;

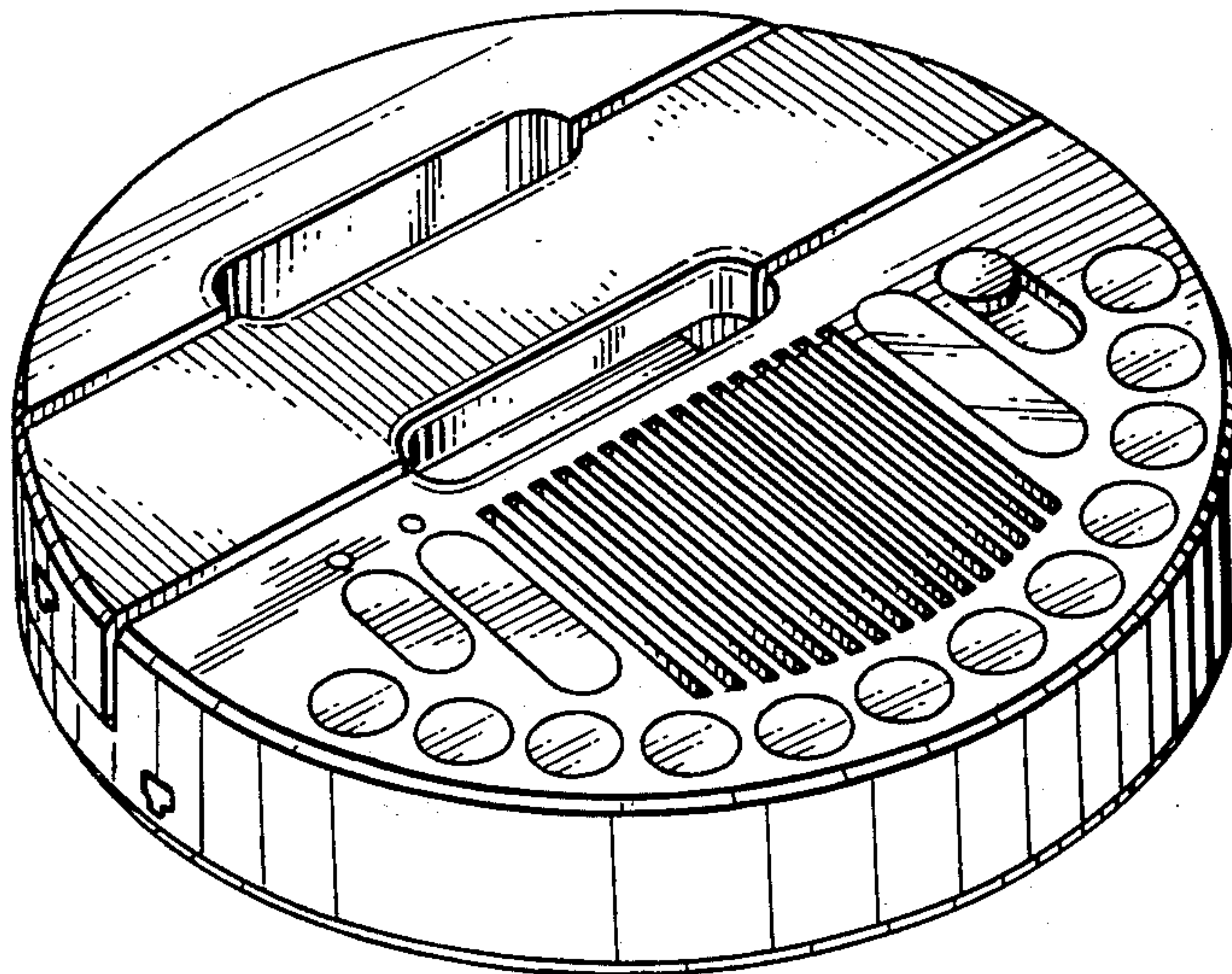
FIG. 5 is a top plan view thereof;

FIG. 6 is a left side elevational view thereof;

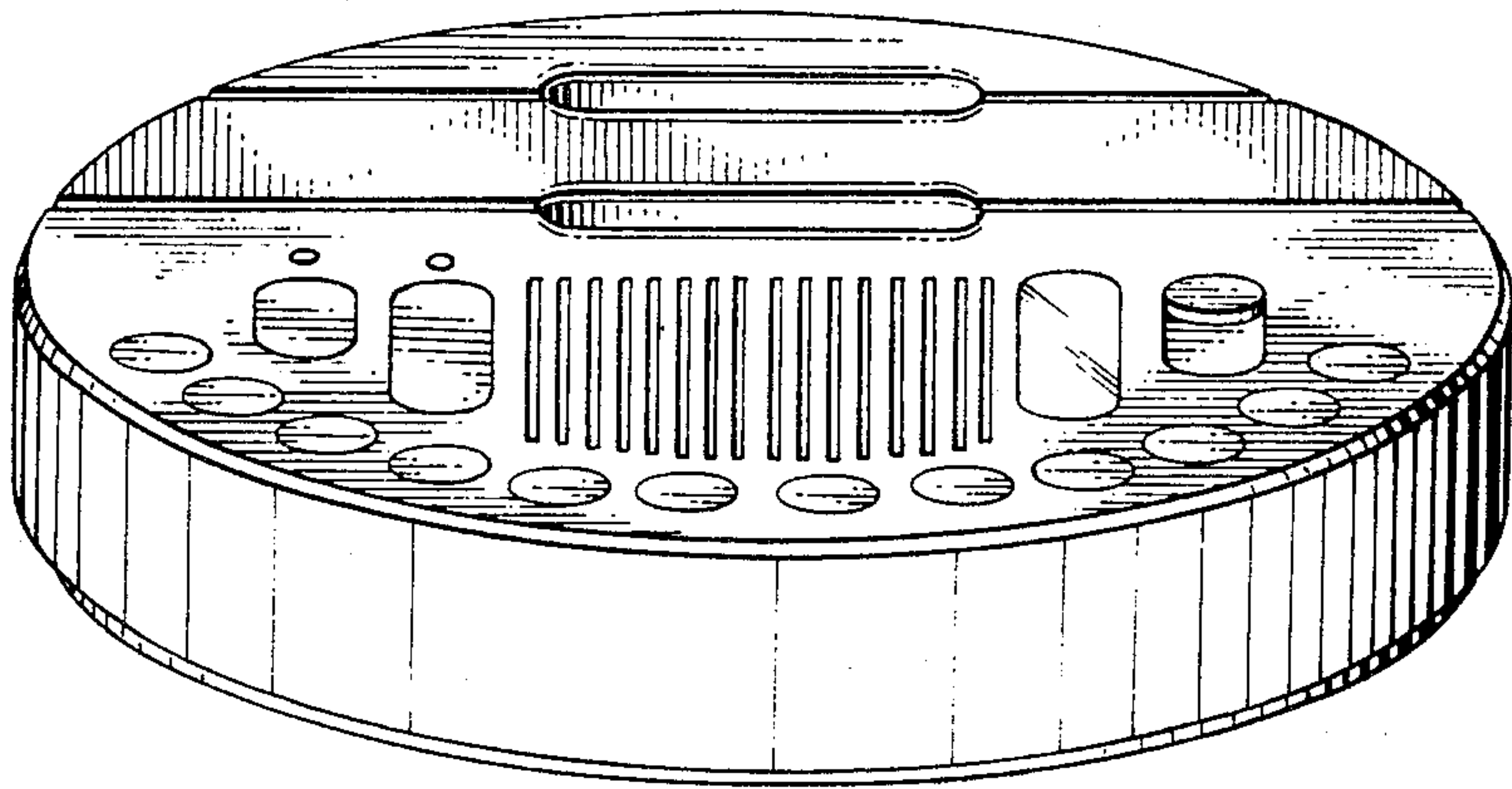
FIG. 7 is a rear elevational view thereof; and

FIG. 8 is a perspective view thereof taken from an altered orientation.

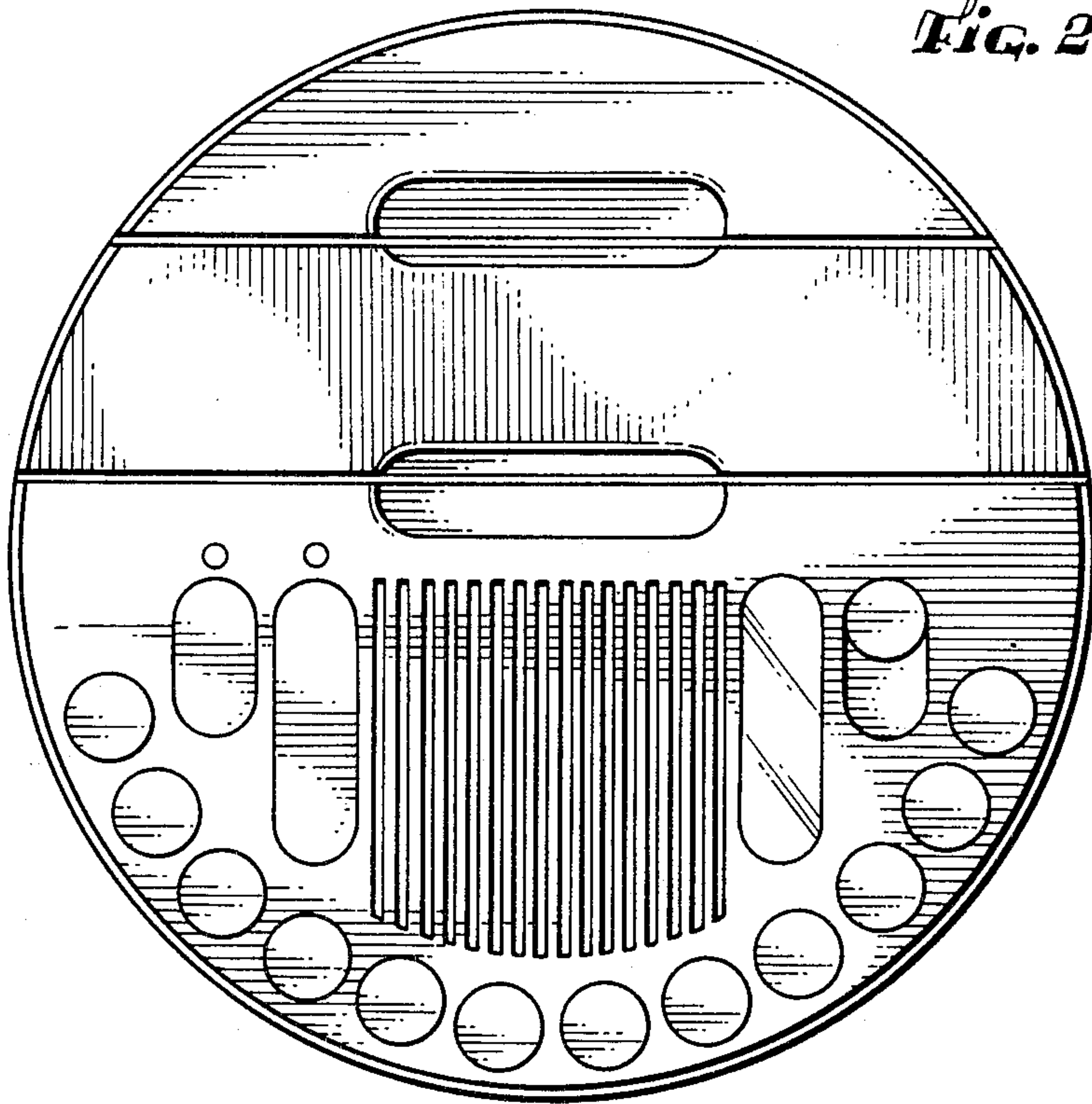
It will be understood that the orientation of FIGS. 3-7 is the same as in FIGS. 1 and 2.



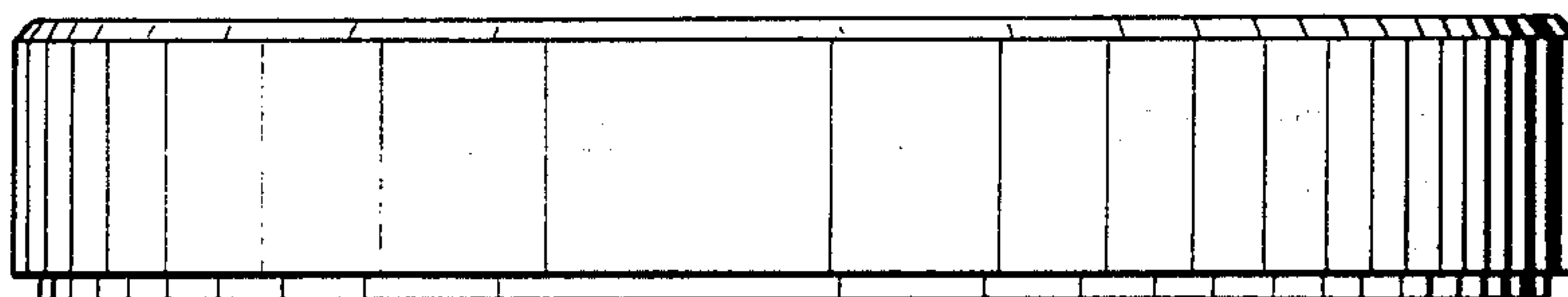
*Fig. 1*



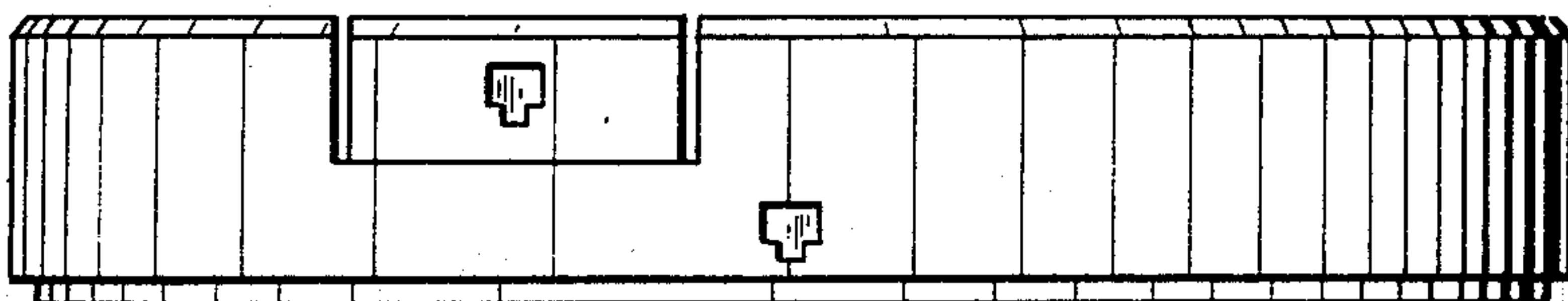
*Fig. 2*



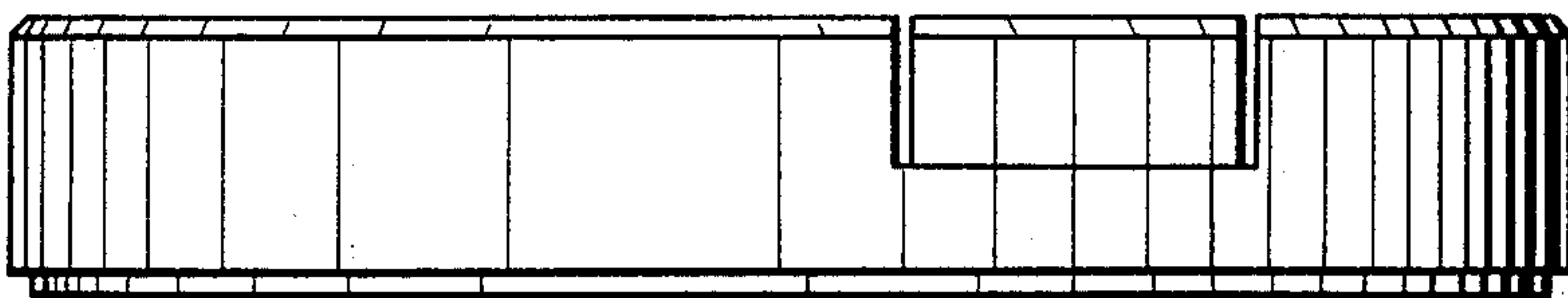
*Fig. 3*



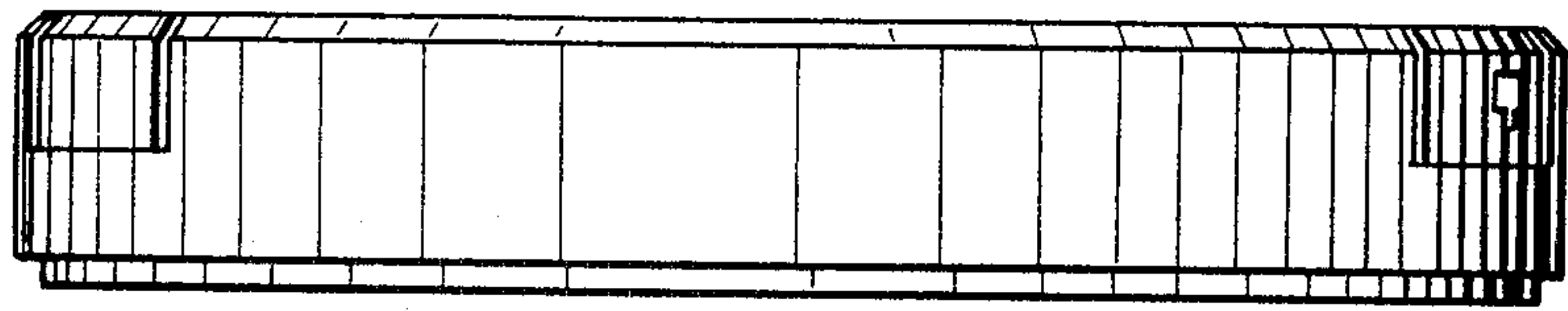
*Fig. 4*



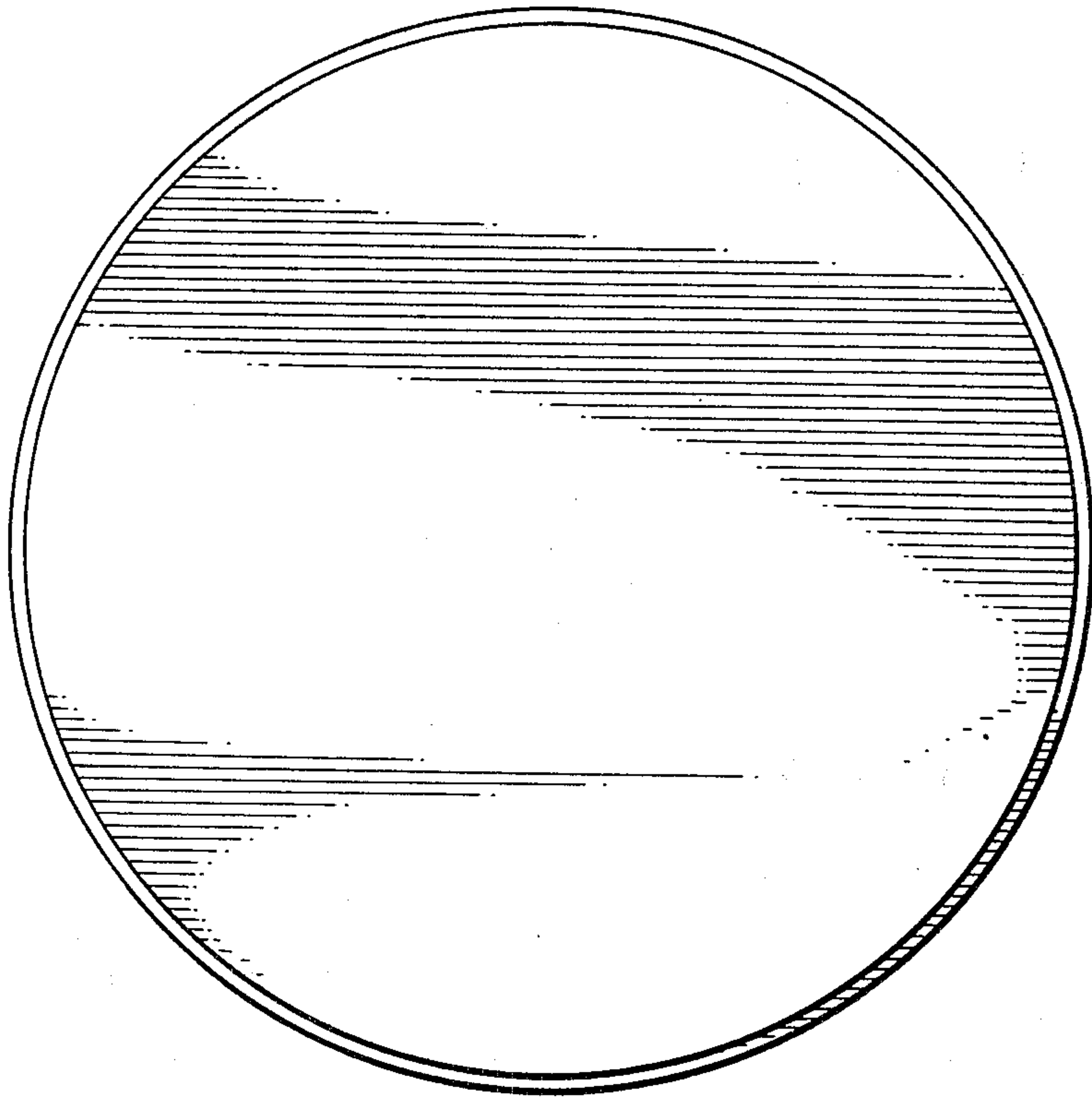
*Fig. 5*



*FIG. 6*



*FIG. 7*





*Fig. 8*

