

[54] COMBINED SPEAKER DIAPHRAGM AND Baffle THEREFOR

[76] Inventor: Erazm A. Willy, 128 Country Manor Way, Apt. #7, Webster, N.Y. 14580

[\*\*] Term: 14 Years

[21] Appl. No.: 500,431

[22] Filed: Jun. 2, 1983

[52] U.S. Cl. .... D14/30; D14/37

[58] Field of Search ..... D14/30-34, D14/37, 39; 181/159, 171-174

[56] References Cited

U.S. PATENT DOCUMENTS

D. 69,845	4/1926	Manson	.....	D14/34
D. 100,216	6/1936	Little	.....	D14/34
1,454,913	5/1923	Tigerstedt	.....	181/171
1,465,019	8/1923	Mattausch	.....	181/174 X
3,033,945	5/1962	Villchur	.....	181/172 X
3,935,400	1/1976	Koga	.....	181/173 X
4,016,953	4/1977	Butler	.....	181/171 X

FOREIGN PATENT DOCUMENTS

153621 12/1979 Japan ..... 181/172

Primary Examiner—Bernard Ansher

Assistant Examiner—Theodore M. Shooman

Attorney, Agent, or Firm—Antonelli, Terry & Wands

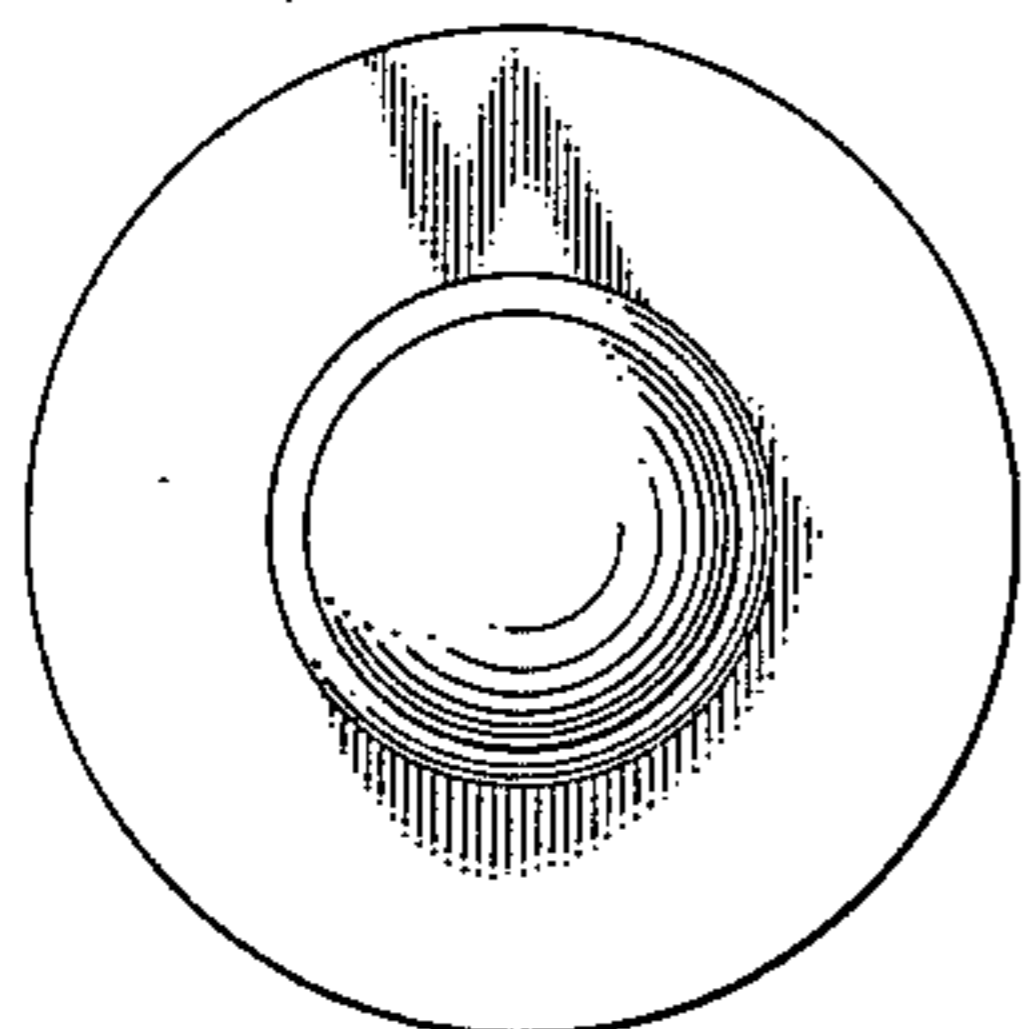
[57] CLAIM

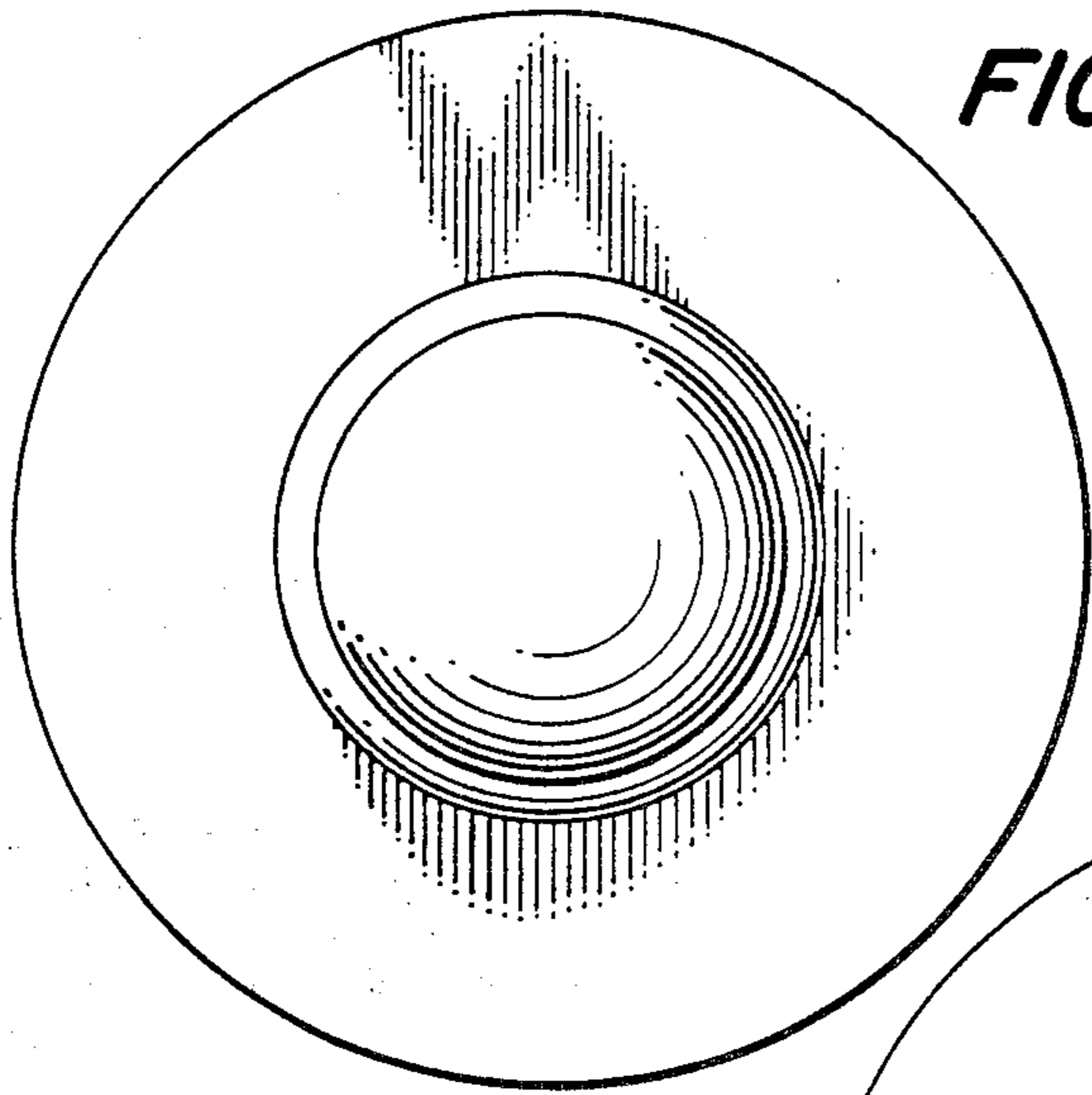
The ornamental design of a combined speaker diaphragm and baffle therefor, as shown and described.

DESCRIPTION

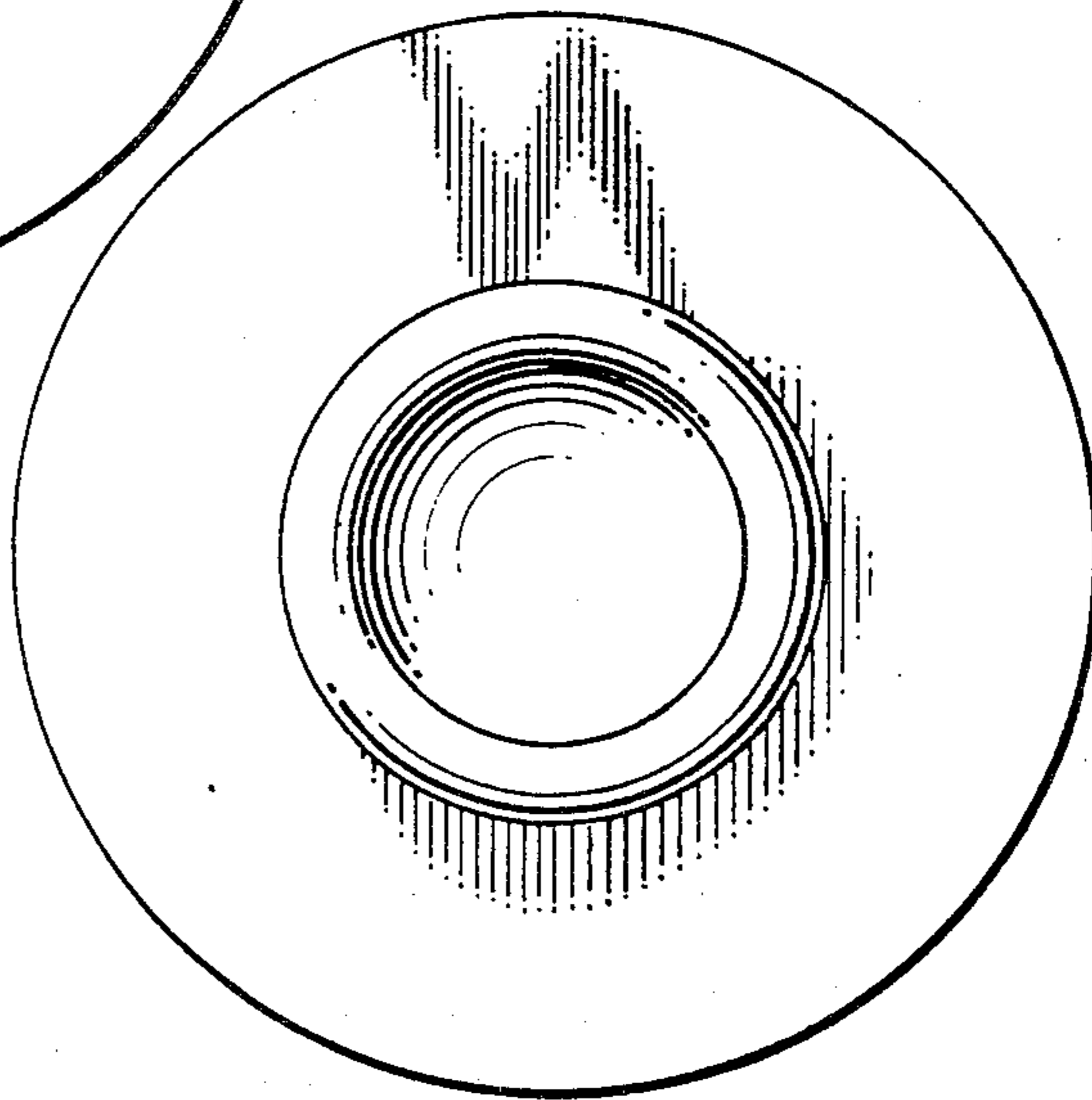
FIG. 1 is a front elevational view of a combined speaker diaphragm and baffle therefor showing my new design;  
 FIG. 2 is a rear elevational view thereof;  
 FIG. 3 is a side elevational view thereof;  
 FIG. 4 is a front elevational view of a second embodiment of the speaker diaphragm and baffle;  
 FIG. 5 is a front elevational view of a third embodiment of the speaker diaphragm and baffle;  
 FIG. 6 is a rear elevational view of the embodiment of FIG. 5;  
 FIG. 7 is a side elevational view of the embodiment of FIG. 5;  
 FIG. 8 is a front elevational view of a fourth embodiment of the speaker diaphragm and baffle;

FIG. 9 is a front elevational view of a fifth embodiment of the speaker diaphragm and baffle;  
 FIG. 10 is a rear elevational view of the embodiment of FIG. 9;  
 FIG. 11 is a side elevational view of the embodiment of FIG. 9;  
 FIG. 12 is a front elevational view of a sixth embodiment of the speaker diaphragm and baffle;  
 FIG. 13 is a front elevational view of a seventh embodiment of the speaker diaphragm and baffle;  
 FIG. 14 is a rear elevational view of the embodiment of FIG. 13;  
 FIG. 15 is a side elevational view of the embodiment of FIG. 13;  
 FIG. 16 is a front elevational view of an eighth embodiment of the speaker diaphragm and baffle;  
 FIG. 17 is a front elevational view of a ninth embodiment of the speaker diaphragm and baffle;  
 FIG. 18 is a rear elevational view of the embodiment of FIG. 17;  
 FIG. 19 is a side elevational view of the embodiment of FIG. 17;  
 FIG. 20 is a front elevational view of a tenth embodiment of the speaker diaphragm and baffle;  
 FIG. 21 is a front elevational view of an eleventh embodiment of the speaker diaphragm and baffle;  
 FIG. 22 is a rear elevational view of the embodiment of FIG. 21;  
 FIG. 23 is a side elevational view of the embodiment of FIG. 21;  
 FIG. 24 is a front elevational view of a twelfth embodiment of the speaker diaphragm and baffle;  
 FIG. 25 is a front elevational view of a thirteenth embodiment of the speaker diaphragm and baffle;  
 FIG. 26 is a rear elevational view of the embodiment of FIG. 25;  
 FIG. 27 is a side elevational view of the embodiment of FIG. 25;  
 FIG. 28 is a front elevational view of a fourteenth embodiment of the speaker diaphragm and baffle;  
 FIG. 29 is a front elevational view of a fifteenth embodiment of the speaker diaphragm and baffle;  
 FIG. 30 is a rear elevational view of the embodiment of FIG. 29;  
 FIG. 31 is a side elevational view of the embodiment of FIG. 29; and  
 FIG. 32 is a top plan view of the embodiment of FIG. 29; the bottom plan view being a mirror image.

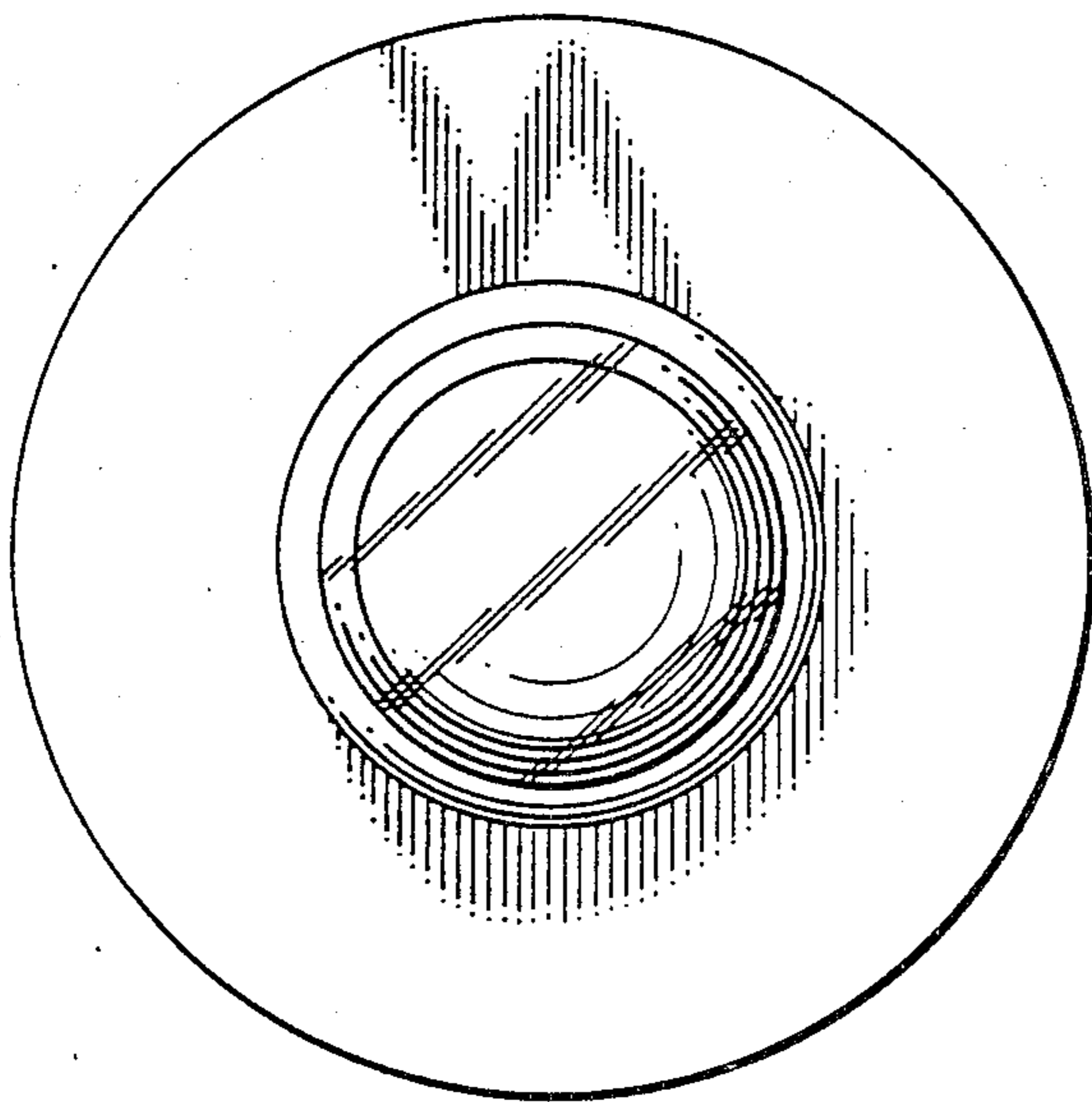




**FIG. 1**



**FIG. 2**

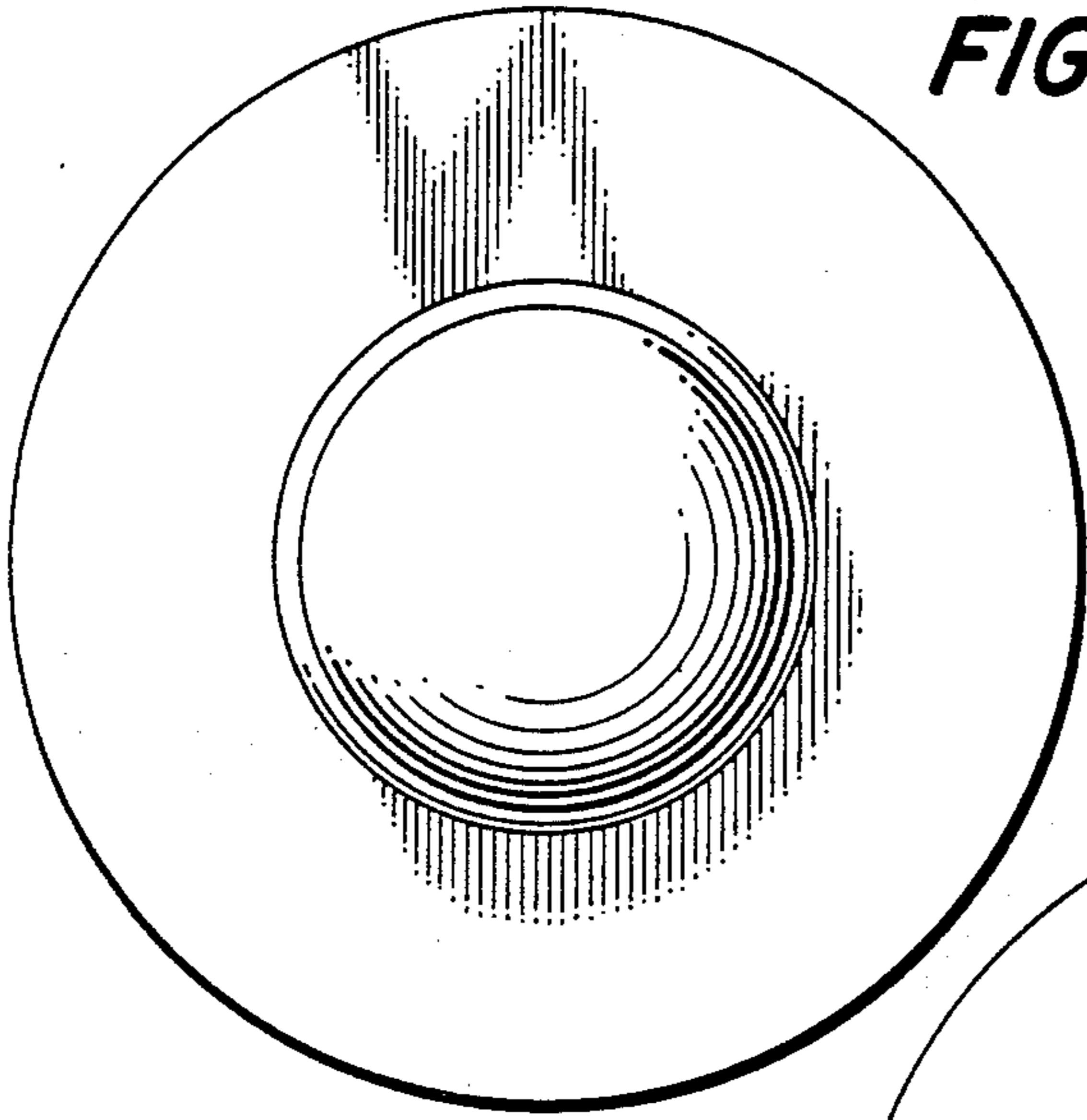


**FIG. 4**

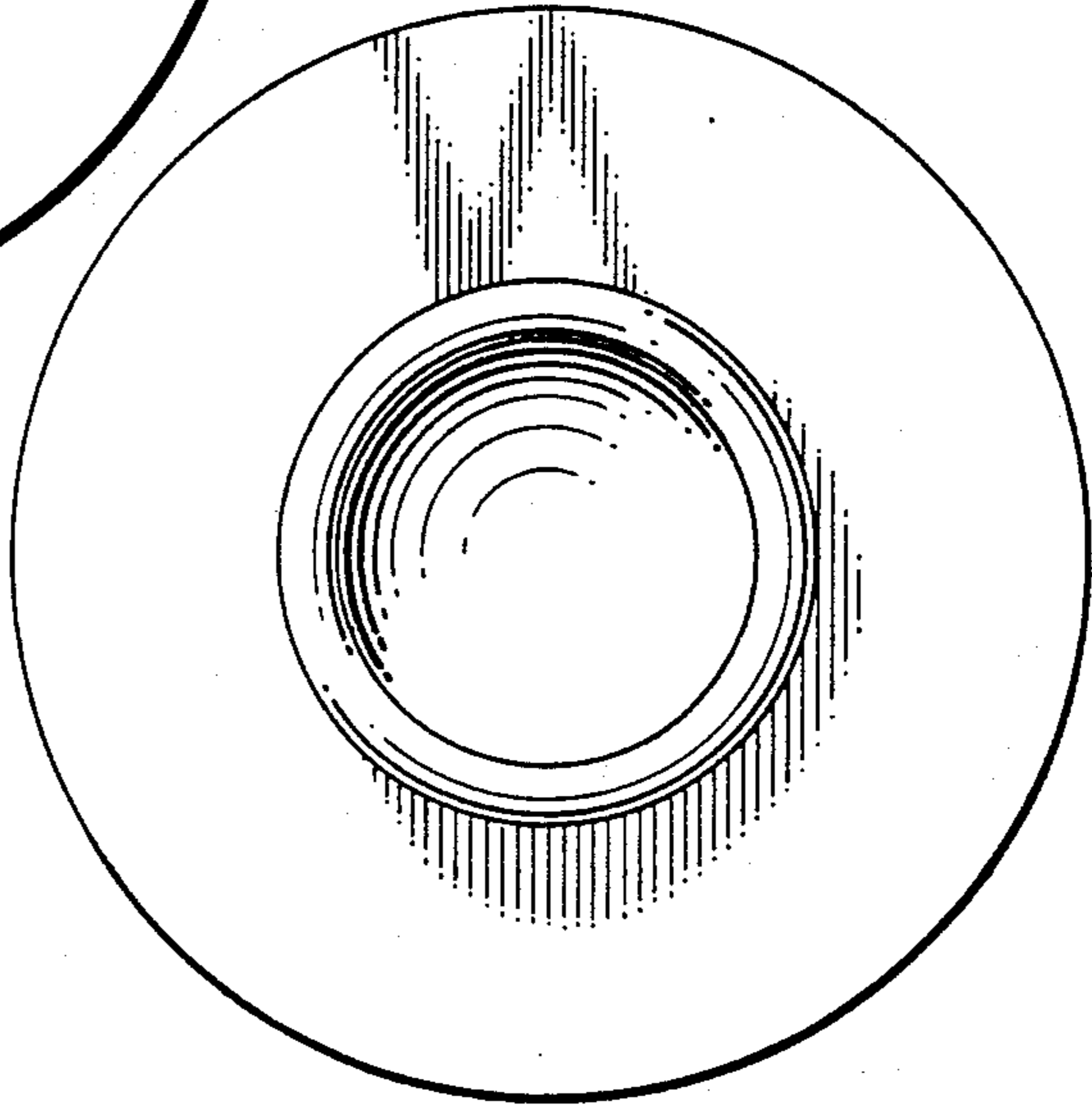


**FIG. 3**

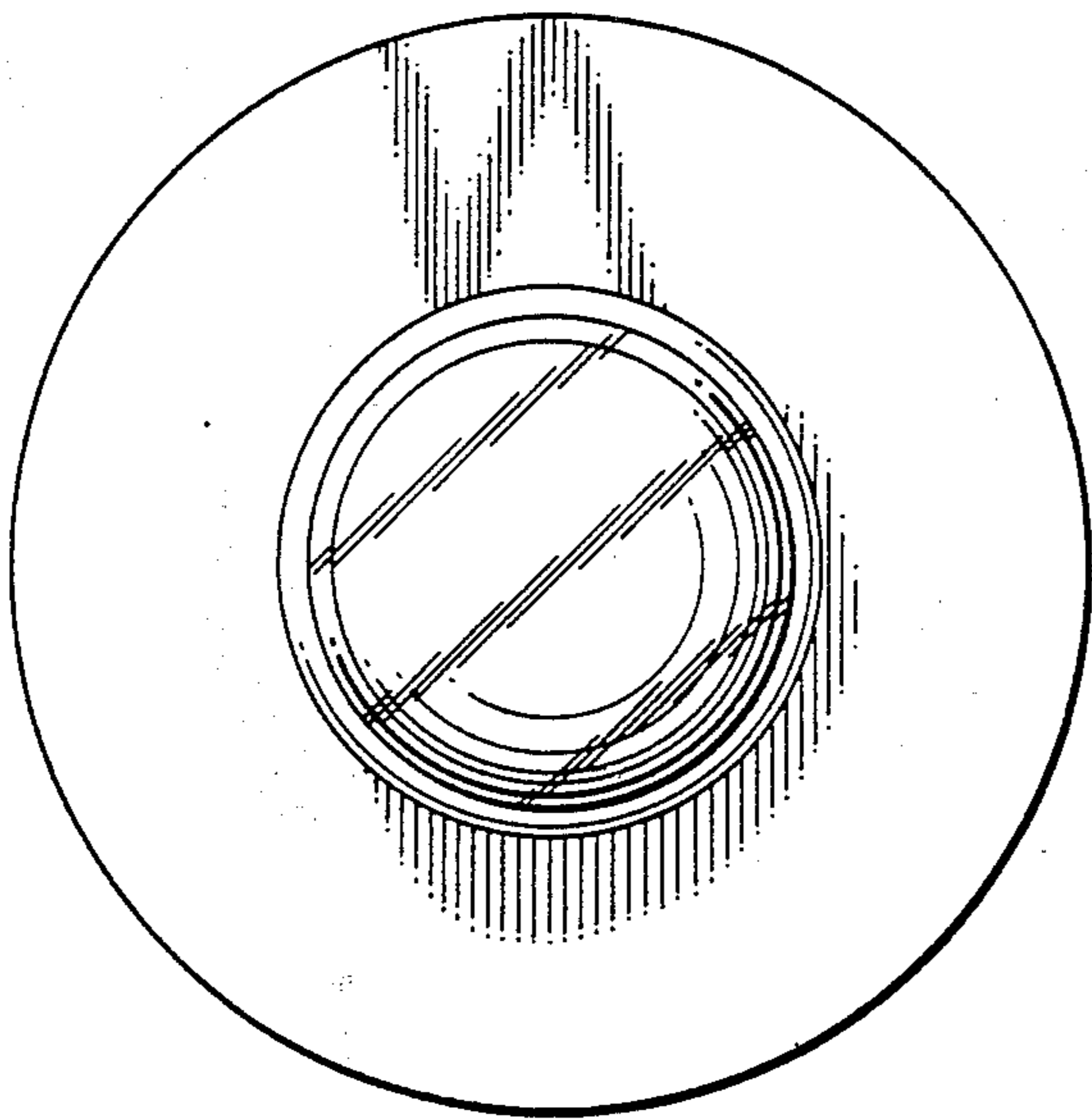
**FIG. 5**



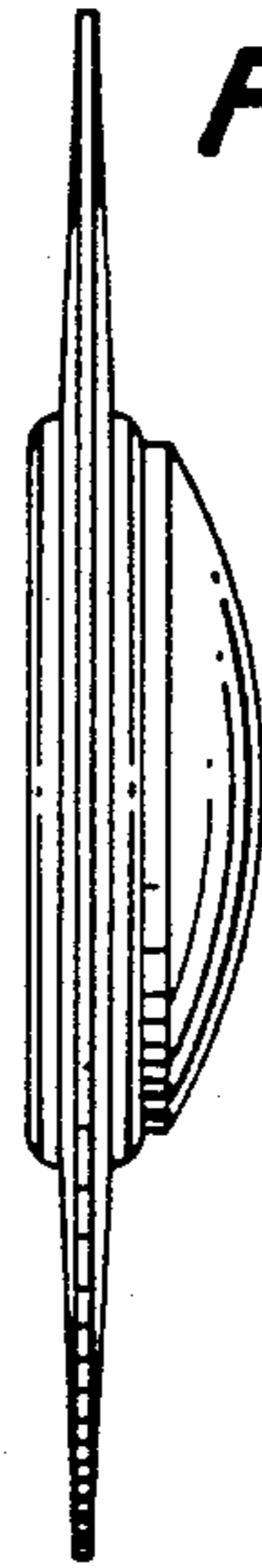
**FIG. 6**

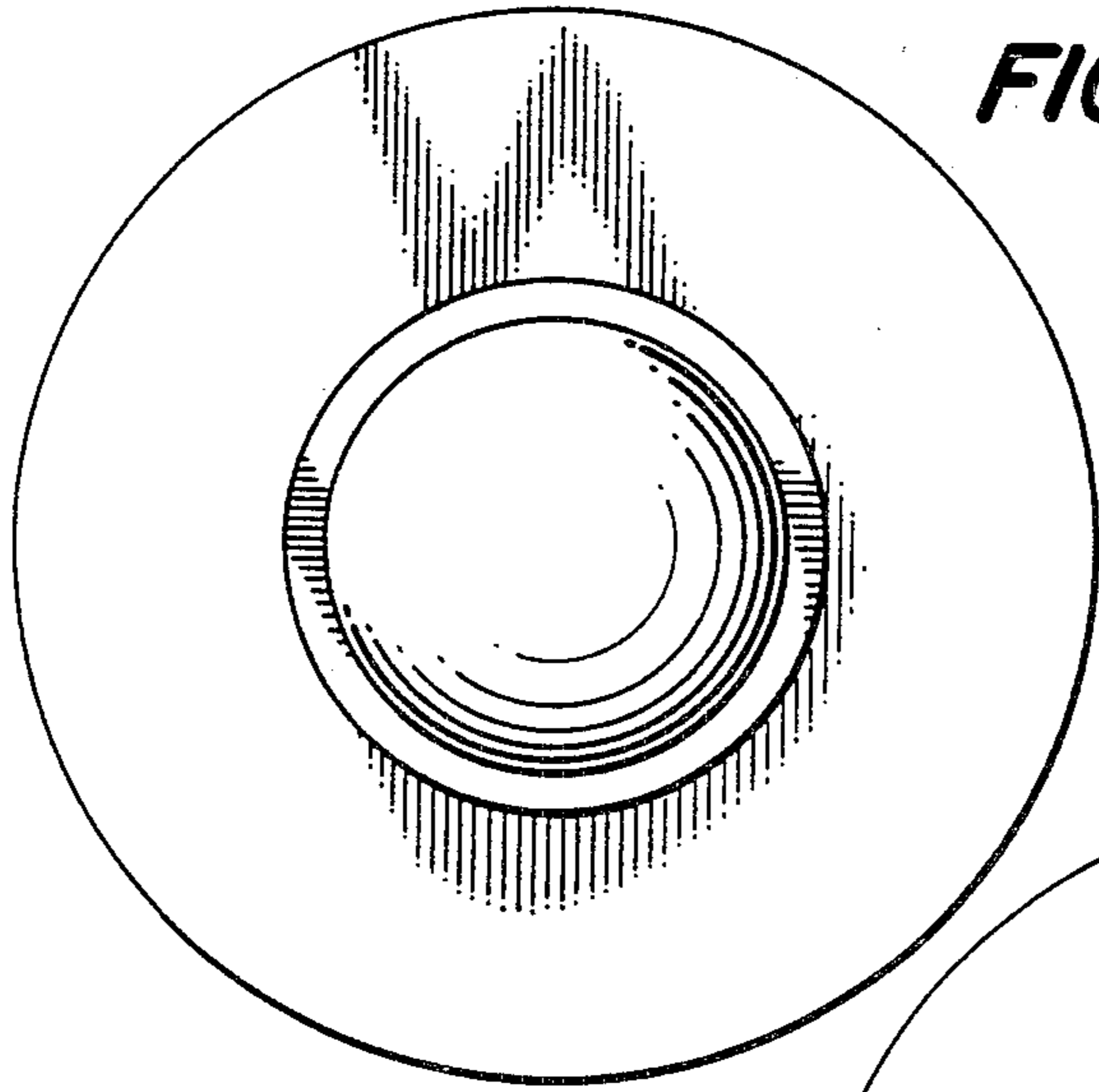


**FIG. 8**

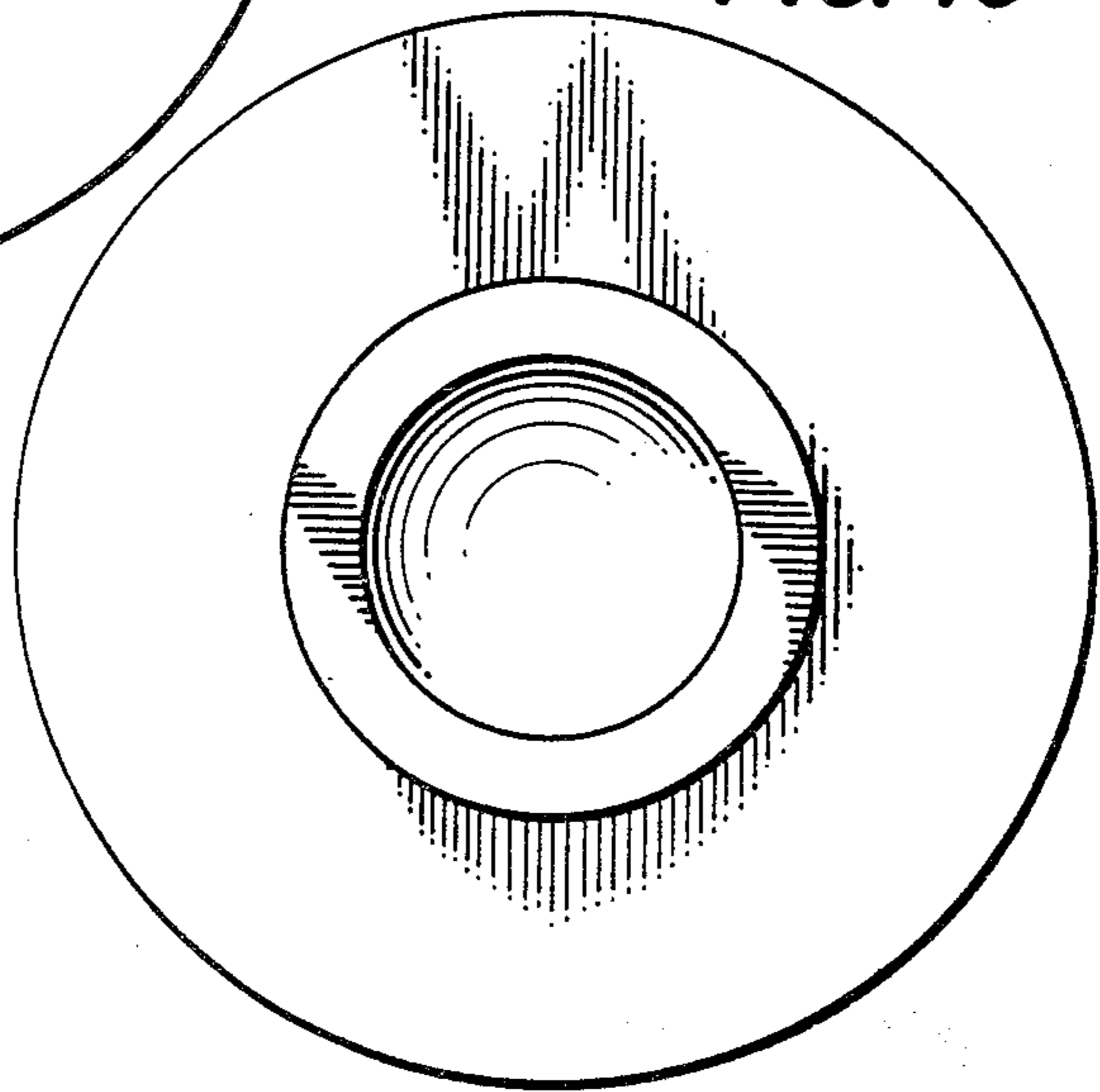


**FIG. 7**



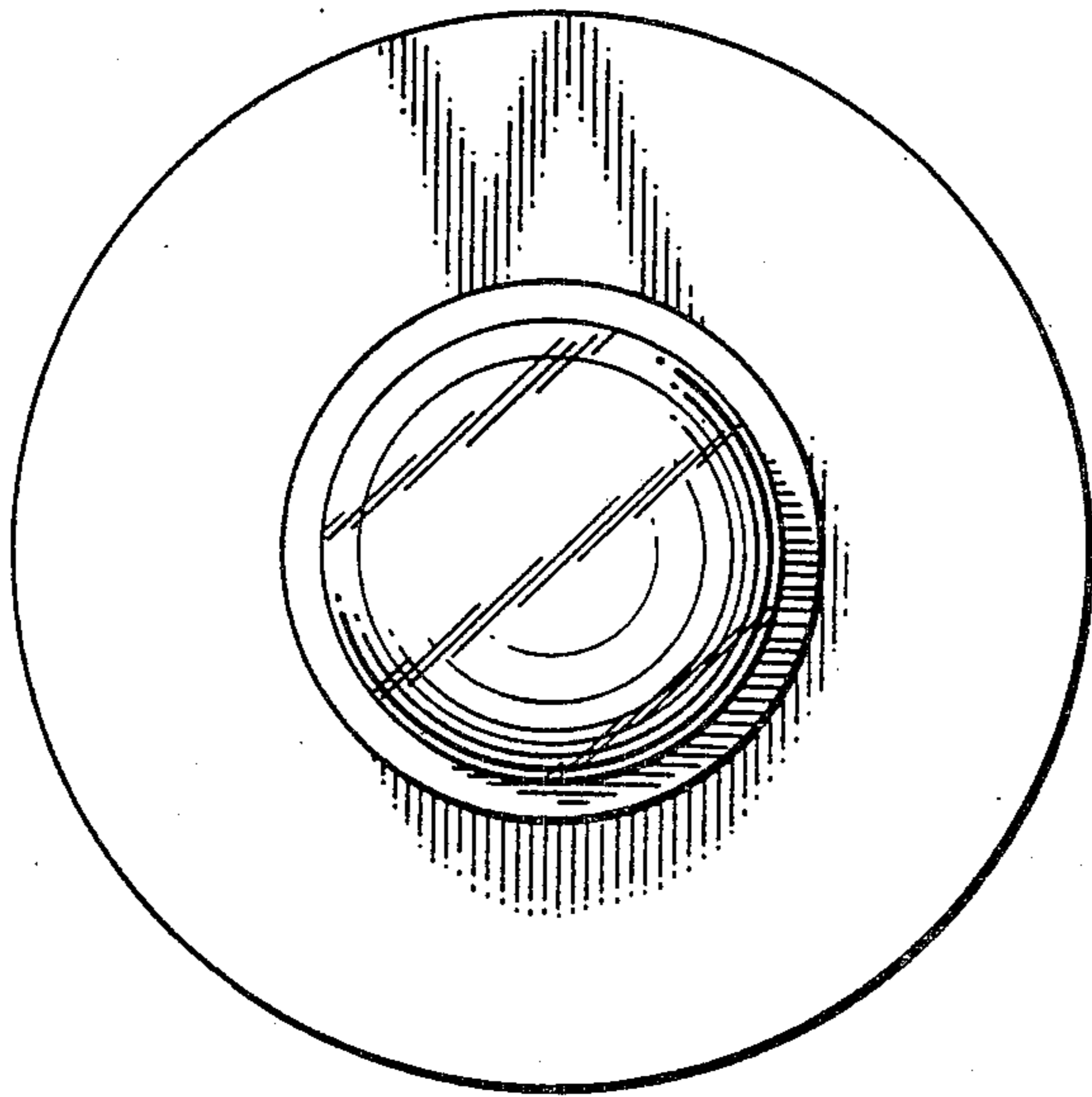


**FIG. 9**

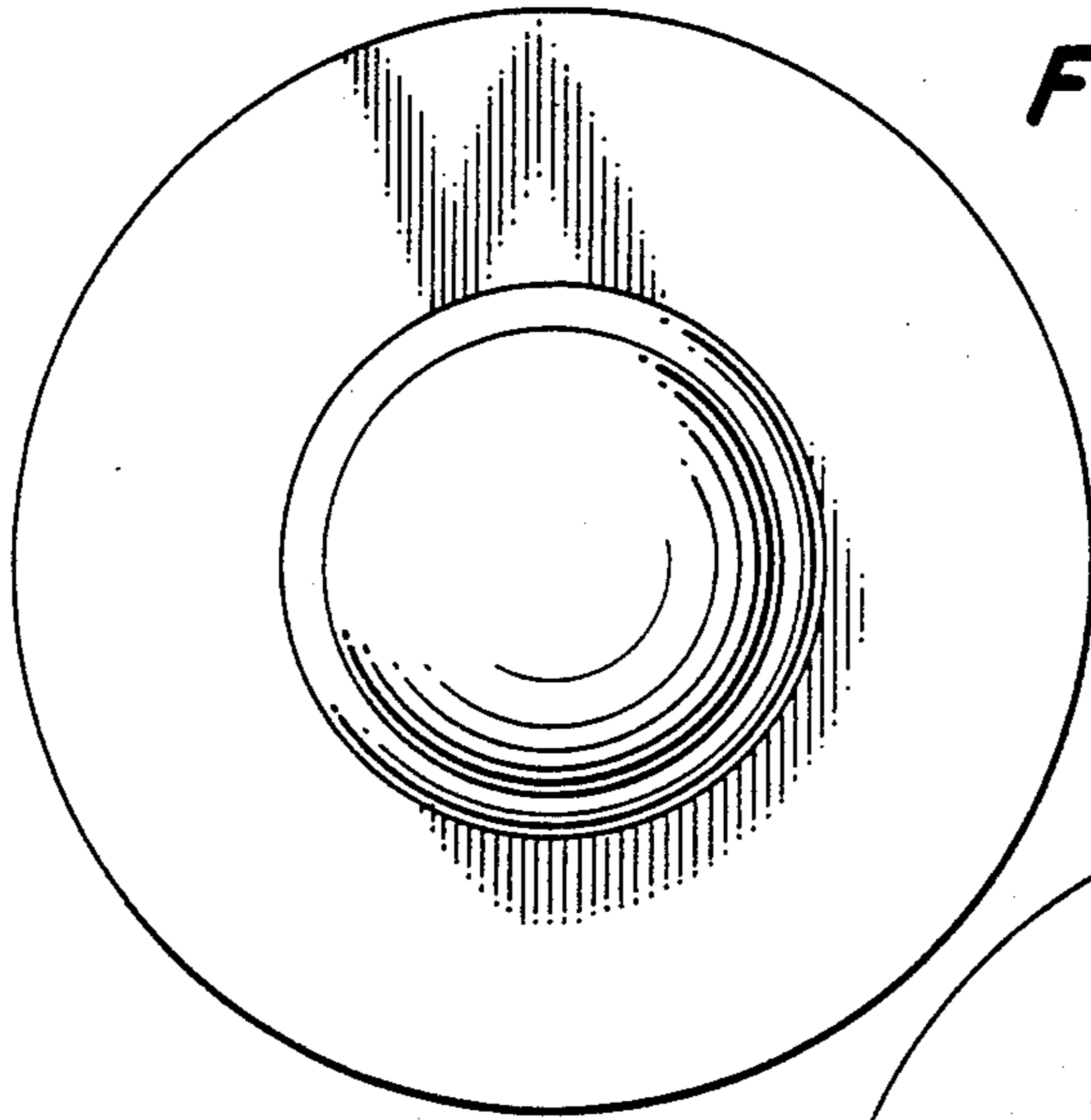


**FIG. 10**

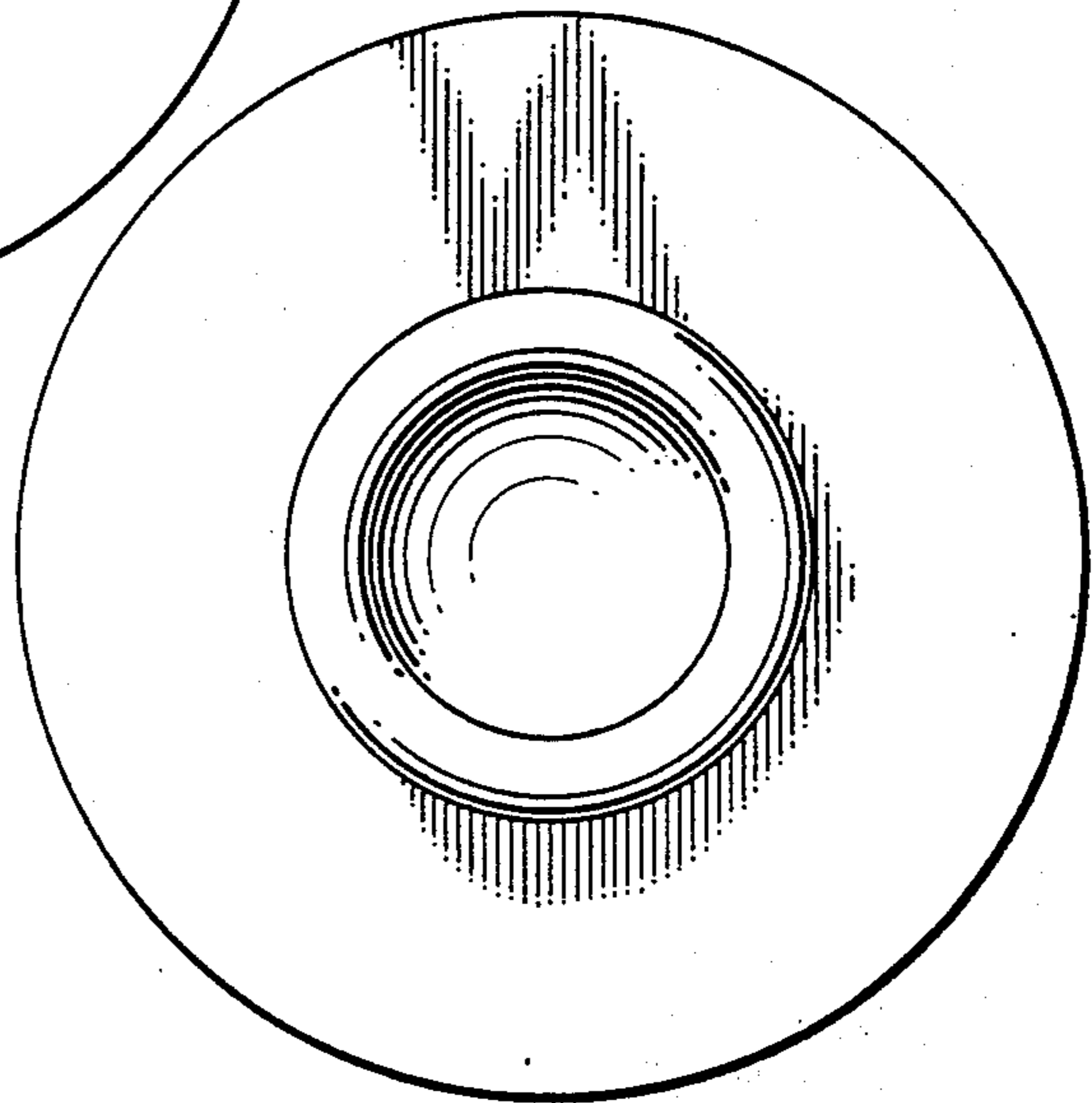
**FIG. 12**



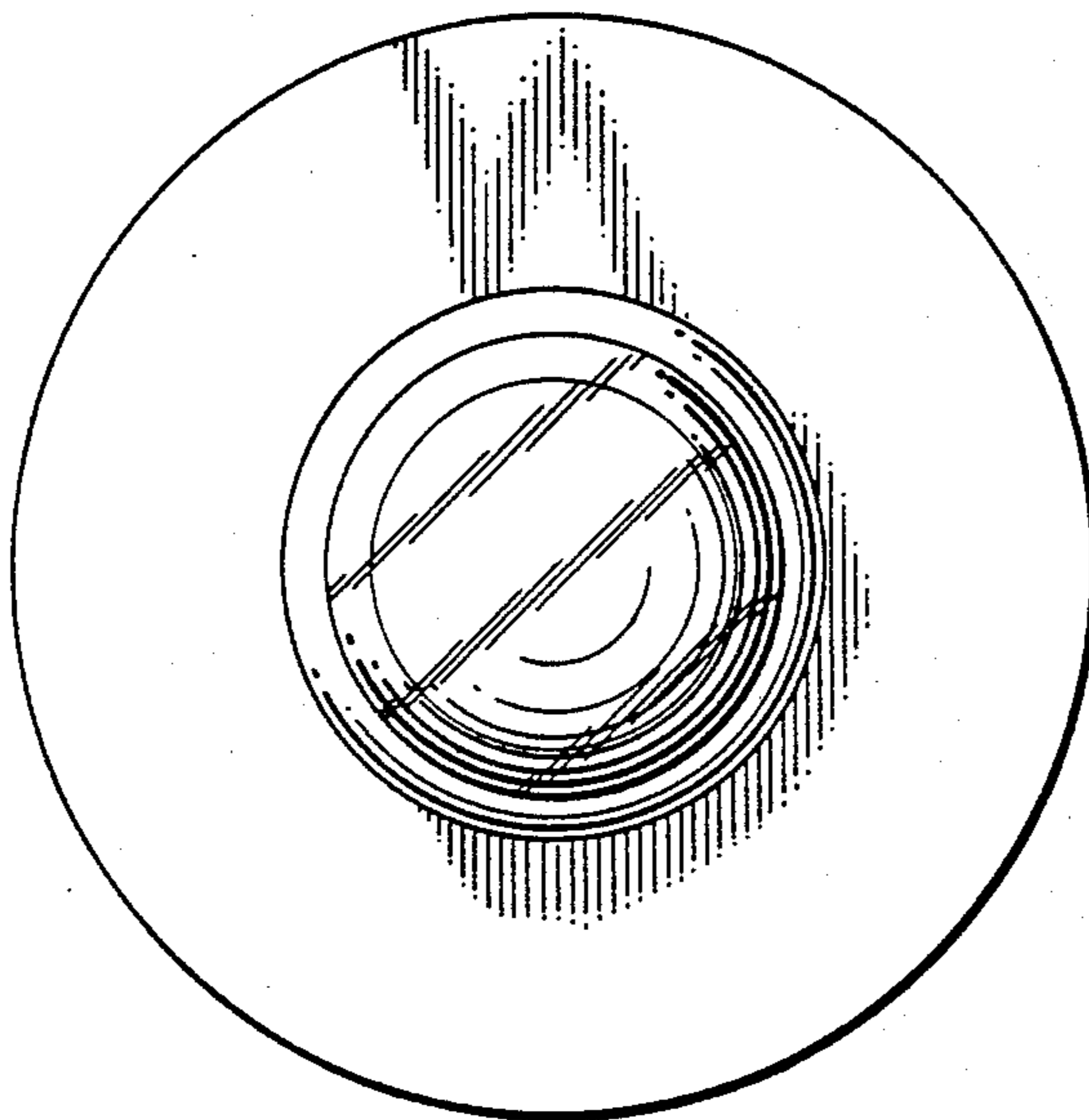
**FIG. 11**



**FIG. 13**



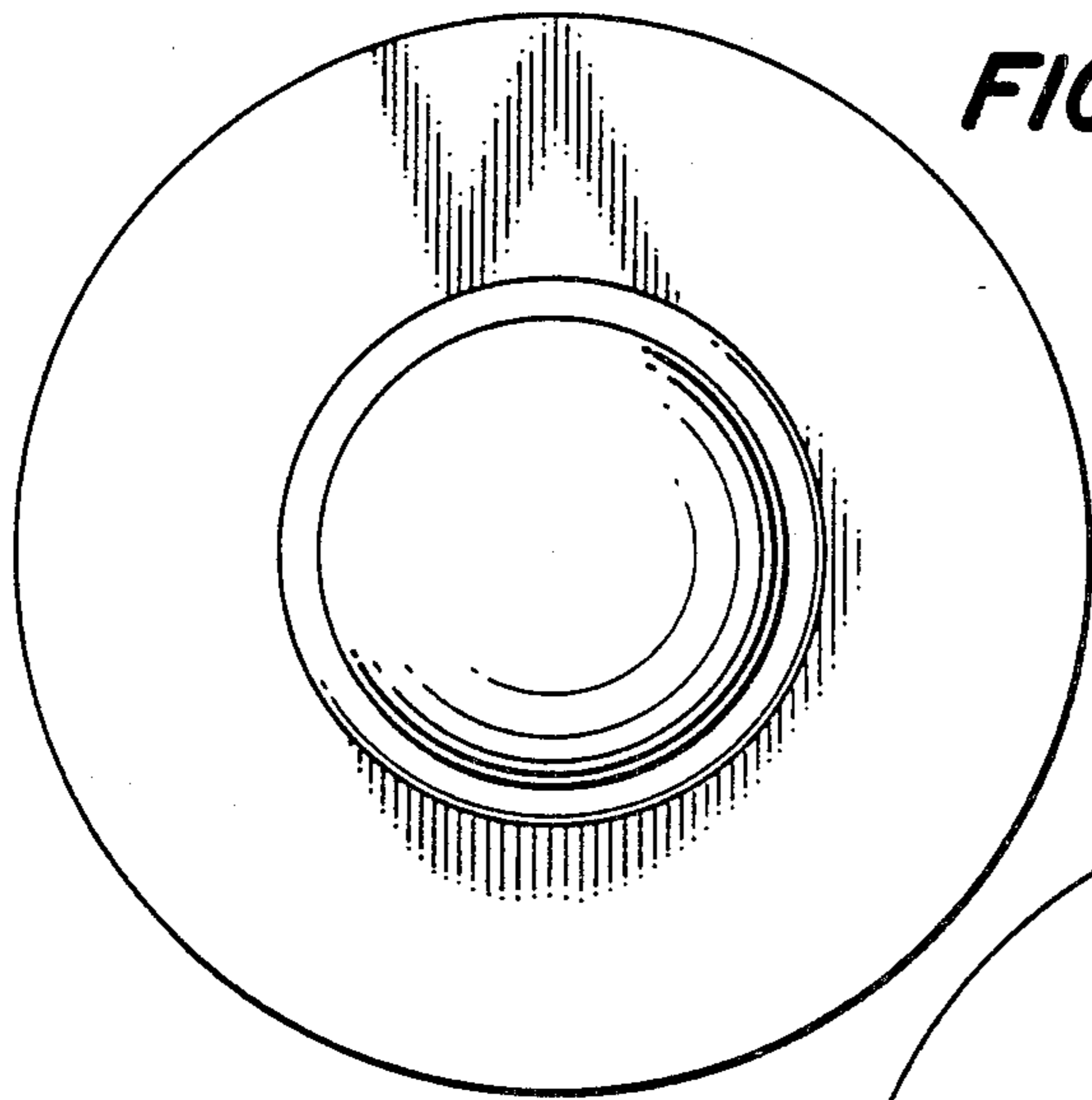
**FIG. 14**



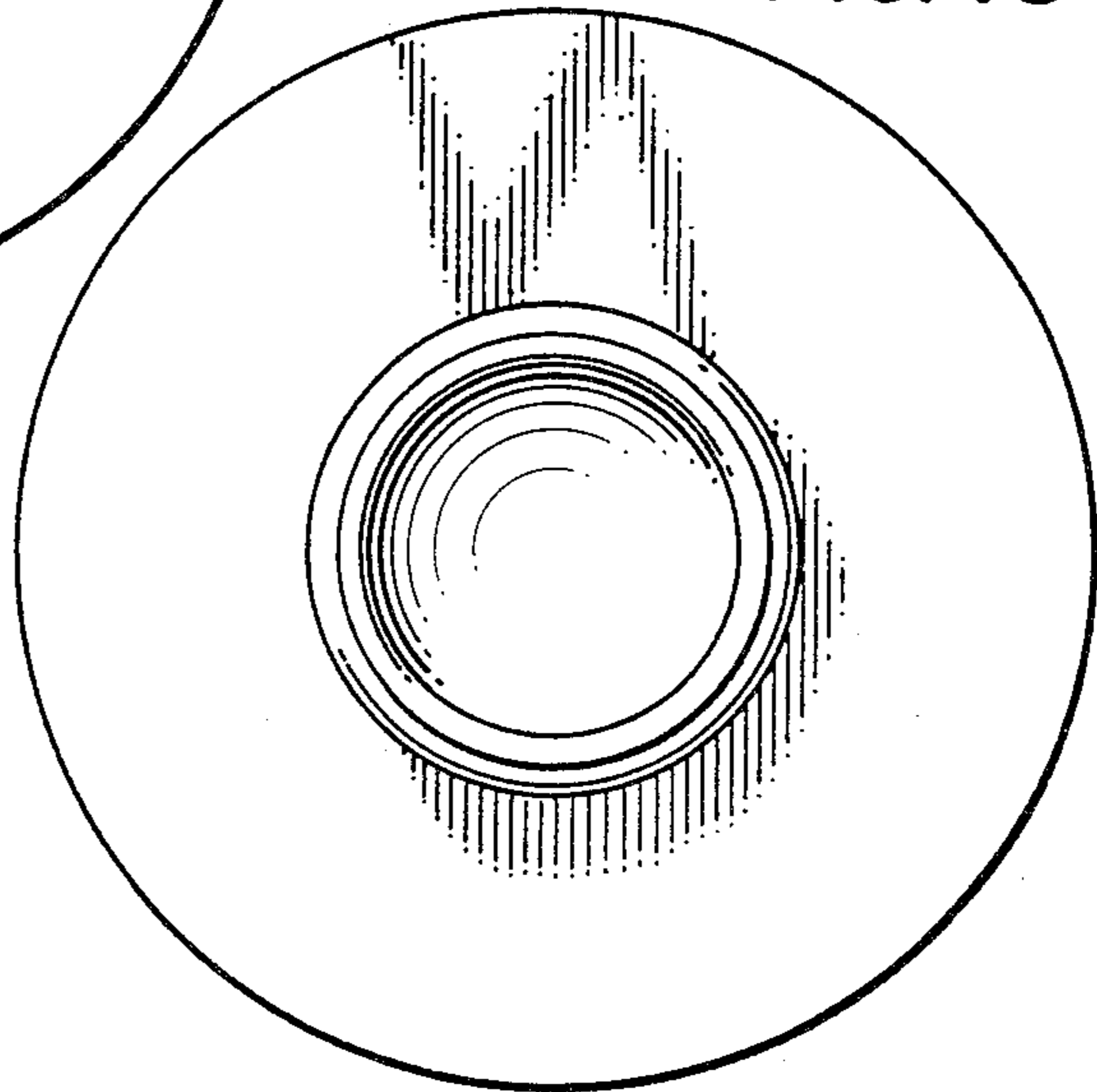
**FIG. 16**



**FIG. 15**

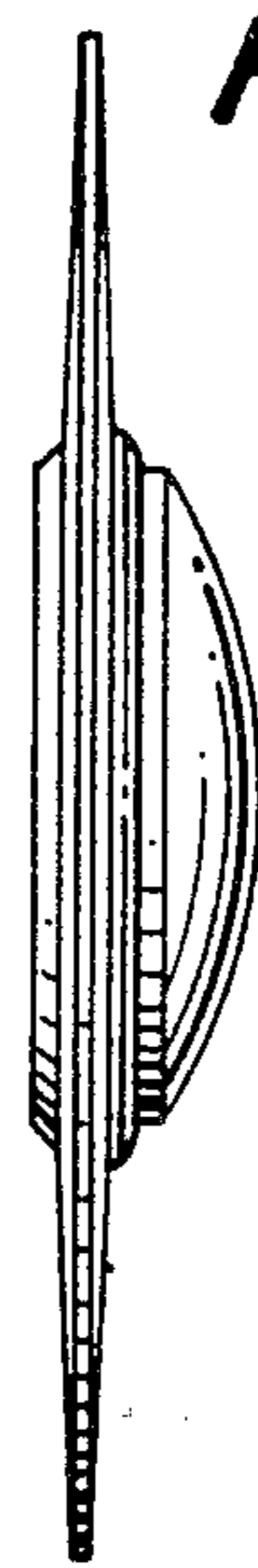
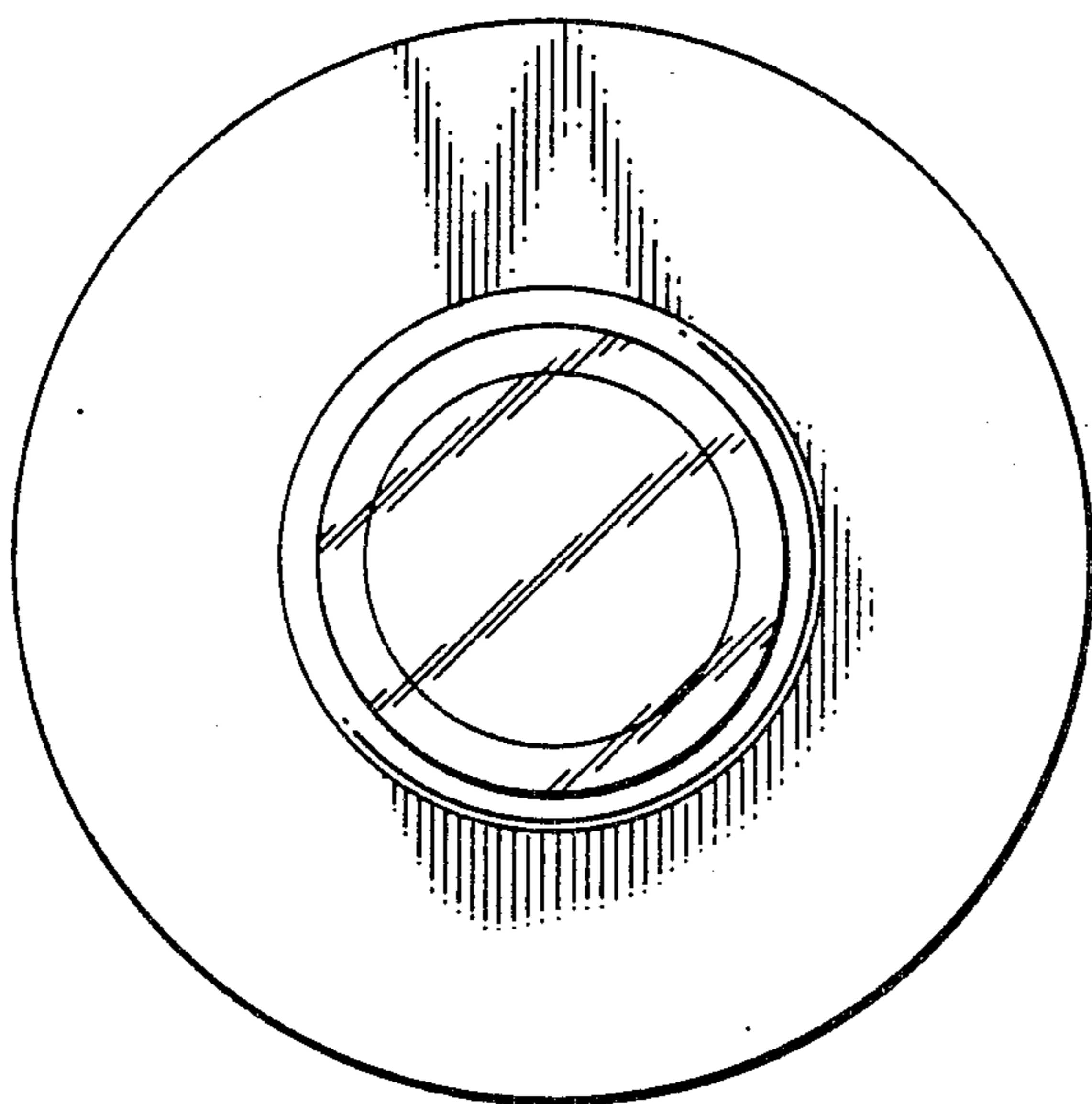


**FIG. 17**



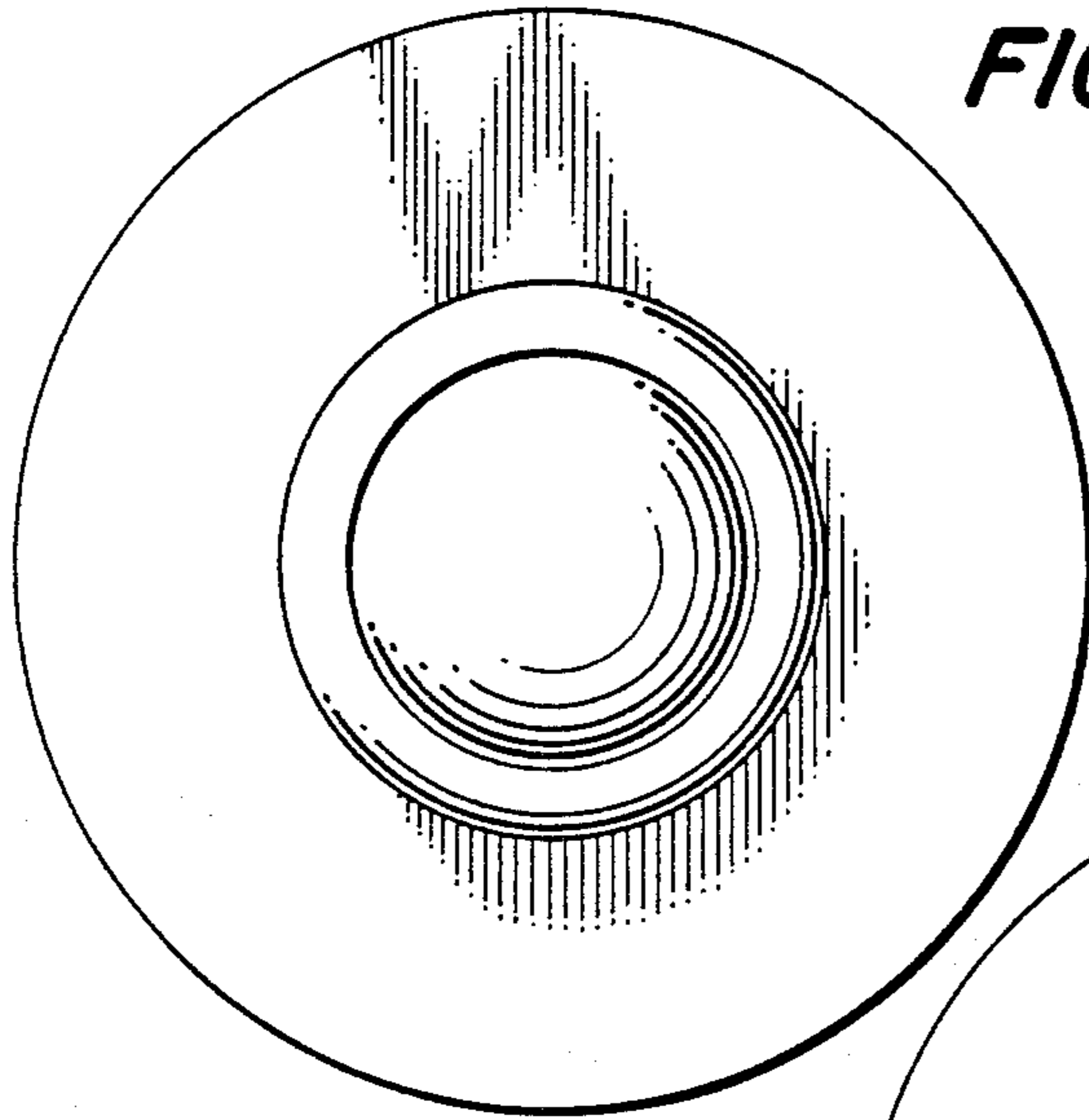
**FIG. 18**

**FIG. 20**

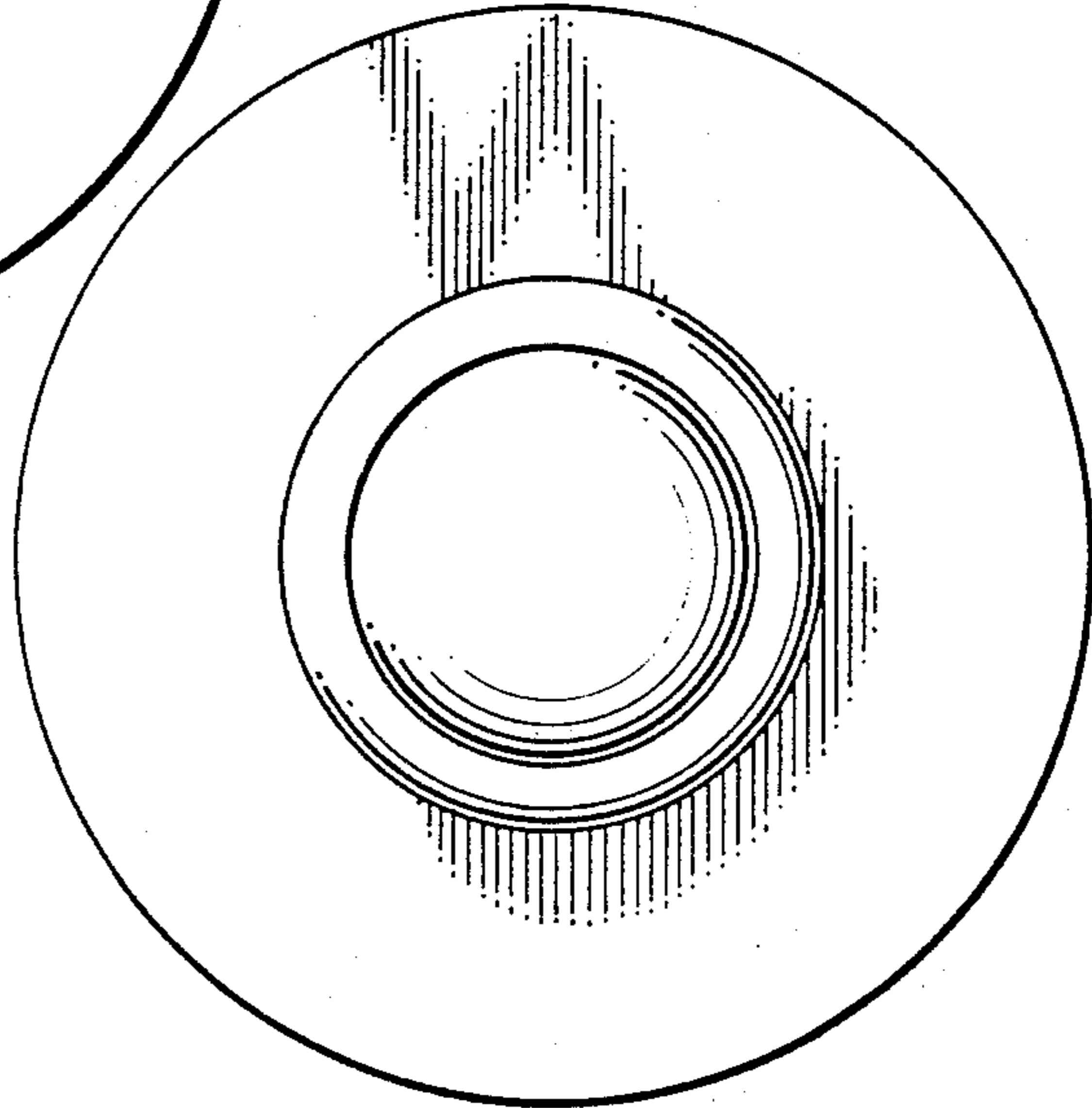


**FIG. 19**

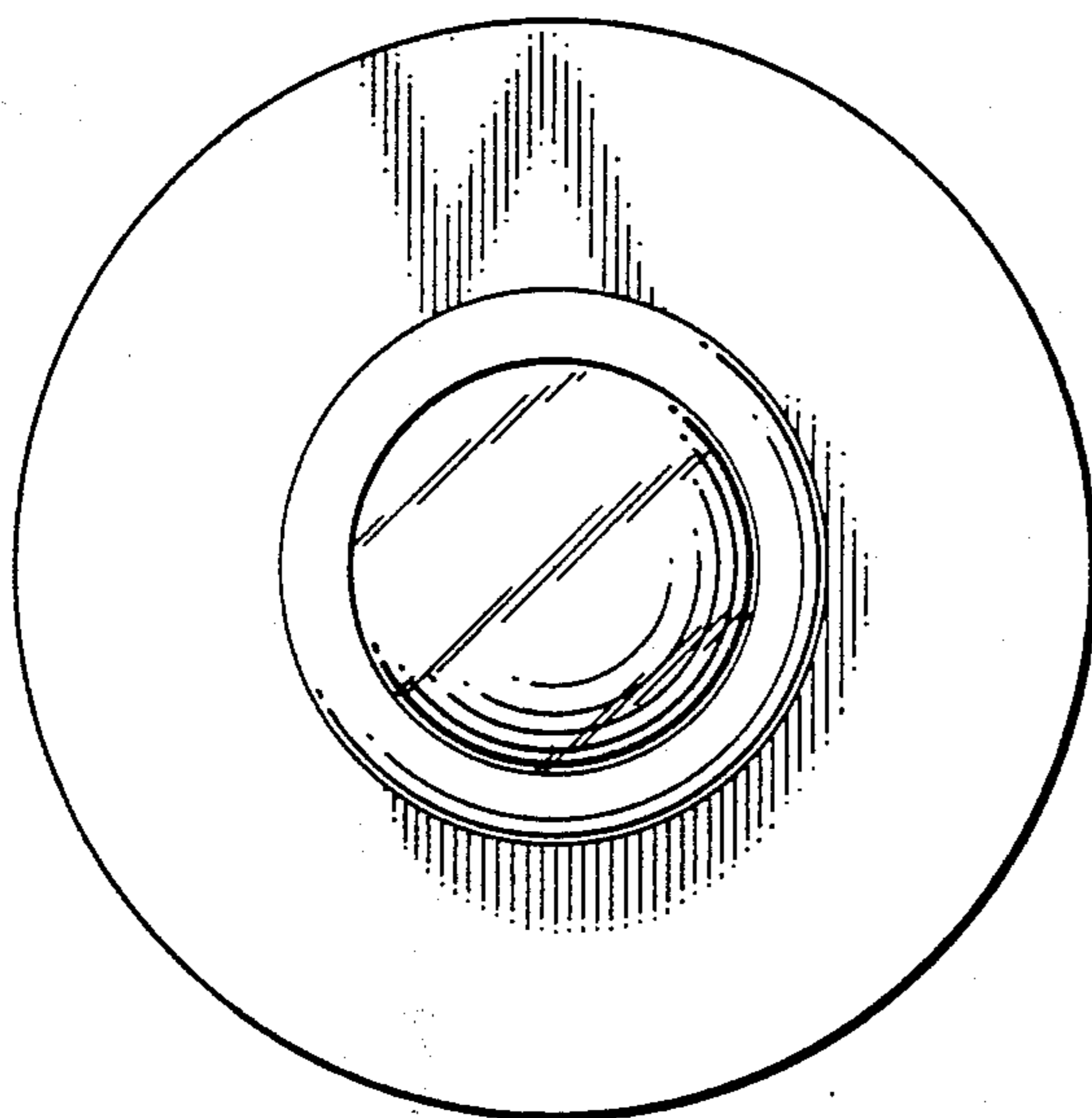
**FIG. 21**



**FIG. 22**

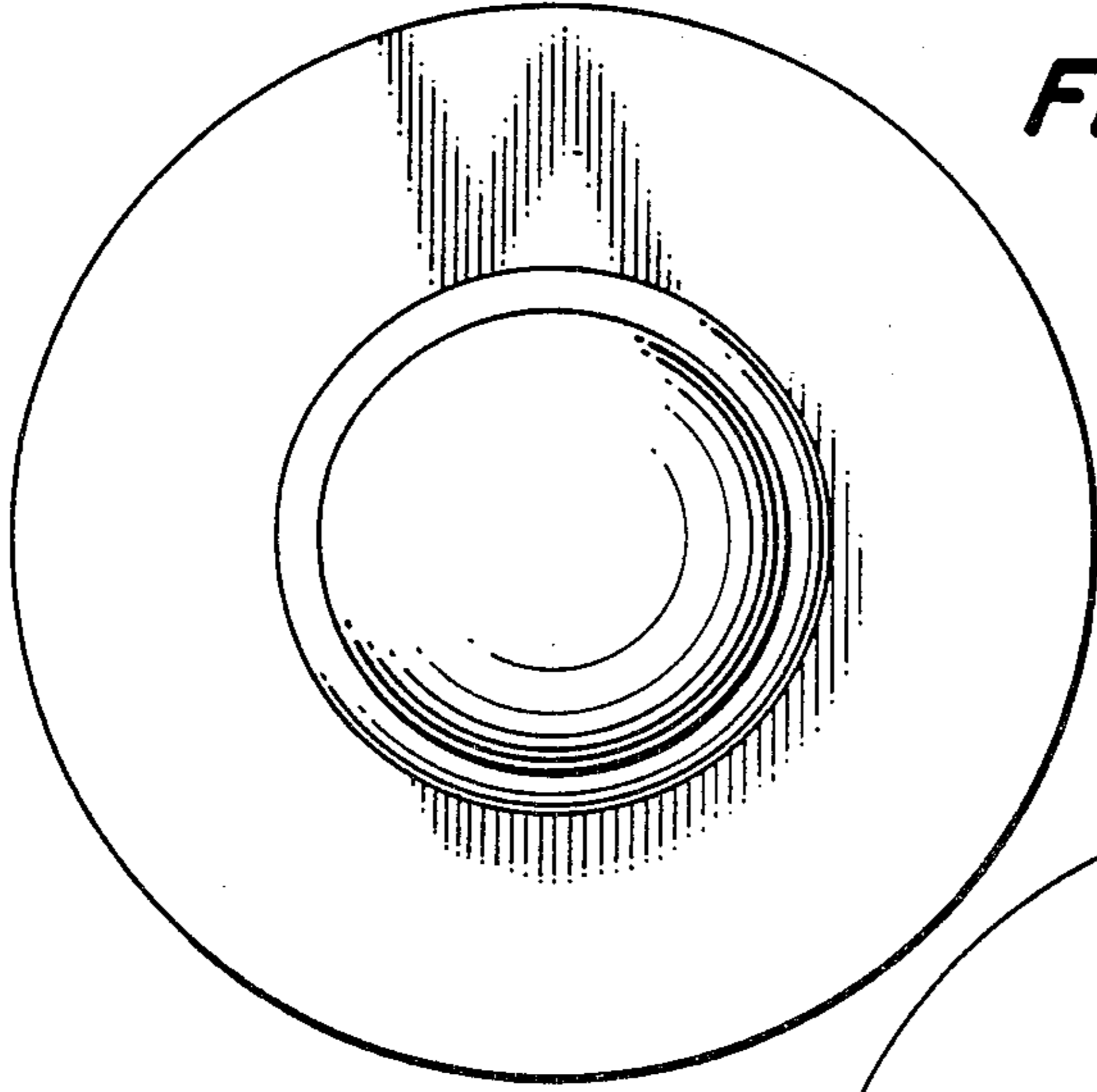


**FIG. 24**

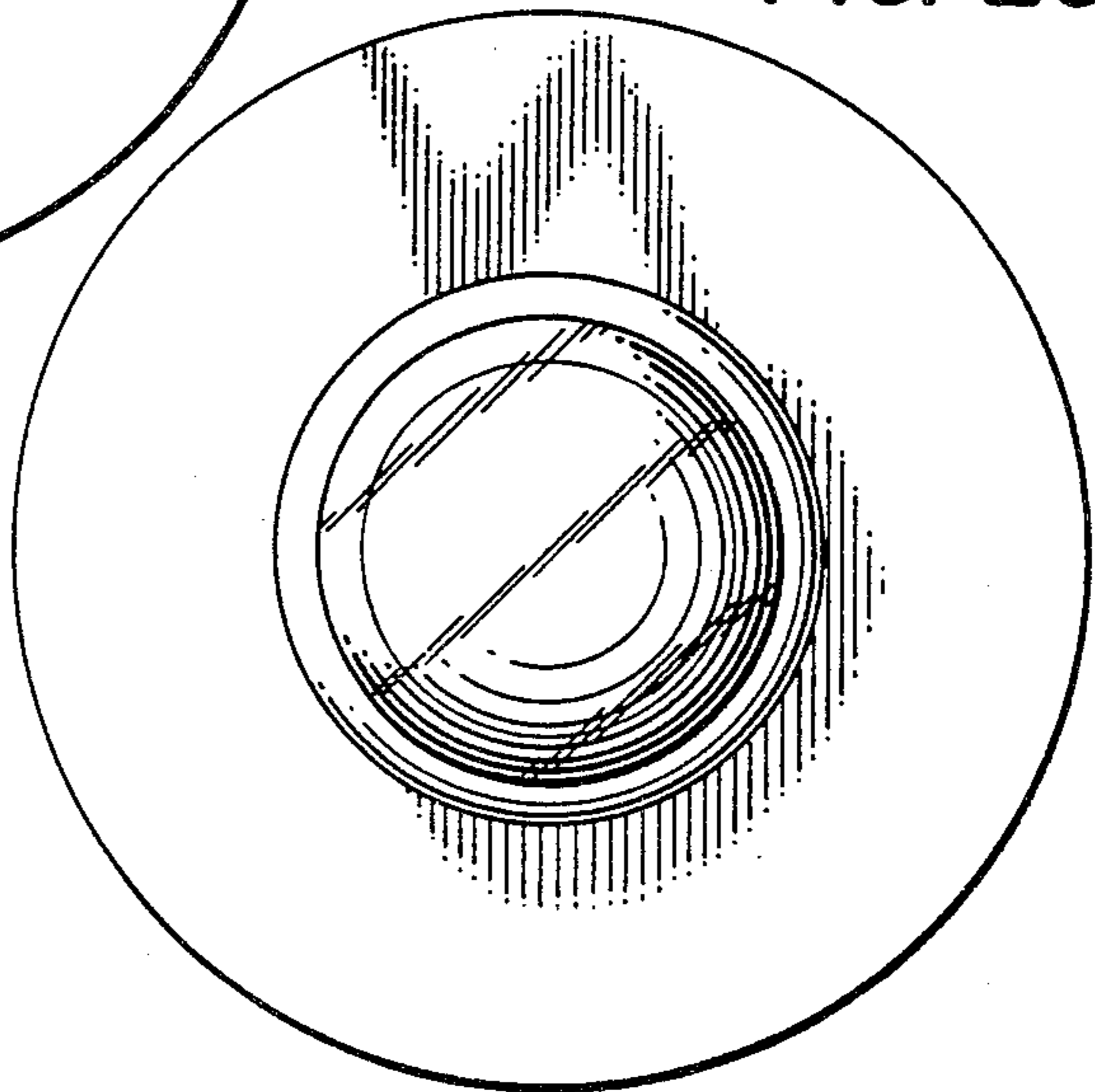


**FIG. 23**



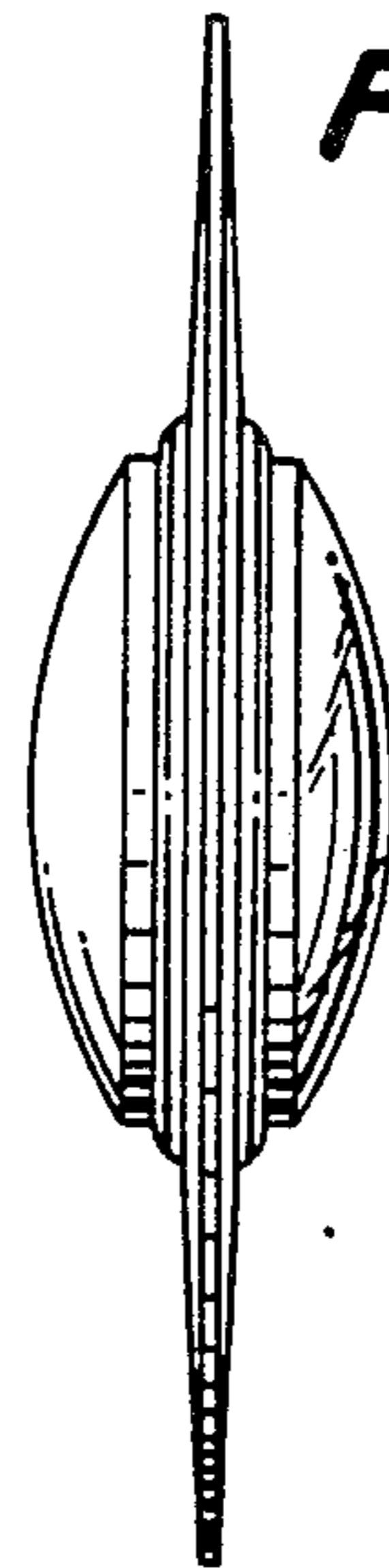
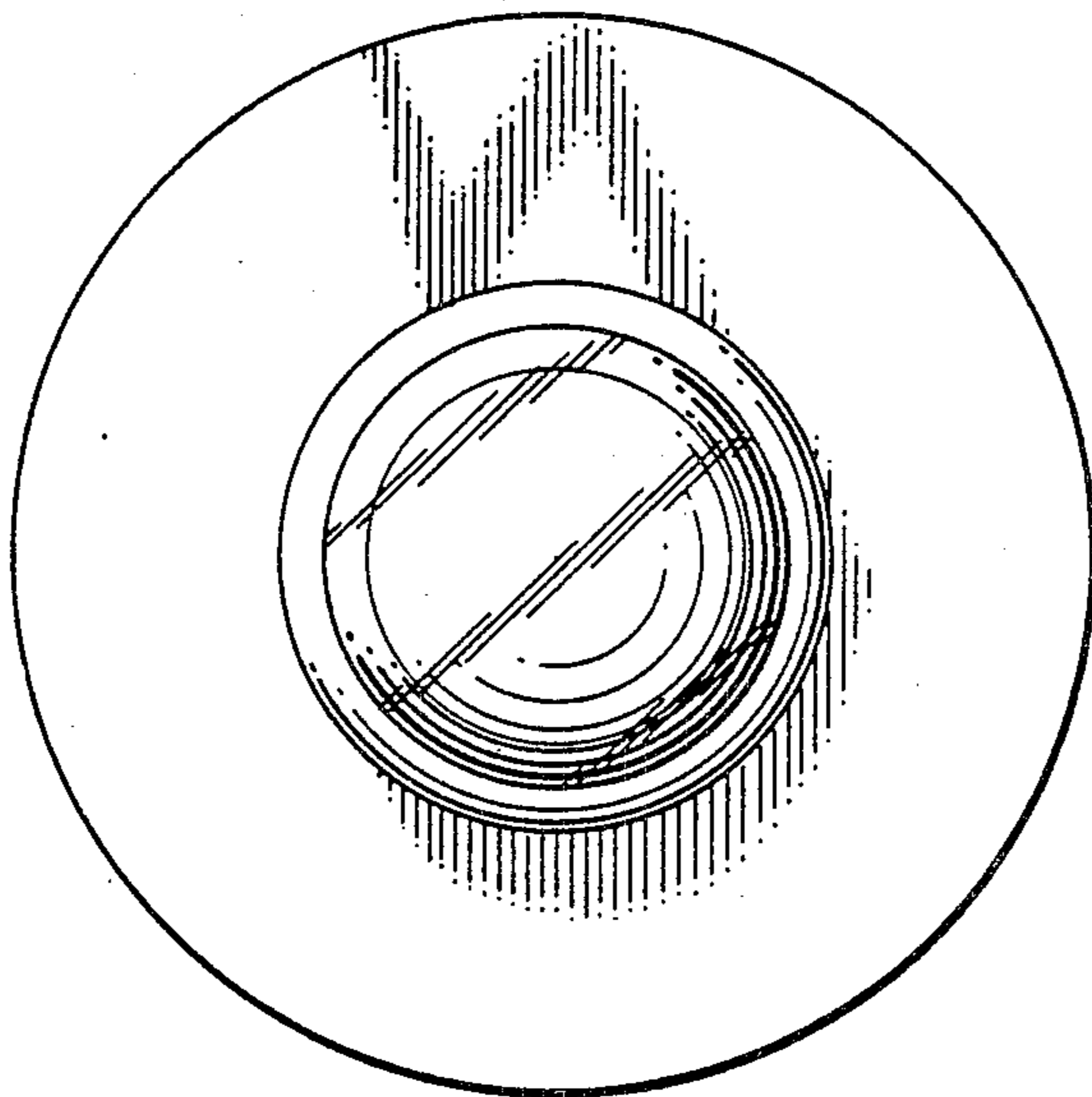


**FIG. 25**



**FIG. 26**

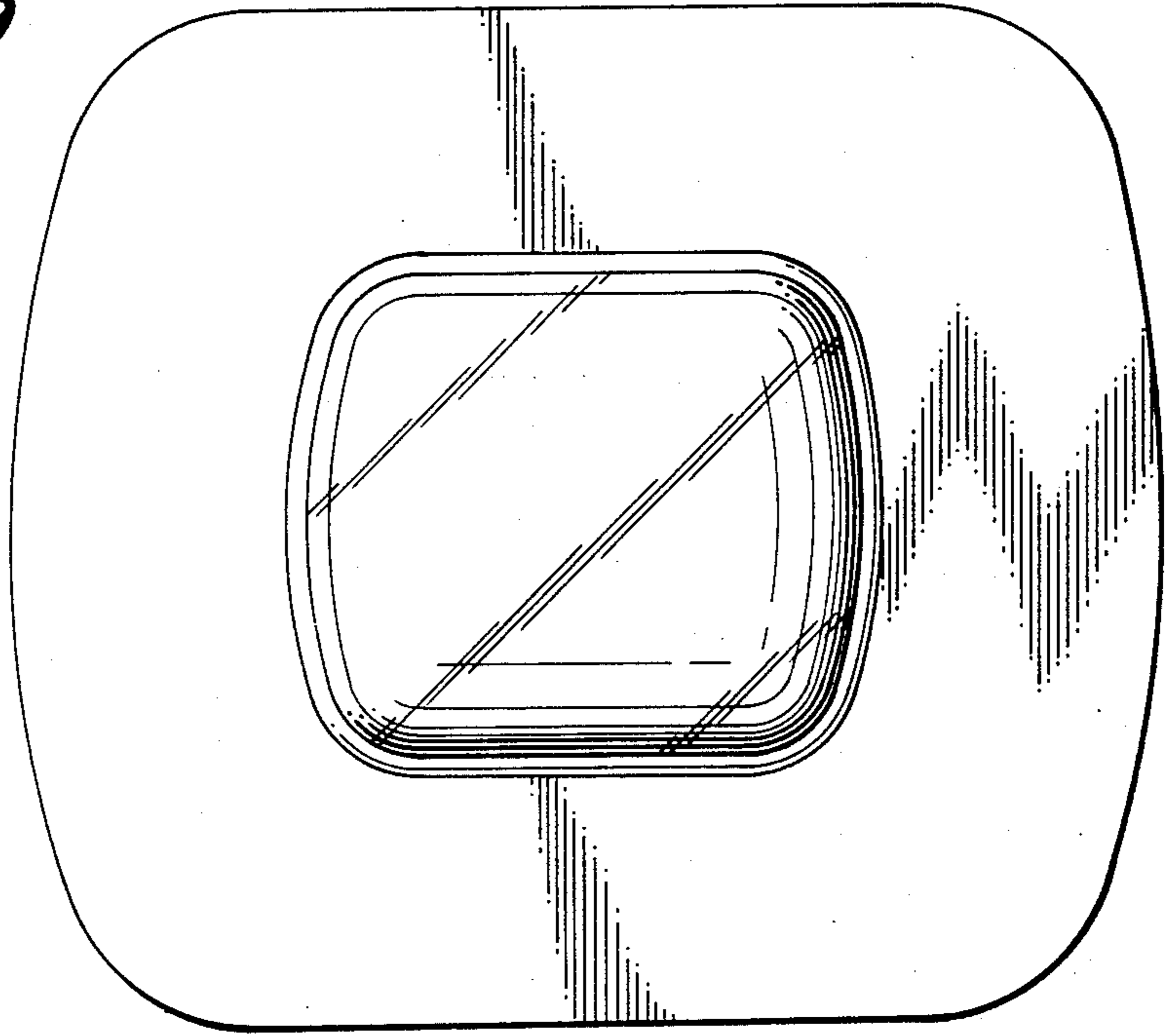
**FIG. 28**



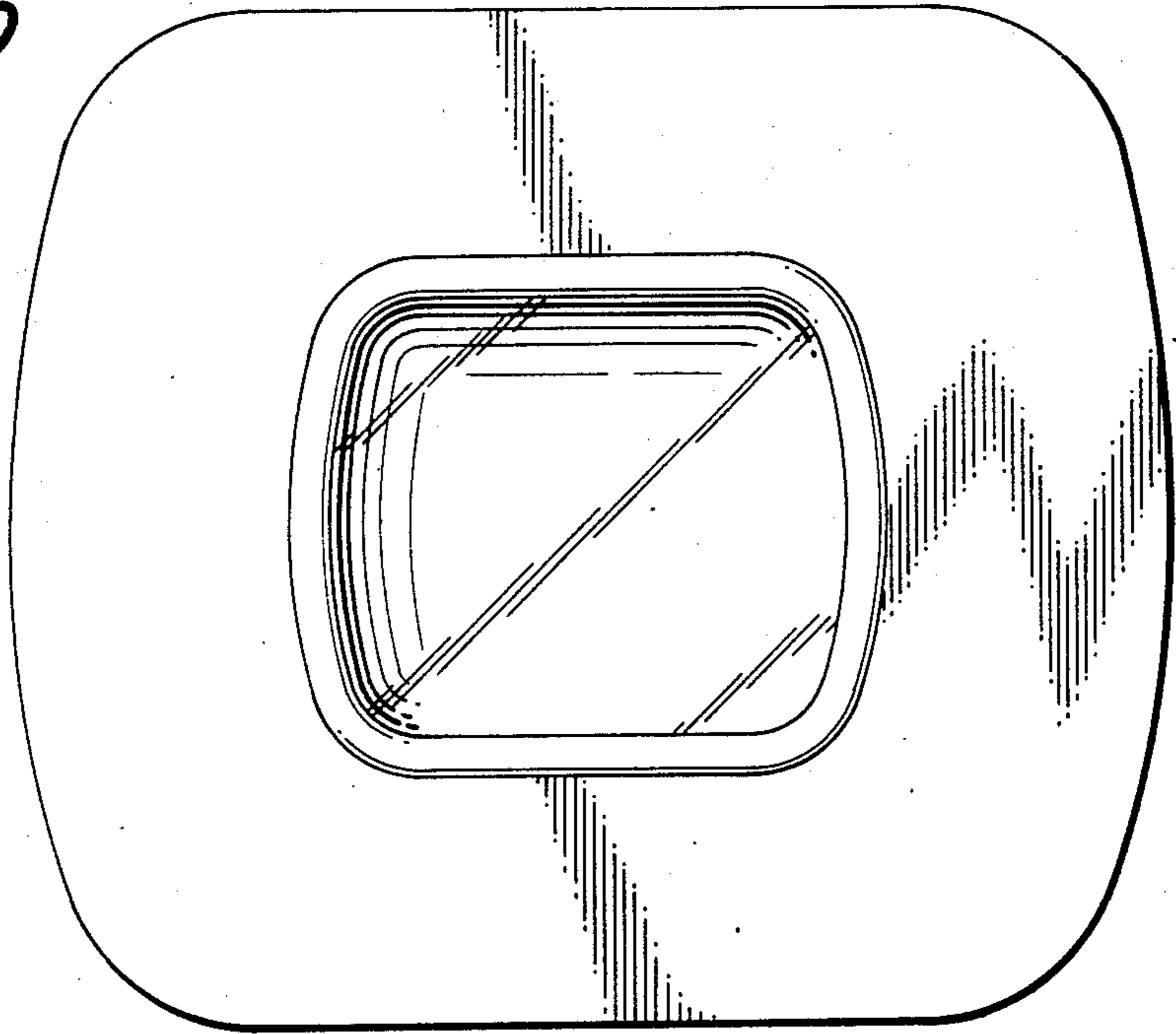
**FIG. 27**



**FIG. 29**



**FIG. 30**



*FIG. 31*



*FIG. 32*

