

[54] CASING OF AN ELECTRICAL OR ELECTRONIC DEVICE

3,711,806 1/1973 Flentge 336/92

[76] Inventor: Domenic Melcher, Ackerstrasse 56, Uster, Switzerland, CH8610

[**] Term: 14 Years

[21] Appl. No.: 597,431

[22] Filed: Apr. 6, 1984

[30] Foreign Application Priority Data

Nov. 8, 1983 [GB] United Kingdom 1016155
Feb. 9, 1984 [JP] Japan 410484

[52] U.S. Cl. D13/40

[58] Field of Search D13/40-41, D13/12; D10/46, 49, 75, 96, 100-101, 103; 174/50, 52 R, 53, 58-60, 65 R, 66-67; 361/331-332, 334, 346-347, 350, 356, 380, 390-392, 394; 220/3.2, 3.3, 241-242

[56] References Cited

U.S. PATENT DOCUMENTS

D. 251,422 3/1979 Thomas et al. D13/24
D. 252,568 8/1979 Comstock D13/40
D. 260,513 9/1981 Comstock D13/40

OTHER PUBLICATIONS

Allied Electronics, 1975 cat. No. 750, p. 219, Power Supply.

Design News, 10/20/80, p. 53, Electromagnetic Relays—middle of page.

Design News, 12/8/80, p. 136, Transformers (middle item, bottom of page).

Primary Examiner—B. J. Bullock

Assistant Examiner—Ruth E. Takemoto

Attorney, Agent, or Firm—David M. Ostfeld

[57] CLAIM

The ornamental design for a casing of an electrical or electronic device, as shown.

DESCRIPTION

FIG. 1 is a perspective view of a casing of an electrical or electronic device showing my new design;

FIG. 2 is a rear elevational view thereof;

FIG. 3 is a left side elevational view, the right side being a mirror image thereof;

FIG. 4 is a top plan view thereof; and

FIG. 5 is a bottom plan view thereof.

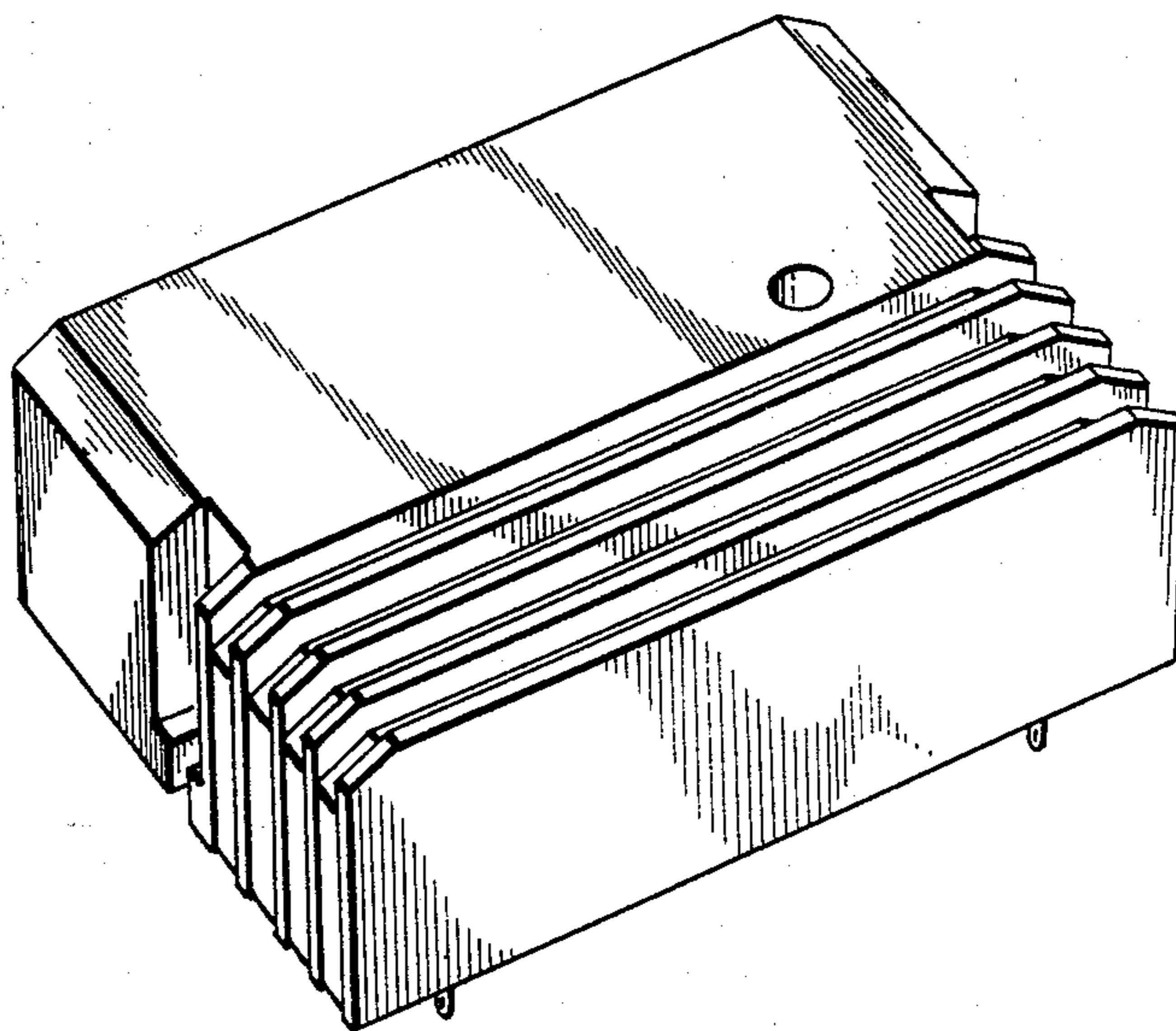


Fig. 1

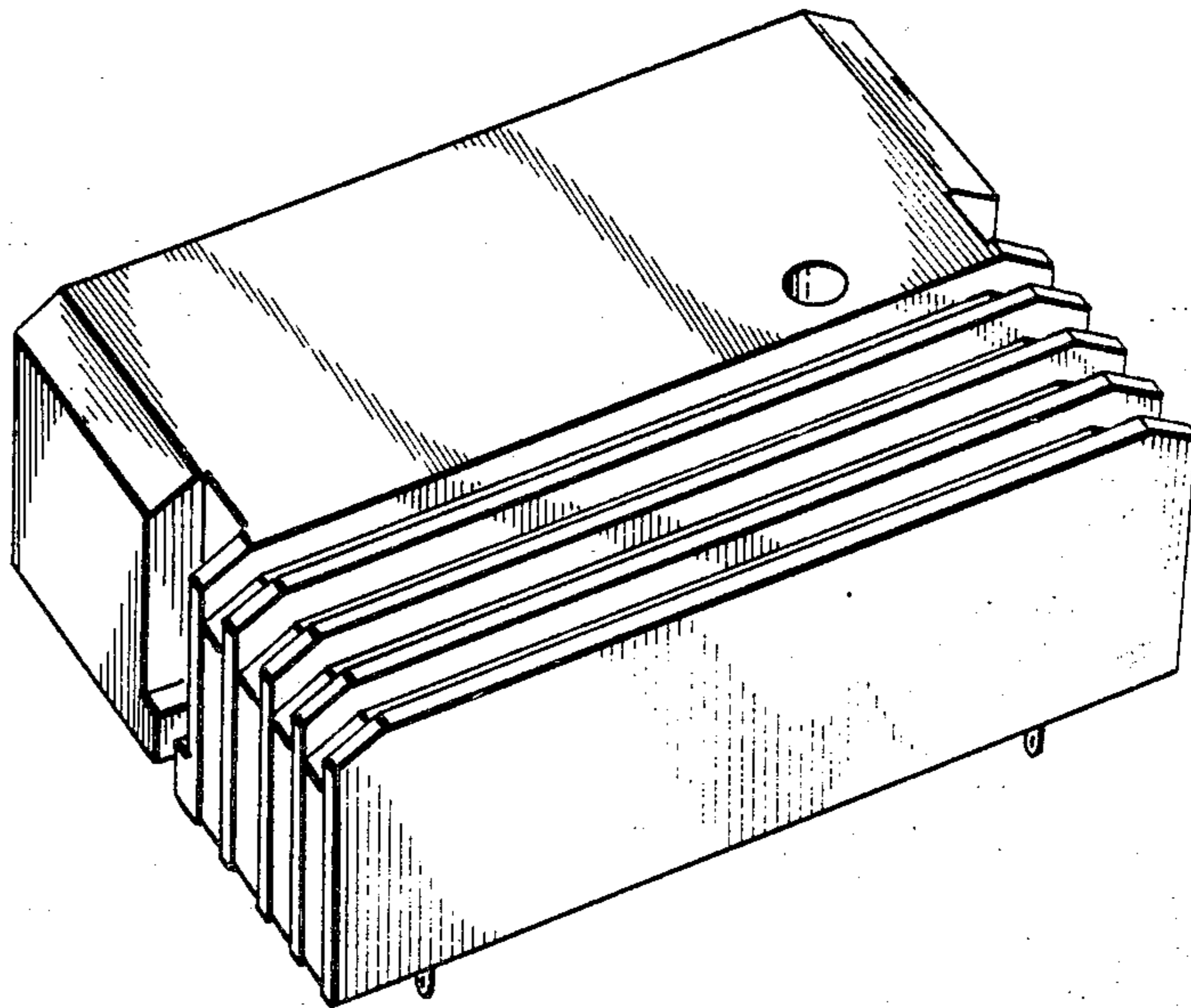


Fig. 2

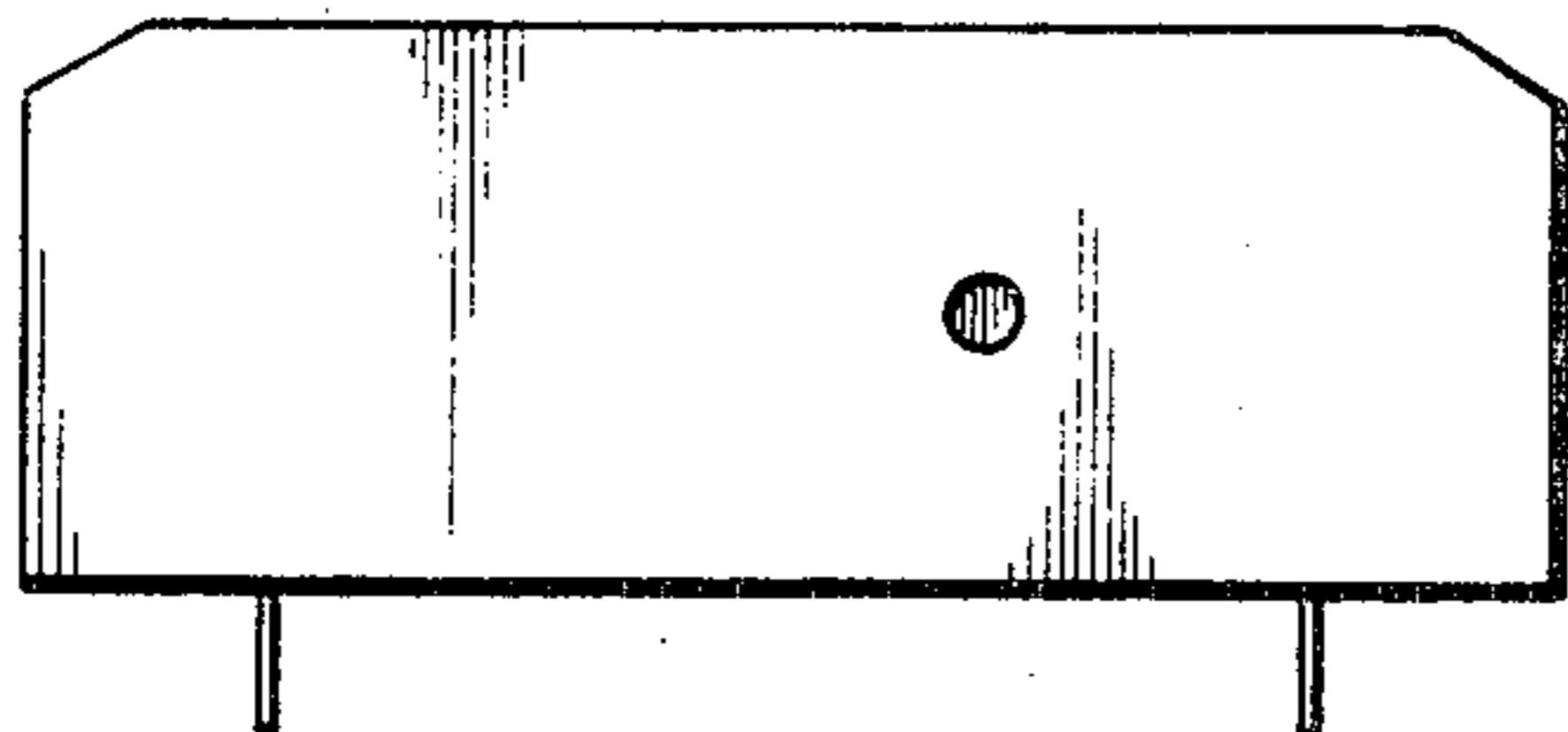


Fig. 3

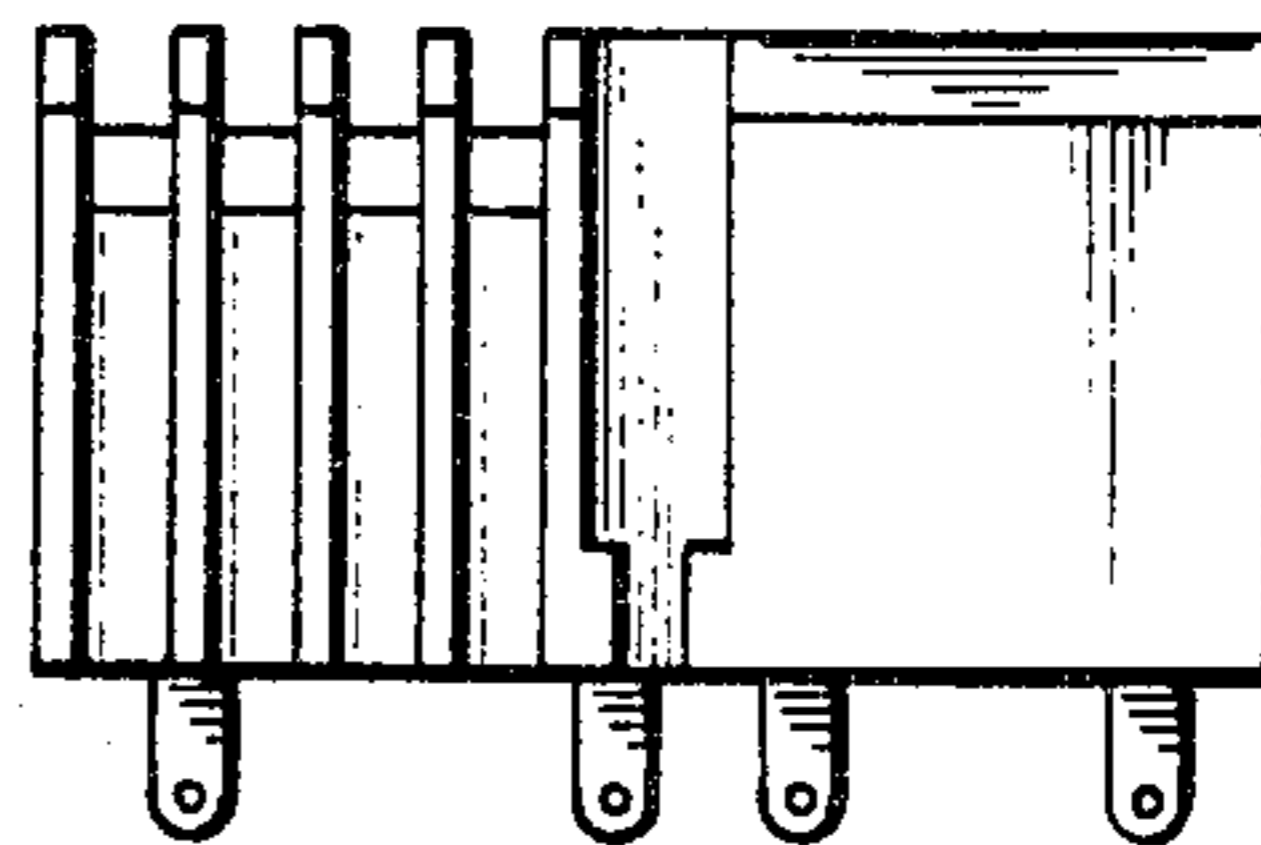


Fig. 4

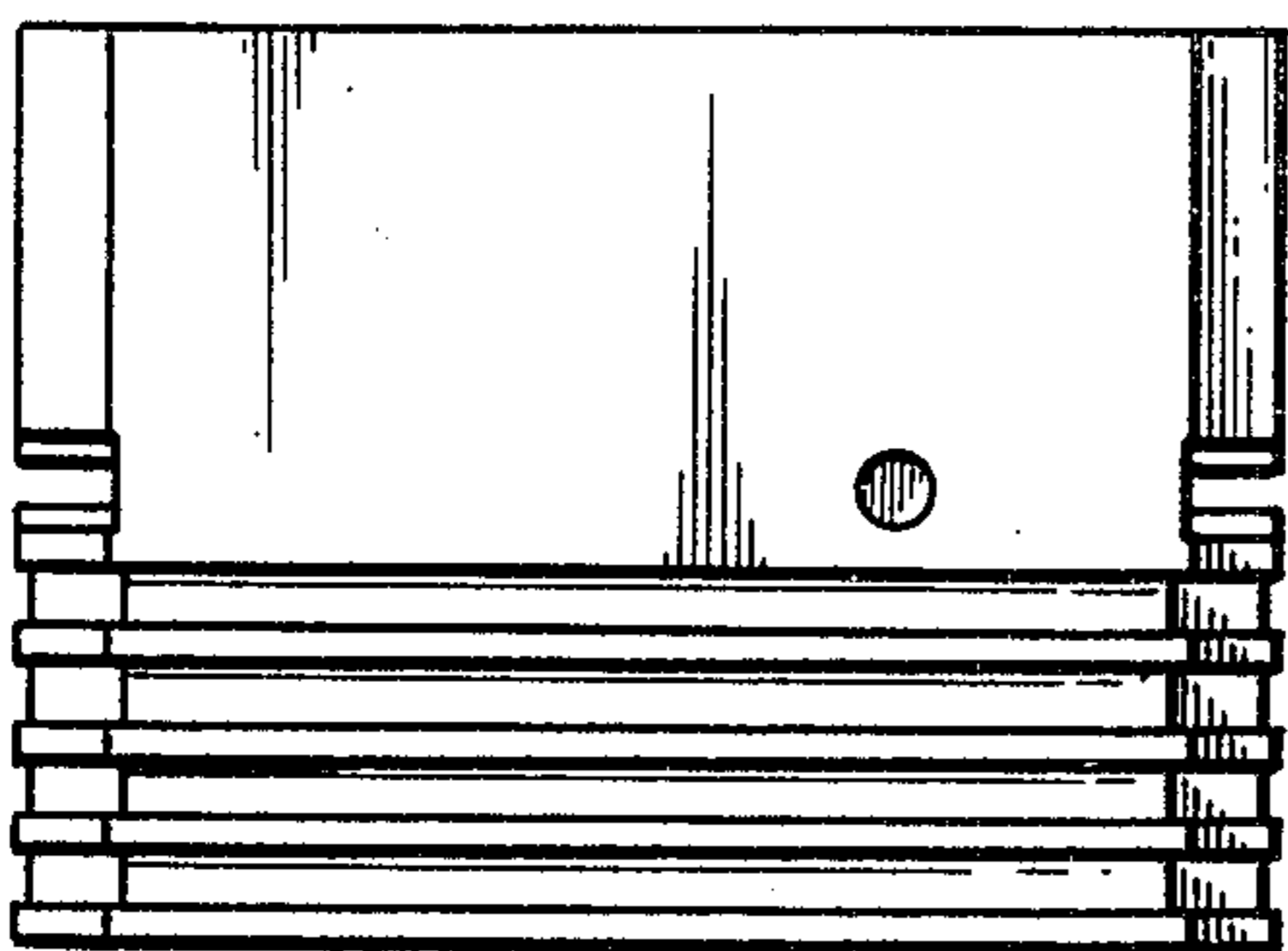


Fig. 5

