

[54] **FOIL TAKEOFF SWITCH OR SIMILAR ARTICLE**

[75] **Inventors:** Isadore Gepner, Elmont; Arthur W. Shaw, Syosset, both of N.Y.

[73] **Assignee:** Pittway Corporation, Syosset, N.Y.

[**] **Term:** 14 Years

[21] **Appl. No.:** 494,271

[22] **Filed:** May 13, 1983

[52] **U.S. Cl.** D13/32

[58] **Field of Search** D13/32, 35; 200/61, 200/71, 293-294, 296, 302.2-302.3; 174/58, 63; 220/3.2-3.6; 361/230, 331-332, 335, 346, 390

[56] **References Cited**

U.S. PATENT DOCUMENTS

D. 113,663 3/1939 Frank D13/35
4,392,707 7/1983 Holce et al. 200/61.71

OTHER PUBLICATIONS

Mountain West Alarm Supply Co., cat. B-79, 2/1979, p. 35 Deluxe Window Foil Contact.

Primary Examiner—Catherine E. Kemper

Assistant Examiner—Ruth Takemoto

[57] **CLAIM**

The ornamental design for the foil takeoff switch or similar article, substantially as shown.

DESCRIPTION

FIG. 1 is a perspective view of a foil takeoff switch or similar article showing our new design;

FIG. 2 is a front elevational view thereof;

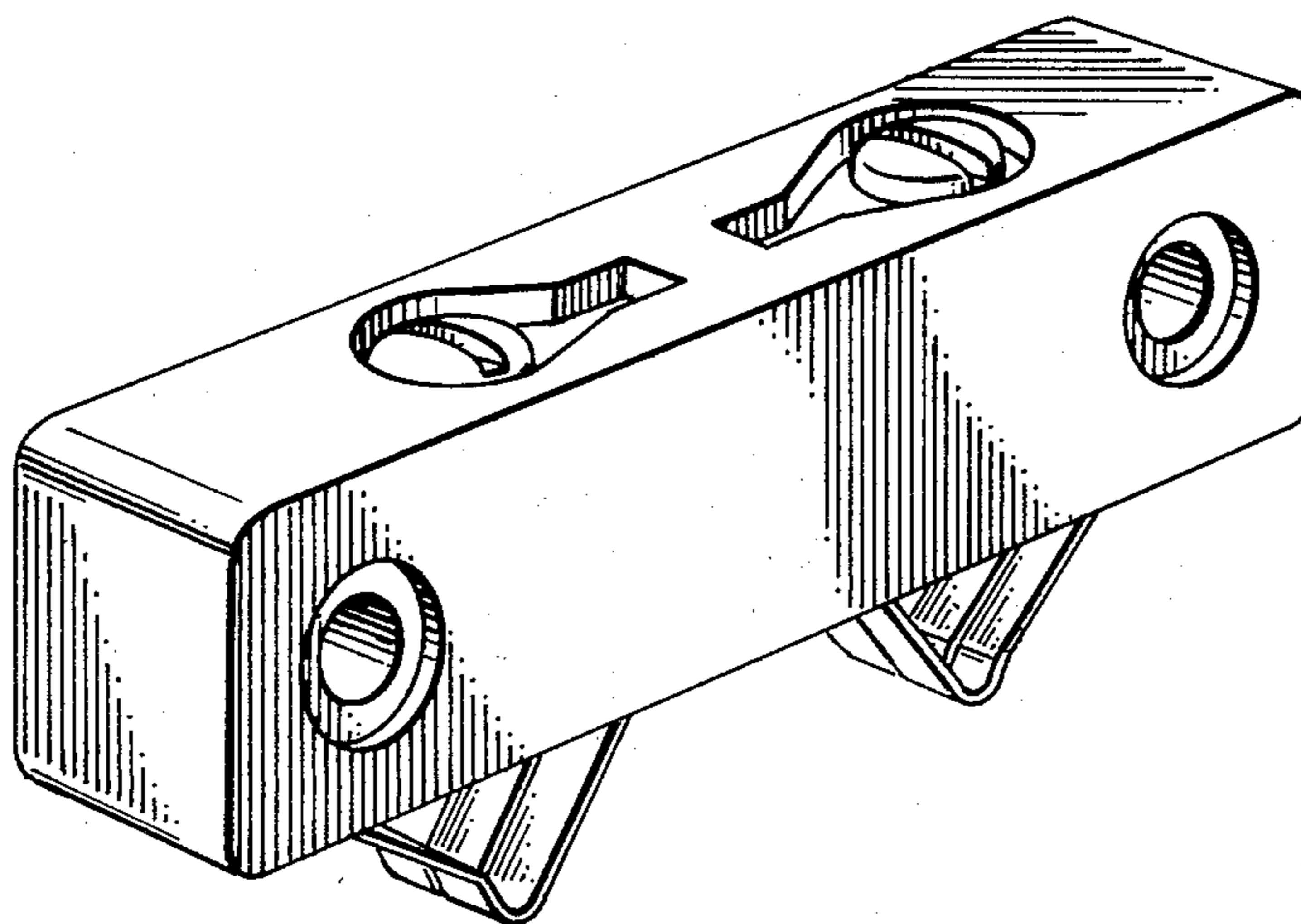
FIG. 3 is a top plan view thereof;

FIG. 4 is a left side elevational view thereof;

FIG. 5 is a right side elevational view thereof;

FIG. 6 is a bottom plan view thereof;

FIG. 7 is a rear elevational view thereof.



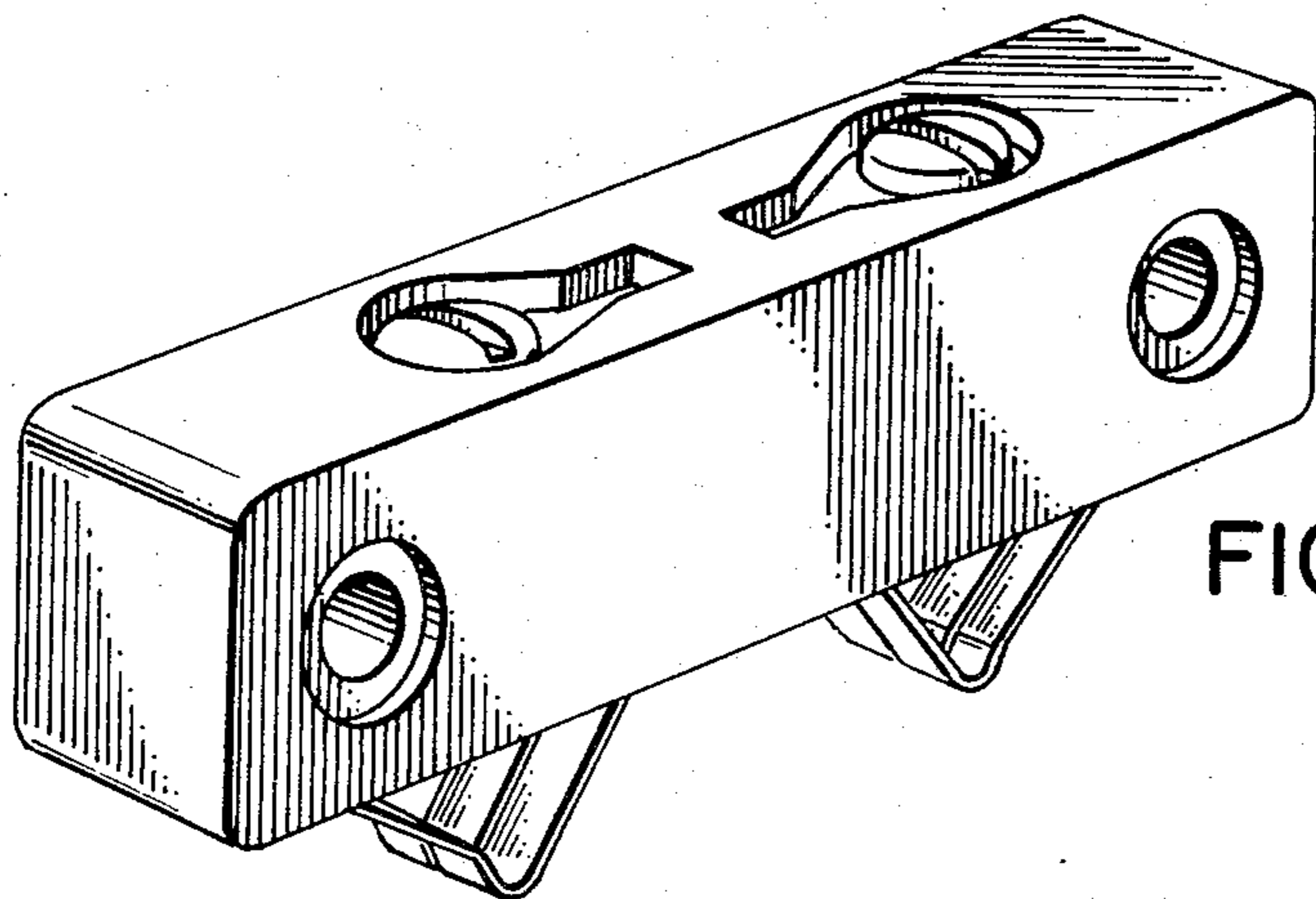


FIG. 1



FIG. 3

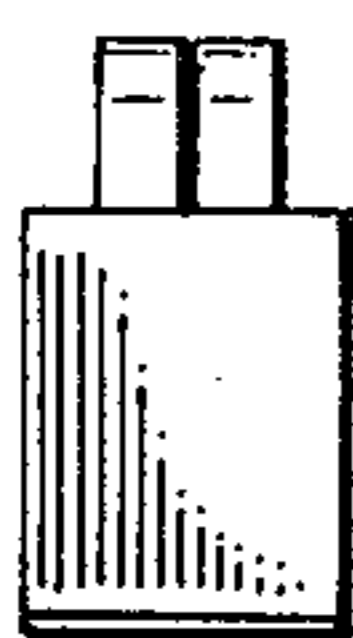


FIG. 4

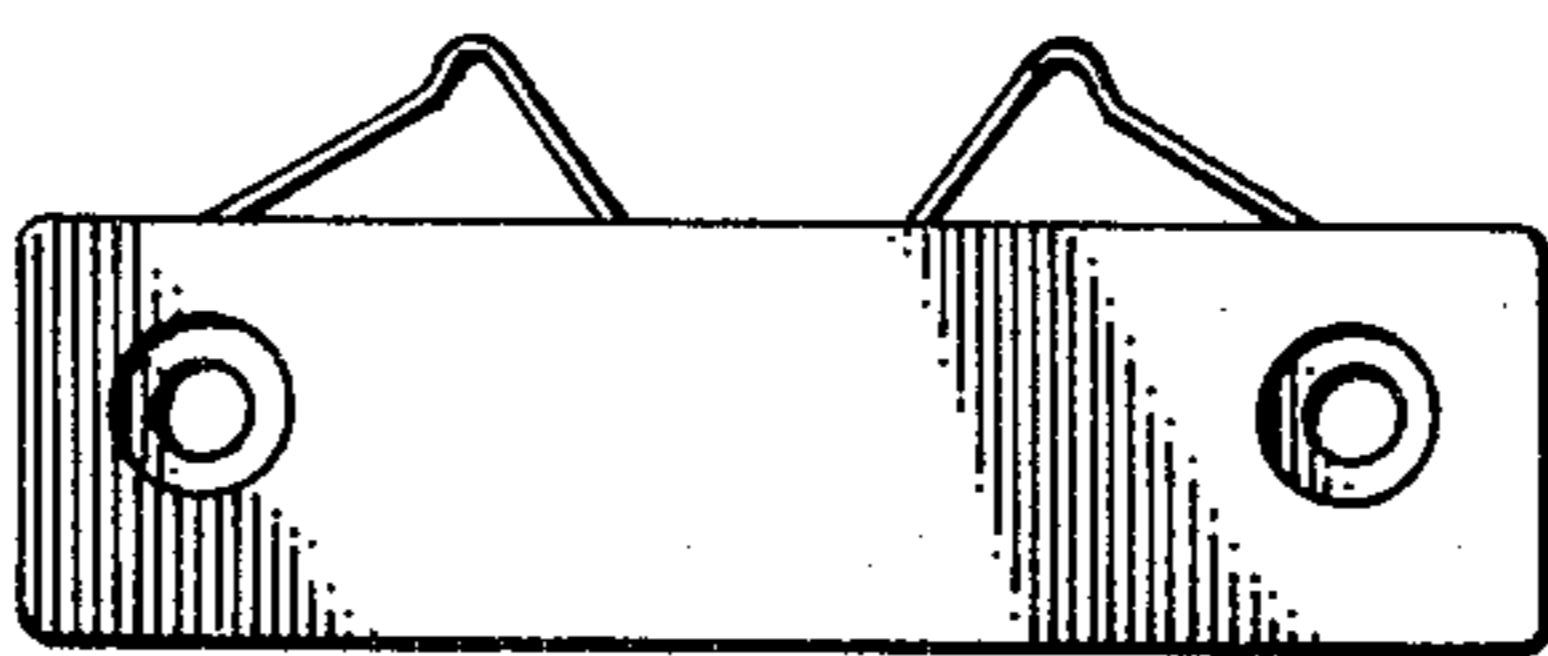


FIG. 2

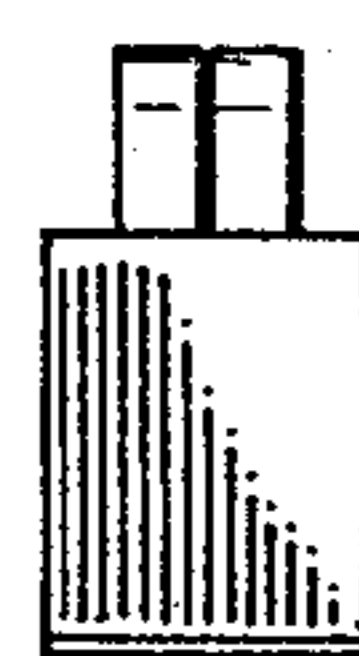


FIG. 5

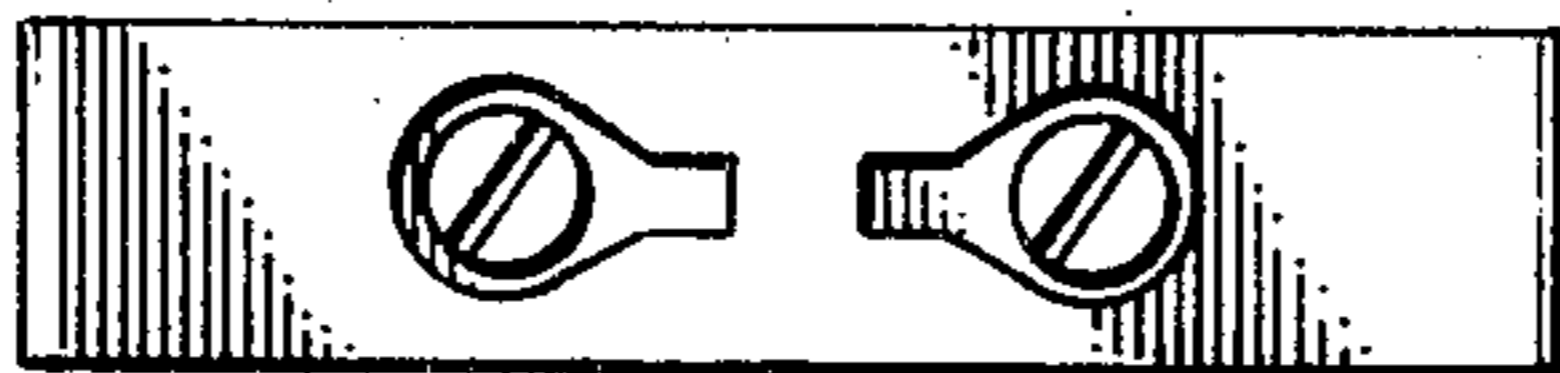


FIG. 6

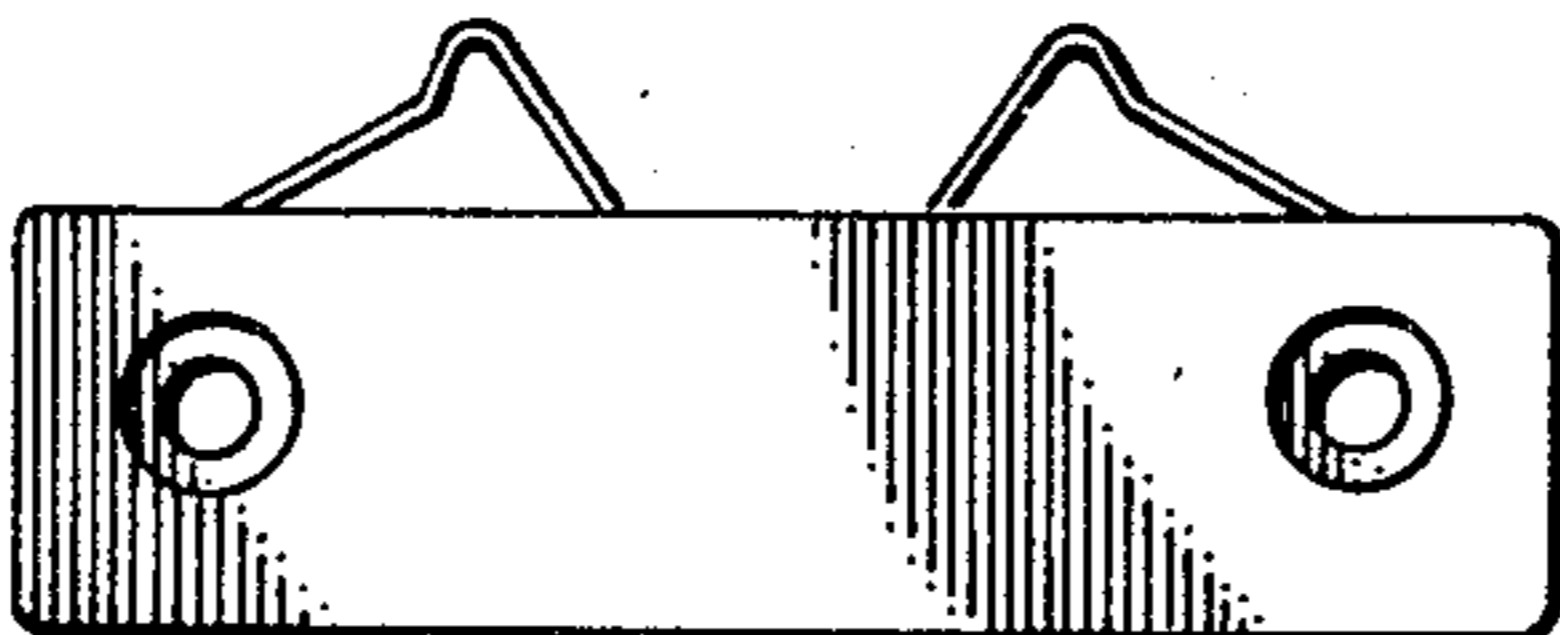


FIG. 7