

[54] ELECTRICAL OUTLET BOX

[75] Inventors: **Richard J. Borsh**, Chagrin Falls;
Robert W. Ripley, Brecksville;
Harold T. Pate, Solon, all of Ohio

[73] Assignee: **TBG Inc.**, New York, N.Y.

[**] Term: **14 Years**

[21] Appl. No.: **518,656**

[22] Filed: **Jul. 29, 1983**

[52] U.S. Cl. **D13/30**

[58] Field of Search **D13/24, 30, 31, 40,**
D13/41, 13, 26, 99, 27-29; 339/122; 174/138 F,
65 R, 135, 52 R; 220/3.2, 3.3

3,917,899 11/1975 Oliver 339/122 R X
4,051,322 9/1977 Park et al. 174/65 R
4,249,035 2/1981 Watley 174/52 R

FOREIGN PATENT DOCUMENTS

508152 1/1952 Belgium 174/65 R
1042065 10/1958 Fed. Rep. of Germany 174/65 R
690532 4/1953 United Kingdom 174/65 R

Primary Examiner—Susan J. Lucas
Assistant Examiner—C. E. Heflin
Attorney, Agent, or Firm—Laney, Dougherty, Hessin &
Beavers

[57] CLAIM

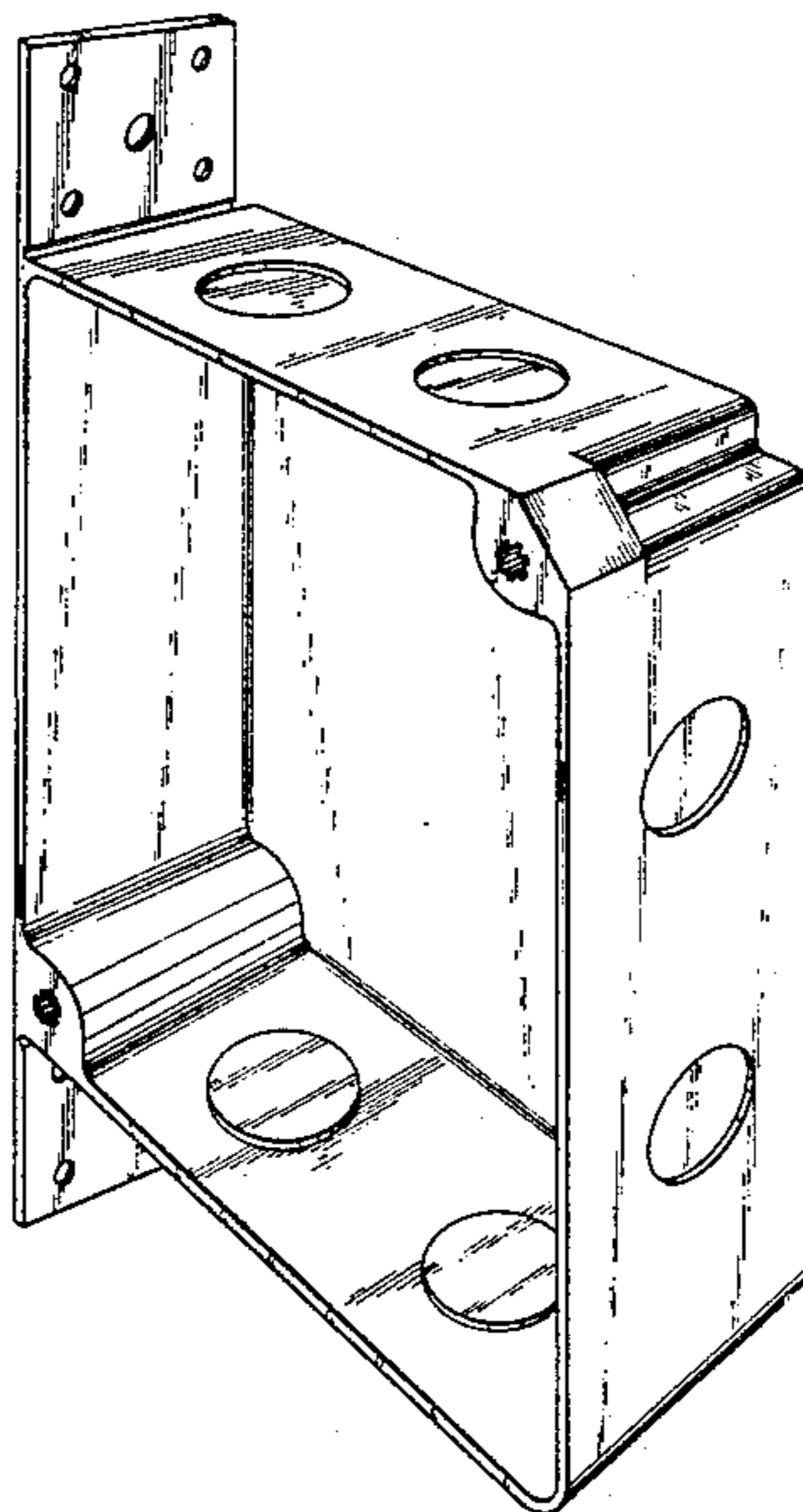
The ornamental design for an electrical outlet box, as shown and described.

DESCRIPTION

FIG. 1 is a top plan view of an electrical outlet box showing our new design;
FIG. 2 is a front elevational view thereof;
FIG. 3 is a side elevational view thereof;
FIG. 4 is a bottom plan view thereof;
FIG. 5 is a rear elevational view thereof;
FIG. 6 is an opposite said elevational view thereof;
FIG. 7 is an enlarged front perspective view thereof.

[56] **References Cited**
U.S. PATENT DOCUMENTS

911,844 2/1909 Schoenberg 339/112 R X
1,847,169 3/1932 Buchanan D13/13 X
2,252,953 8/1941 Walters 220/3.3 X
2,397,688 4/1946 Osinski 339/122 R X
2,433,917 1/1948 McCartney 339/122 R
3,358,261 12/1967 Gaines et al. D13/30 X
3,575,313 4/1971 Trachtenberg et al. 220/3.3



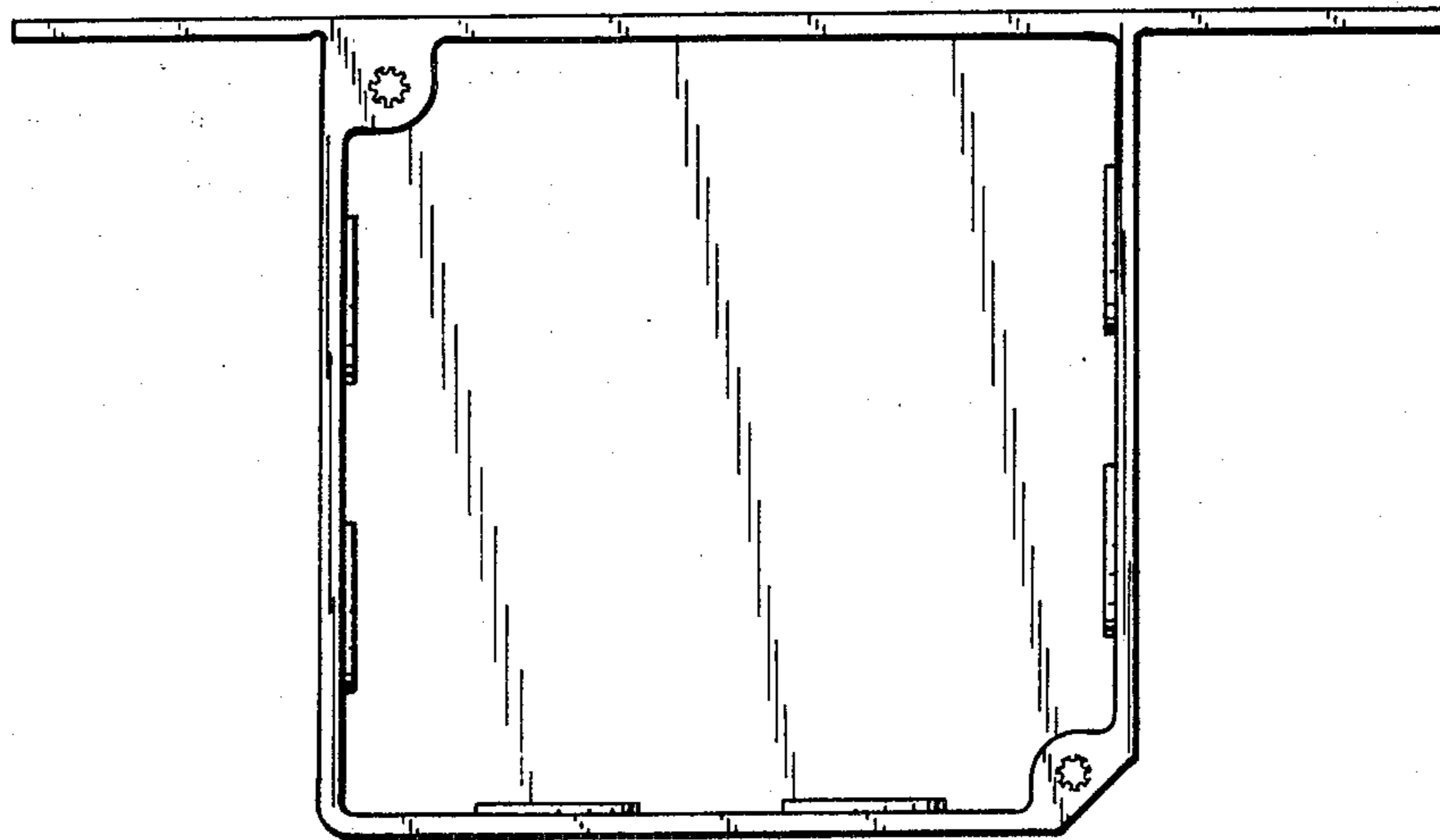


FIG. 1

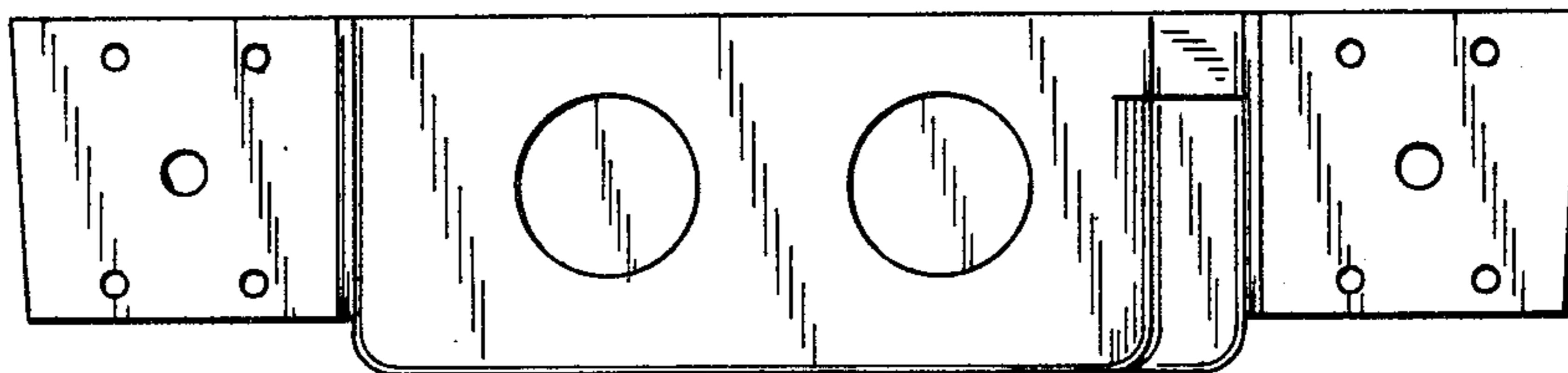


FIG. 2

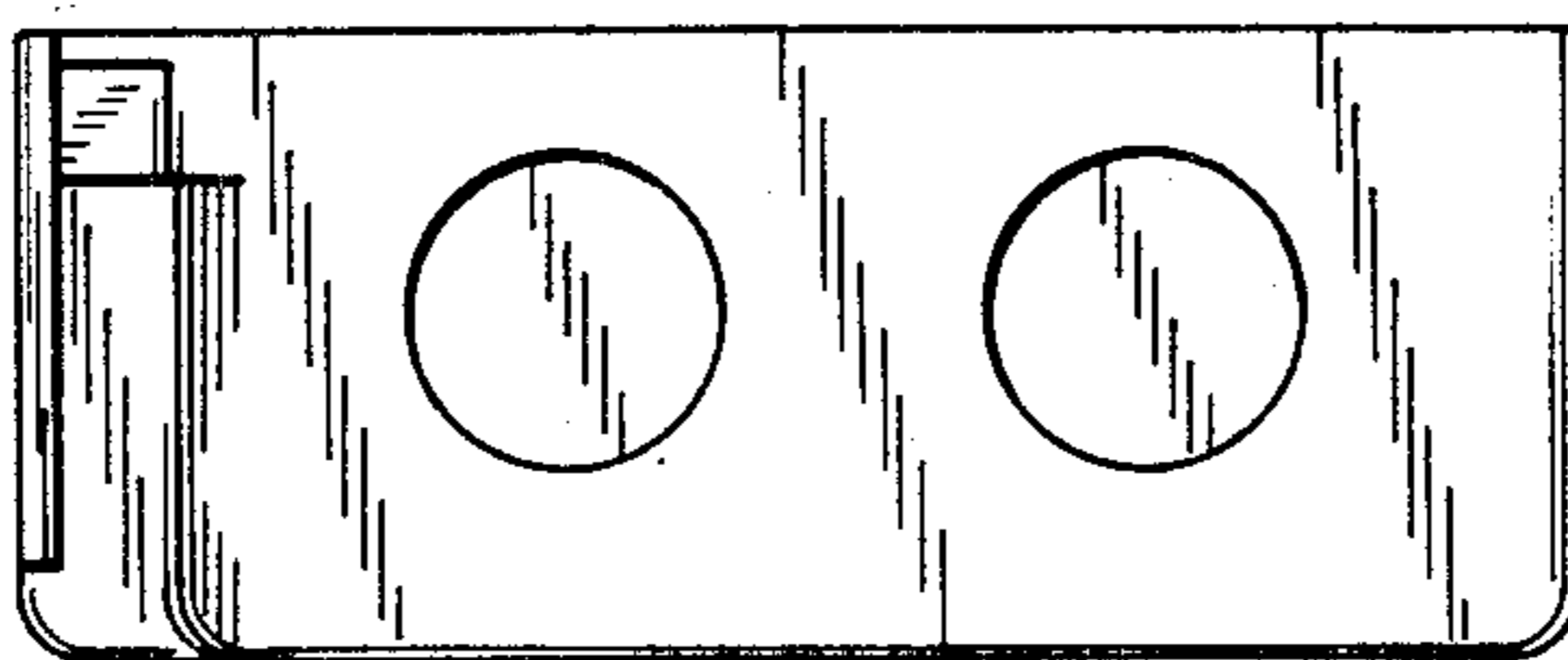


FIG. 3

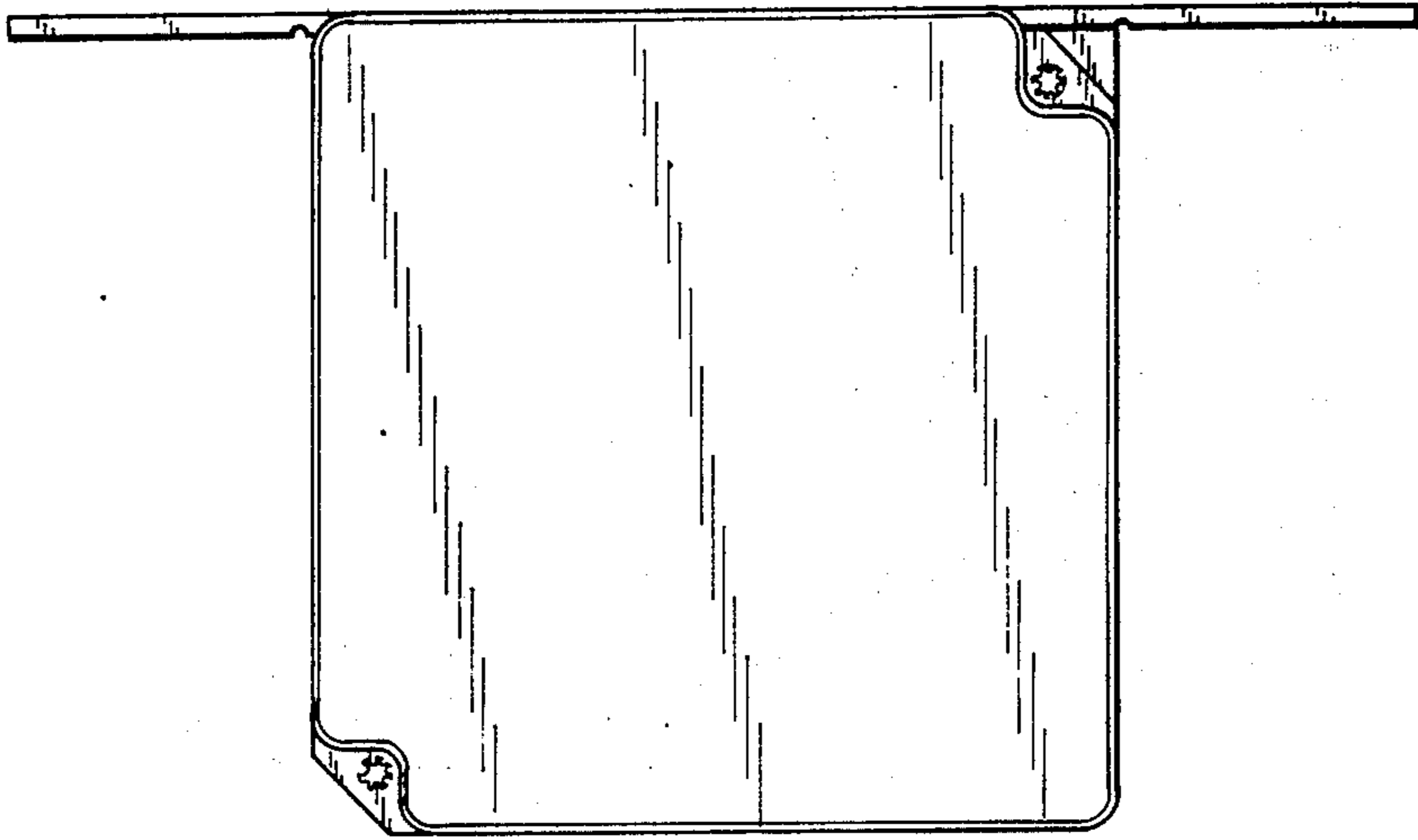


FIG. 4

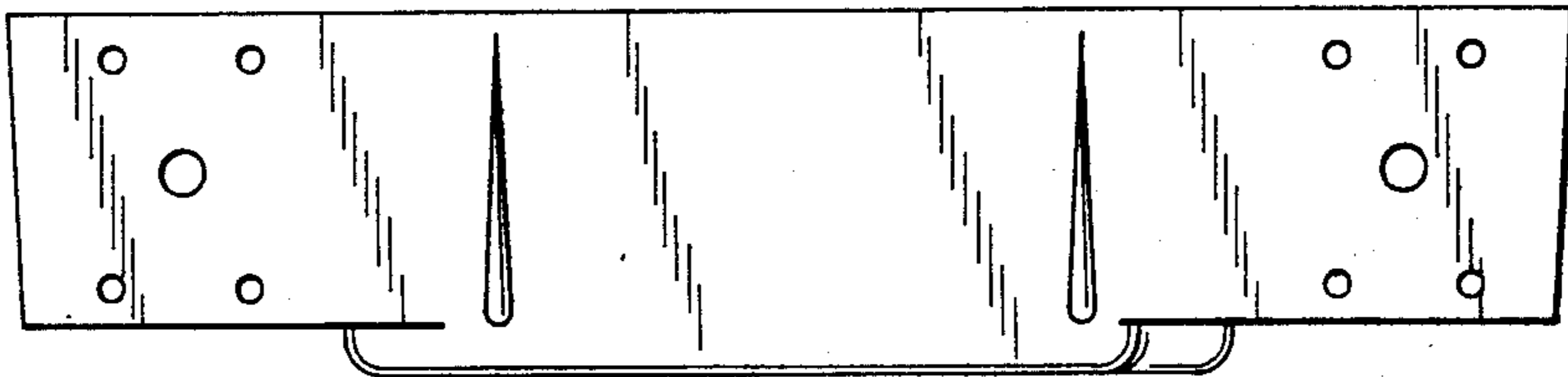


FIG. 5

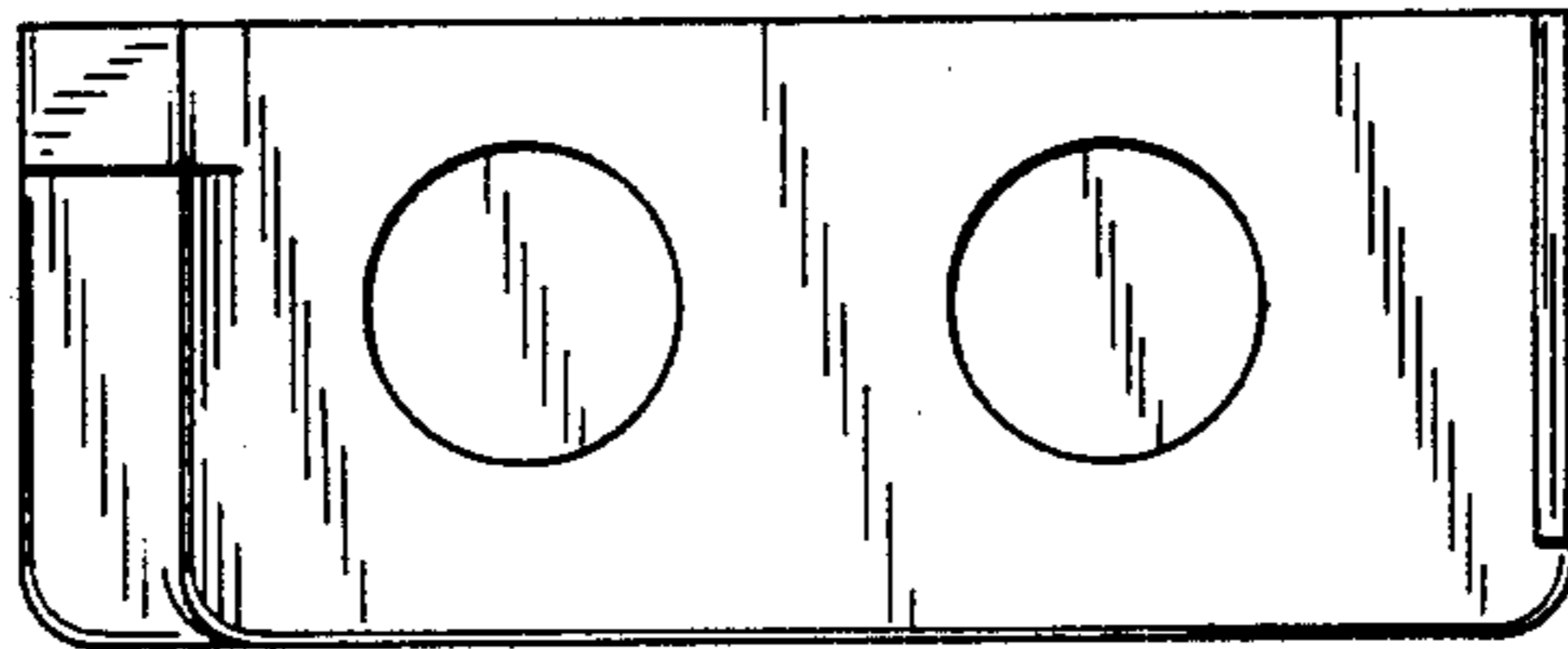


FIG. 6

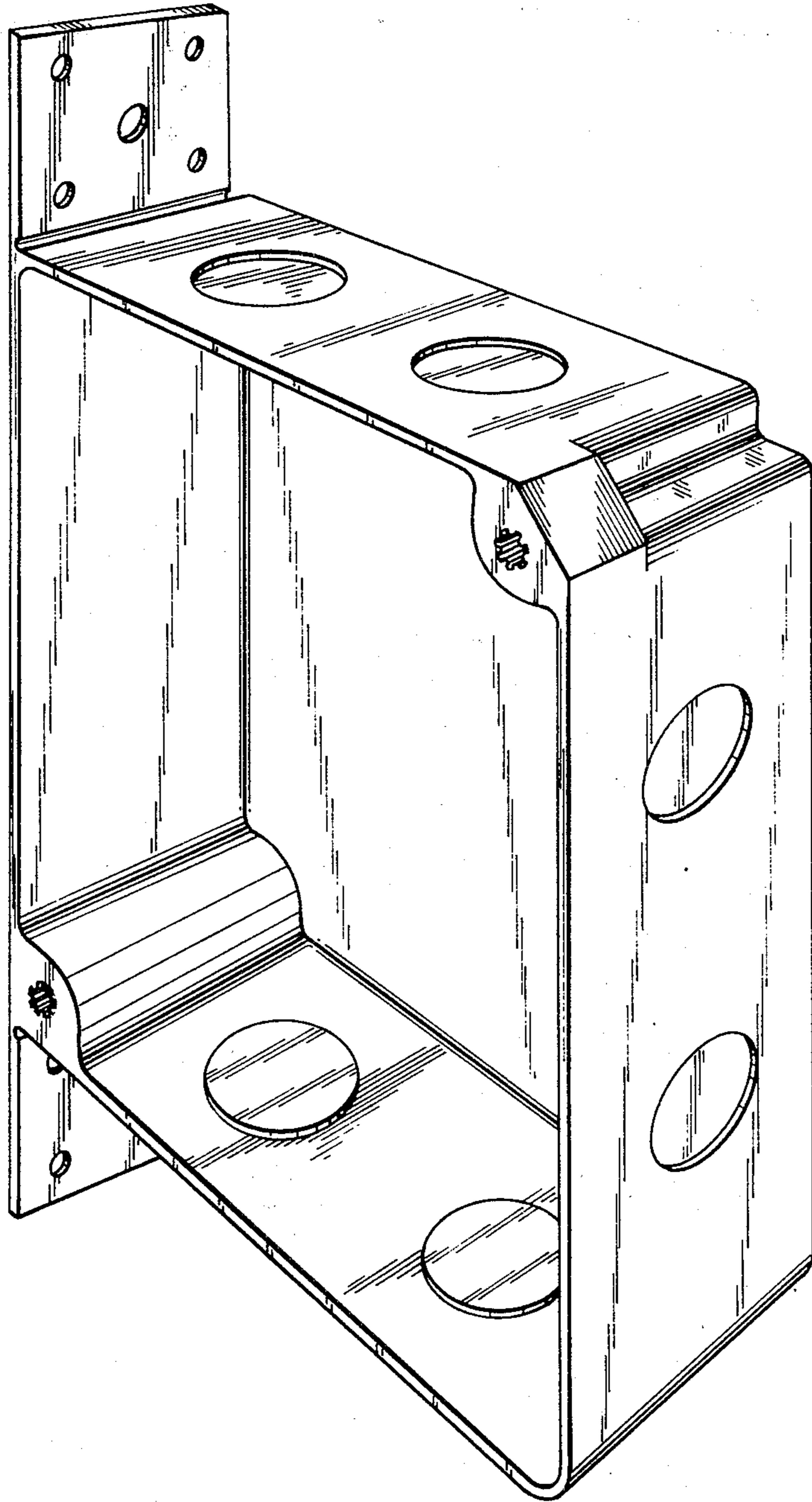


FIG. 7