

[54] **BATTERY TERMINAL POST CLAMP**

[76] **Inventor: Lars Eriksson, Djurgardsvagen 15, S-633 40 Eskilstuna, Sweden**

[**] **Term: 14 Years**

[21] **Appl. No.: 554,722**

[22] **Filed: Nov. 23, 1983**

[52] **U.S. Cl. D13/24**

[58] **Field of Search D13/24, 8, 9, 10, 31; 339/116, 235, 238**

3,928,079 12/1975 Jennings et al. 339/116 R

*Primary Examiner—Wallace R. Burke
Assistant Examiner—Brian N. Vinson
Attorney, Agent, or Firm—James C. Wray*

[57] **CLAIM**

The ornamental design for a battery terminal post clamp, as shown.

DESCRIPTION

FIG. 1 is a front perspective view of a battery terminal post clamp showing my new design, with the clamp being in the open position;

FIG. 2 is a side elevation thereof;

FIG. 3 is a front elevation thereof;

FIG. 4 is an opposite side elevation thereof;

FIG. 5 is a rear elevation thereof;

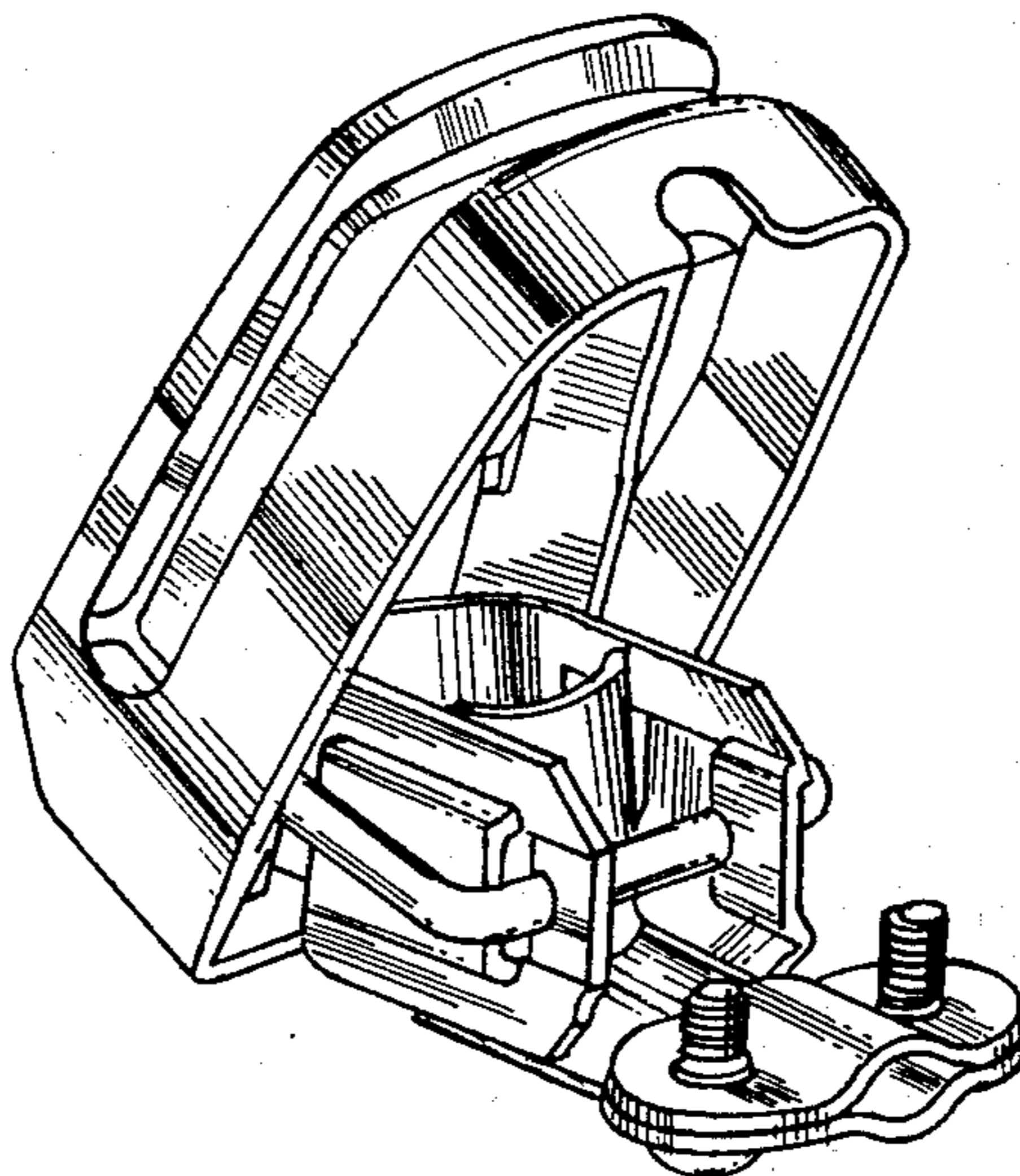
FIG. 6 is a top plan view thereof; and

FIG. 7 is a bottom plan view thereof.

[56] **References Cited**

U.S. PATENT DOCUMENTS

1,631,555	6/1927	Seward et al.	339/116 R
2,927,955	3/1960	Crawford	339/116 C
3,112,148	11/1963	Wochner	339/116 C
3,413,593	11/1968	Schaefer	339/116 C
3,636,504	1/1972	Applegate	339/116 C



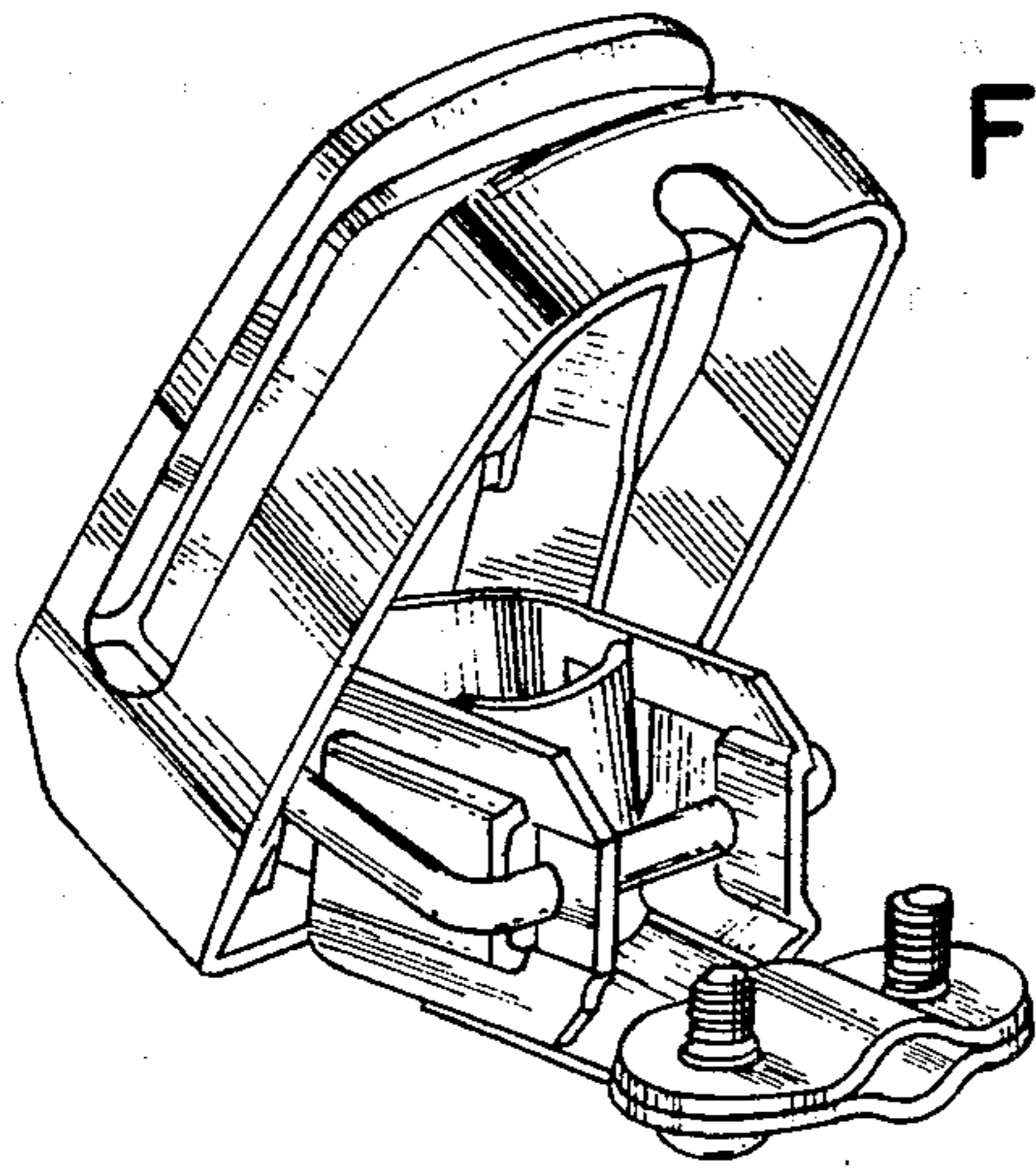


FIG. 1

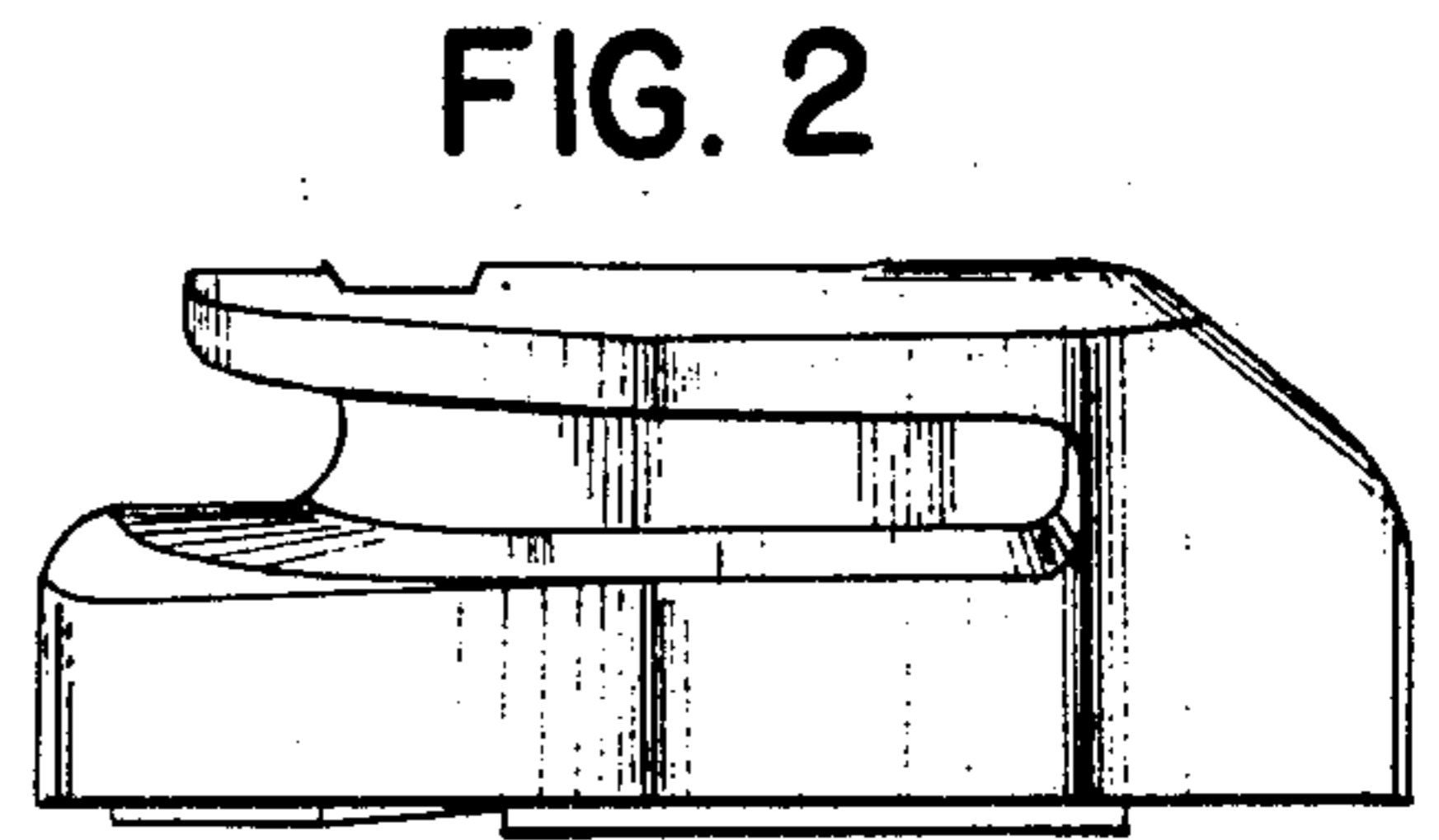


FIG. 2

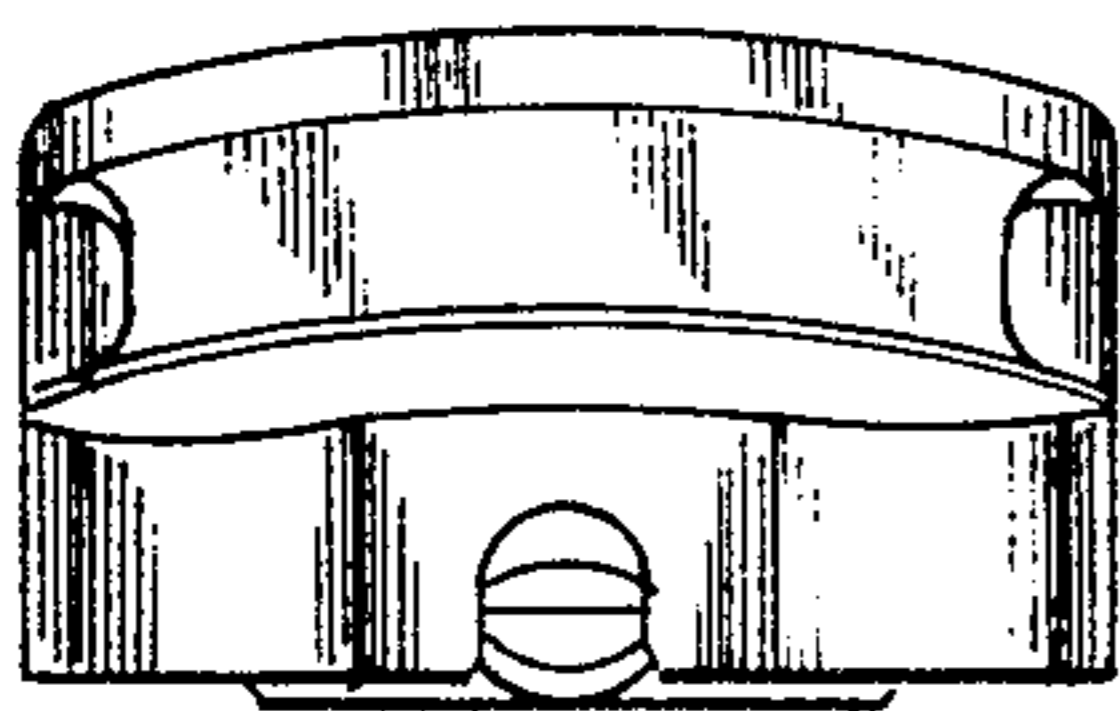


FIG. 3

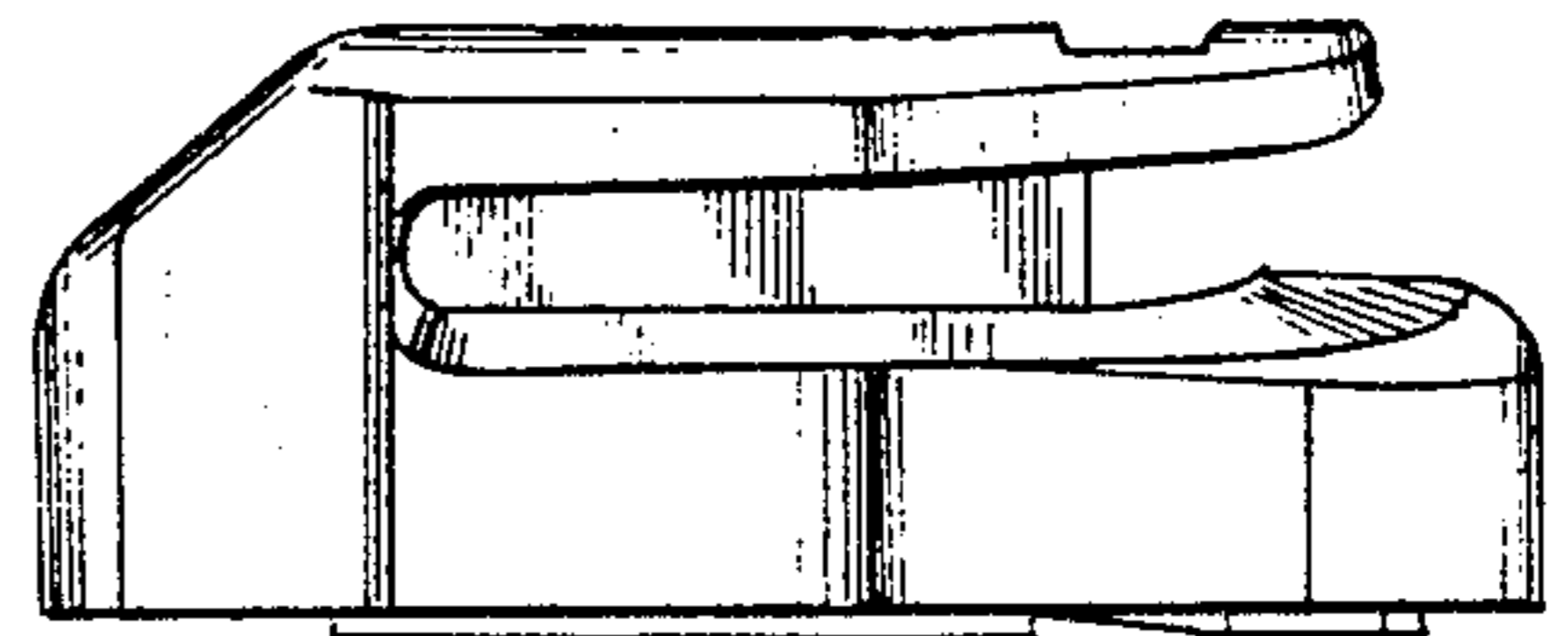


FIG. 4

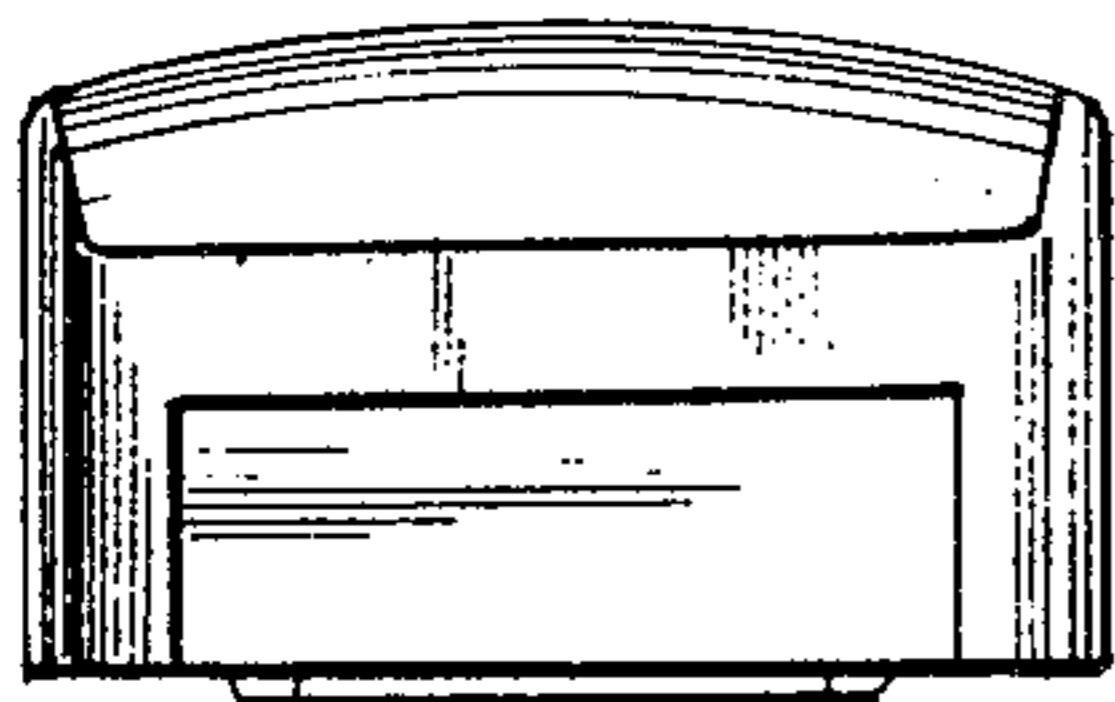


FIG. 5

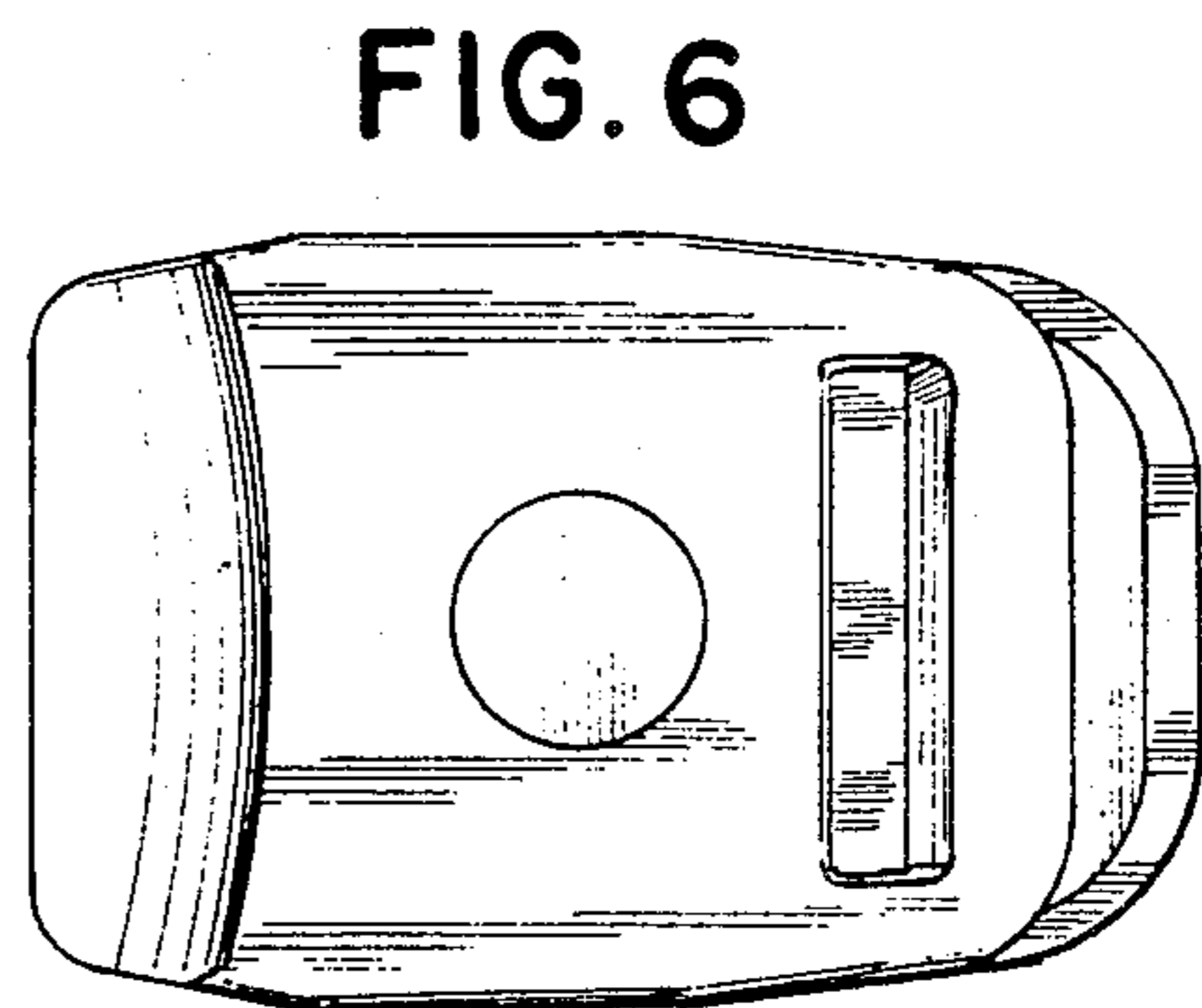


FIG. 6

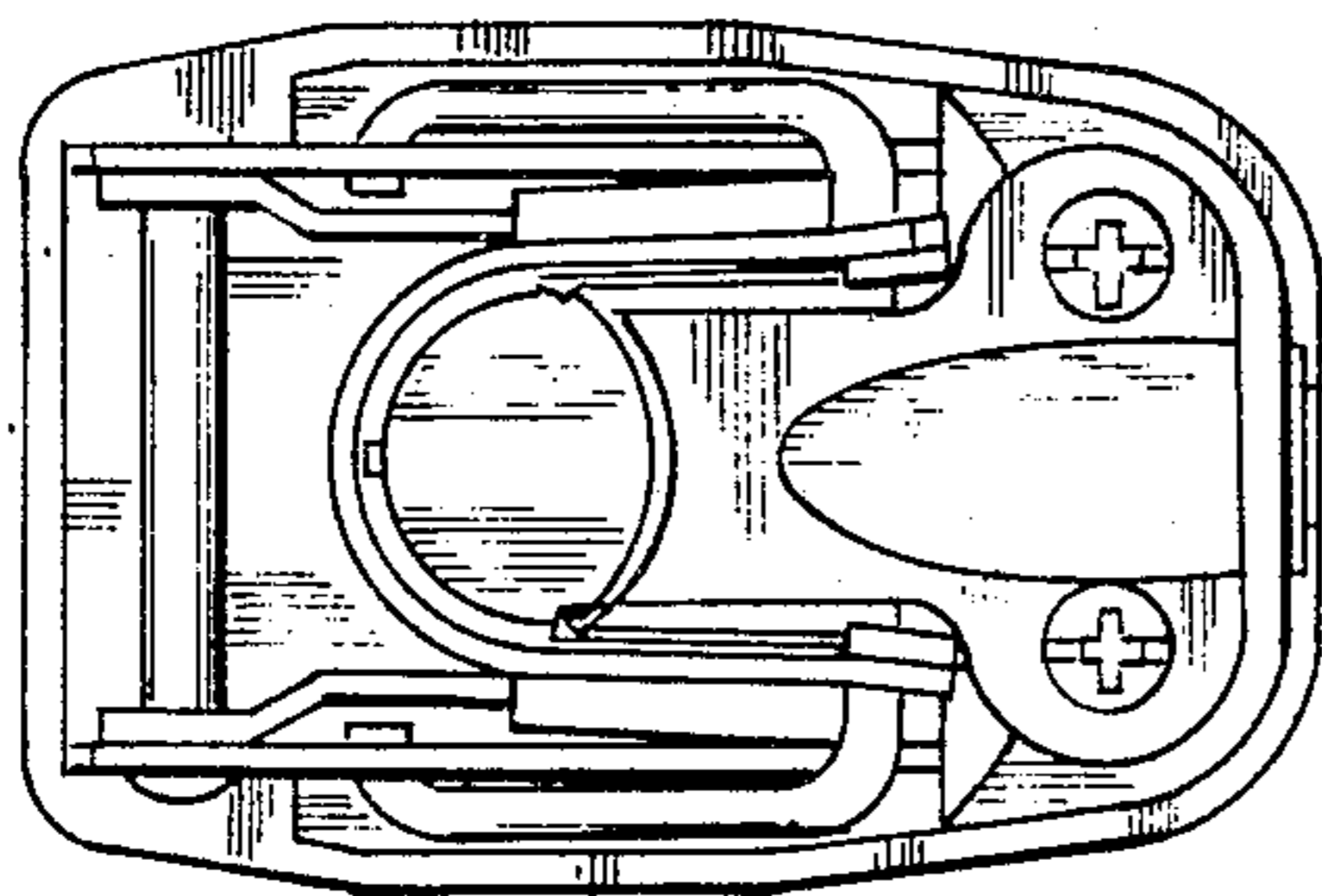


FIG. 7