

[54] FOUR WHEEL VEHICLE

[75] Inventors: Yasuhiro Ooba, Saitama; Kazuhiko Saito, Tokyo; Mitsuru Yamamoto, Saitama, all of Japan

[73] Assignee: Honda Giken Kogyo Kabushiki Kaisha, Tokyo, Japan

[**] Term: 14 Years

[21] Appl. No.: 613,512

[22] Filed: May 23, 1984

[30] Foreign Application Priority Data

Nov. 24, 1983 [JP] Japan 58-50963

[52] U.S. Cl. D12/87

[58] Field of Search D12/87; 296/185, 186

[56] References Cited

PUBLICATIONS

Hot Rod, 3/69, pp. 34, 35 & 37, Wampuskitty & Bandido Off Road Vehicles.

Design news, 4/21/75, p. 22, Maxi-Form Territory Off Road Vehicle.

Design, 10/68, p. 238, Wheelchair Vehicle.

Primary Examiner—James M. Gandy
Attorney, Agent, or Firm—Lyon & Lyon

[57] CLAIM

The ornamental design for a four wheel vehicle, as shown.

DESCRIPTION

FIG. 1 is a top plan view of a four wheel vehicle showing our new design;

FIG. 2 is a bottom plan view thereof;

FIG. 3 is a front perspective view thereof;

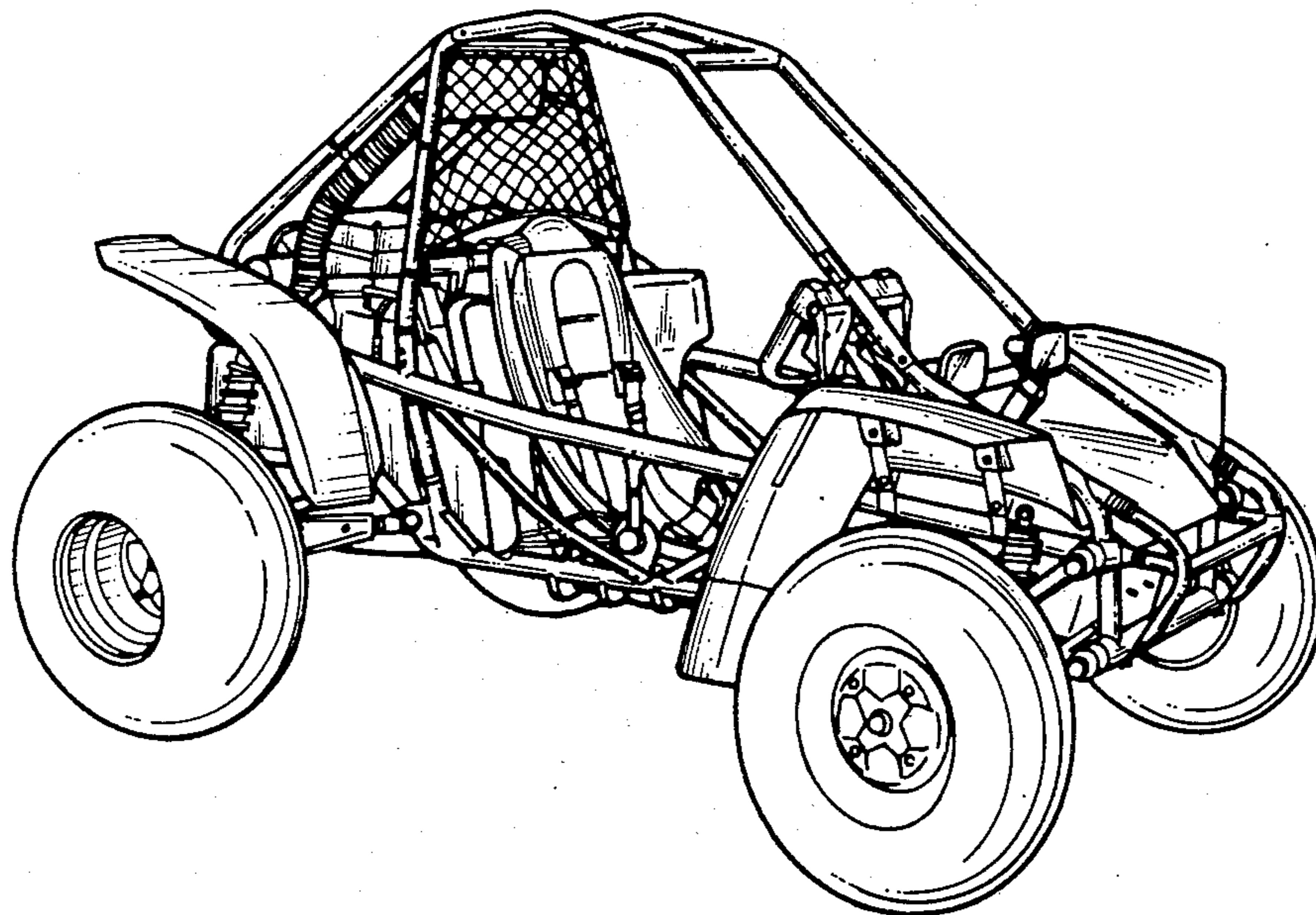
FIG. 4 is a side perspective view of the right side thereof;

FIG. 5 is a side perspective view of the left side thereof;

FIG. 6 is a back perspective view thereof;

FIG. 7 is an oblique view principally illustrating the left side thereof; and

FIG. 8 is an oblique view principally illustrating the right side thereof.



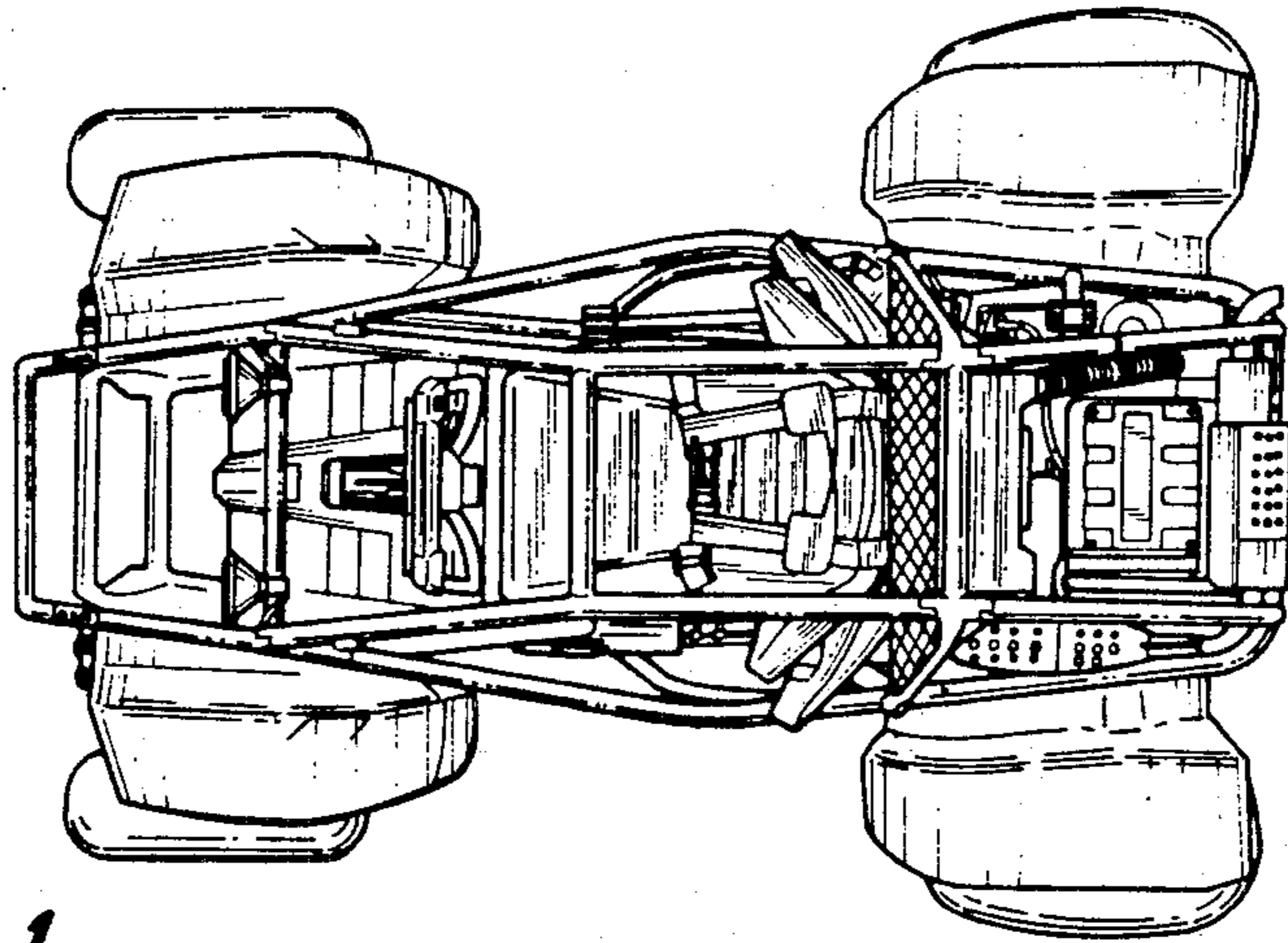


FIG. 1.

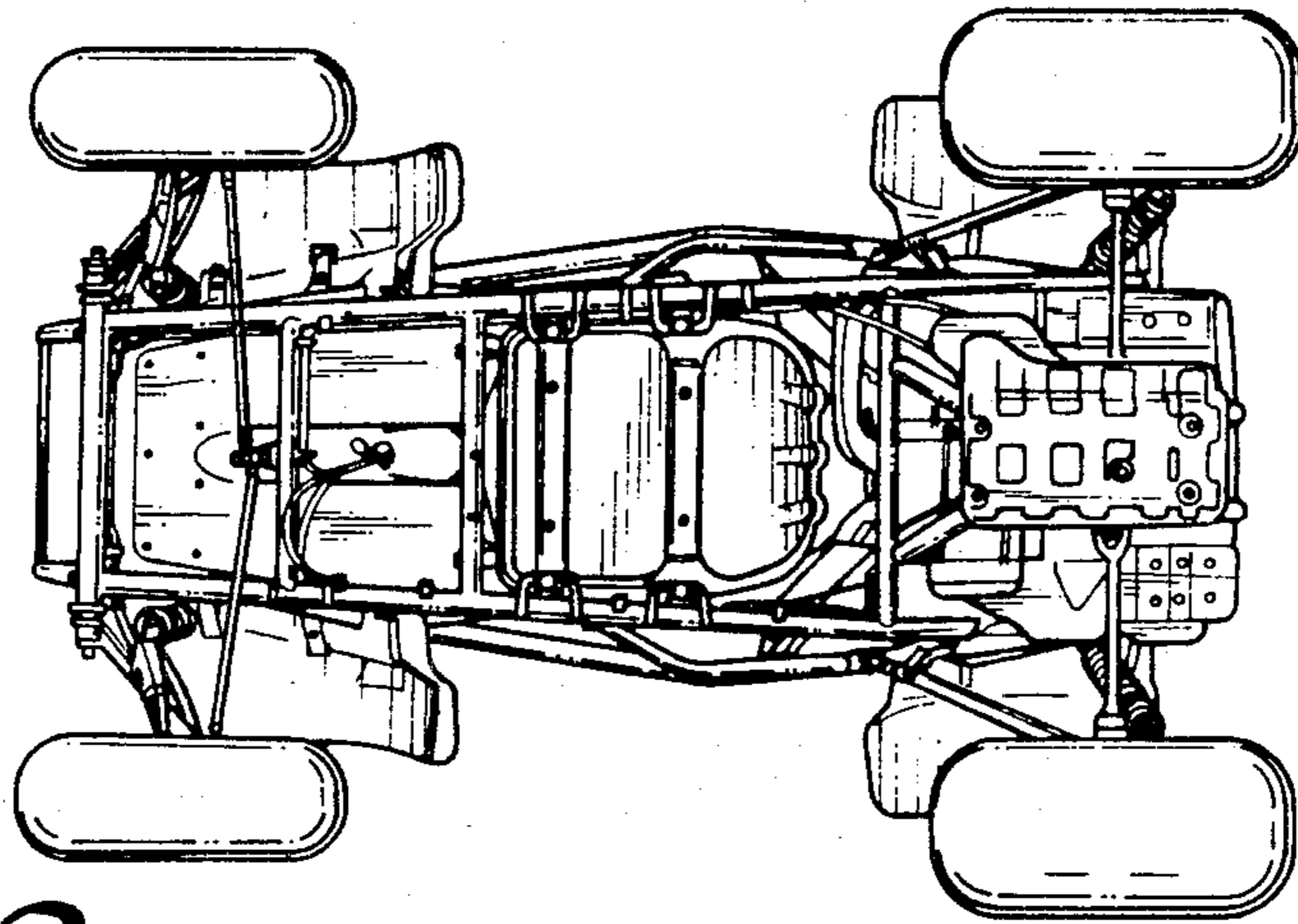


FIG. 2.

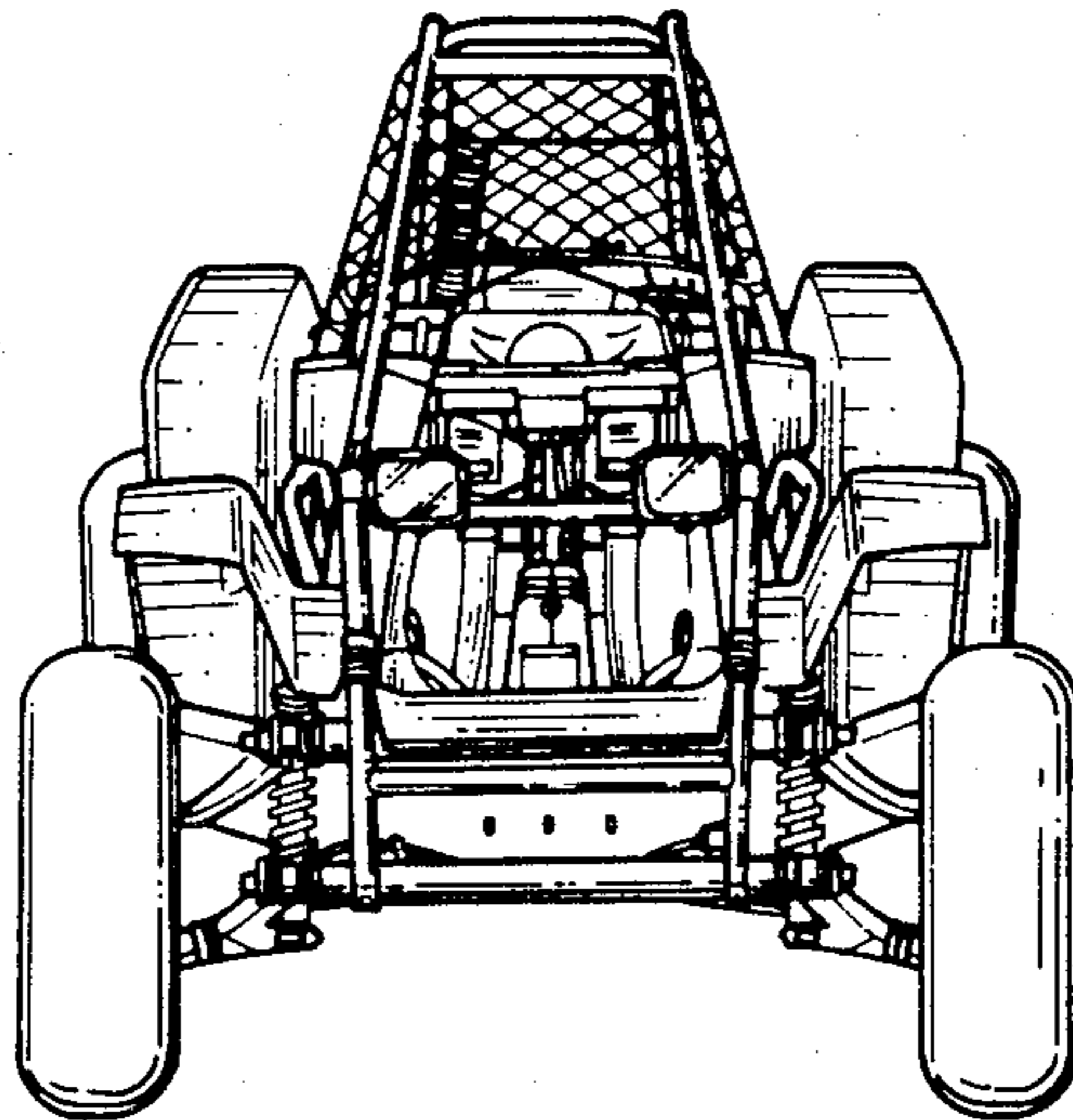


FIG. 3.

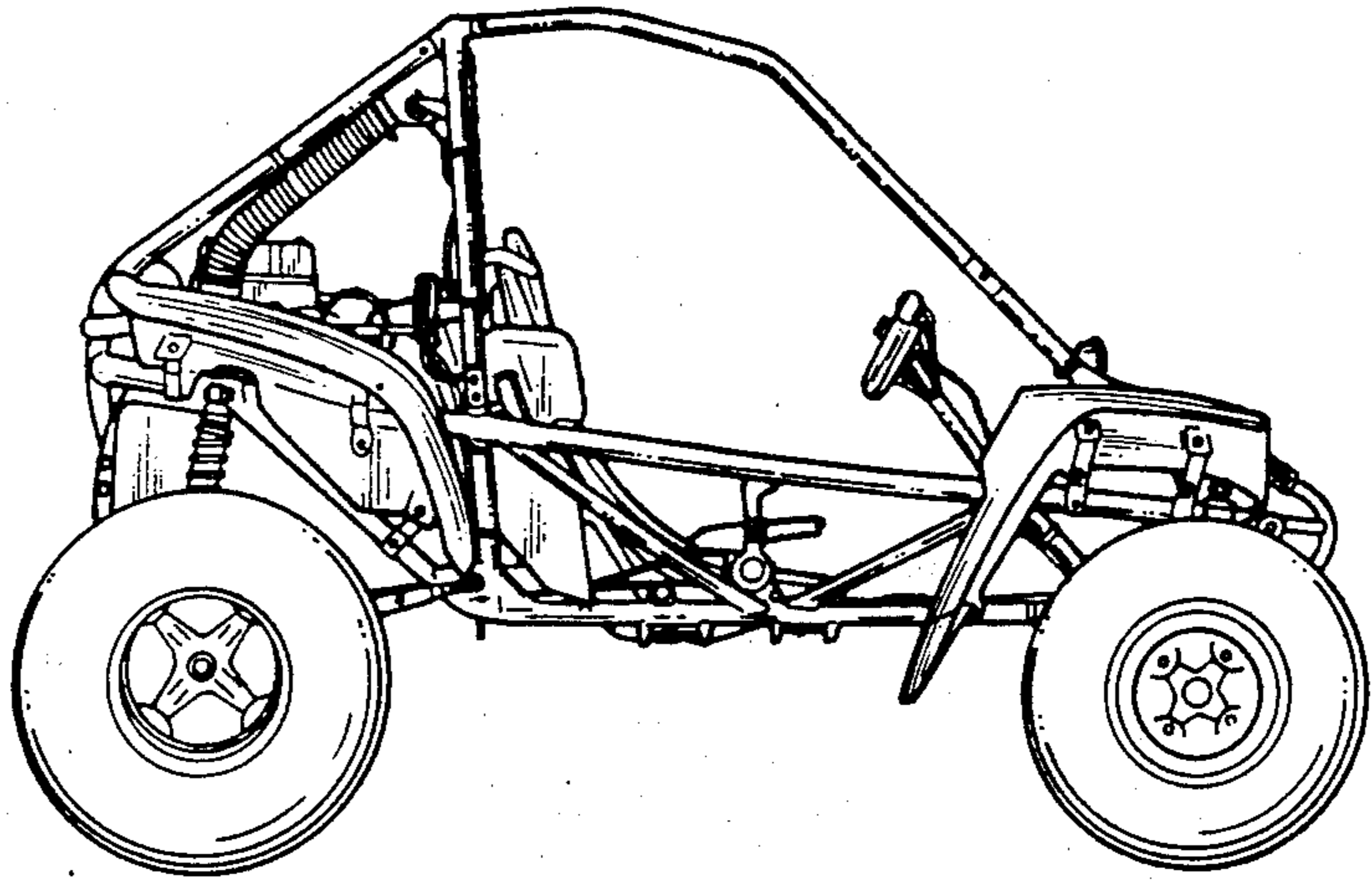


FIG. 4.

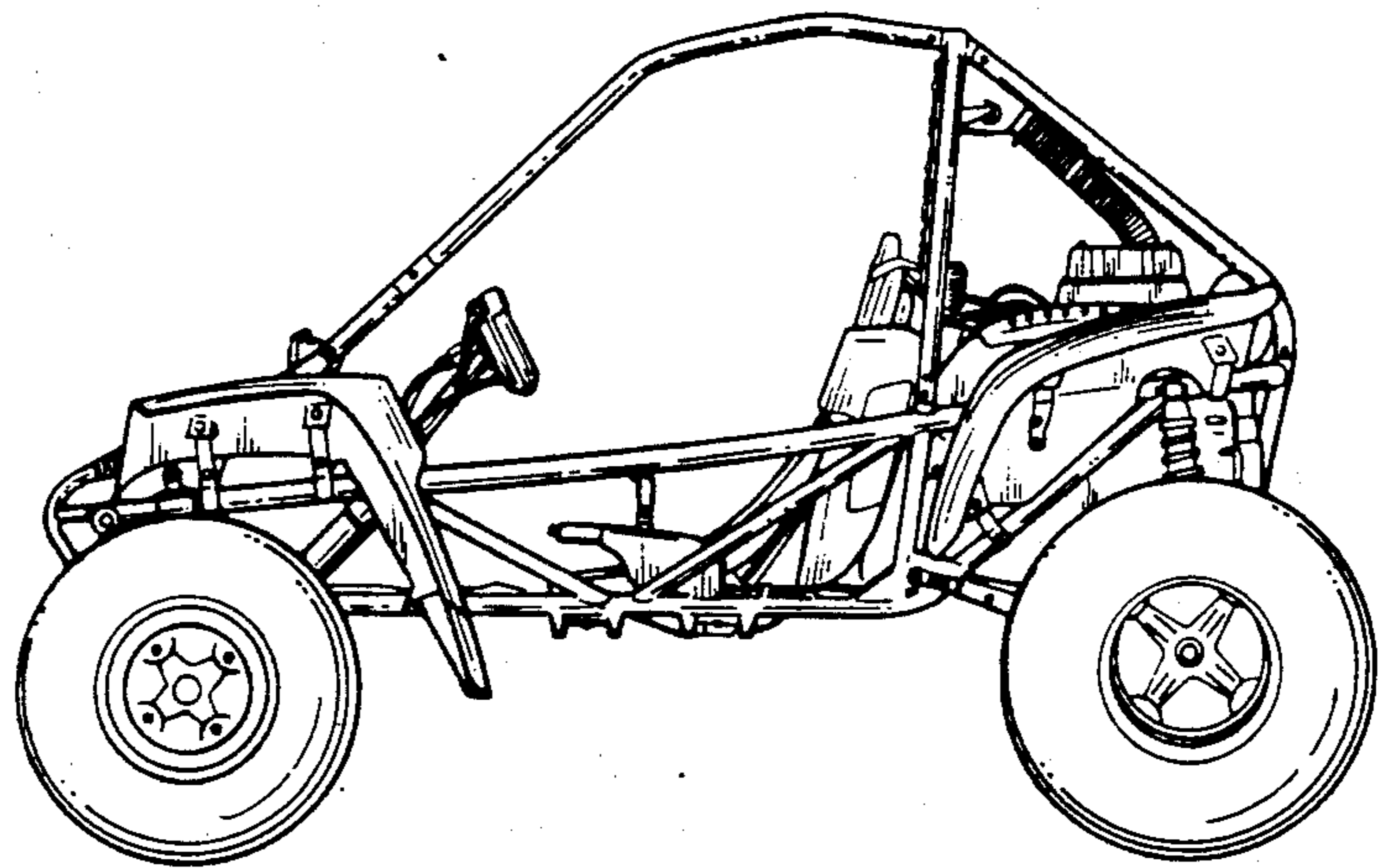


FIG. 5.

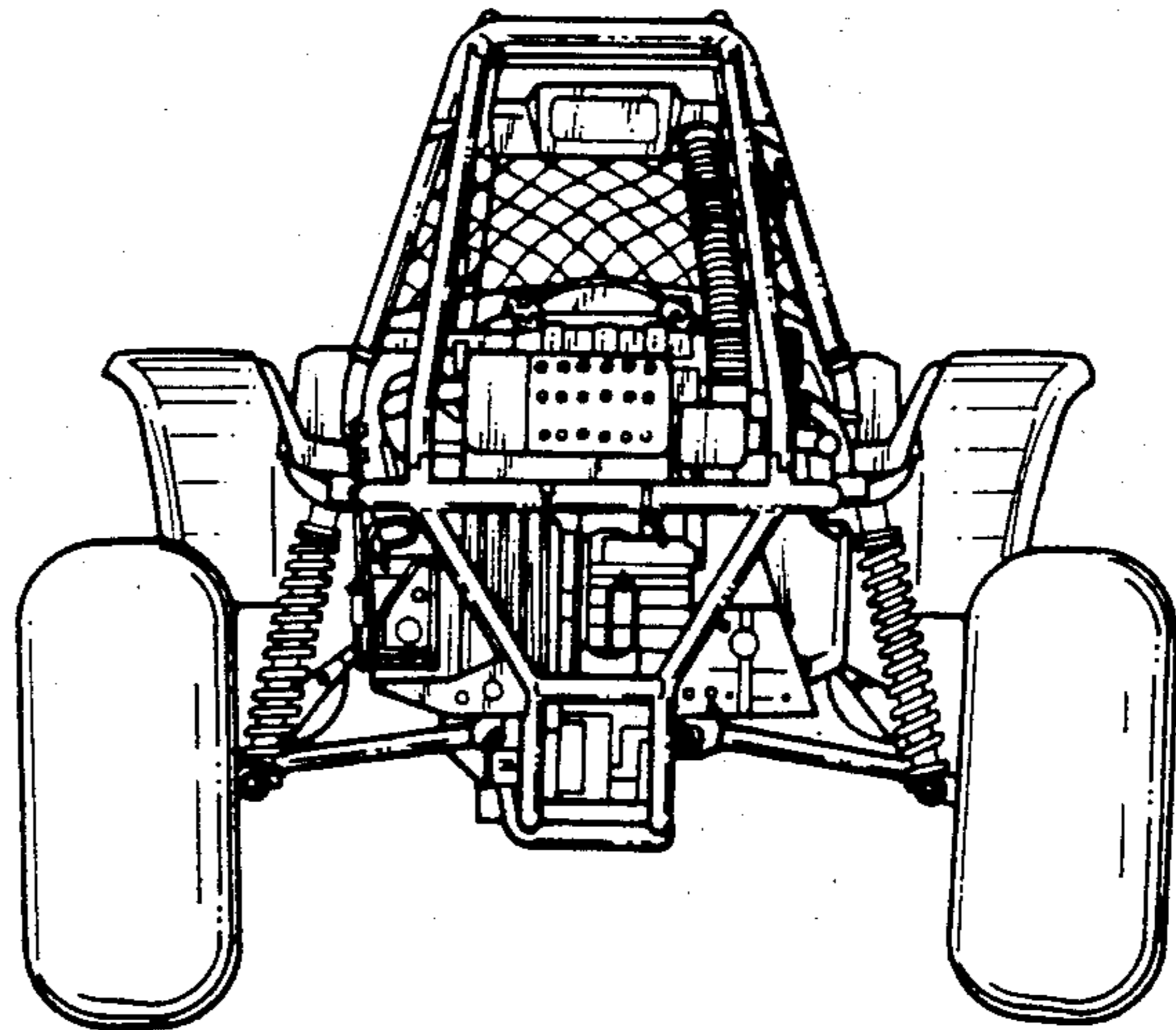


FIG. 6.

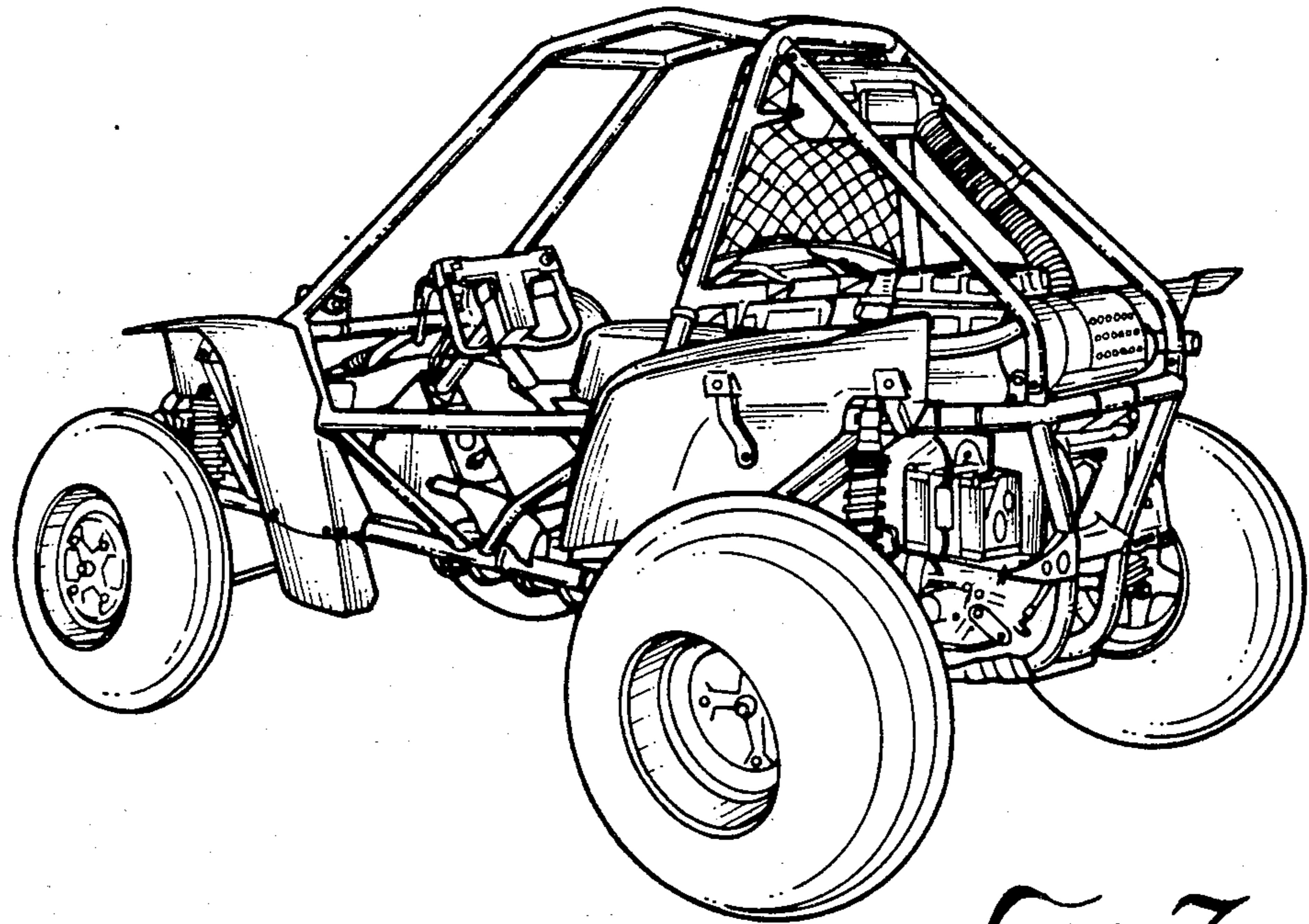


FIG. 7.

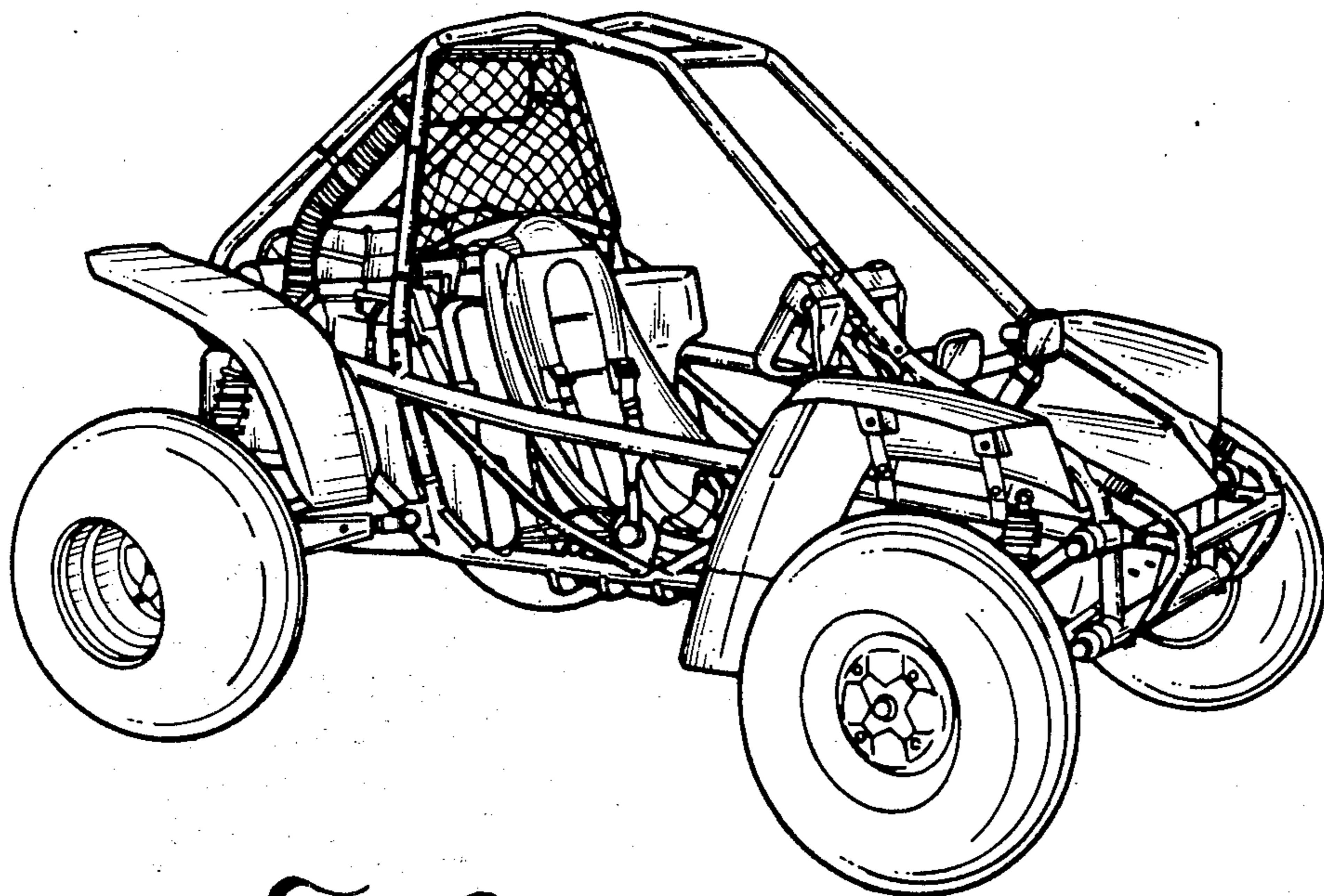


FIG. 8.