

[54] TRAP HOLDER

[76] Inventor: Robert E. Clauss, 5690 Lakeview Dr., Rte. 3, Hale, Mich. 48739

[**] Term: 14 Years

[21] Appl. No.: 583,690

[22] Filed: Feb. 27, 1984

[52] U.S. Cl. D8/373; D22/119; 43/96; 248/125

[58] Field of Search D8/373; 43/96, 58, 88, 43/97; 248/125, 124, 133; D22/18

[56] References Cited

U.S. PATENT DOCUMENTS

631,317	8/1899	Miller	248/125 X
1,898,946	2/1933	Fitzgerald	248/125
1,912,457	6/1933	Lehn	43/88
2,408,593	10/1946	Barber	43/88
2,720,050	10/1955	Pfeiffer	43/96
4,020,585	5/1977	Benschoder	43/96

4,152,861	5/1979	Miller	43/88
4,458,394	7/1984	Schultz	43/96
4,502,242	3/1985	Scherrinsky	43/96
4,549,367	10/1985	Jones, Sr.	43/96

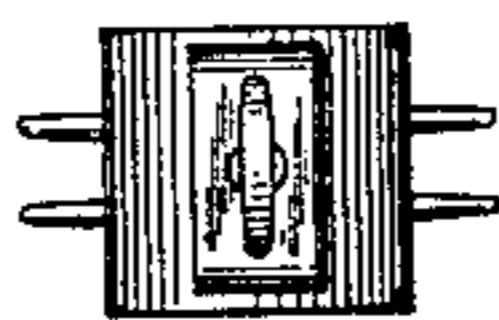
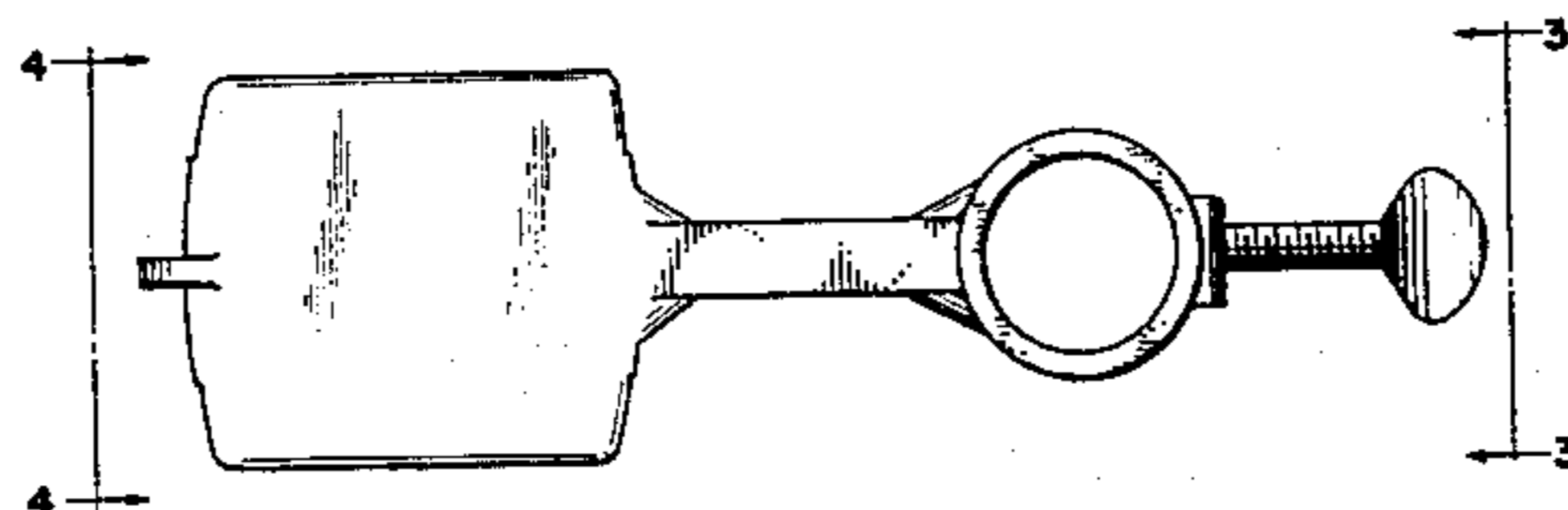
Primary Examiner—Wallace R. Burke
Assistant Examiner—Horace B. Fay
Attorney, Agent, or Firm—John J. Swartz

[57] CLAIM

The ornamental design for a trap holder, as shown and described.

DESCRIPTION

FIG. 1 is a top plan view of a trap holder showing my new design; the bottom plan view being a mirror image thereof;
FIG. 2 is a front elevational view thereof; the side opposite being a mirror image;
FIG. 3 is an end elevational view thereof, taken along the line 3—3 of FIG. 1; and
FIG. 4 is an opposite end elevational view thereof, taken along the line 4—4 of FIG. 1.



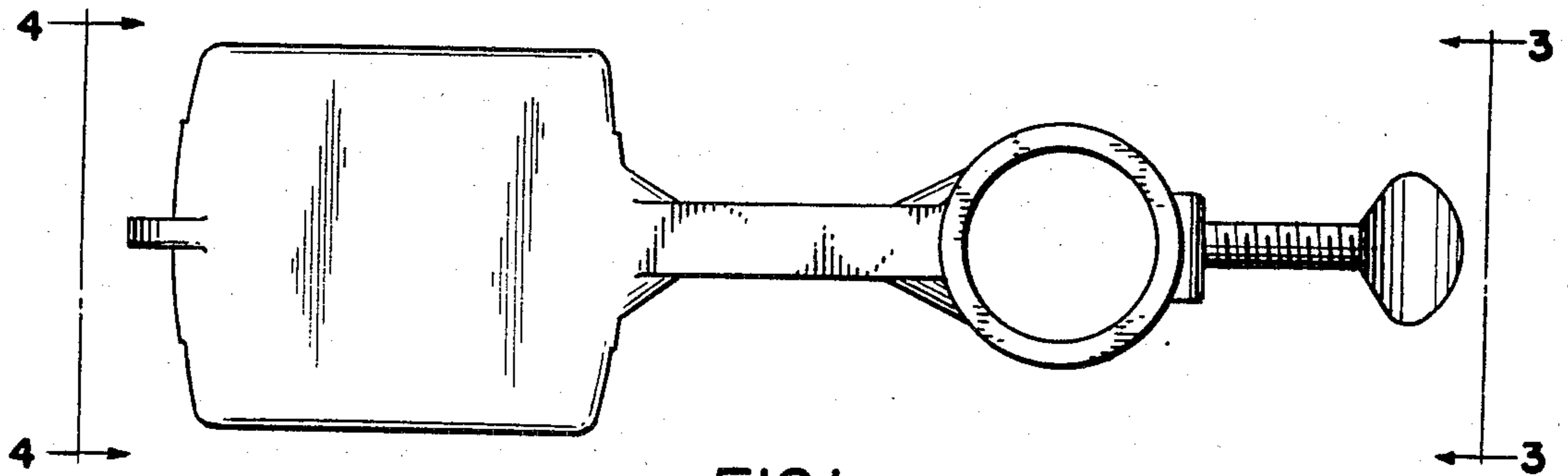


FIG. 1

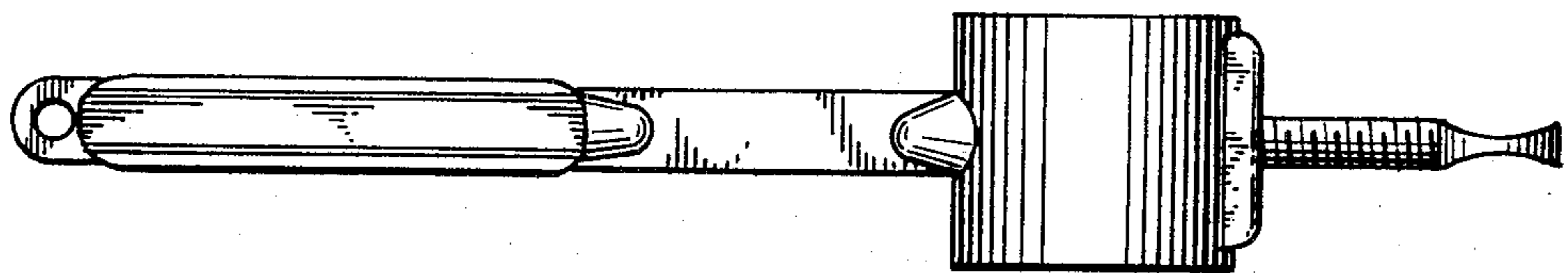


FIG. 2

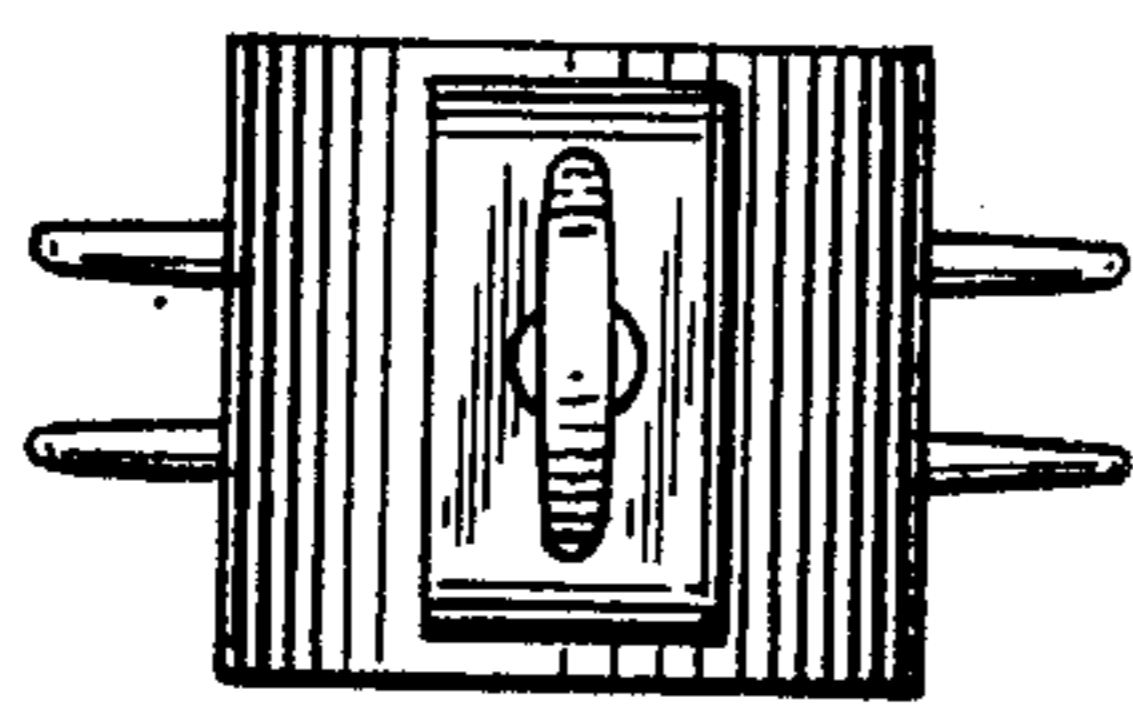


FIG. 3

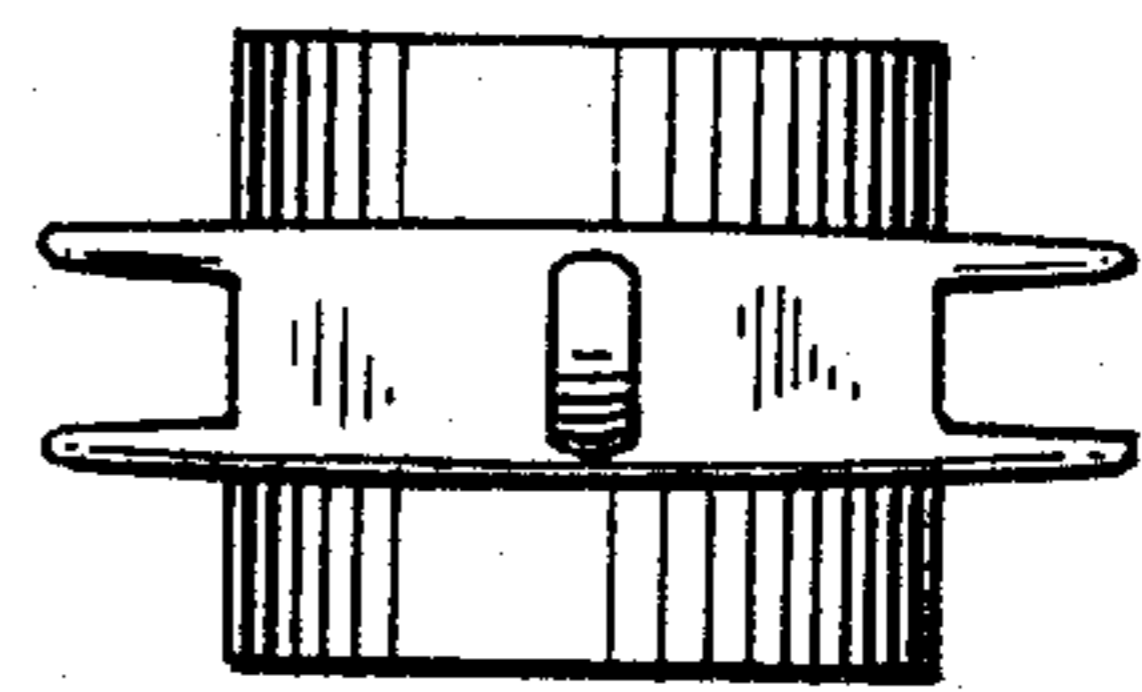


FIG. 4