

[54] PROTECTIVE COVER FOR LOW VOLTAGE EQUIPMENT

[75] Inventor: Arne Larsson, Örebro, Sweden

[73] Assignee: Svagströms Montage HB, Örebro, Sweden

[\*\*] Term: 14 Years

[21] Appl. No.: 591,868

[22] Filed: Mar. 21, 1984

[30] Foreign Application Priority Data

Sep. 26, 1983 [SE] Sweden ..... 83-2467

[52] U.S. Cl. .... D8/353; D13/30

[58] Field of Search ..... D13/40-41, D13/30, 24, 13; 200/293-294, 297, 302.1, 302.2, 333-334; 174/50, 52 R, 53, 58-60, 65 R, 66-67; 361/331-332, 334, 346-347, 350, 356, 380, 390-392, 394; 220/3.2, 3.3, 241-242; D8/350, 353

[56] References Cited

U.S. PATENT DOCUMENTS

D. 221,083	7/1971	Kahn	.....	D13/37
D. 240,235	6/1976	Bunnell	.....	D13/30
D. 257,424	10/1980	Sotolongo	.....	D13/30
D. 261,135	10/1981	Horne	.....	D13/30
D. 262,618	1/1982	Holce et al.	.....	D13/32
D. 280,485	9/1985	M'Sadoques et al.	.....	D13/34
4,558,172	12/1985	Zetena	.....	174/66

Primary Examiner—Wallace R. Burke  
Assistant Examiner—Ruth Takemoto  
Attorney, Agent, or Firm—Lowe Price LeBlanc Becker & Shur

[57] CLAIM

The ornamental design for a protective cover for low voltage equipment, as shown.

DESCRIPTION

FIG. 1 is a front perspective view of a protective cover for low voltage equipment showing my new design; and FIG. 2 is a rear perspective view thereof.

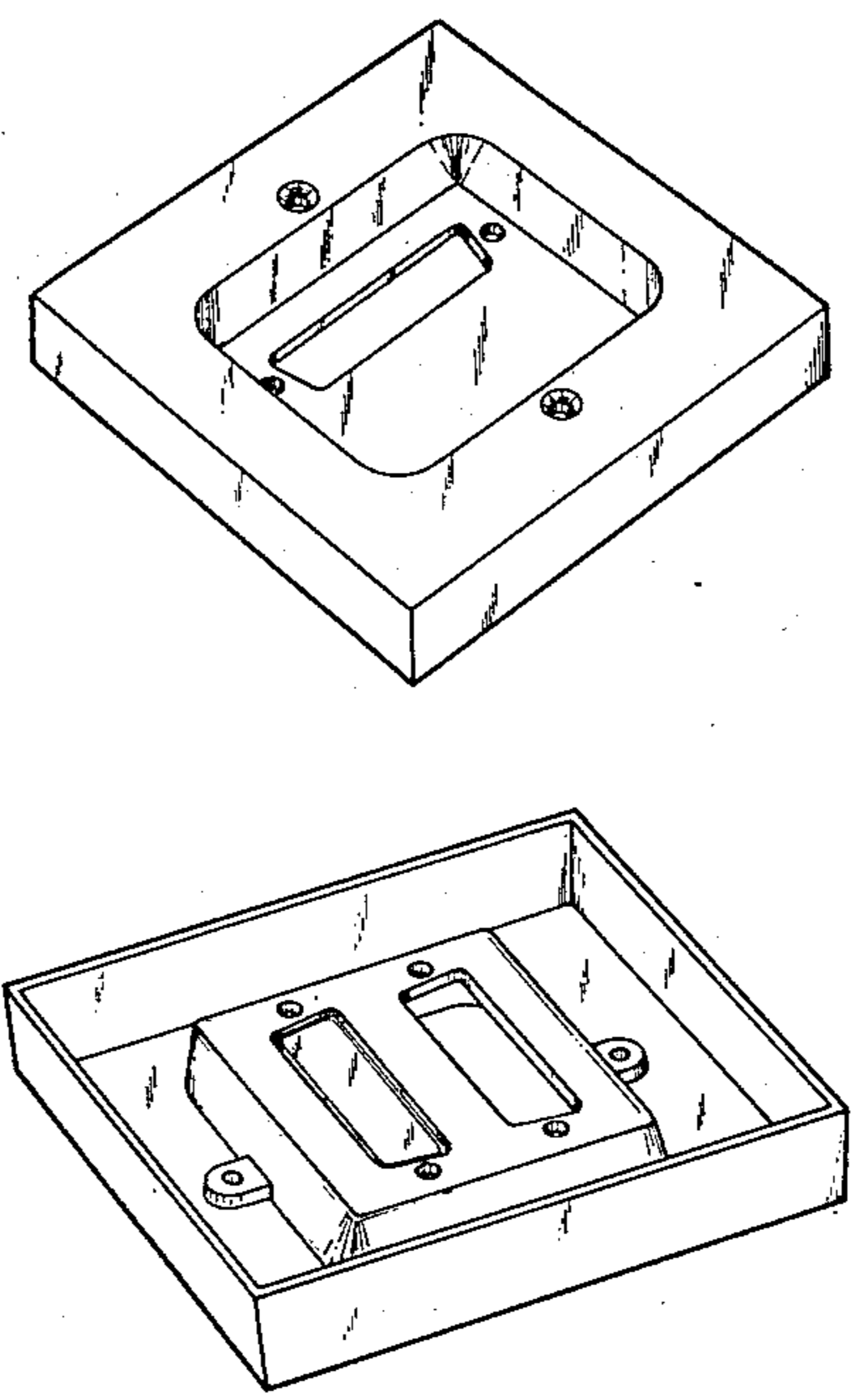


FIG.1

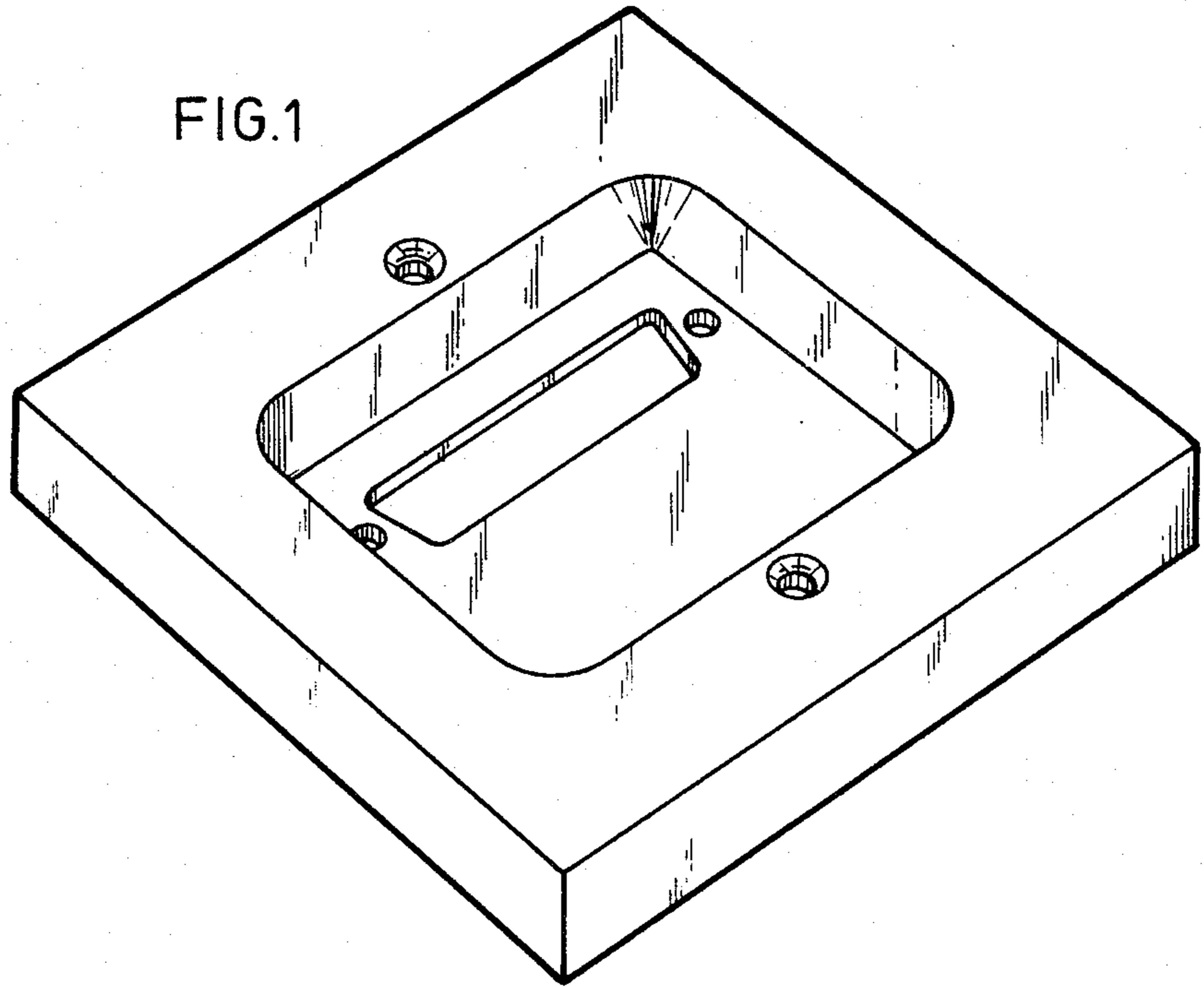


FIG. 2

