

[54] ELECTRIC SANDER

[75] Inventor: Robert I. Somers, Raleigh, N.C.

[73] Assignee: Black & Decker Inc., Newark, Del.

[\*\*] Term: 14 Years

[21] Appl. No.: 633,536

[22] Filed: Jul. 23, 1984

[52] U.S. Cl. .... D8/62

[58] Field of Search ..... D8/61, 62, 90; D15/139, D15/125; 51/170 R, 170 T, 170 TL, 170 EB, 134.5 R, 177, 170 MT

[56] References Cited

U.S. PATENT DOCUMENTS

- D. 272,511 2/1984 Sato et al. .... D8/62
- 2,309,689 2/1943 Ahlskog ..... 51/170 TL
- 2,334,172 11/1943 Champayne ..... 51/170 MT

FOREIGN PATENT DOCUMENTS

- 2645390 4/1977 Fed. Rep. of Germany ... 51/170 TL

OTHER PUBLICATIONS

Black & Decker Gesamtprogram, 1984/85, cover and p. 50 showing an Electric Sander, Model No. SR400.  
 Makita Power Tools Catalog, 1982-A, cover and p. 31

showing Finishing Sanders Model Nos. BO-4510 and BO-4520.

Rockwell Fall 1976 Buyers' Guide, cover (back and front) and p. 23 showing Speed Block Sander, Model 4480.

Black & Decker Power Tools Catalog, Form No. 368, 1964, cover (back and front) and p. 59 showing Palm Grip Sanders, Model No. 4010 and 4008.

Advertising brochure from "Nitto Kohki USA, Inc." No. 154F, Pneumatic Sander Model FS-100B.

Primary Examiner—Susan J. Lucas

Assistant Examiner—C. E. Heflin

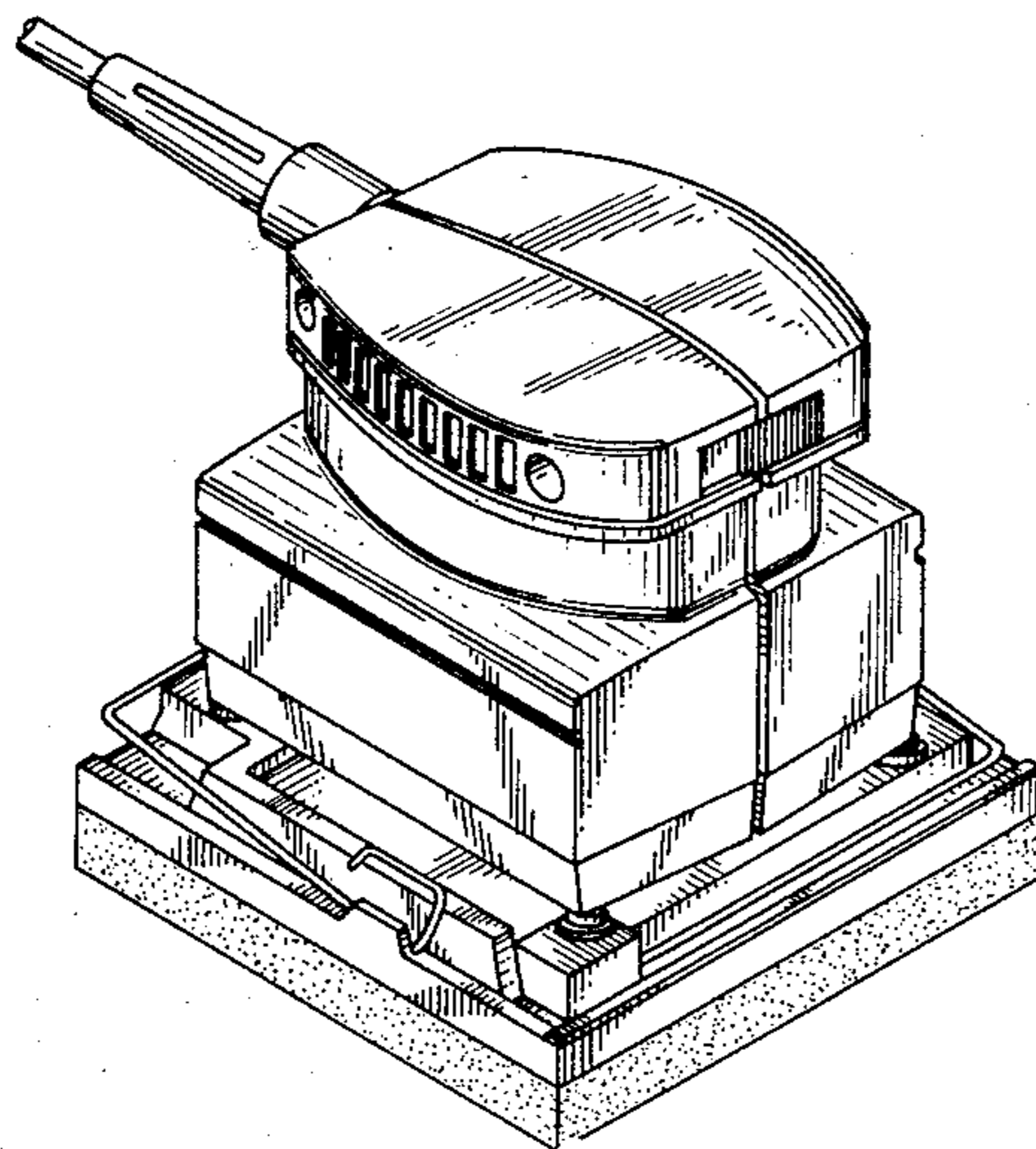
Attorney, Agent, or Firm—Finnegan, Henderson, Farabow, Garrett & Dunner

[57] CLAIM

The ornamental design of an electric sander, as shown and described.

DESCRIPTION

FIG. 1 is a right side elevational view of an electric sander showing my new design;  
 FIG. 2 is a left side elevational view thereof;  
 FIG. 3 is an end elevational view thereof;  
 FIG. 4 is an opposite end elevational view thereof;  
 FIG. 5 is a top plan view thereof;  
 FIG. 6 is a bottom plan view thereof; and  
 FIG. 7 is a perspective view thereof.



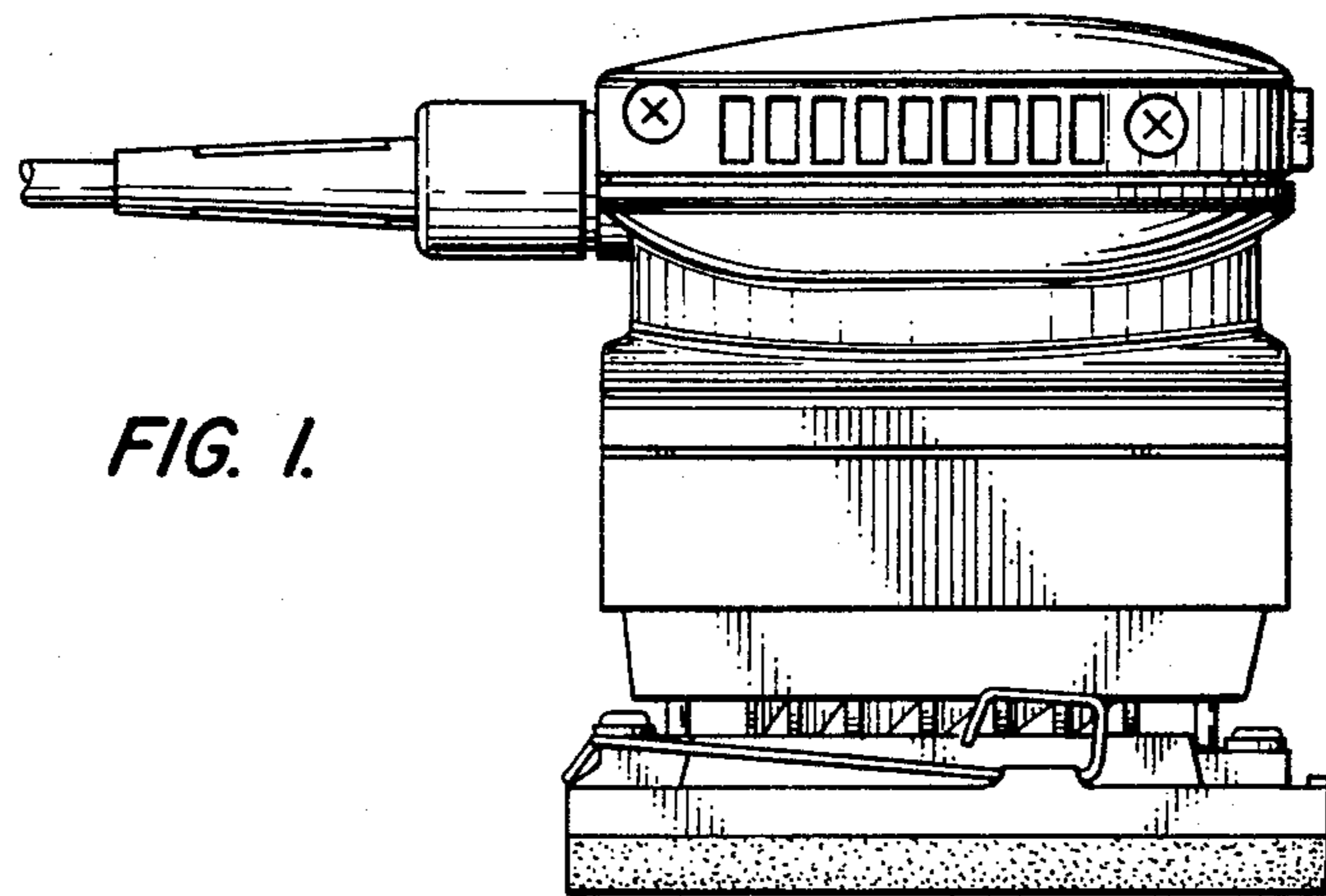


FIG. 1.

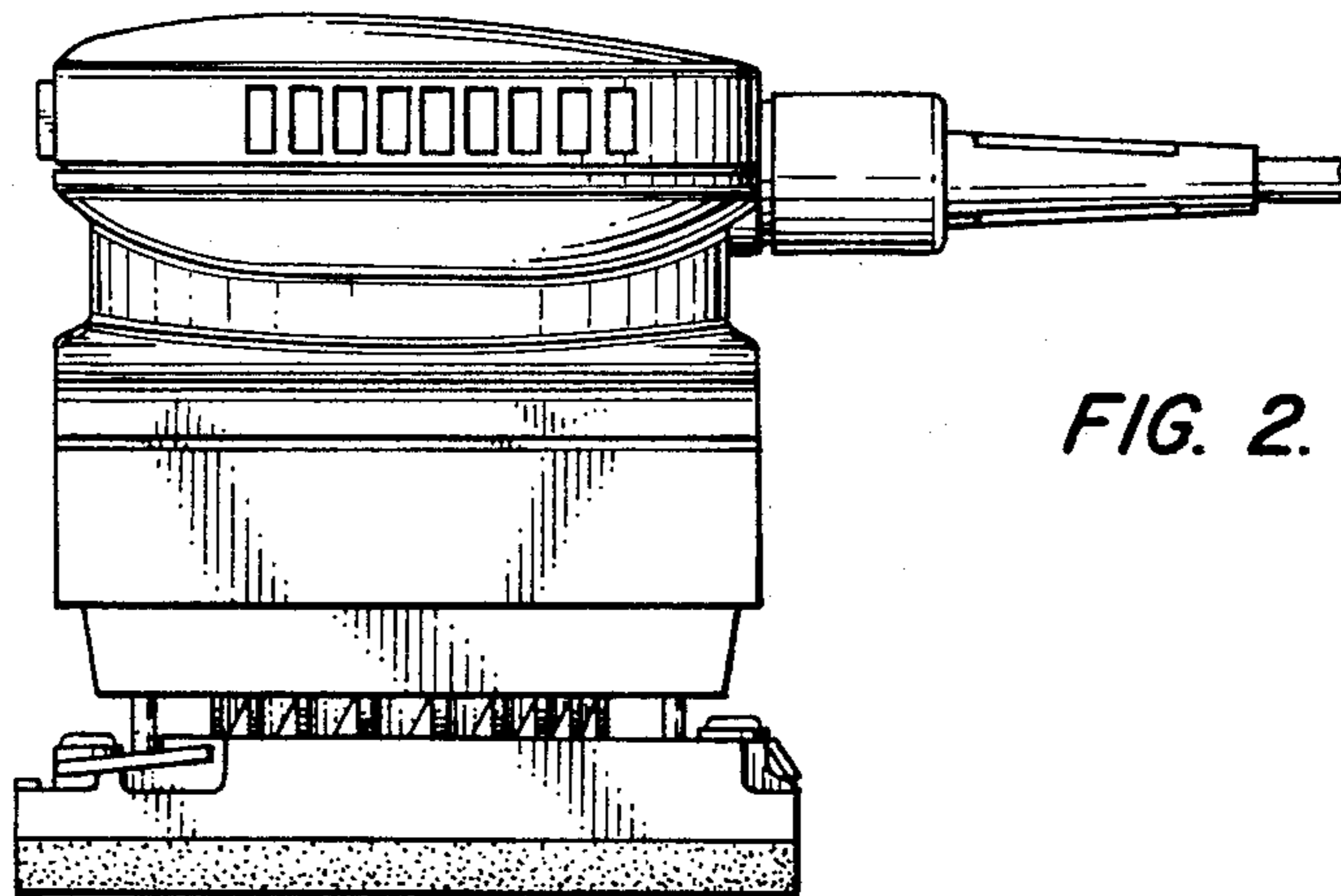


FIG. 2.

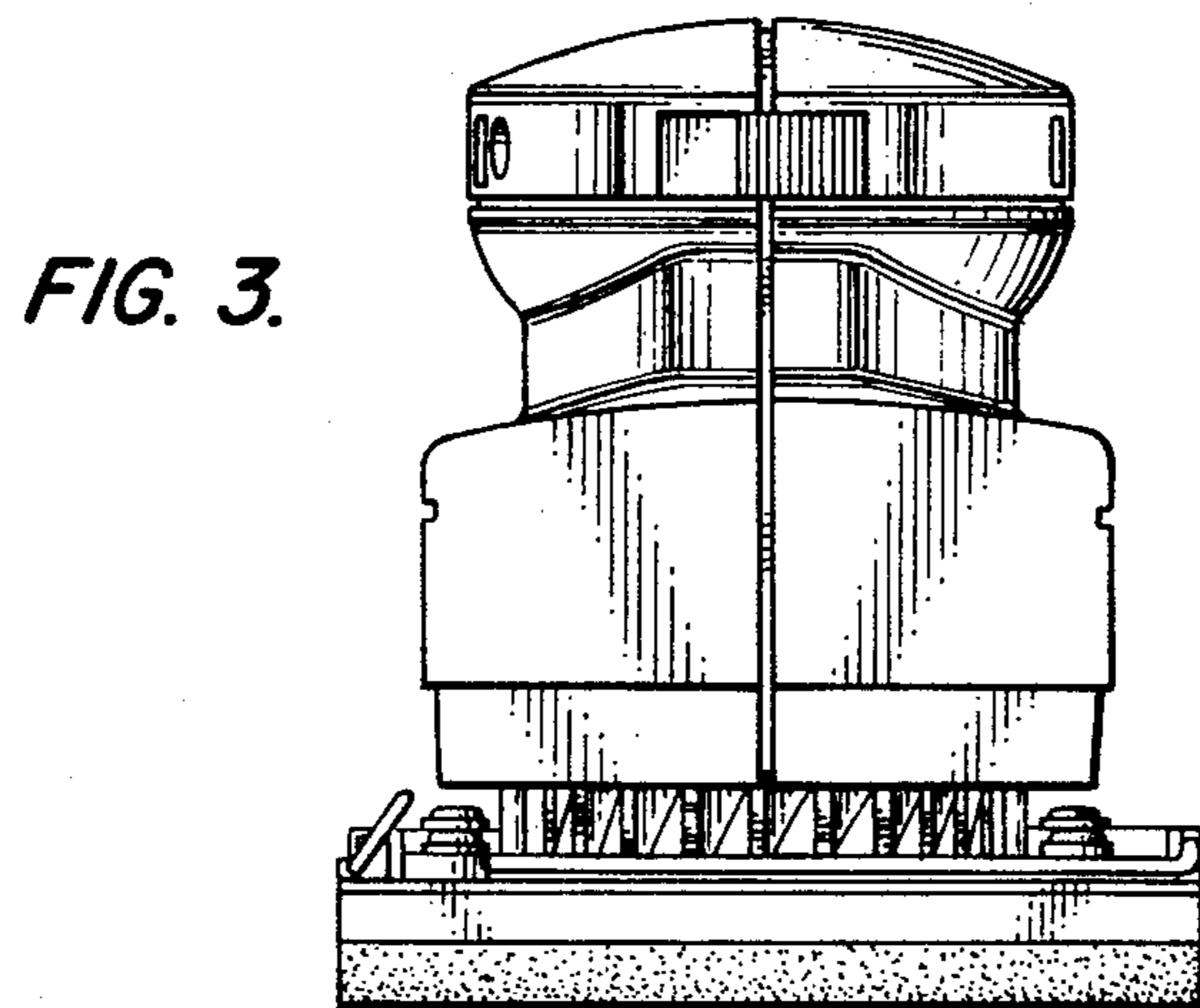


FIG. 3.

FIG. 4.

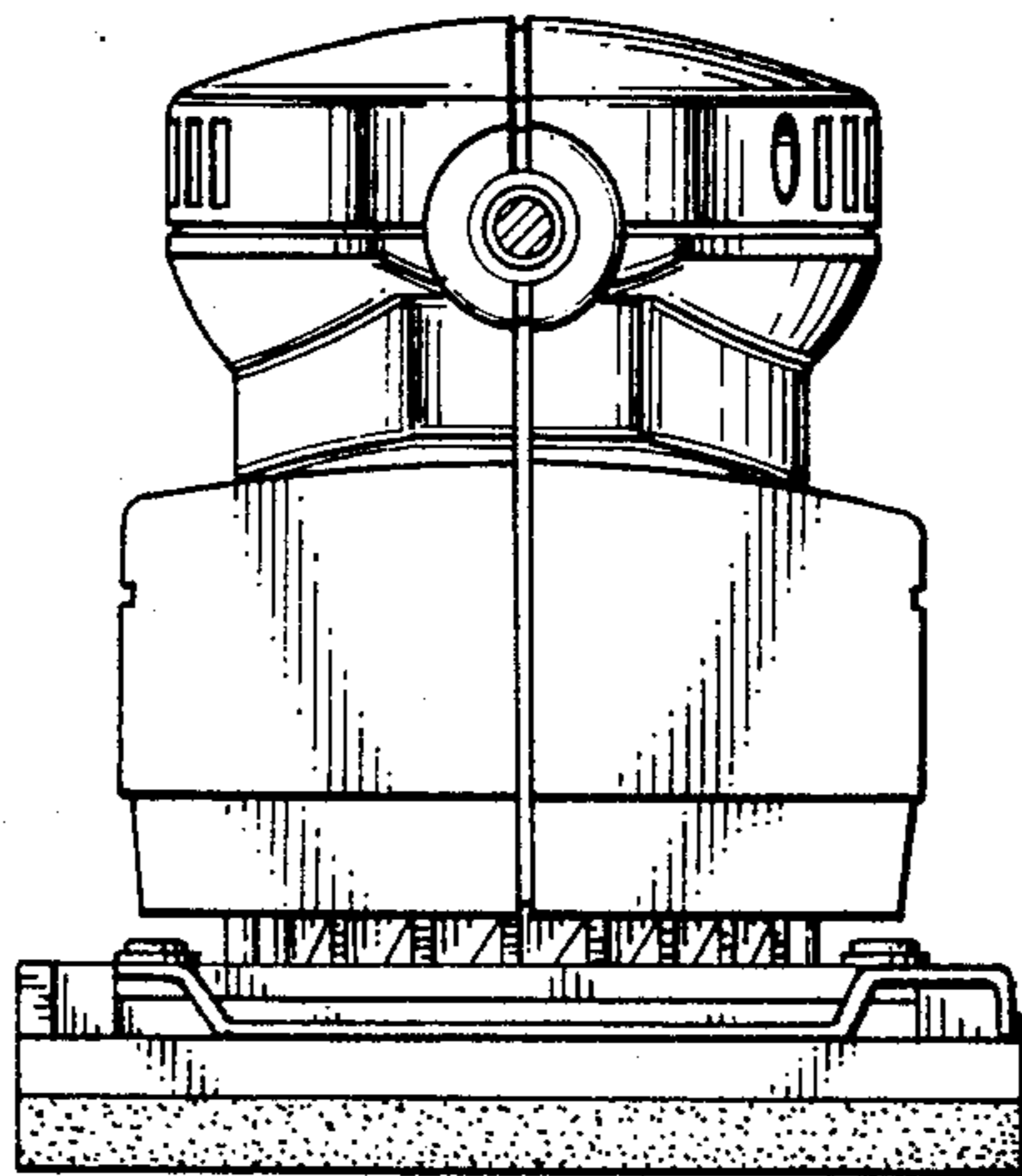


FIG. 5.

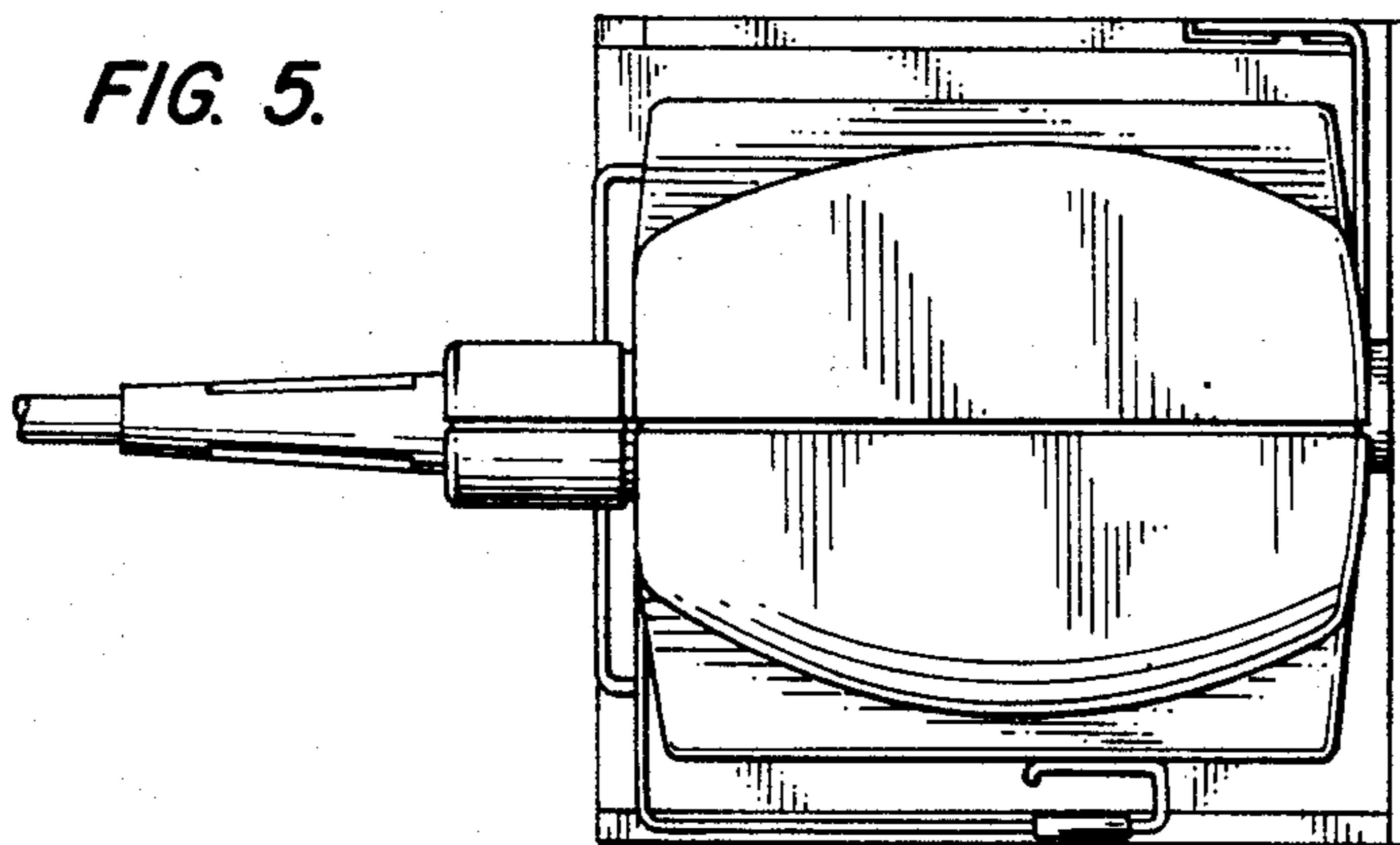


FIG. 6.

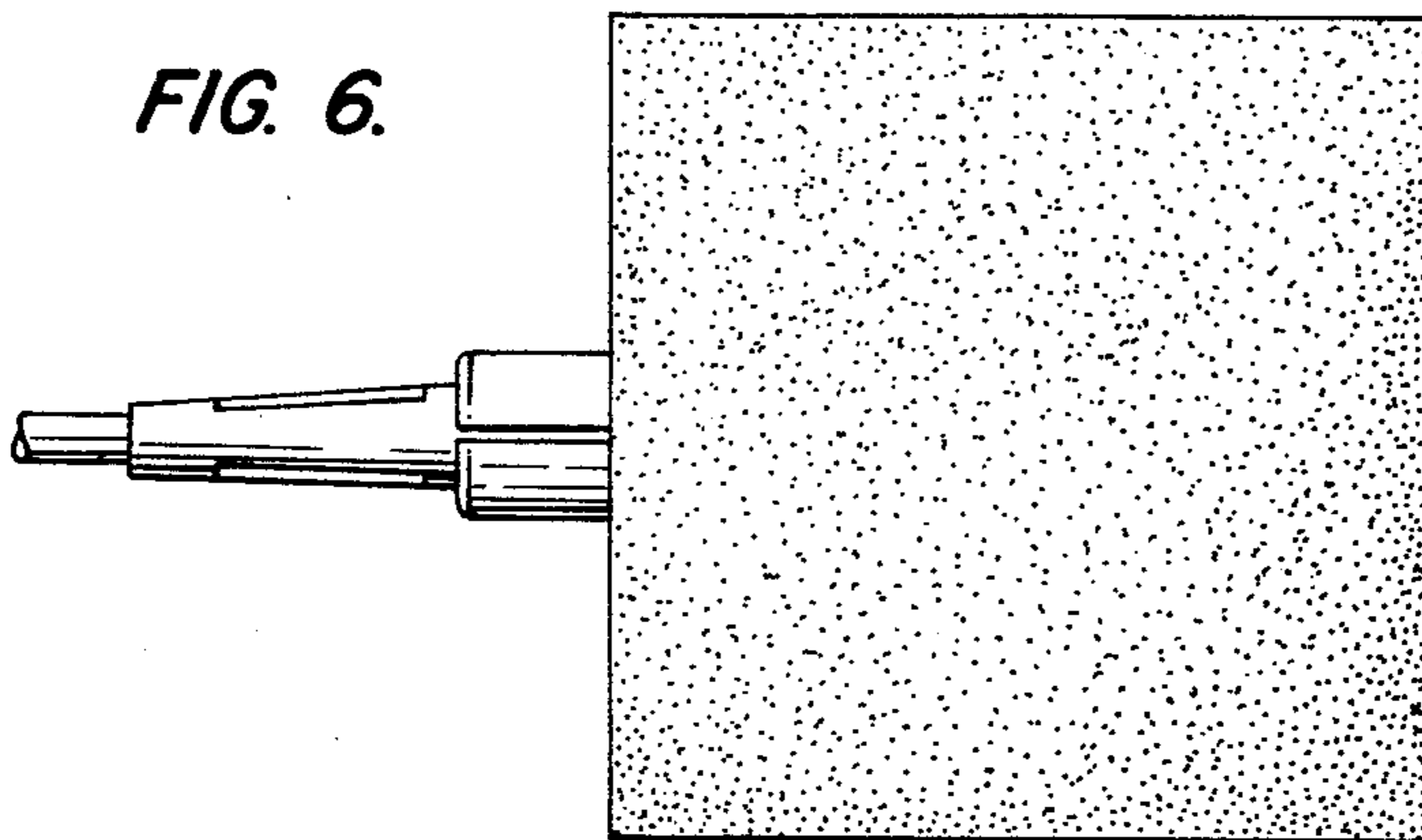


FIG. 7

