

[54] STAPLER

[75] Inventor: Yoshiyuki Ebihara, Tokyo, Japan

[73] Assignee: Etona Co., Ltd., Tokyo, Japan

[**] Term: 14 Years

[21] Appl. No.: 585,345

[22] Filed: Feb. 29, 1984

[52] U.S. Cl. D8/50; D19/72

[58] Field of Search D8/49, 50; 227/128,
227/120, 132; D19/72

[56] References Cited

U.S. PATENT DOCUMENTS

- D. 173,958 2/1955 Marano D8/50
- D. 233,306 10/1974 Power D8/50
- D. 275,259 8/1984 Rosenblad D8/50

D. 277,928 3/1985 Suzuki D8/50

Primary Examiner—George P. Word
Attorney, Agent, or Firm—Wenderoth, Lind & Ponack

[57] CLAIM

The ornamental design for a stapler, as shown and described.

DESCRIPTION

FIG. 1 is a perspective view of a stapler showing my new design;

FIG. 2 is a left side elevational view thereof;

FIG. 3 is a front elevational view thereof;

FIG. 4 is a rear elevational view thereof; and

FIG. 5 is a top plan view thereof.

The right side elevational view is a mirror image of that shown in FIG. 2. The bottom of the stapler is plain and unornamented.

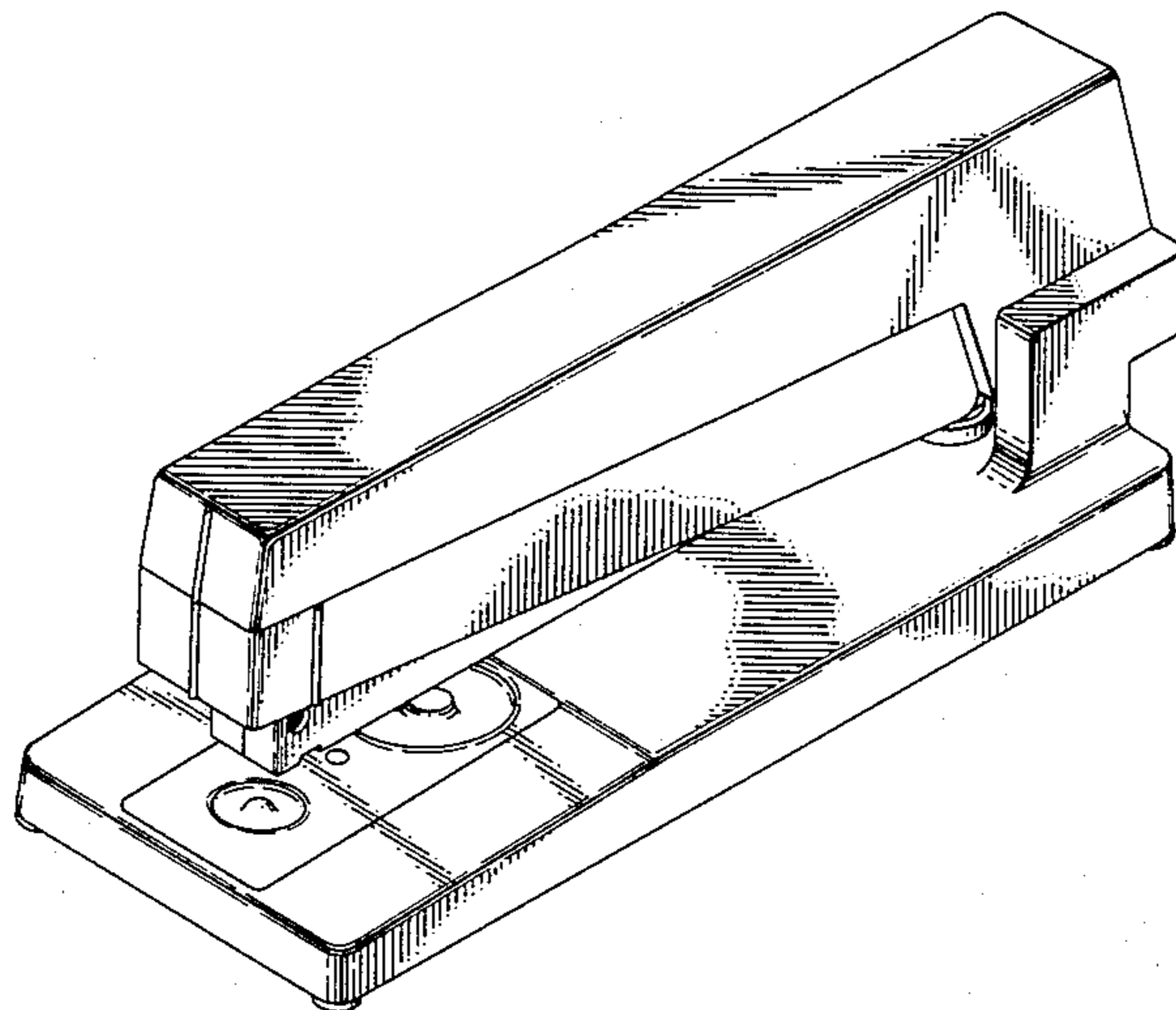


FIG. 1.

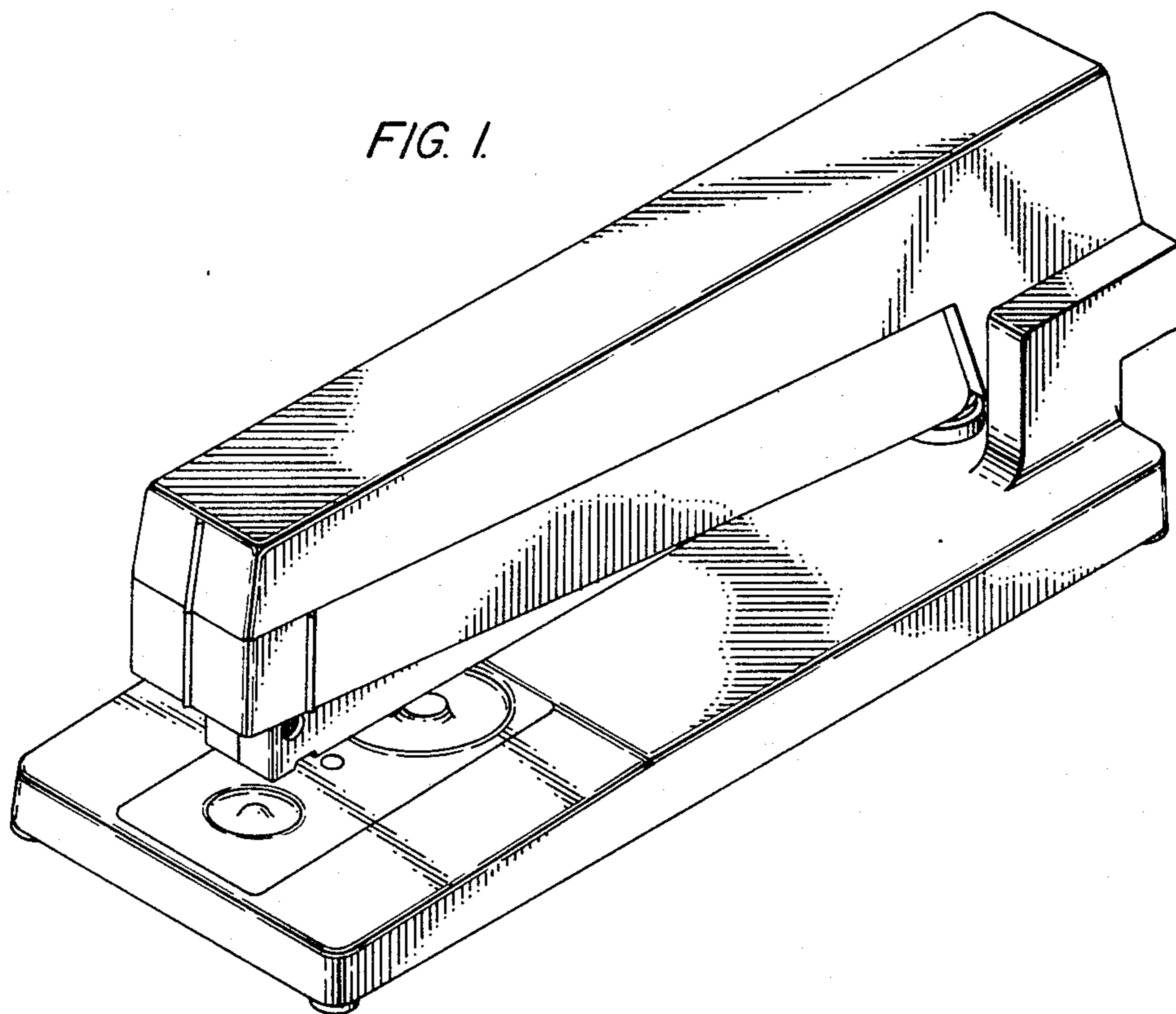


FIG. 2.

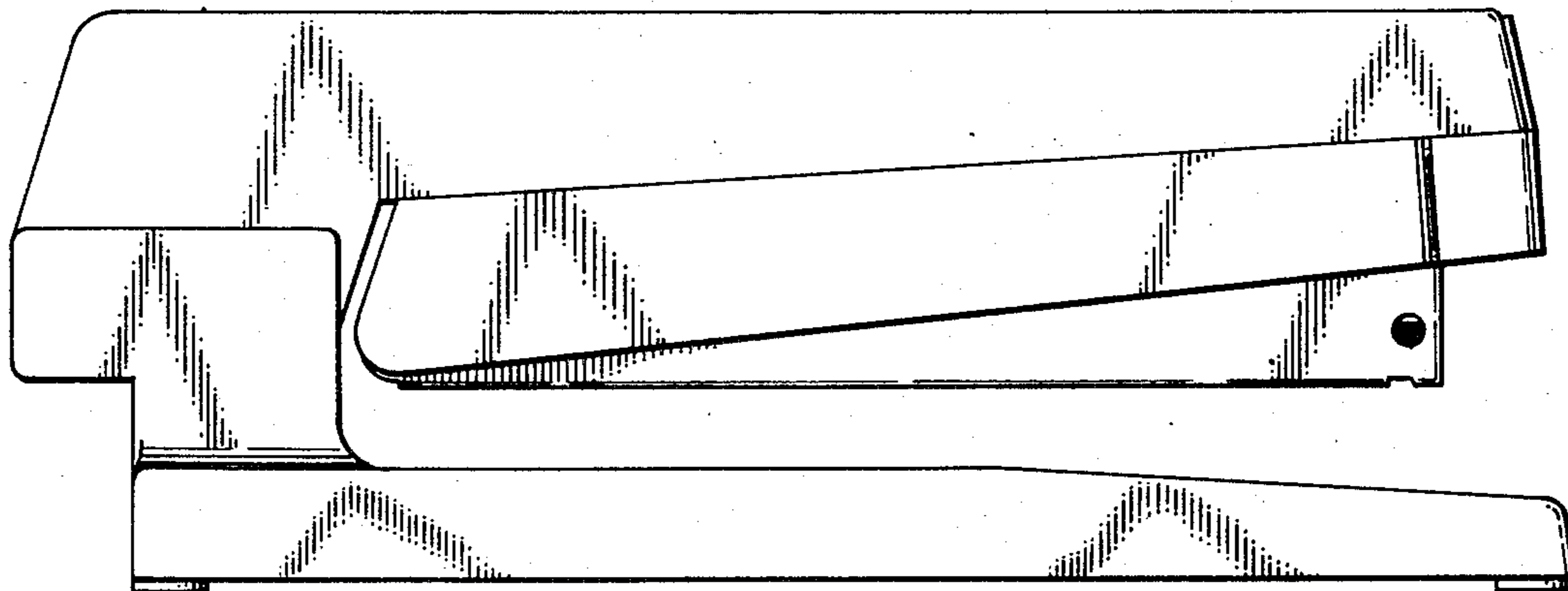


FIG. 3.

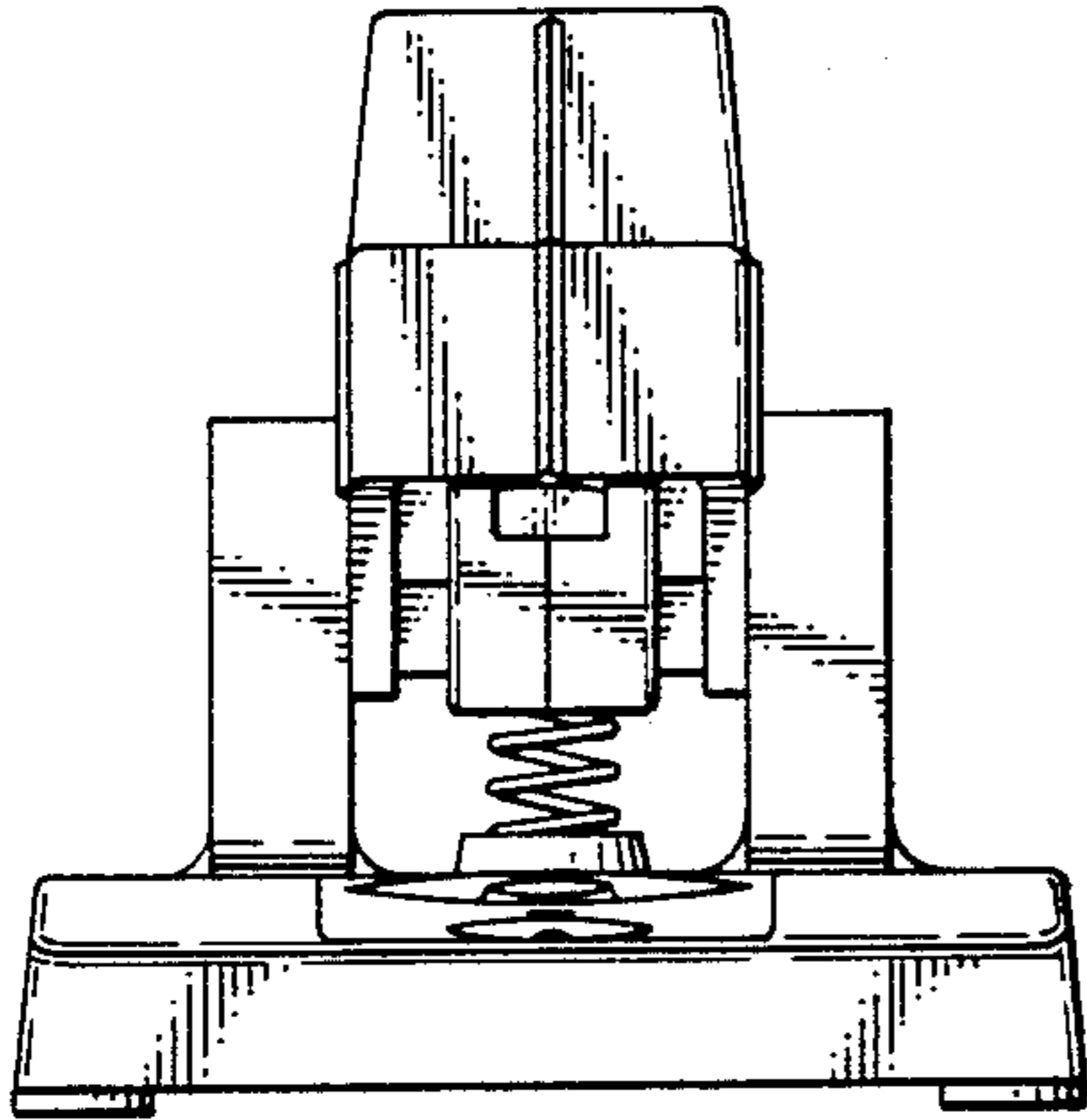


FIG. 4.

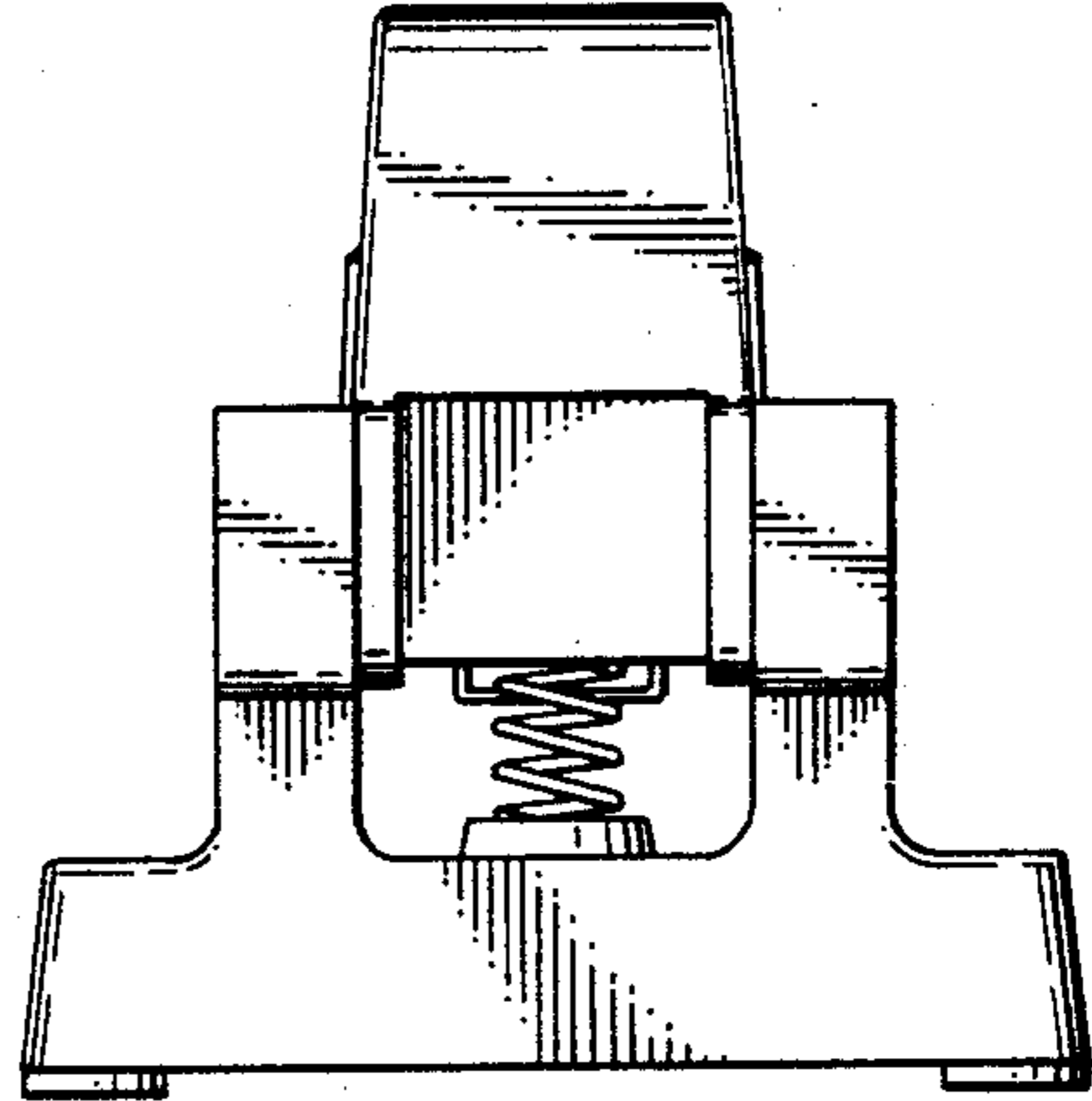


FIG. 5.

