

- [54] **COMBINED PROOFING AND DOUGH RAISING TRAY**
- [76] Inventor: **William R. Dahlke, 5351 Chippendale Cir., Fort Myers, Fla. 33907**
- [\*\*] Term: **14 Years**
- [21] Appl. No.: **572,393**
- [22] Filed: **Jan. 20, 1984**
- [52] U.S. Cl. .... **D7/357**
- [58] Field of Search ..... **D7/357, 338, 402, 409; D23/77, 166, 167; 198/714, 713; 220/23.8, 23.2, 21; 249/112, 119, 134, 135, 137, 139; 426/503, 496**

- 3,287,807 11/1966 Menke ..... 249/135 X
- 3,807,057 4/1974 Noel ..... 220/23.2 X
- 4,205,091 5/1980 van Horne ..... 426/144 X
- 4,334,665 6/1982 Noel ..... 249/134
- 4,395,427 7/1983 Fischer et al. .... 426/503 X

*Primary Examiner*—Bernard Ansher  
*Assistant Examiner*—Linda Titolo  
*Attorney, Agent, or Firm*—Sturm & Baker, Ltd.

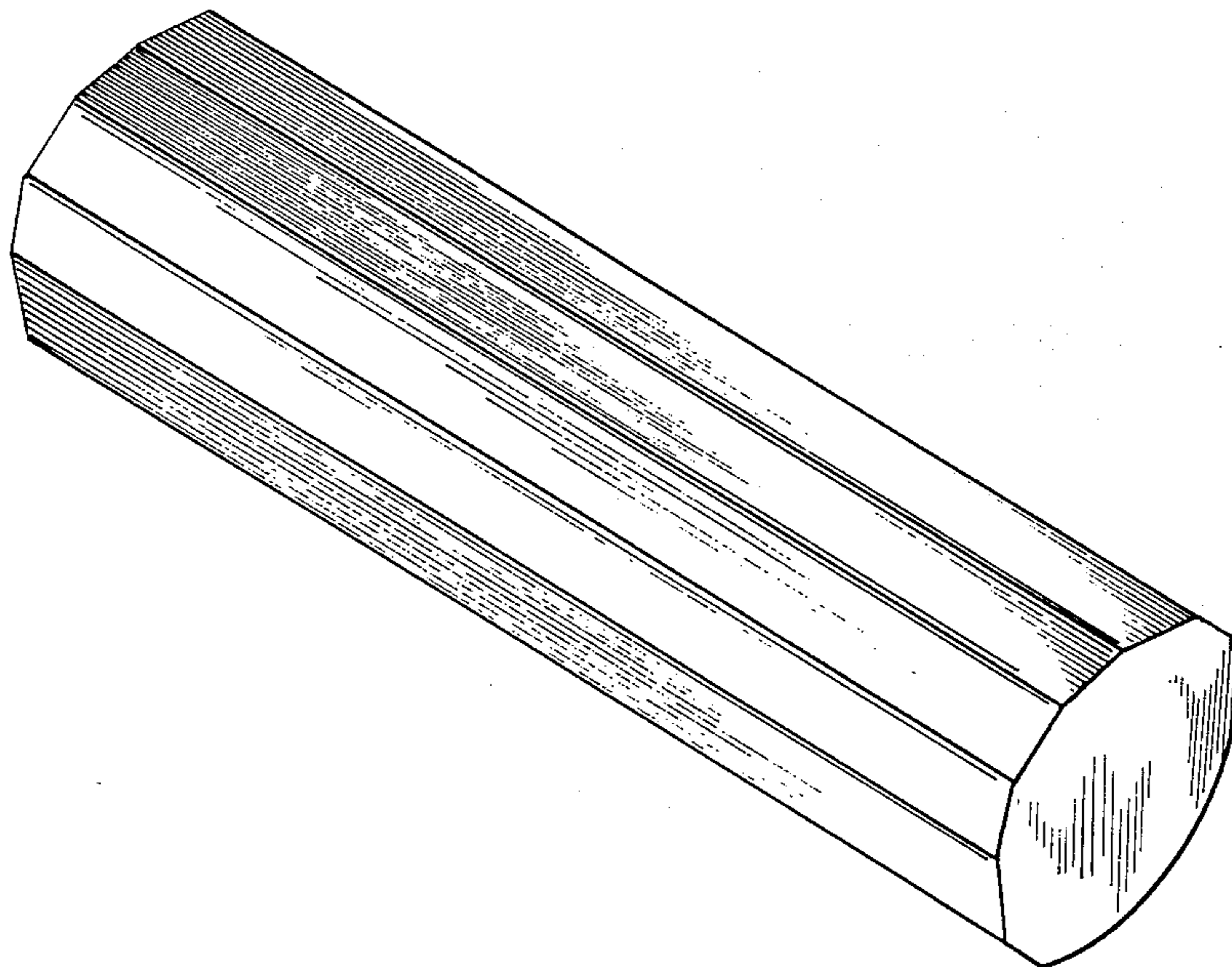
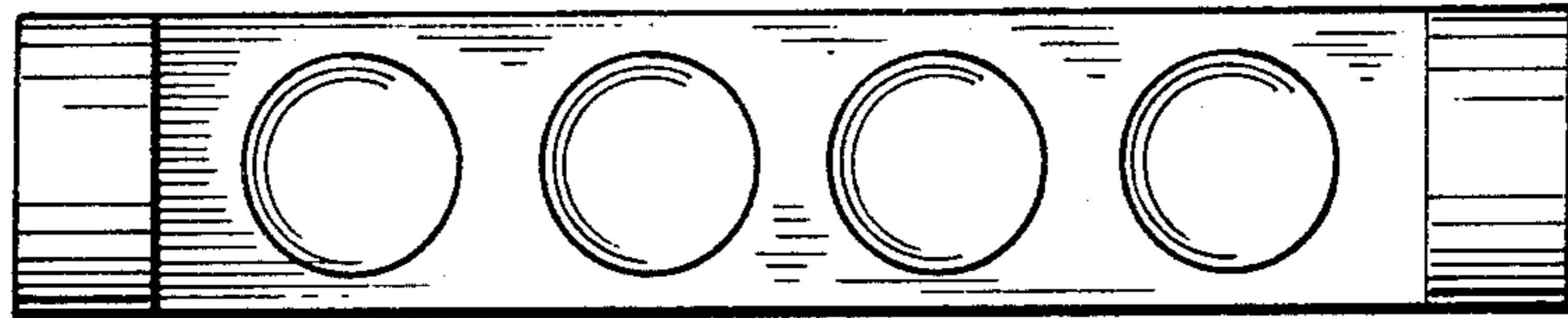
[57] **CLAIM**

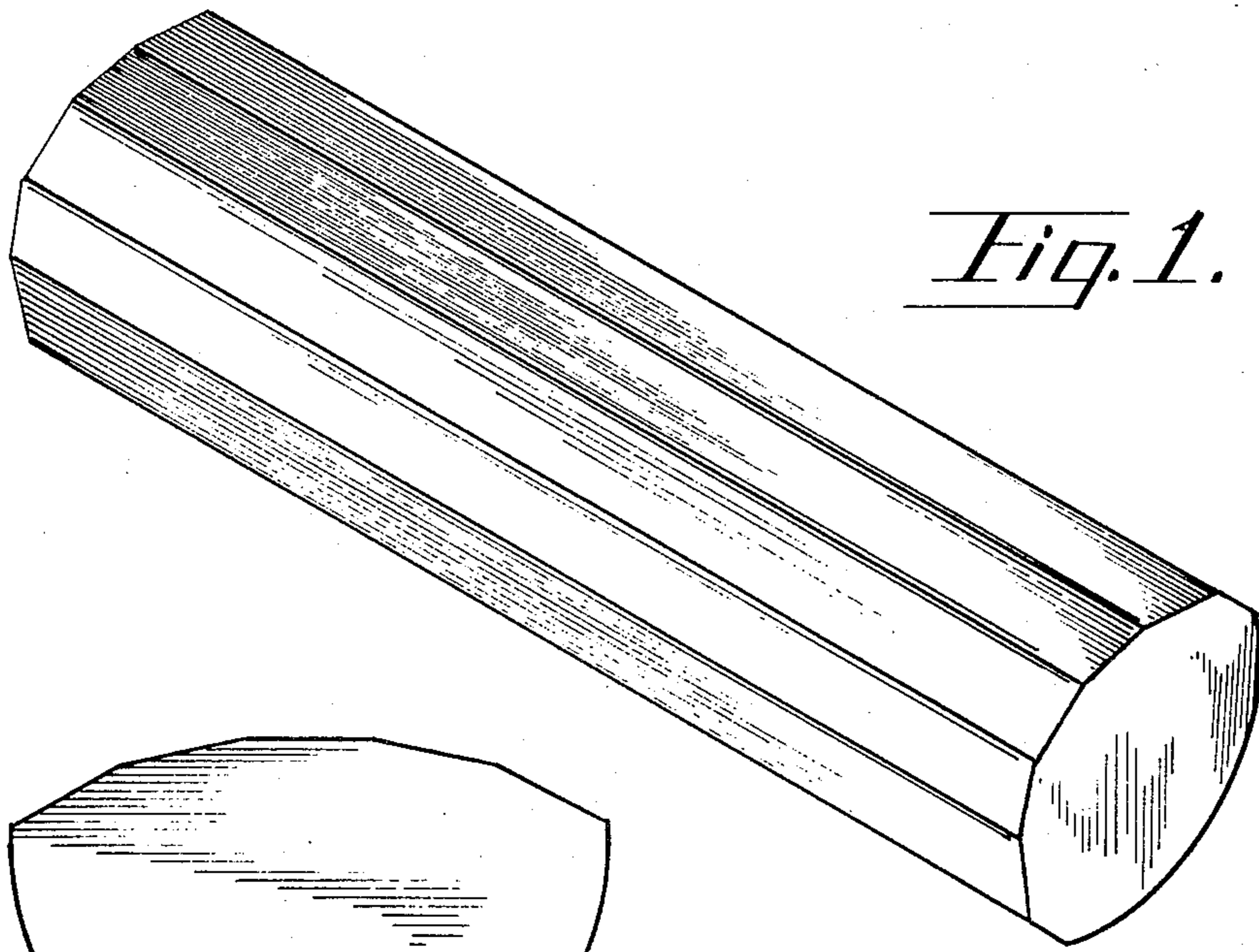
The ornamental design for a combined proofing and dough raising tray, as shown and described.

**DESCRIPTION**

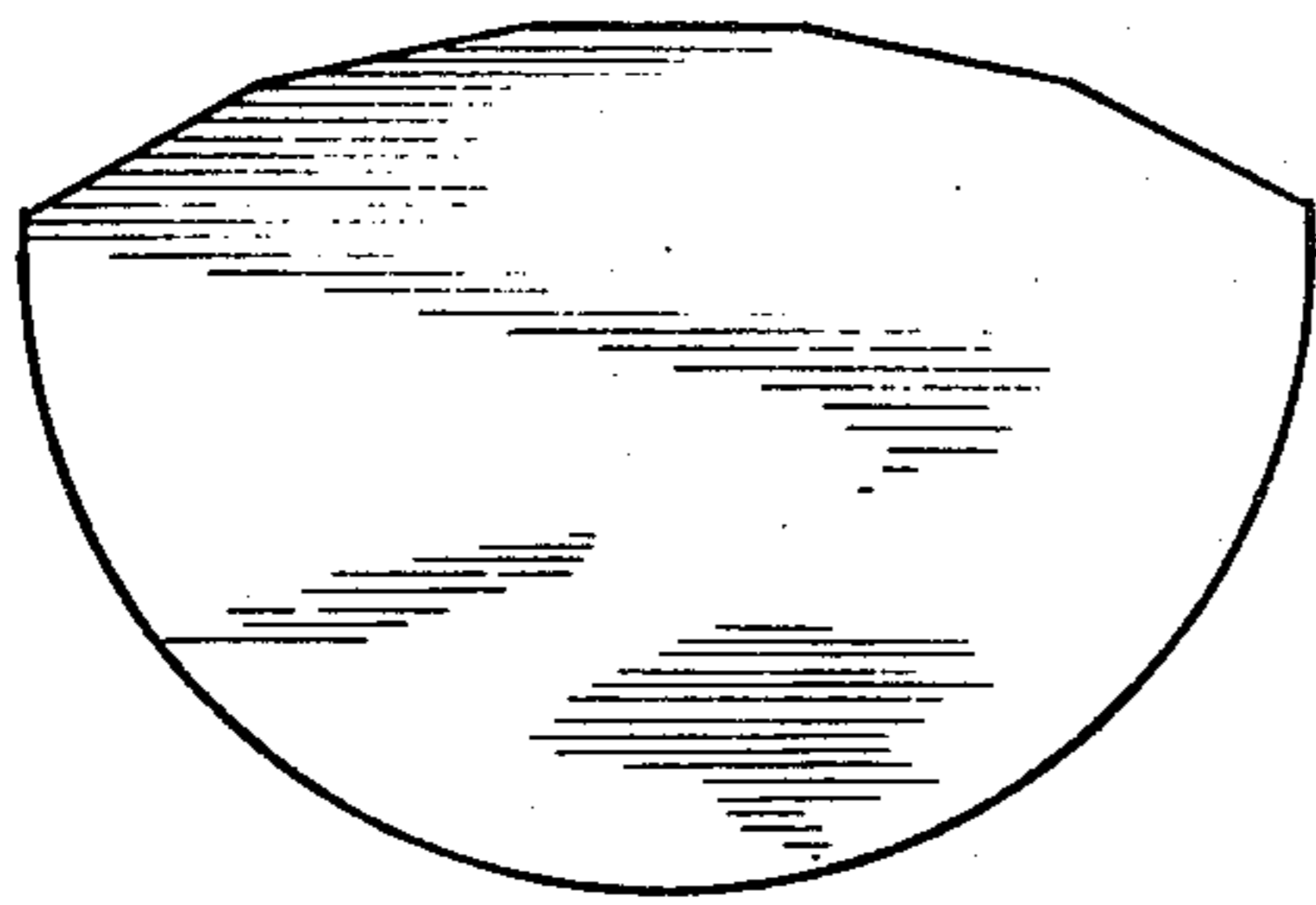
FIG. 1 is a bottom right perspective view of a combined proofing and dough raising tray, showing my new design;  
 FIG. 2 is a bottom left perspective view thereof;  
 FIG. 3 is an end elevational view thereof, the opposite end being a mirror image thereof;  
 FIG. 4 is a top plan view thereof;  
 FIG. 5 is a bottom plan view thereof; and  
 FIG. 6 is a side elevational view thereof, the opposite side being a mirror image thereof.

- [56] **References Cited**
- U.S. PATENT DOCUMENTS**
- D. 51,881 3/1918 Evans ..... 220/23.8 X
- 1,712,211 5/1929 Hanson et al. .... 198/714
- 1,986,950 1/1935 Vandegrift ..... 198/714 X
- 2,158,911 5/1939 Pellar ..... 220/23.2
- 2,291,672 8/1942 Youngberg ..... 249/119
- 3,146,730 9/1964 White ..... 426/496 X

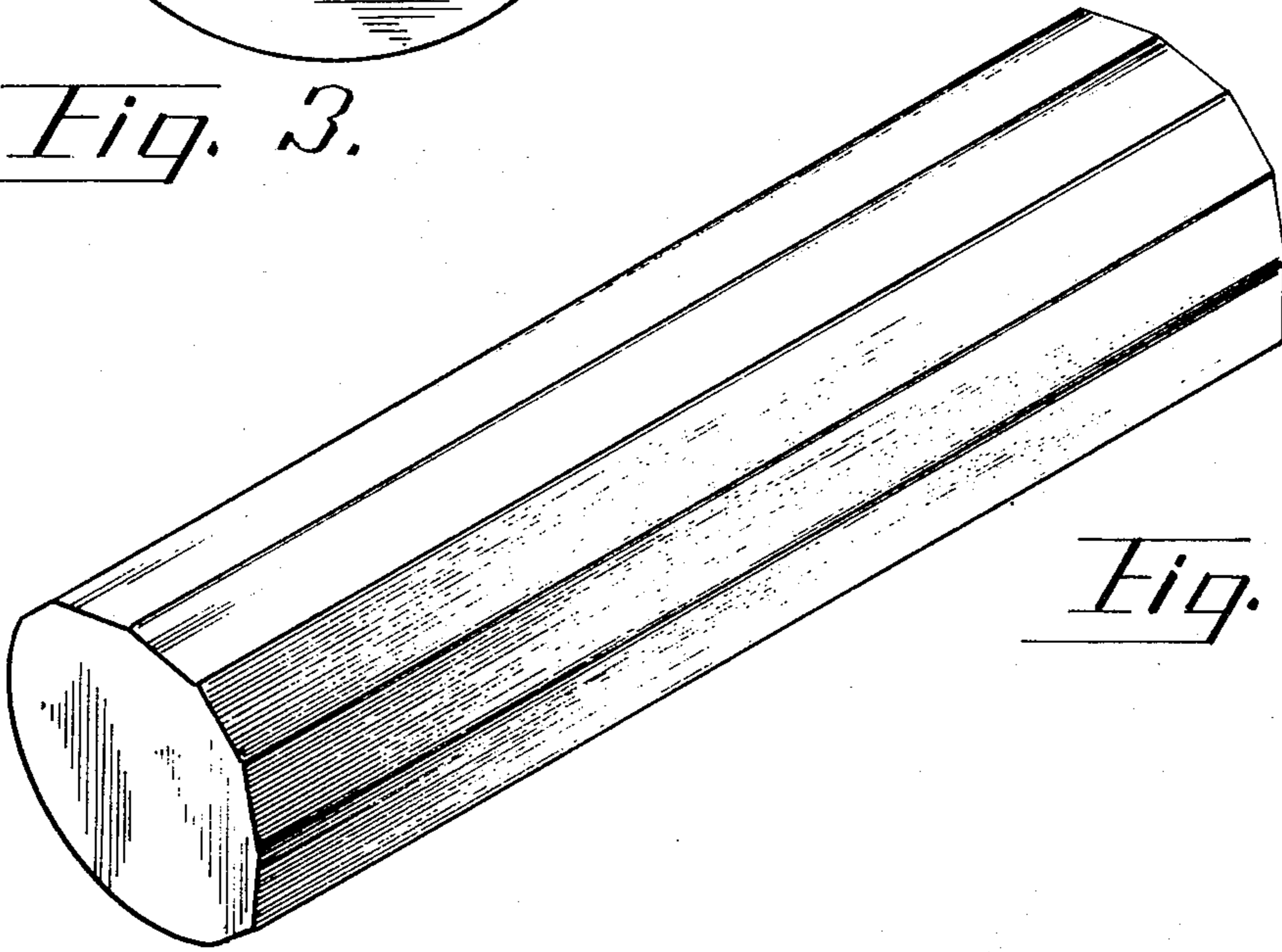




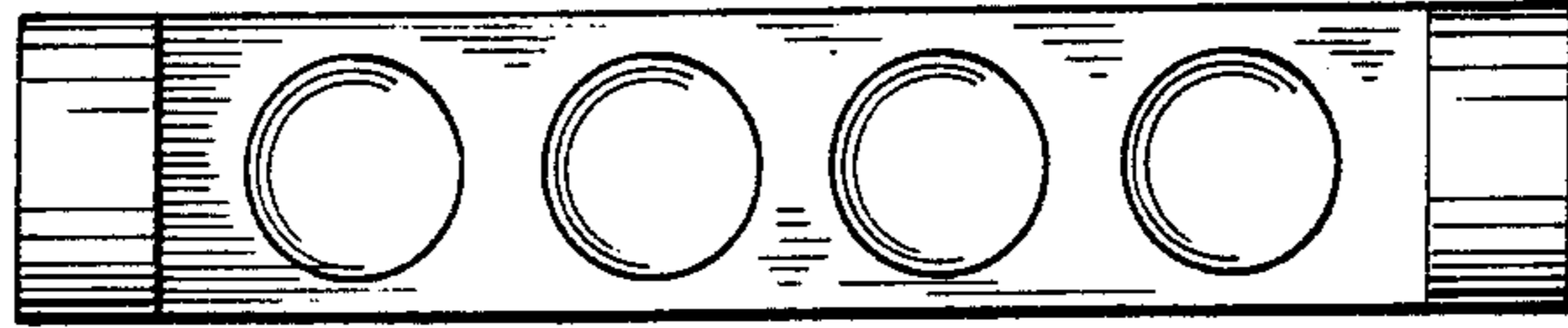
*Fig. 1.*



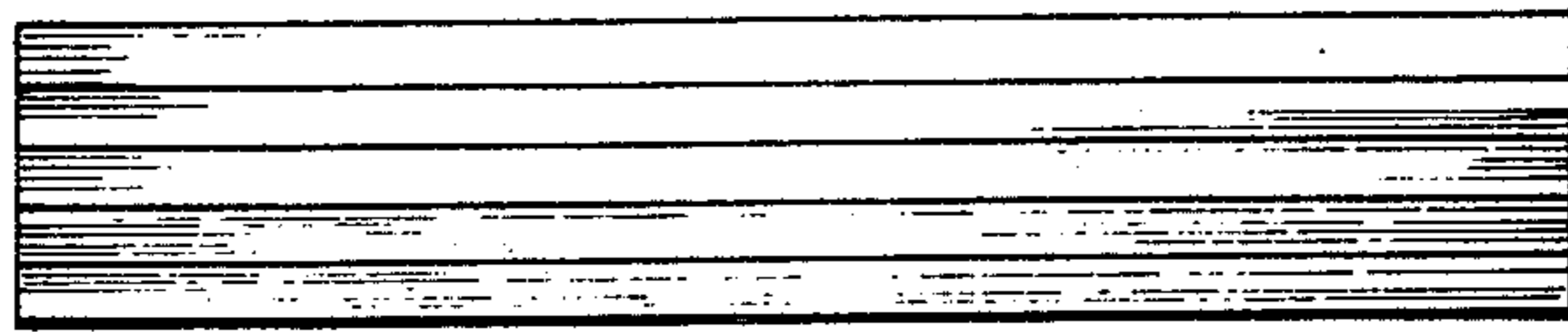
*Fig. 3.*



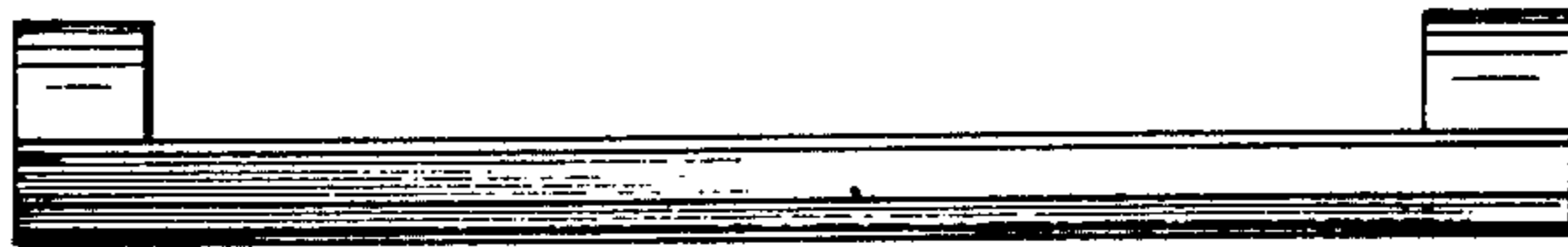
*Fig. 2.*



*Fig. 4.*



*Fig. 5.*



*Fig. 6.*