

[54] DRINKING MUG

[75] Inventor: Young K. Whang, Seoul, Rep. of Korea

[73] Assignee: Frank Strafella, Powell, Ohio

[**] Term: 14 Years

[21] Appl. No.: 490,836

[22] Filed: May 2, 1983

[30] Foreign Application Priority Data

Nov. 15, 1982 [KR]	Rep. of Korea	10122
[52] U.S. Cl.		D7/9
[58] Field of Search		D7/9, 10, 7, 3

[56] References Cited

U.S. PATENT DOCUMENTS

D. 228,273 9/1973 Refsgaard D7/9

OTHER PUBLICATIONS

Hall China Company catalog—Service China, p. 3, top row, #1316 Coffee Mug—center col.
HFD—Retailing Home Furnishings, 2-9-81, p. 31, top right of page, Vandor Heart Mug.
Country Gourmet, vol. 52, p. 6, Loving Cup with Double Heart Handle, right col. #576.

Primary Examiner—Winifred E. Herrmann
Attorney, Agent, or Firm—Frank H. Foster

[57] CLAIM

The ornamental design for a drinking mug, as shown.

DESCRIPTION

FIG. 1 is a bottom front perspective view of a drinking mug showing my new design;
 FIG. 2 is a top rear perspective view thereof;
 FIG. 3 is a bottom rear perspective view thereof;
 FIG. 4 is a top front perspective view thereof;
 FIG. 5 is a right side elevational view of FIG. 4; and,
 FIG. 6 is a top plan view thereof.

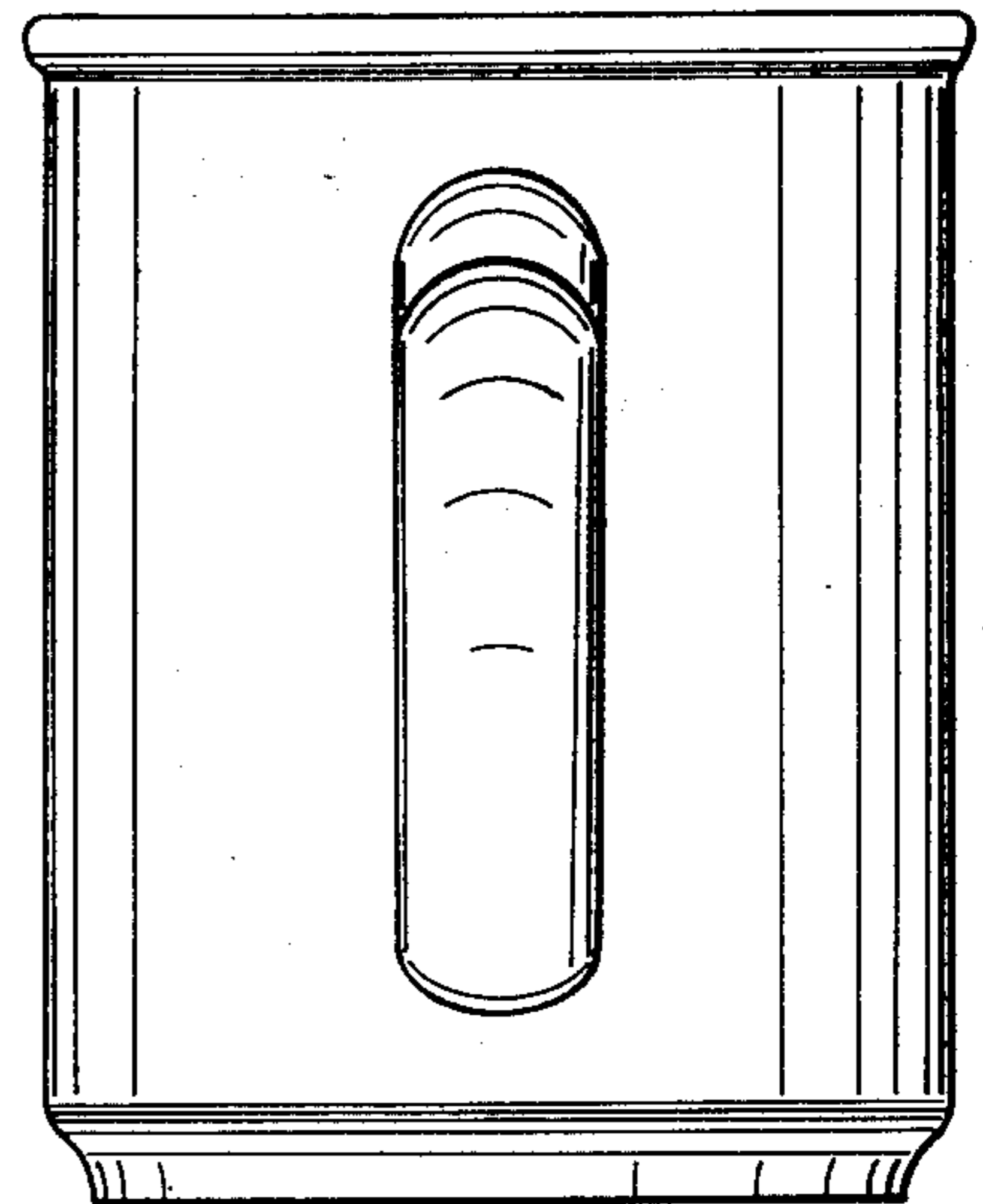
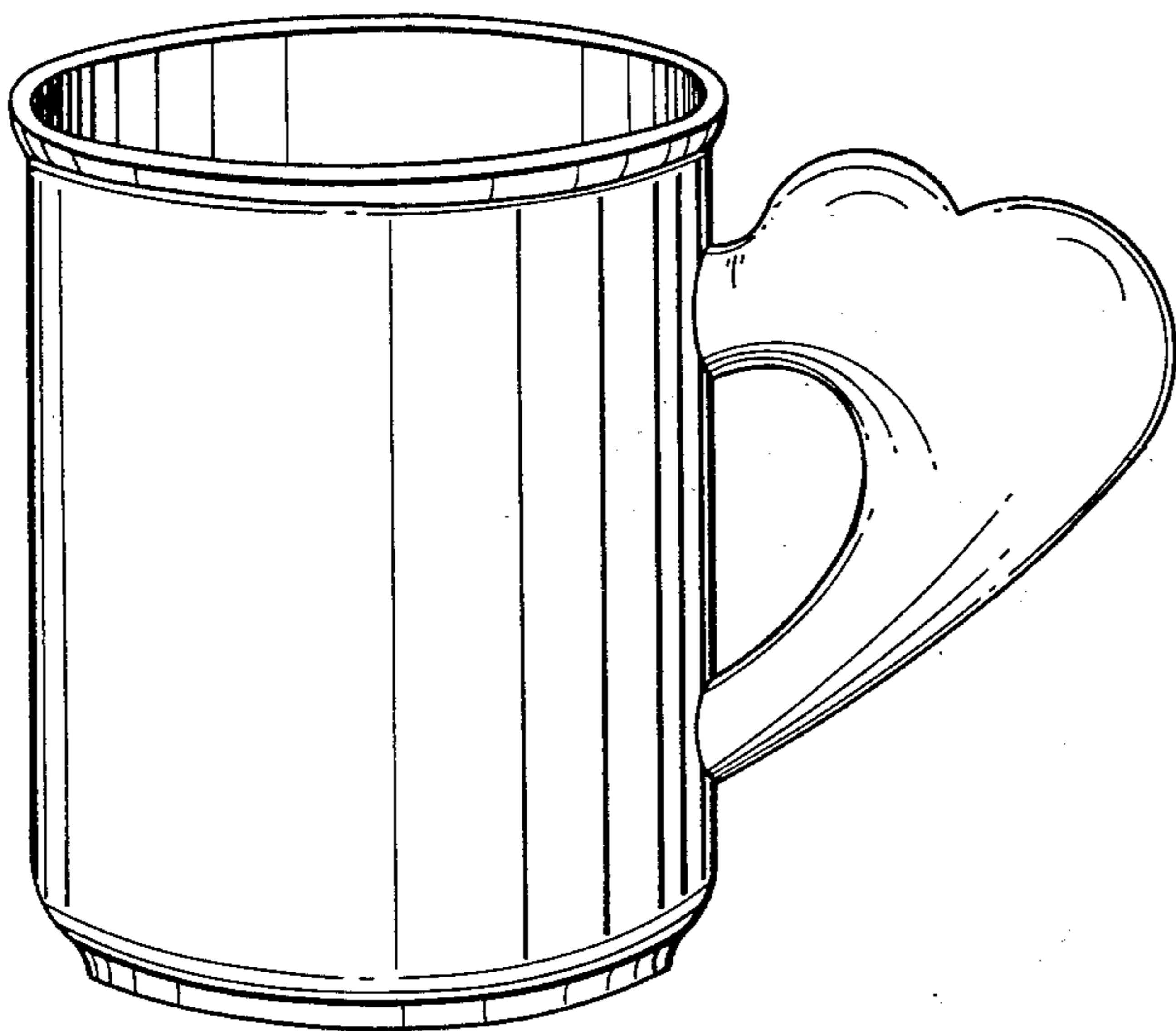


FIG. 1

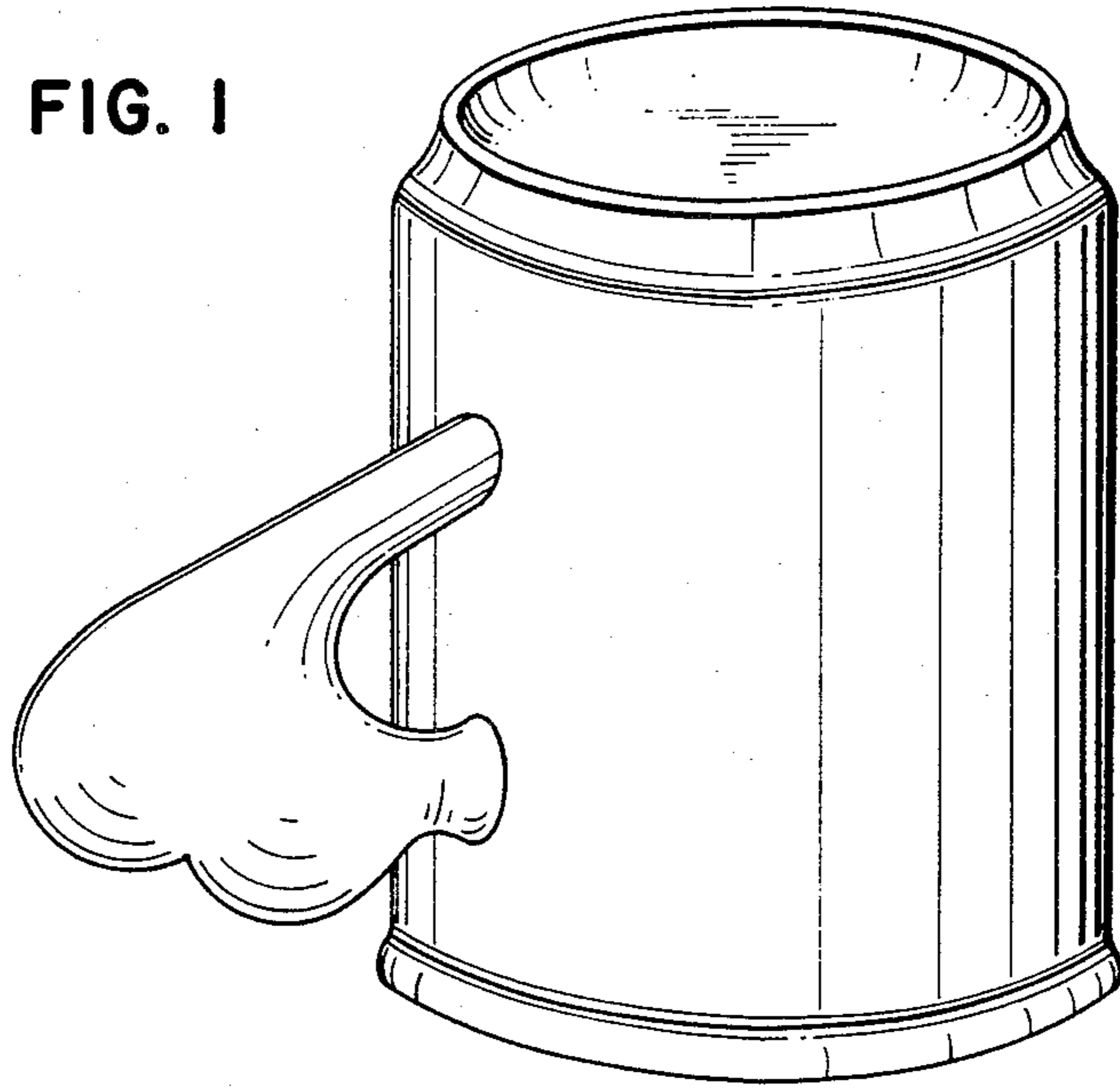


FIG. 2

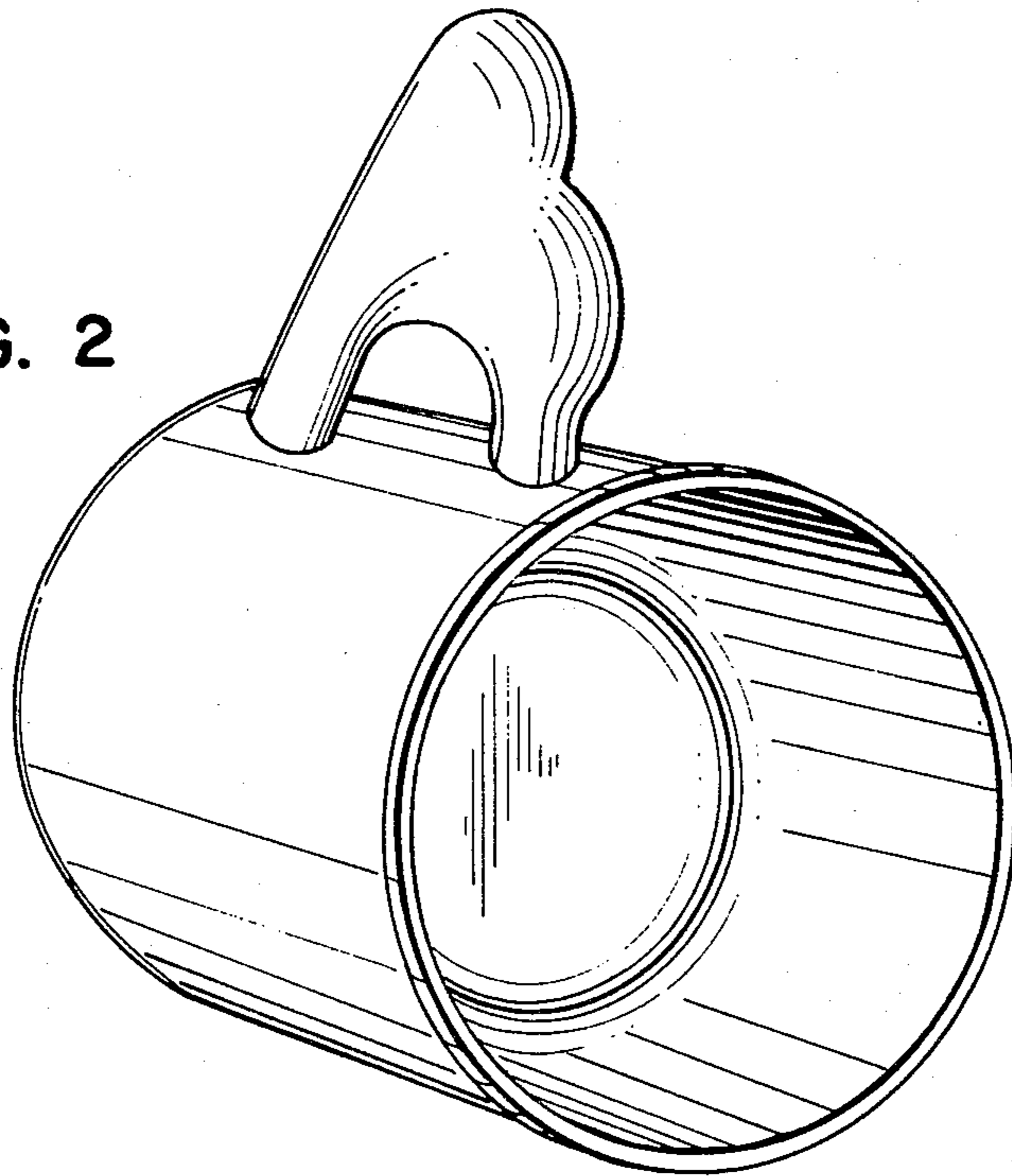


FIG. 3

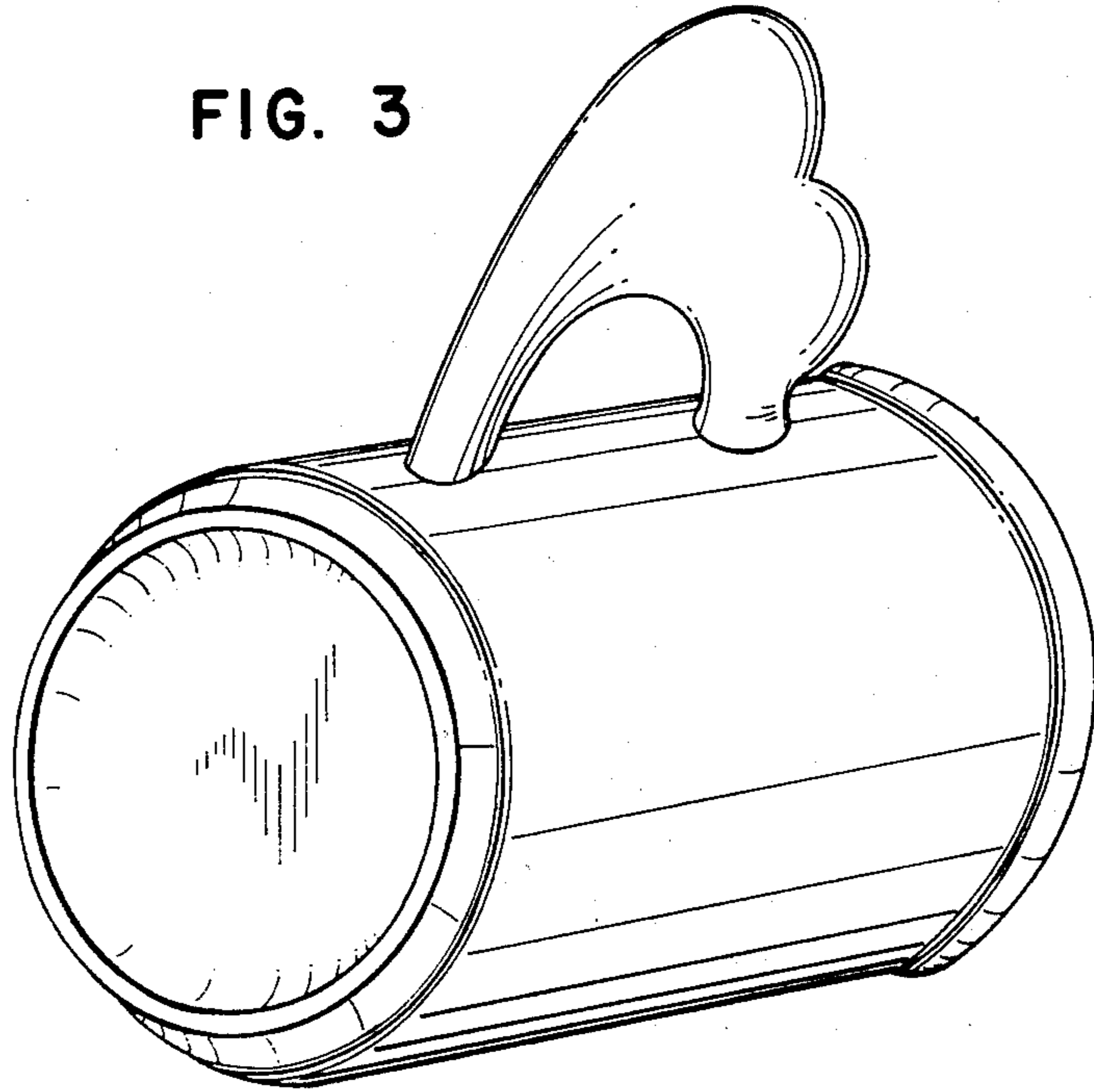


FIG. 4

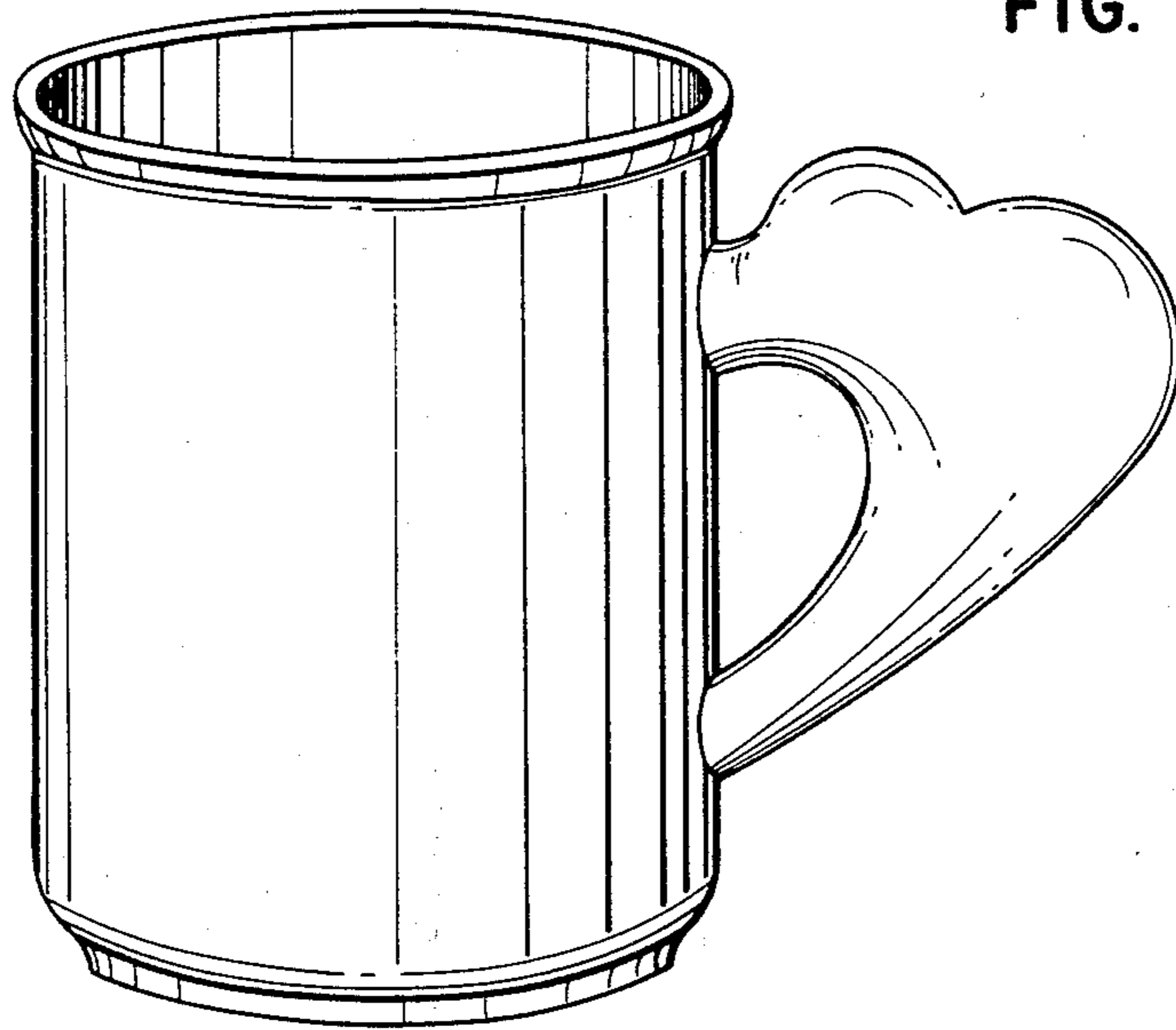


FIG. 5

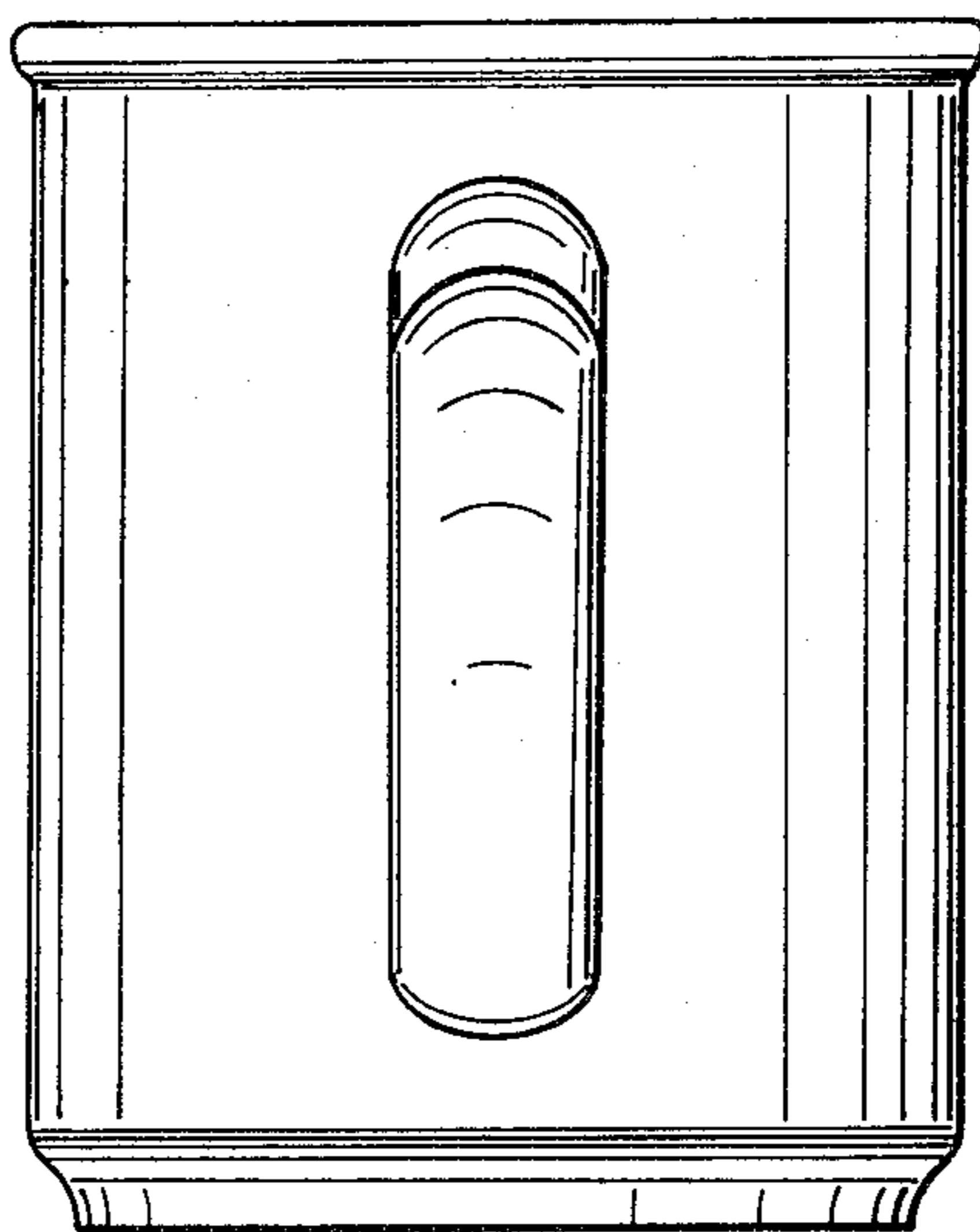


FIG. 6

