

[54] HEADBOARD FOR A BED

[75] Inventor: Kenichirou Yosimoto, Hiroshima, Japan

[73] Assignee: Dream Sogo Kenkyusho, Hiroshima, Japan

[\*\*] Term: 14 Years

[21] Appl. No.: 599,385

[22] Filed: Apr. 12, 1984

[30] Foreign Application Priority Data

Oct. 18, 1983 [JP] Japan ..... 58-045293

[52] U.S. Cl. .... D6/505; D6/393

[58] Field of Search ..... D6/382-395, D6/503-508; 5/53 R, 93 R, 401, 400

[56] References Cited

U.S. PATENT DOCUMENTS

- D. 39,887 3/1909 Naysmith ..... D6/395
- D. 41,995 12/1911 Lyons ..... D6/503 X

- D. 93,440 10/1934 Belgeddes et al. .... D6/507
- D. 106,301 10/1937 Krick ..... D6/505
- D. 278,399 4/1985 Brunner et al. .... D6/505
- D. 280,278 8/1985 Brunner et al. .... D6/508
- 3,154,797 11/1964 Lovette ..... 5/401
- 3,535,717 1/1969 Mulder ..... 5/93 R

Primary Examiner—Bernard Ansher  
Assistant Examiner—Linda Titolo  
Attorney, Agent, or Firm—Flynn, Thiel, Boutell & Tanis

[57] CLAIM

The ornamental design for a headboard for a bed, as shown and described.

DESCRIPTION

FIG. 1 is a front elevational view of a headboard for a bed, embodying my new design;  
FIG. 2 is a top plan view thereof;  
FIG. 3 is a right side elevational view thereof, the left side being a mirror image thereof; and  
FIG. 4 is a top front and right side perspective view thereof.

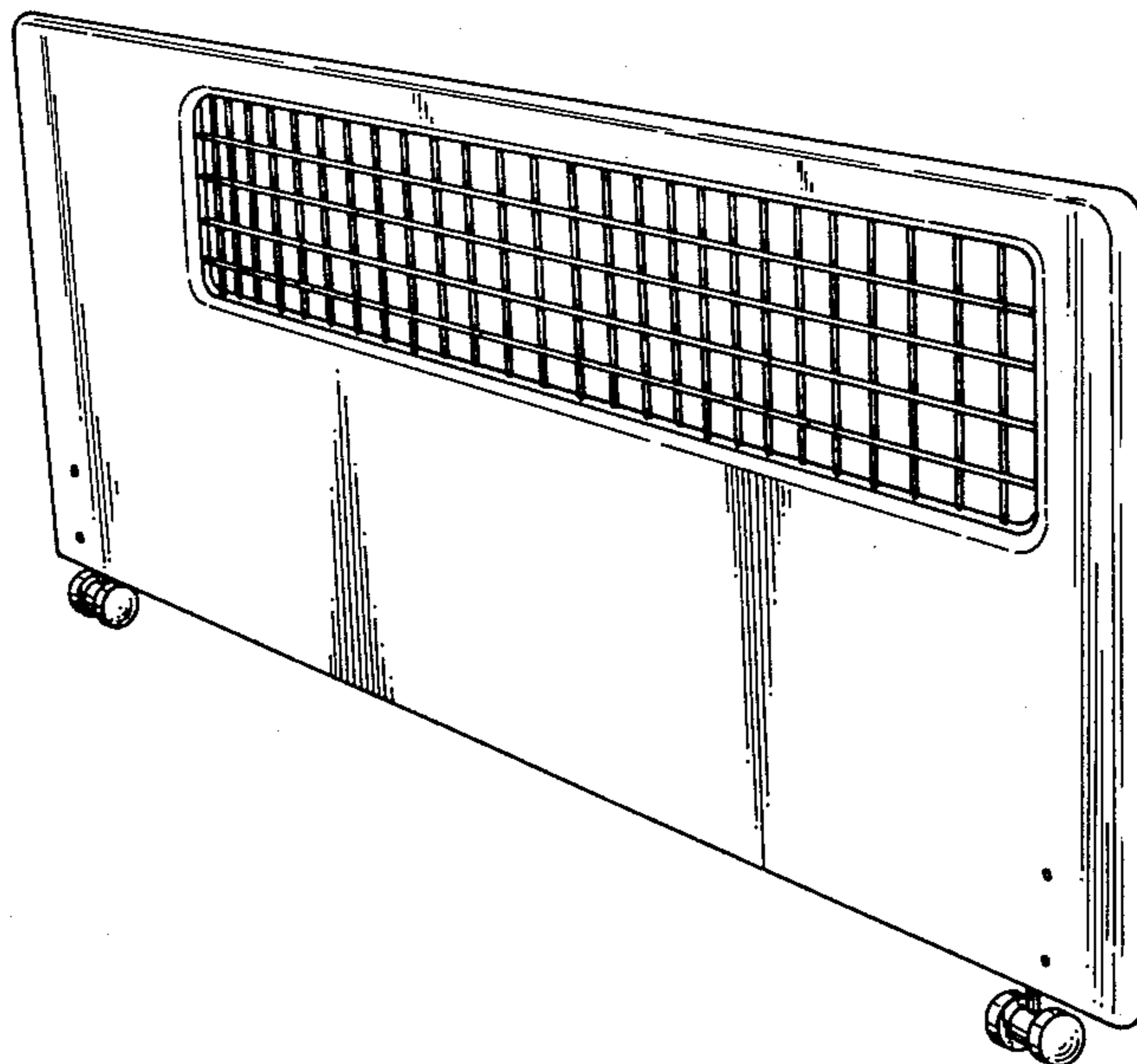


FIG. 1

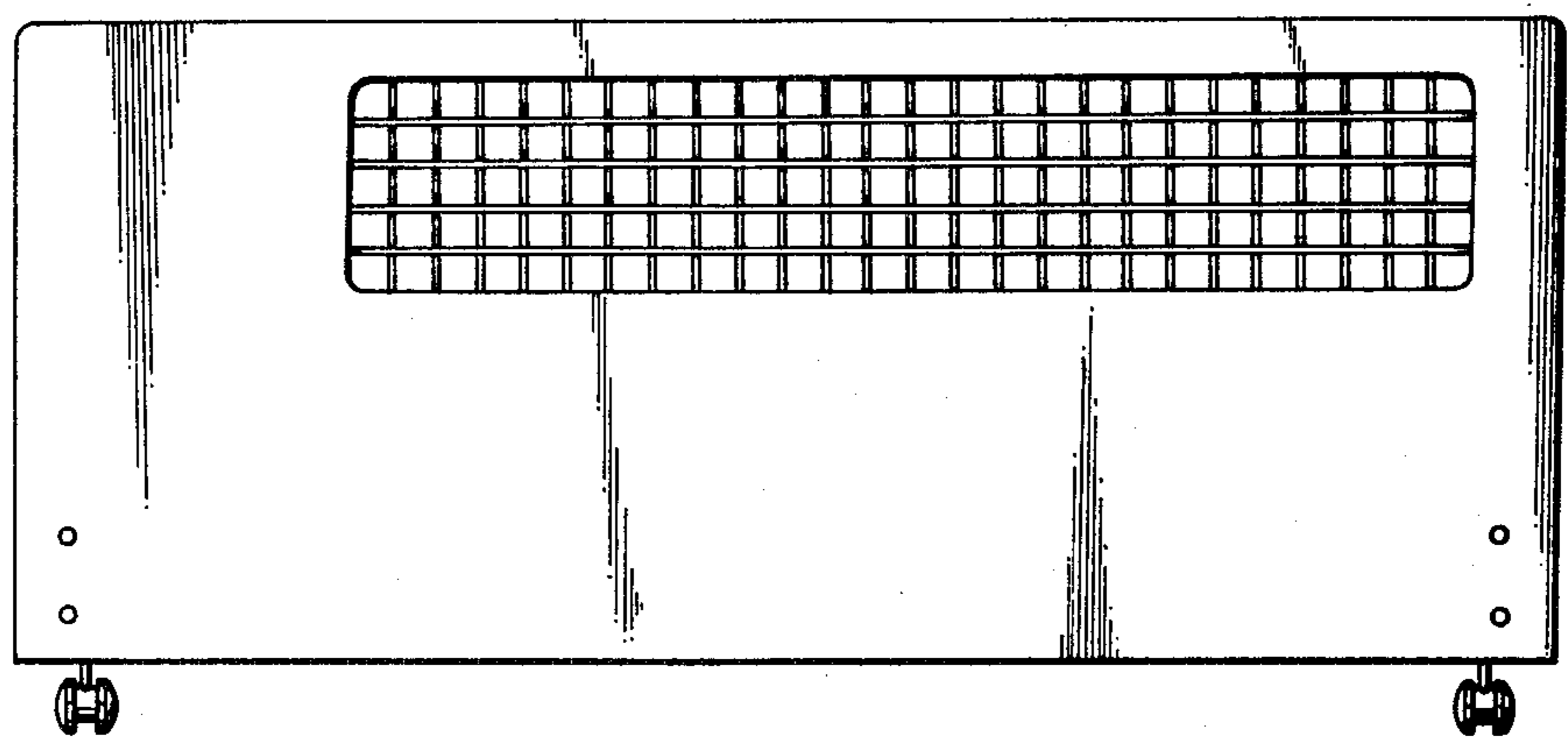


FIG. 2



FIG. 3



FIG. 4

