

[54] BOAT SEAT PEDESTAL

[76] Inventor: James H. Holbrook, Rte. 2, S. Madison, Raymore, Mo. 64083

[**] Term: 14 Years

[21] Appl. No.: 606,168

[22] Filed: May 2, 1984

[52] U.S. Cl. D6/496; D12/317

[58] Field of Search D6/356, 367, 368, 495, D6/496; D12/317; 297/445, 452

[56] References Cited

U.S. PATENT DOCUMENTS

- D. 234,071 1/1975 Booth D6/496
- D. 242,758 12/1976 Strang D6/496
- D. 253,594 12/1979 Antenbring D6/496 X
- D. 277,580 2/1985 Wiseman D6/496 X

Primary Examiner—Bruce W. Dunkins
Attorney, Agent, or Firm—Kokjer, Kircher, Bradley, Wharton, Bowman & Johnson

[57] CLAIM

The ornamental design for a boat seat pedestal, as shown and described.

DESCRIPTION

FIG. 1 is a perspective view of a boat seat pedestal in the raised position and embodying my new design; FIG. 2 is a similar view thereof in a collapsed position; FIG. 3 is a front elevational view thereof; FIG. 4 is a top plan view of FIG. 3; FIG. 5 is a left end elevational view thereof; and FIG. 6 is a right end elevational view thereof. The side of the boat seat pedestal not shown is a mirror image of the side shown in FIG. 3.

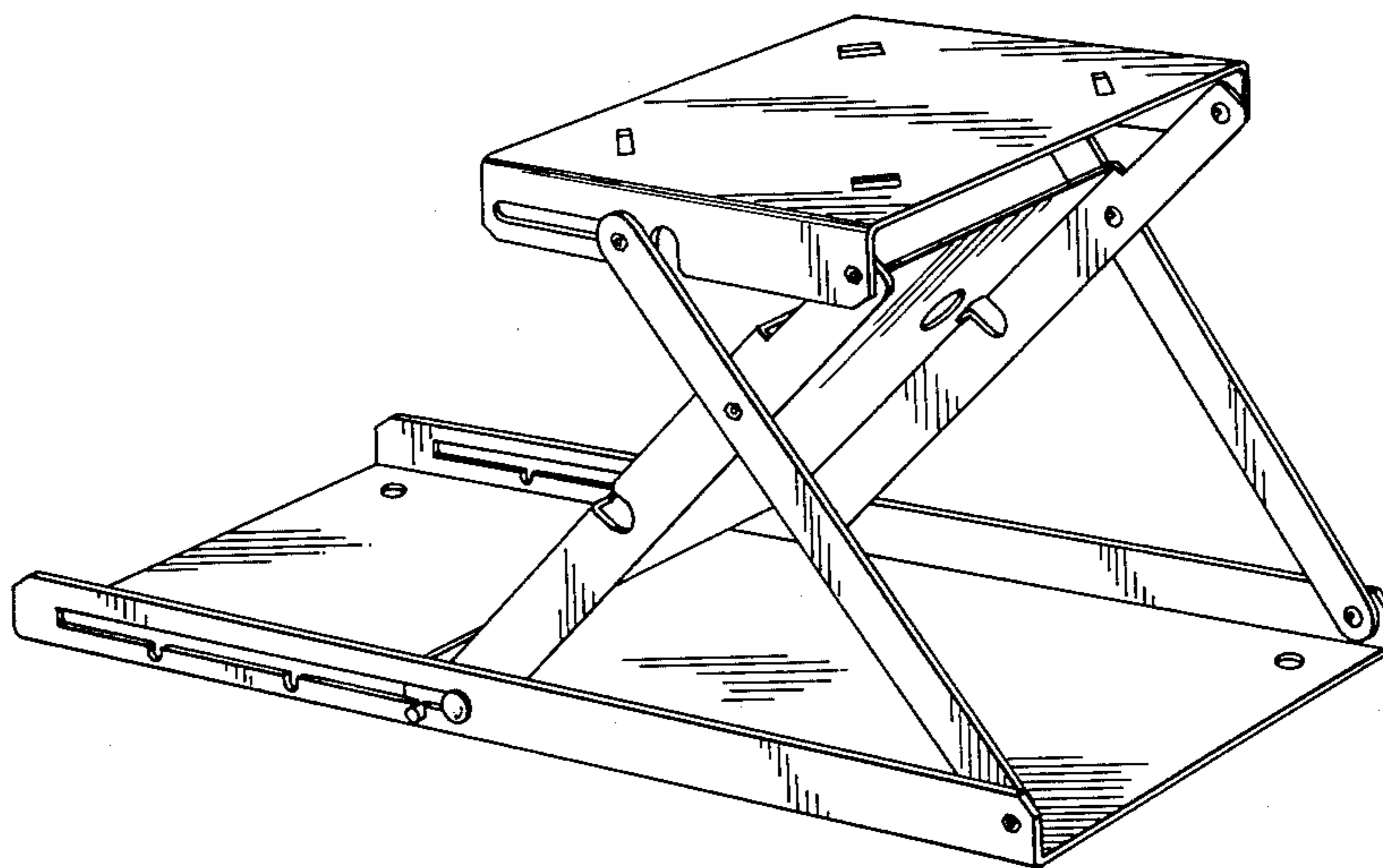


Fig. 1.

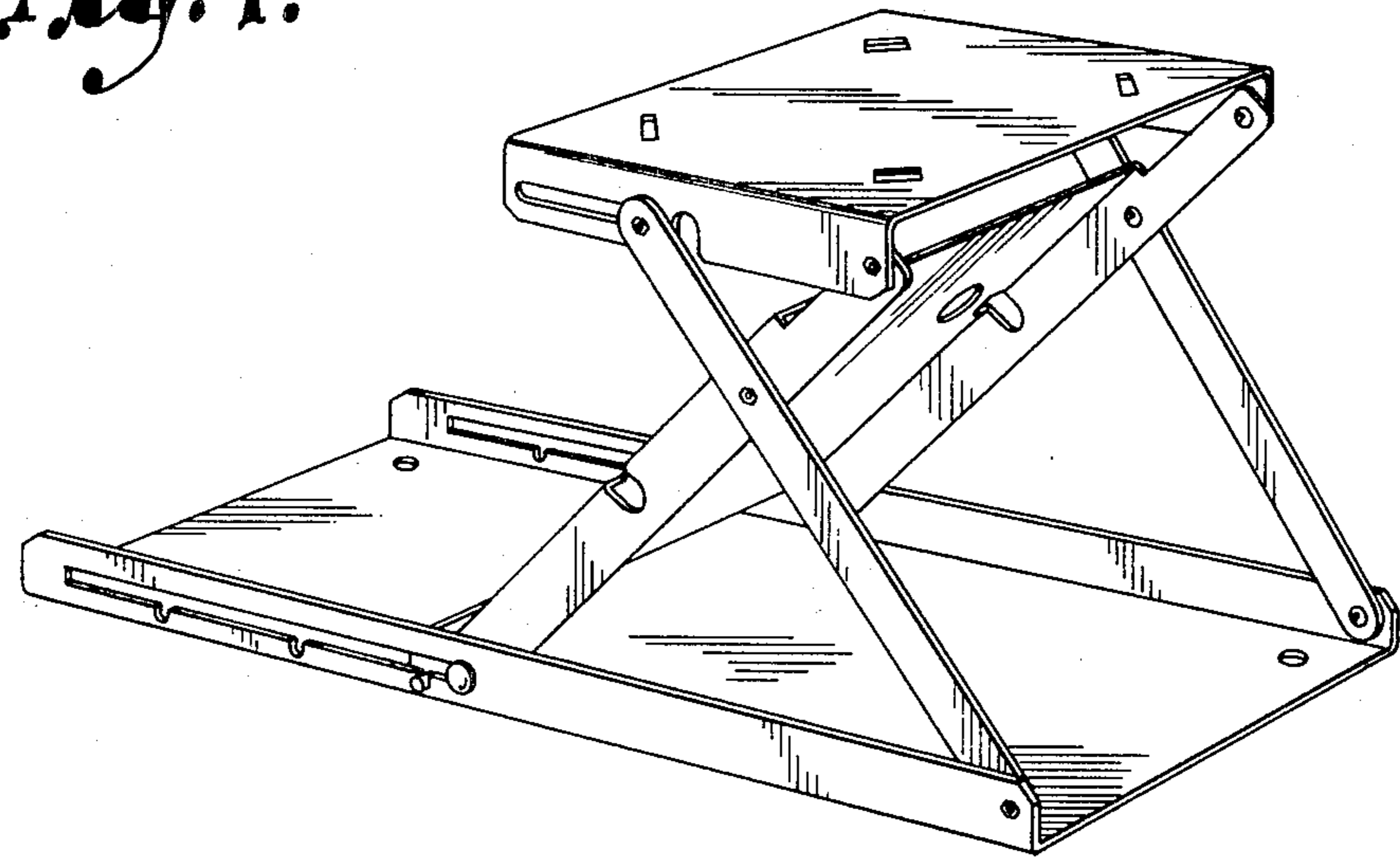


Fig. 2.

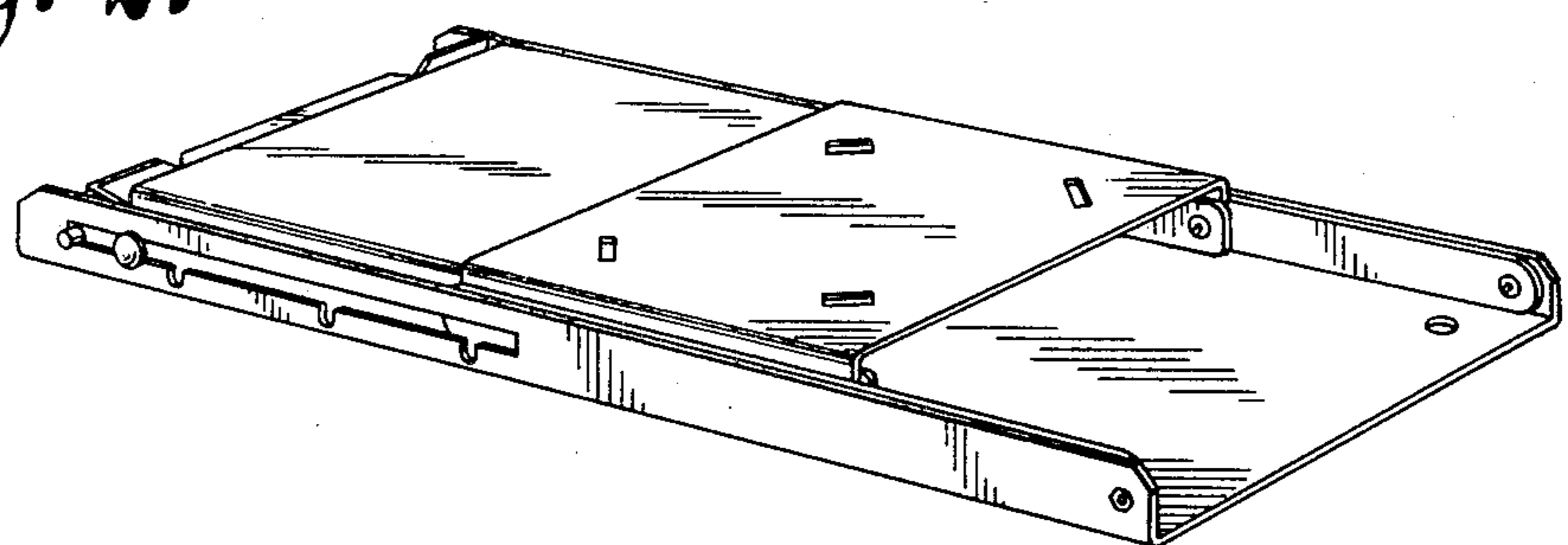
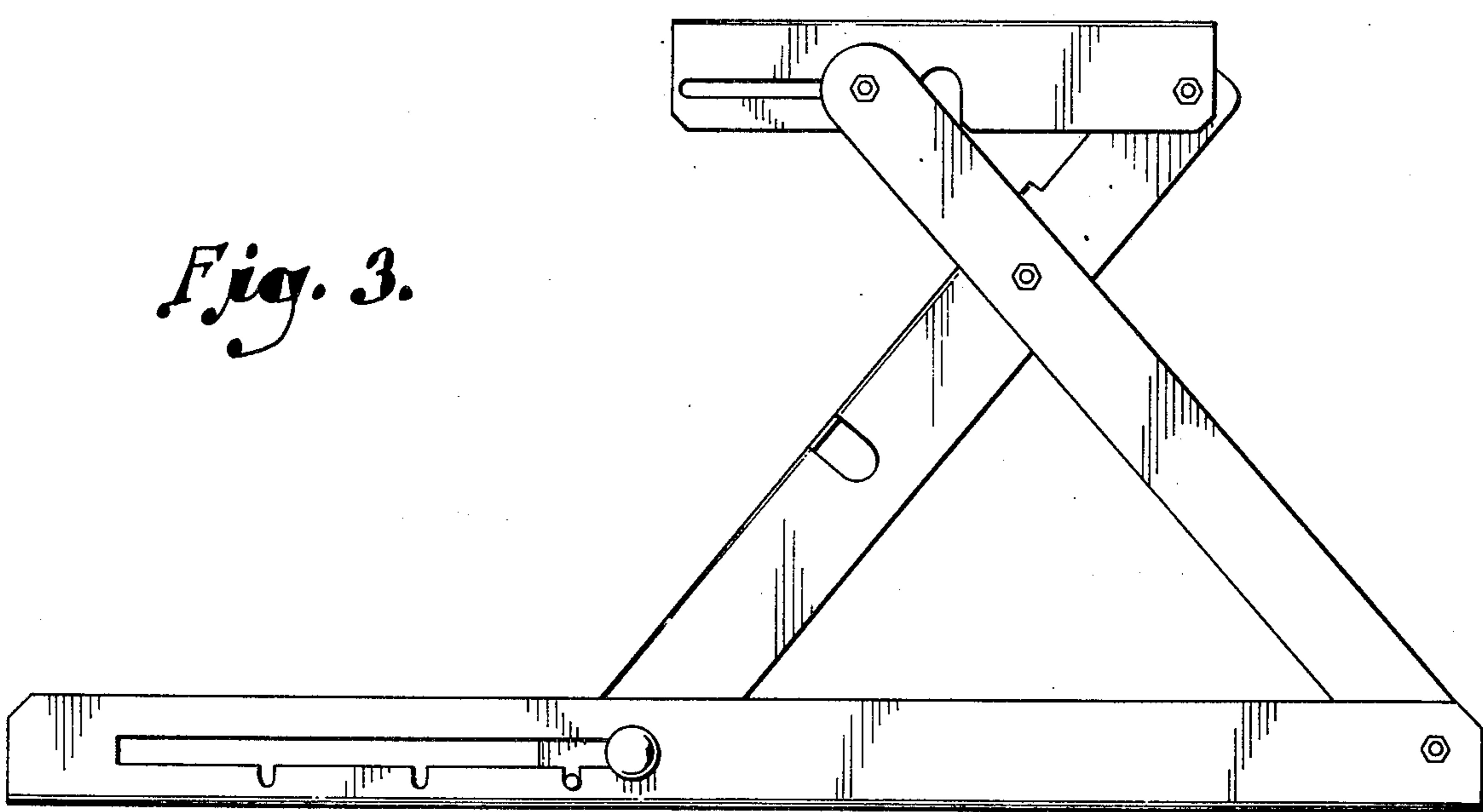


Fig. 3.



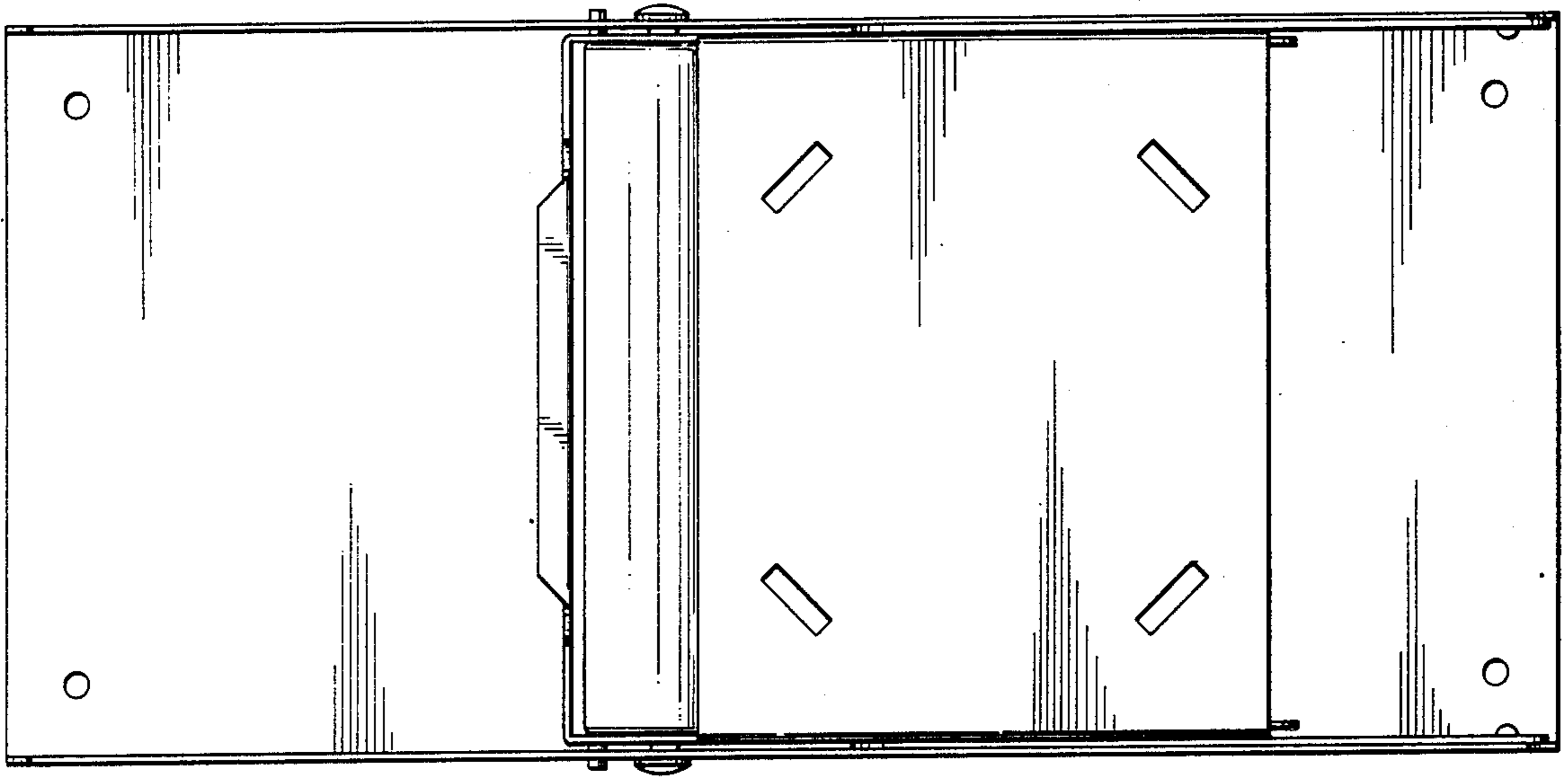


Fig. 4.

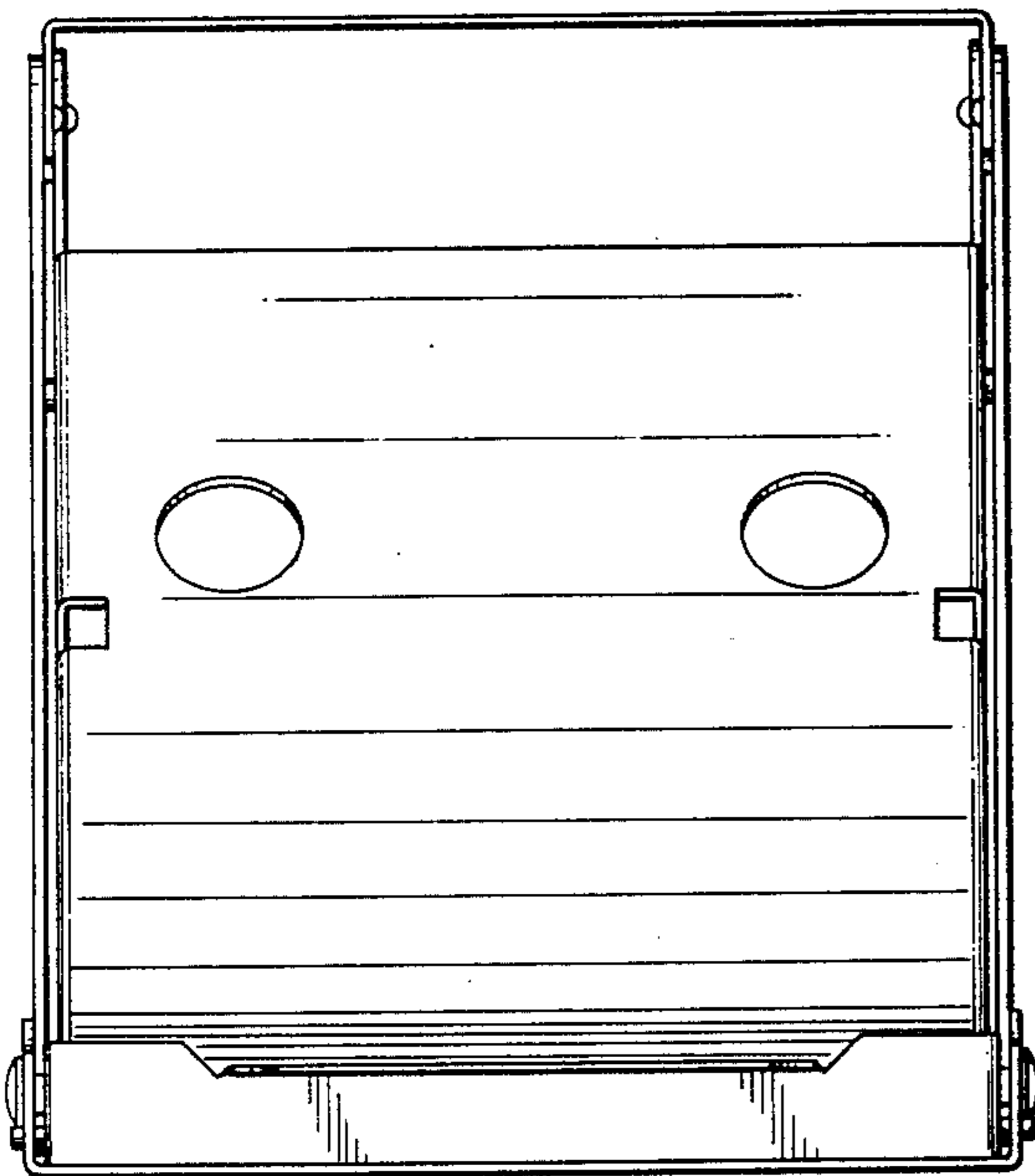


Fig. 5.

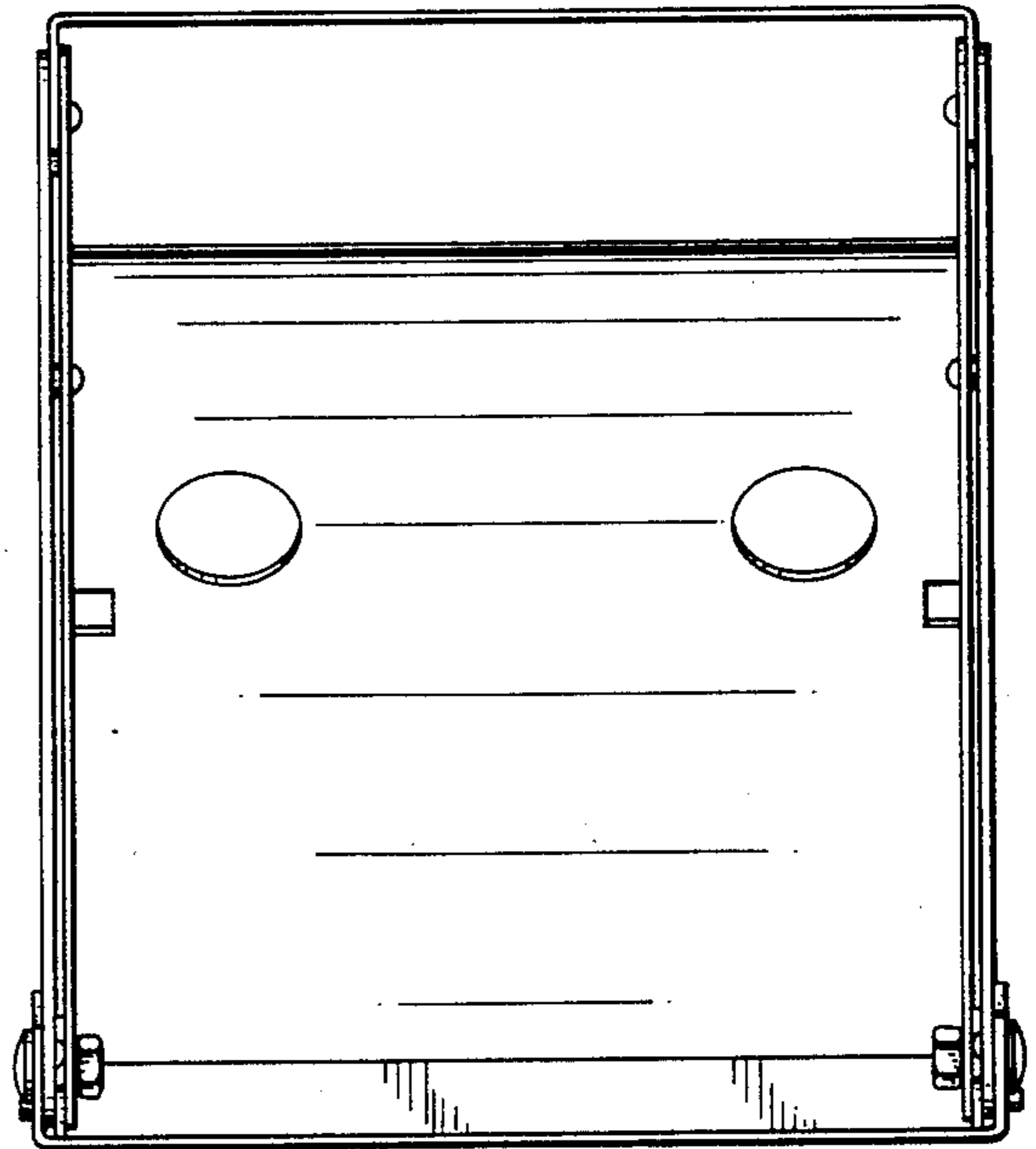


Fig. 6.