

[54] STAND FOR A DESK TOP PRINTER OR THE LIKE

[75] Inventor: Michael J. Schriner, Bay Village, Ohio

[73] Assignee: Data Grip, Inc., Cleveland, Ohio

[\*\*] Term: 14 Years

[21] Appl. No.: 682,307

[22] Filed: Dec. 17, 1984

[52] U.S. Cl. .... D6/462

[58] Field of Search ..... D6/449, 462, 466; 248/153, 465.1, 175, 460, 441.1, 174, 456; 211/13

[56] References Cited

U.S. PATENT DOCUMENTS

3,984,074 10/1976 Forman et al. .... 248/175 X

4,044,980 8/1977 Cummins ..... 248/460 X  
4,073,460 2/1978 Dale ..... 248/441.1

FOREIGN PATENT DOCUMENTS

2551466 5/1977 Fed. Rep. of Germany ... 248/441.1  
19935 of 1912 United Kingdom ..... 248/174

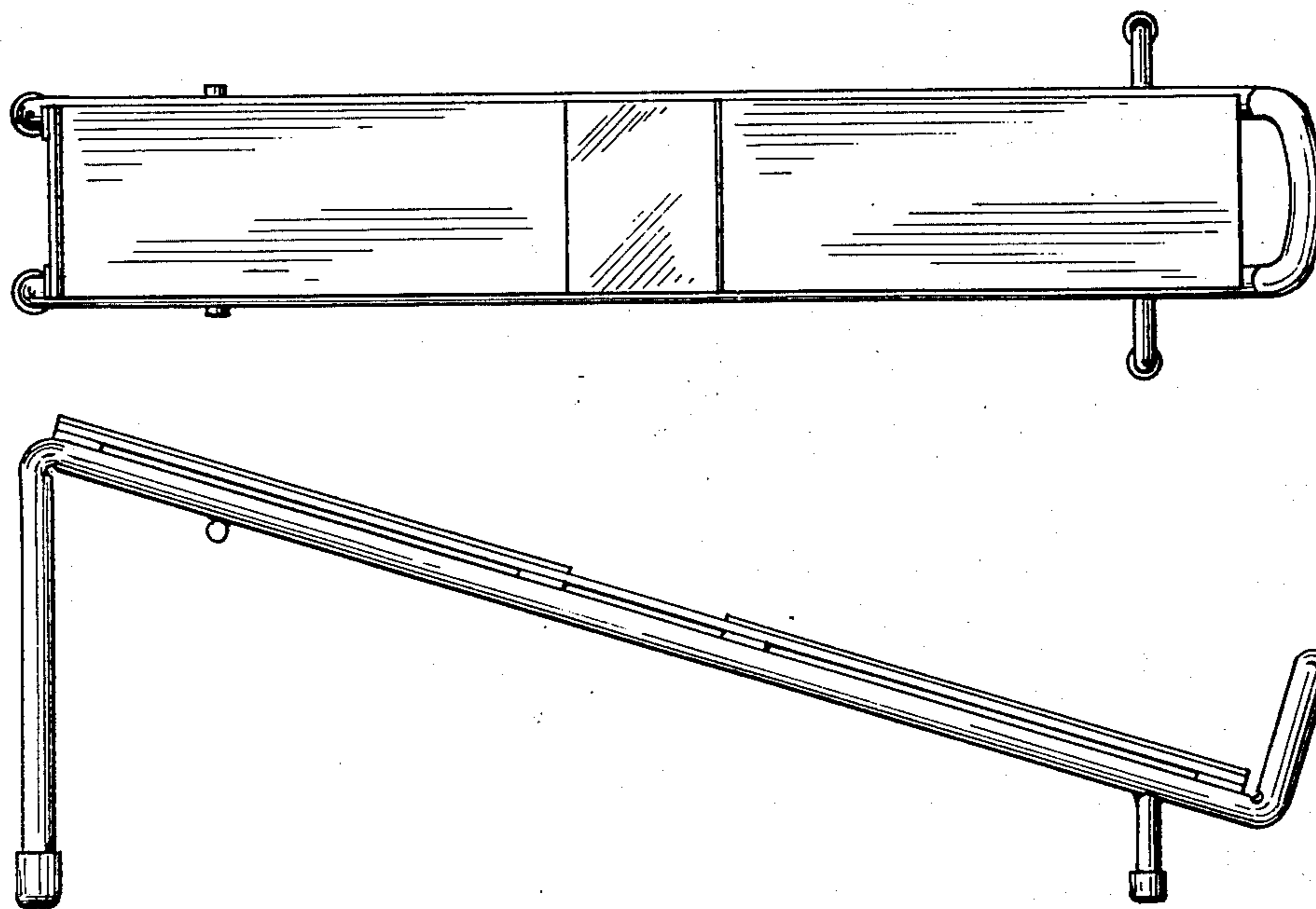
Primary Examiner—Carmen H. Vales

[57] CLAIM

The ornamental design for a stand for a desk top printer or the like, as shown and described.

DESCRIPTION

FIG. 1 is a top plan view of a stand for a desk top printer or the like showing my new design; FIG. 2 is a side elevational view thereof; FIG. 3 is a bottom plan view thereof; FIG. 4 is a rear elevational view thereof; and FIG. 5 is a front elevational view thereof.



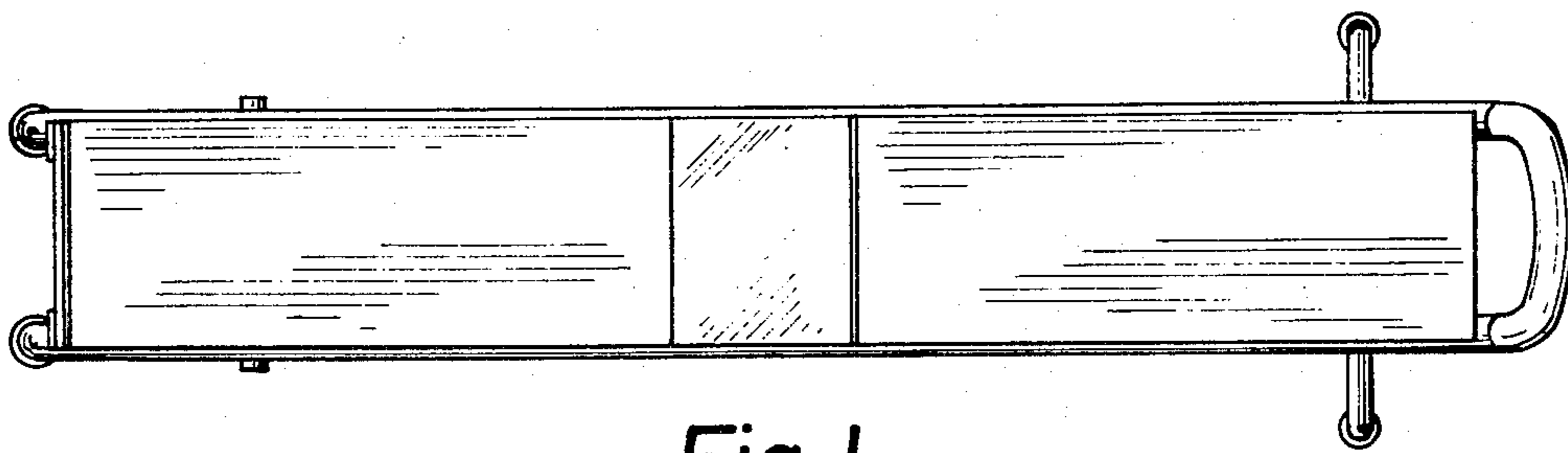


Fig. 1

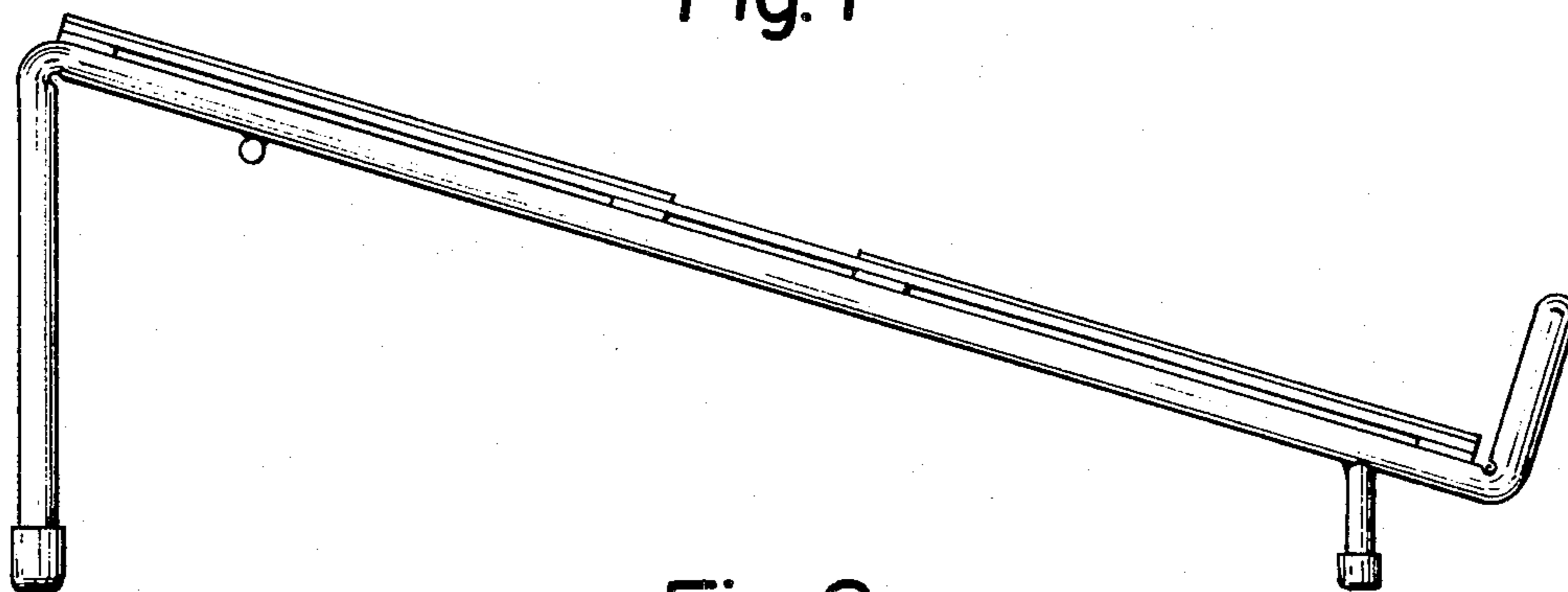


Fig. 2

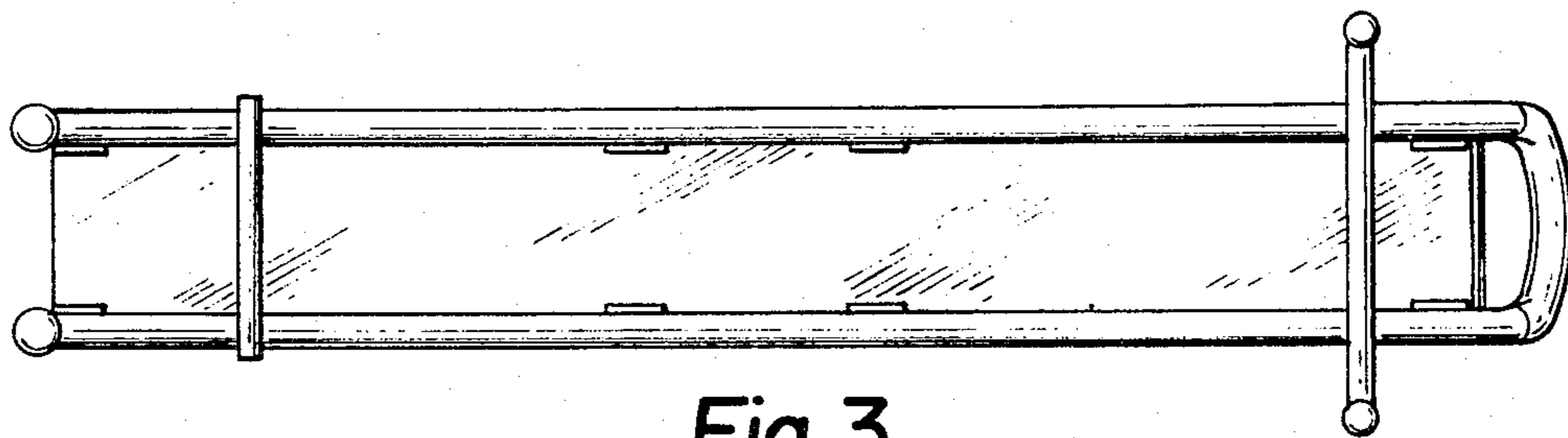


Fig. 3

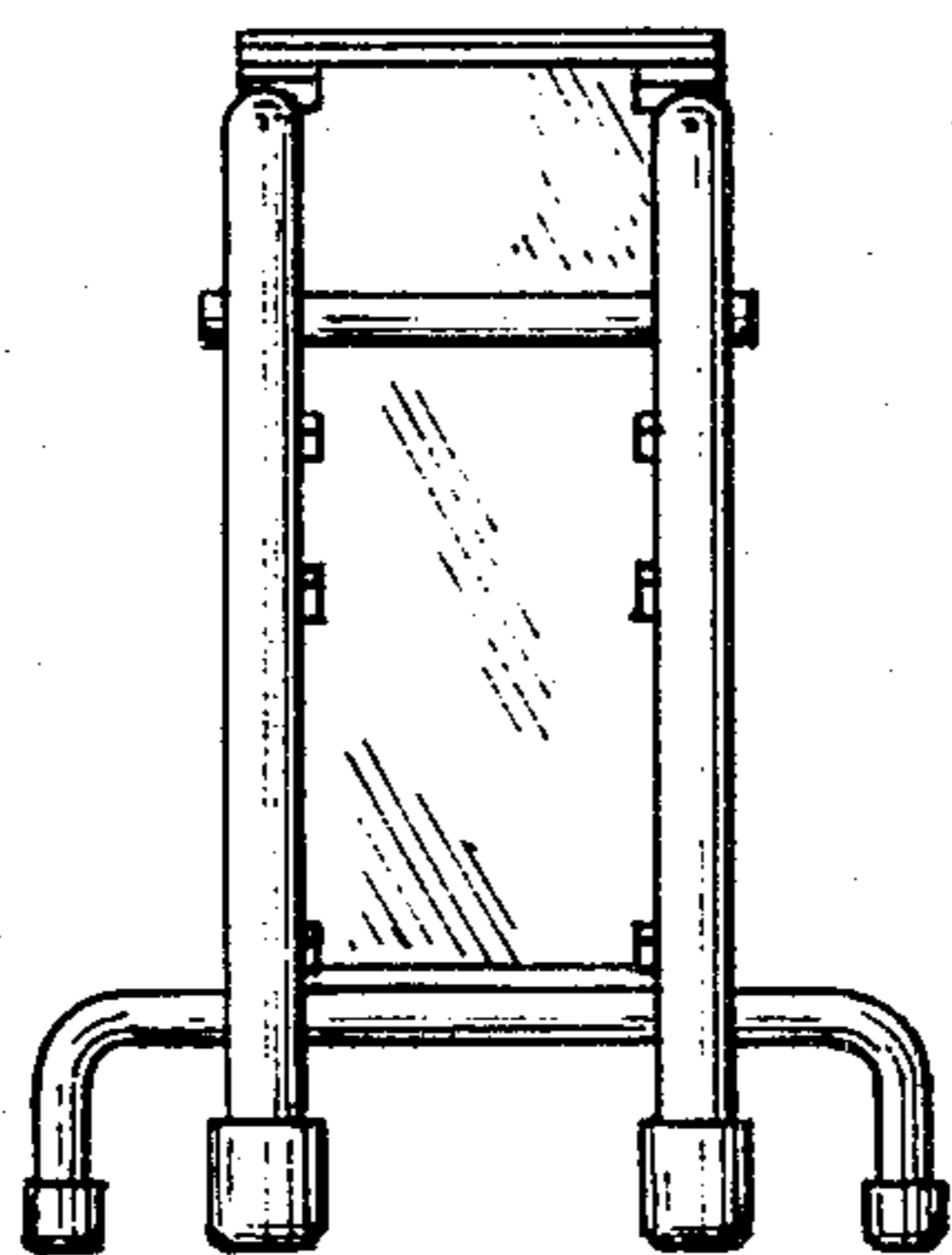


Fig. 4

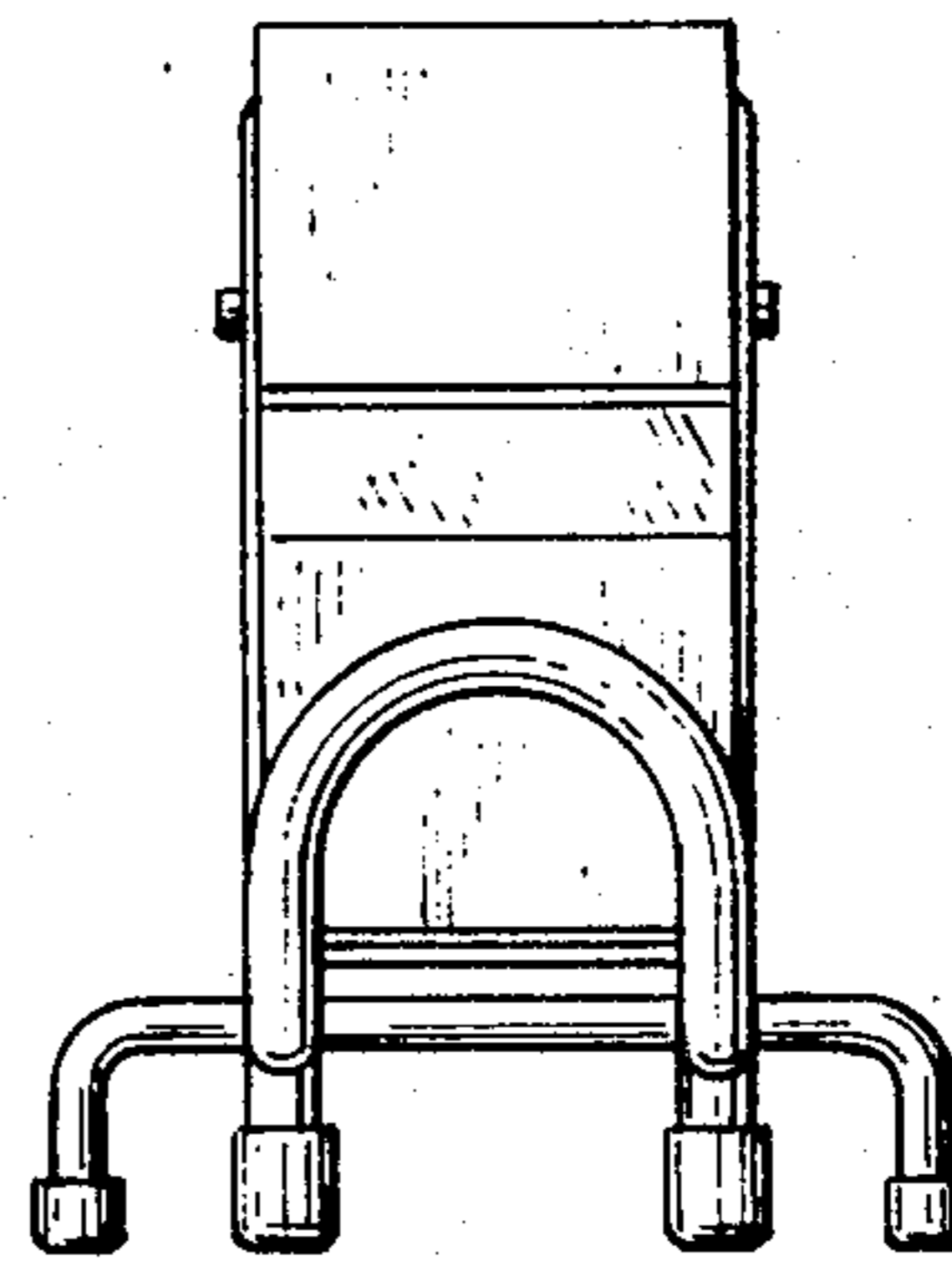


Fig. 5